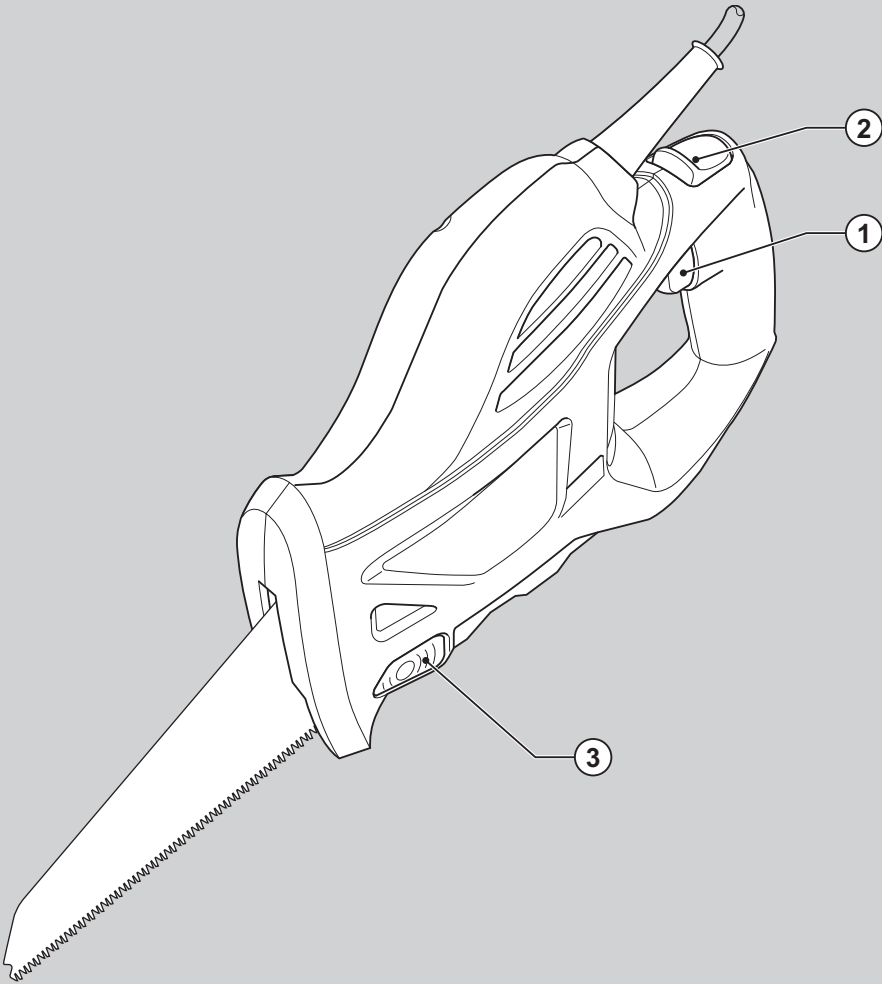




BLACK & DECKER®

www.blackanddecker.co.uk

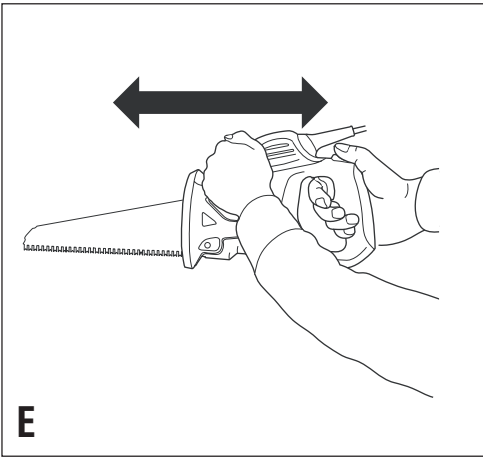
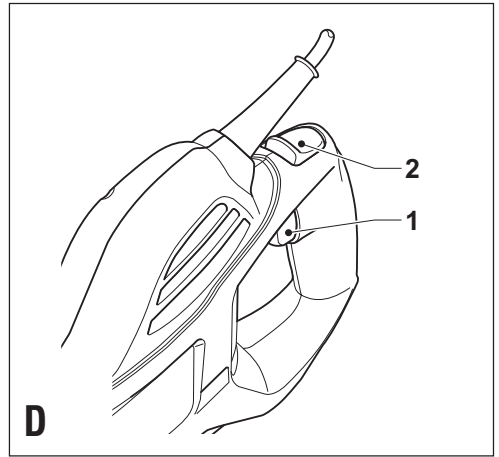
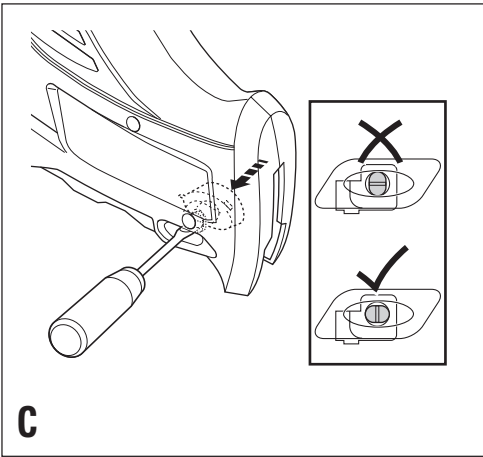
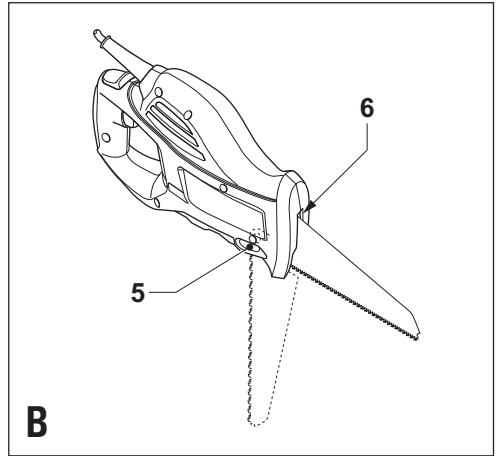
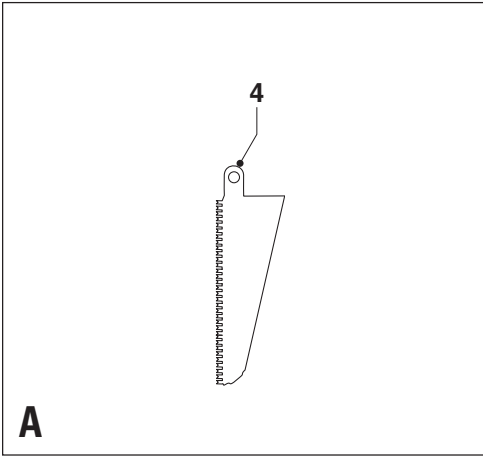


UK

Ireland

Australia

New Zealand



Intended use

Your Black & Decker saw has been designed for sawing wood and plastics. This tool is intended for consumer use only.

General safety rules

Warning! Read all instructions. Failure to follow all instructions listed below may result in electric shock, fire and/or serious injury. The term “power tool” in all of the warnings listed below refers to your mains operated (corded) power tool or battery operated (cordless) power tool.
SAVE THESE INSTRUCTIONS.

1. Work area

- a. **Keep work area clean and well lit.** Cluttered and dark areas invite accidents.
- b. **Do not operate power tools in explosive atmospheres, such as in the presence of flammable liquids, gases or dust.** Power tools create sparks which may ignite the dust or fumes.
- c. **Keep children and bystanders away while operating a power tool.** Distractions can cause you to lose control.

2. Electrical safety

- a. **Power tool plugs must match the outlet. Never modify the plug in any way. Do not use any adapter plugs with earthed (grounded) power tools.** Unmodified plugs and matching outlets will reduce risk of electric shock.
- b. **Avoid body contact with earthed or grounded surfaces such as pipes, radiators, ranges and refrigerators.** There is an increased risk of electric shock if your body is earthed or grounded.
- c. **Do not expose power tools to rain or wet conditions.** Water entering a power tool will increase the risk of electric shock.
- d. **Do not abuse the cord. Never use the cord for carrying, pulling or unplugging the power tool. Keep cord away from heat, oil, sharp edges or moving parts.** Damaged or entangled cords increase the risk of electric shock.
- e. **When operating a power tool outdoors, use an extension cord suitable for outdoor use.** Use of a cord suitable for outdoor use reduces the risk of electric shock.

3. Personal safety

- a. **Stay alert, watch what you are doing and use common sense when operating a power tool. Do not use a power tool while you are tired or under the influence of drugs, alcohol or medication.** A moment of inattention while operating power tools may result in serious personal injury.

b. Use safety equipment. Always wear eye protection.

Safety equipment such as dust mask, non-skid safety shoes, hard hat, or hearing protection used for appropriate conditions will reduce personal injuries.

c. Avoid accidental starting. Ensure the switch is in the off position before plugging in.

Carrying power tools with your finger on the switch or plugging in power tools that have the switch on invites accidents.

d. Remove any adjusting key or wrench before turning the power tool on.

A wrench or a key left attached to a rotating part of the power tool may result in personal injury.

e. Do not overreach. Keep proper footing and balance at all times.

This enables better control of the power tool in unexpected situations.

f. Dress properly. Do not wear loose clothing or jewellery. Keep your hair, clothing and gloves away from moving parts.

Loose clothes, jewellery or long hair can be caught in moving parts.

g. If devices are provided for the connection of dust extraction and collection facilities, ensure these are connected and properly used.

Use of these devices can reduce dust related hazards.

4. Power tool use and care

a. Do not force the power tool. Use the correct power tool for your application.

The correct power tool will do the job better and safer at the rate for which it was designed.

b. Do not use the power tool if the switch does not turn it on and off.

Any power tool that cannot be controlled with the switch is dangerous and must be repaired.

c. Disconnect the plug from the power source before making any adjustments, changing accessories, or storing power tools.

Such preventive safety measures reduce the risk of starting the power tool accidentally.

d. Store idle power tools out of the reach of children and do not allow persons unfamiliar with the power tool or these instructions to operate the power tool.

Power tools are dangerous in the hands of untrained users.

e. Maintain power tools. Check for misalignment or binding of moving parts, breakage of parts and any other condition that may affect the power tools operation. If damaged, have the power tool repaired before use.

Many accidents are caused by poorly maintained power tools.

f. Keep cutting tools sharp and clean.

Properly maintained cutting tools with sharp cutting edges are less likely to bind and are easier to control.

- g. Use the power tool, accessories and tool bits etc., in accordance with these instructions and in the manner intended for the particular type of power tool, taking into account the working conditions and the work to be performed.** Use of the power tool for operations different from those intended could result in a hazardous situation.

5. Service

- a. Have your power tool serviced by a qualified repair person using only identical replacement parts.** This will ensure that the safety of the power tool is maintained.

Additional safety instructions for hand-held saws

- ◆ **Warning!** Contact with or inhalation of dusts arising from cutting applications may endanger the health of the operator and possible bystanders. Wear a dust mask specifically designed for protection against dust and fumes and ensure that persons within or entering the work area are also protected.
- ◆ Do not use the tool for purposes not intended, for example, do not cut tree limbs or logs.
- ◆ Always use the appropriate type of saw blade for the workpiece material and type of cut.
- ◆ Only use saw blades in perfect condition.
- ◆ Always switch the tool off and wait for the saw blade to come to a complete standstill before putting the tool down.
- ◆ When not in use, the tool should be put down on its side.
- ◆ Keep your hands well clear of the saw blade while working.
- ◆ Whenever possible, use clamps or a vice to secure the workpiece.
- ◆ Before use, make sure that the cutting area is free of obstacles, especially on the reverse side of the cut.
- ◆ Before sawing in walls or floors, be aware of the location of hidden pipes and wiring.
- ◆ Do not use the tool while in a tree, on a ladder or on any other unstable surface.

Electrical safety



This tool is double insulated; therefore no earth wire is required. Always check that the power supply corresponds to the voltage on the rating plate.

- ◆ This appliance is not intended for use by young or infirm persons without supervision. Children must be supervised to ensure they do not play with the appliance.
- ◆ If the supply cord is damaged, it must be replaced by the manufacturer or an authorised Black & Decker Service Centre in order to avoid a hazard.

Features

This tool includes some or all of the following features.

1. Variable speed switch
2. Lock-off button
3. Blade release button

Assembly

Warning! Before assembly, make sure that the tool is switched off and unplugged.

Fitting and removing a saw blade (fig. A - C)

Saw blade

4. Large capacity blade

Fitting

- ◆ Place the blade over the location pin (5).
- ◆ Rotate the blade upward through 90° until it is fully located in the saw blade slot (6) and the location pin is in the locked position.
- ◆ Make sure the blade is securely fitted by trying to remove it without depressing the blade release button (3).

If you are unable to fit the blade, check if the location pin is in the correct position as shown in fig. C. If it is not, keep the blade release button depressed and use a screwdriver to turn the location pin into the correct position.

Removing

- ◆ Keep the blade release button (3) depressed and rotate the blade downward through 90°.
- ◆ Take the blade sideways off the location pin and slide it out of the tool.
- ◆ Release the blade release button.

Use

Warning! Let the tool work at its own pace. Do not overload.

- ◆ Do not touch the saw blade immediately after the operation as it might be hot.

Switching on and off (fig. D)

- ◆ To switch the tool on, push the two lock-off button (2) into the unlock position and squeeze the variable speed switch (1).
- ◆ To switch the tool off, release the variable speed switch.

Sawing (fig. E)

- ◆ If possible, always hold the tool with both hands.
- ◆ Let the blade run freely for a few seconds before starting the cut.

- ◆ Apply only a gentle pressure to the tool while performing the cut.
- ◆ Use the same back and forth movement you would employ with a normal hand saw. This enables a quicker and cleaner cut.

Hints for optimum use

Sawing wood

- ◆ Fit a large capacity blade (4).
- ◆ Clamp the workpiece securely and remove all nails and metal objects.
- ◆ When splintering is to be minimised, e.g. when cutting laminates, clamp a piece of scrap wood or hardboard to both sides of the workpiece and saw through this sandwich.

Maintenance

Your Black & Decker tool has been designed to operate over a long period of time with a minimum of maintenance. Continuous satisfactory operation depends upon proper tool care and regular cleaning.

Warning! Before performing any maintenance, switch off and unplug the tool.

- ◆ Regularly clean the ventilation slots in your tool using a soft brush or dry cloth.
- ◆ Regularly clean the motor housing using a damp cloth. Do not use any abrasive or solvent-based cleaner.

Protecting the environment



Separate collection. This product must not be disposed of with normal household waste.

Should you find one day that your Black & Decker product needs replacement, or if it is of no further use to you, do not dispose of it with household waste. Make this product available for separate collection.



Separate collection of used products and packaging allows materials to be recycled and used again. Re-use of recycled materials helps prevent environmental pollution and reduces the demand for raw materials.

Local regulations may provide for separate collection of electrical products from the household, at municipal waste sites or by the retailer when you purchase a new product.

Black & Decker provides a facility for the collection and recycling of Black & Decker products once they have reached the end of their working life. To take advantage of this service please return your product to any authorised repair agent who will collect them on our behalf.

You can check the location of your nearest authorised repair agent by contacting your local Black & Decker office at the address indicated in this manual. Alternatively, a list of authorised Black & Decker repair agents and full details of our after-sales service and contacts are available on the Internet at: www.2helpU.com

Technical data

	KS880EC	
Voltage	V _{AC}	230
Power input	W	400
Number of strokes	min ⁻¹	0 - 4,600
Stroke length	mm	10
Max. depth of cut	mm	
Wood		100
Plastic pipe		∅ 50
Weight	kg	1.9

EC declaration of conformity

KS880EC

Black & Decker declares that these products conform to: 98/37/EC, 89/336/EEC, EN 60745, EN 55014, EN 61000

L_{pA} (sound pressure) 84 dB(A), L_{WA} (acoustic power) 95 dB(A), hand/arm weighted vibration 16.6 m/s²

K_{pA} (sound pressure uncertainty) 3 dB(A),

K_{WA} (acoustic power uncertainty) 3 dB(A)

Kevin Hewitt
Director of Consumer Engineering
Spennymoor, County Durham DL16 6JG,
United Kingdom
1-11-2005

Guarantee

Black & Decker is confident of the quality of its products and offers an outstanding guarantee. This guarantee statement is in addition to and in no way prejudices your statutory rights. The guarantee is valid within the territories of the Member States of the European Union and the European Free Trade Area.

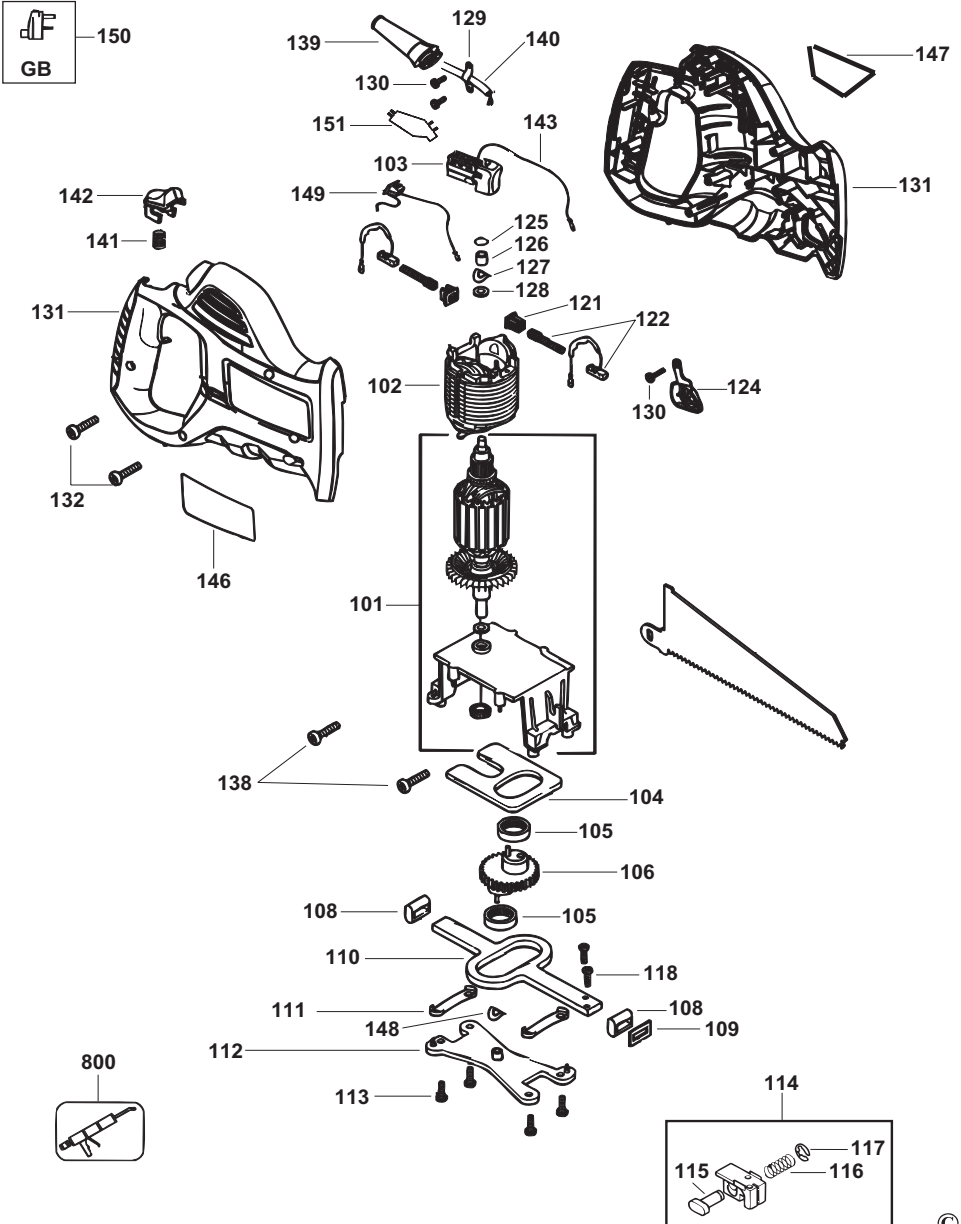
If a Black & Decker product becomes defective due to faulty materials, workmanship or lack of conformity, within 24 months from the date of purchase, Black & Decker guarantees to replace defective parts, repair products subjected to fair wear and tear or replace such products to ensure minimum inconvenience to the customer unless:

- ◆ The product has been used for trade, professional or hire purposes;
- ◆ The product has been subjected to misuse or neglect;
- ◆ The product has sustained damage through foreign objects, substances or accidents;
- ◆ Repairs have been attempted by persons other than authorised repair agents or Black & Decker service staff.

To claim on the guarantee, you will need to submit proof of purchase to the seller or an authorised repair agent. You can check the location of your nearest authorised repair agent by contacting your local Black & Decker office at the address indicated in this manual. Alternatively, a list of authorised Black & Decker repair agents and full details of our after-sales service and contacts are available on the Internet at:

www.2helpU.com

Please visit our website **www.blackanddecker.co.uk** to register your new Black & Decker product and to be kept up to date on new products and special offers. Further information on the Black & Decker brand and our range of products is available at **www.blackanddecker.co.uk**



Australia

Black & Decker (Australia) Pty. Ltd. Tel. 03-8720 5100
20 Fletcher Road, Mooroolbark, Fax 03-9727 5940
Victoria, 3138

New Zealand

Black & Decker Tel. 09 579 7600
81 Hugo Johnston Drive Fax 09 579 8200
Penrose, Auckland, New Zealand

United Kingdom

Black & Decker Tel. 01753 511234
210 Bath Road Fax 01753 551155
Slough, Berkshire SL1 3YD Helpline 01753 574277