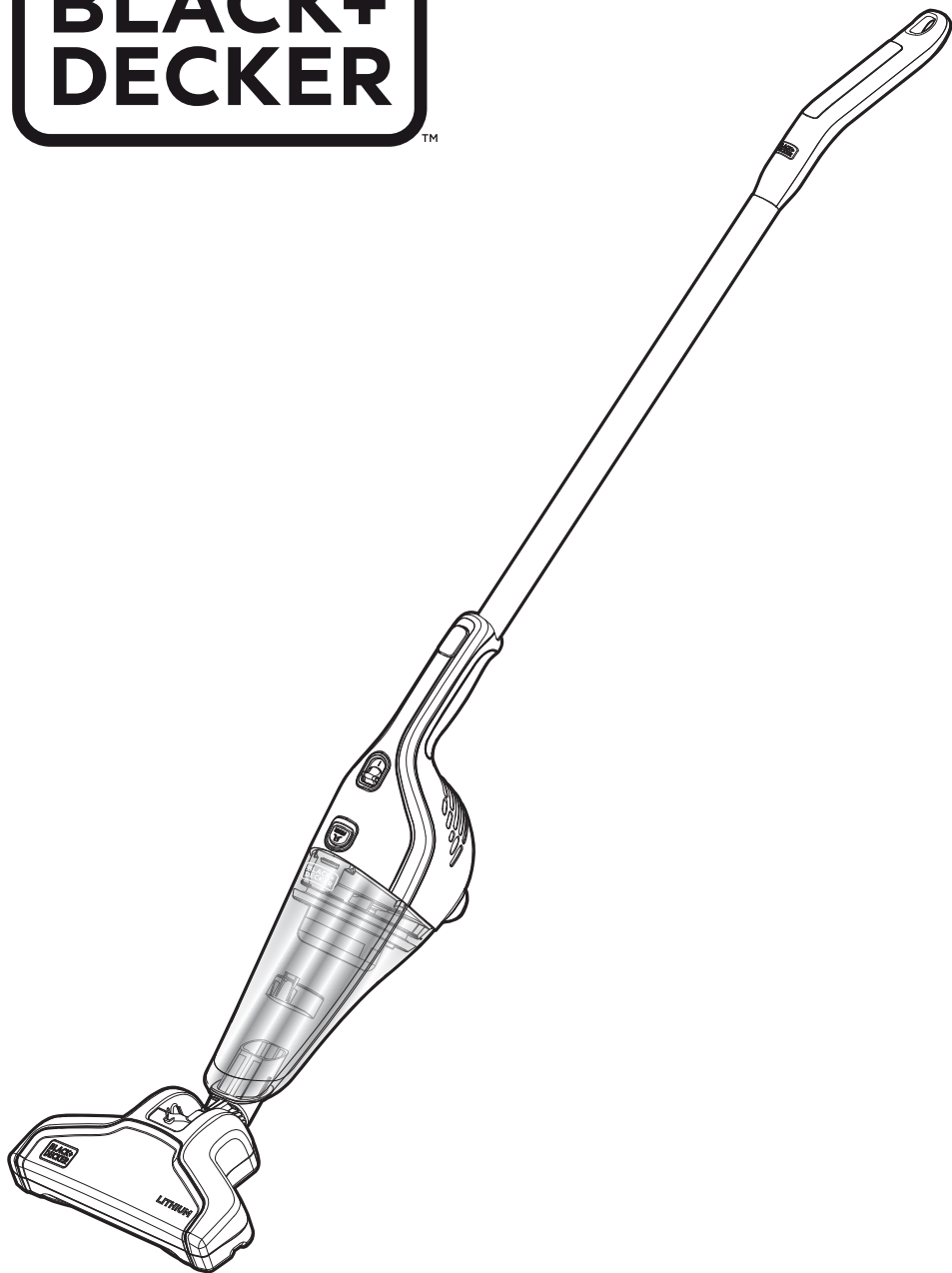
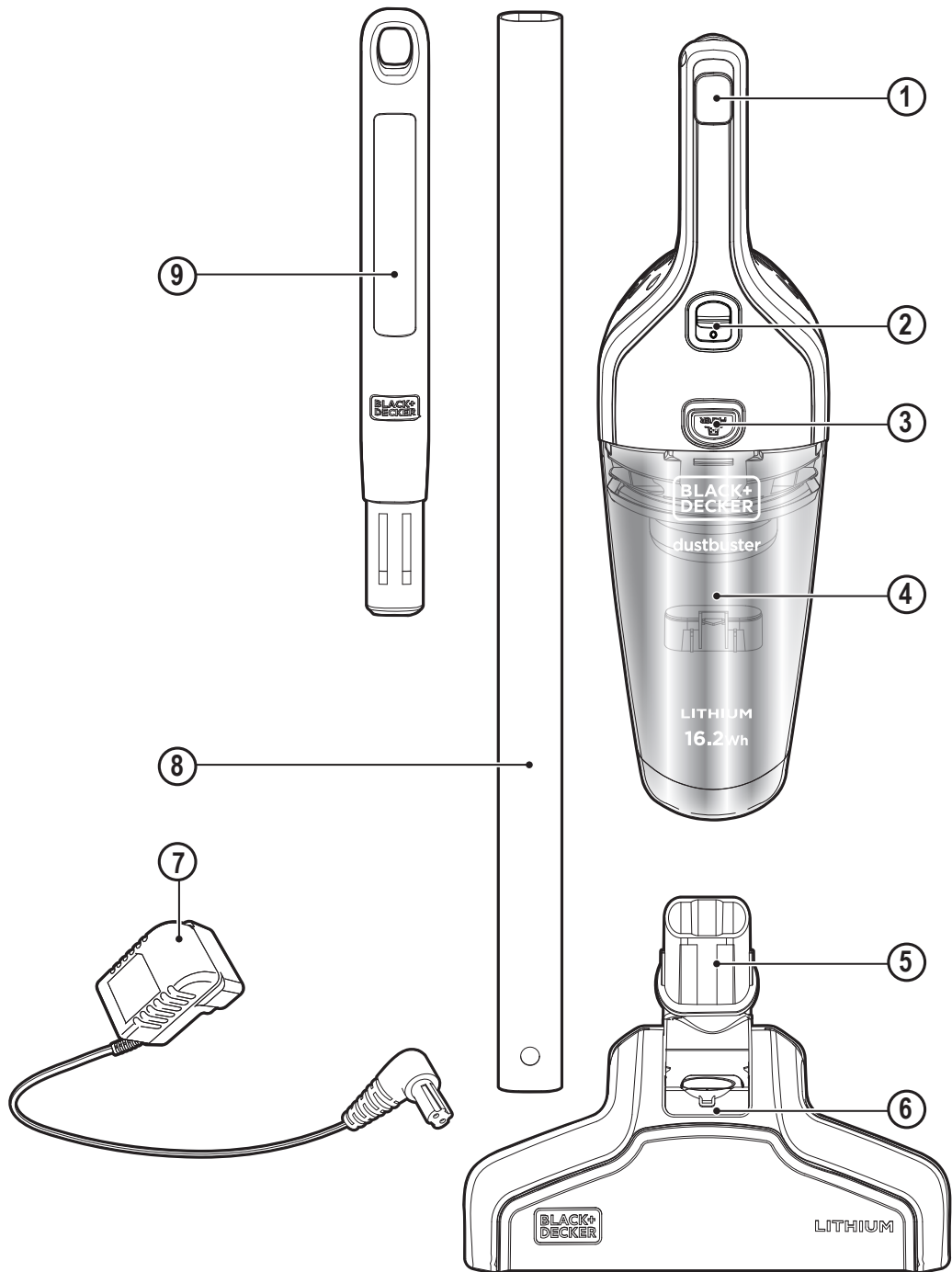


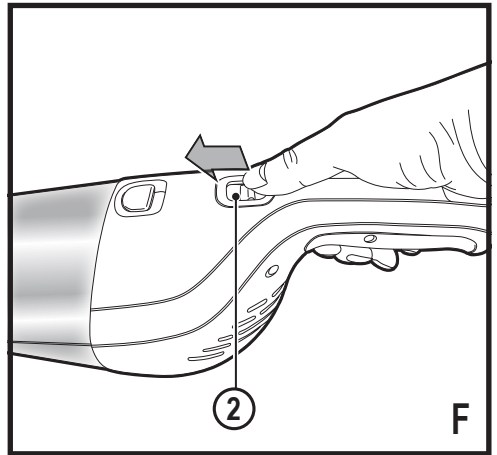
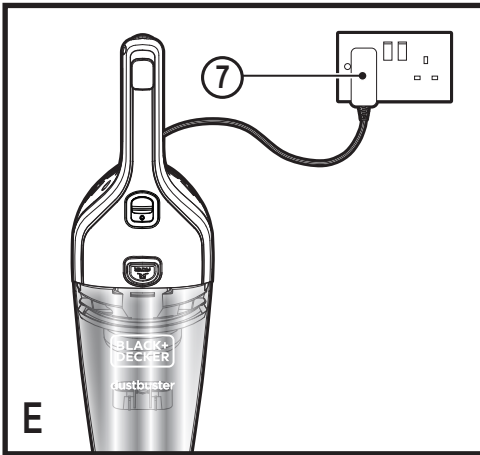
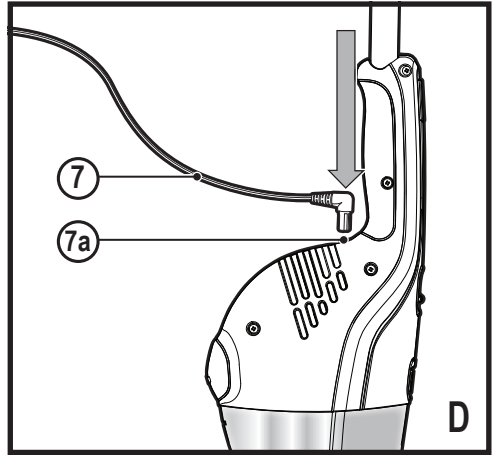
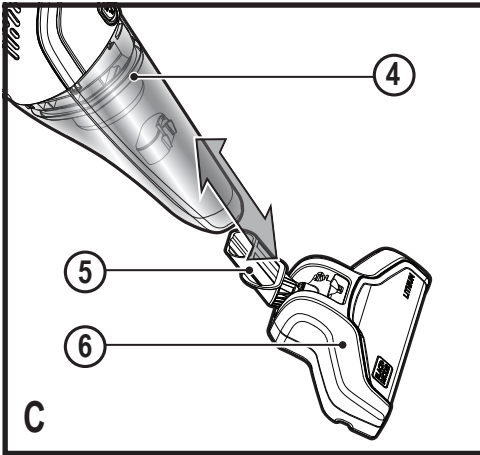
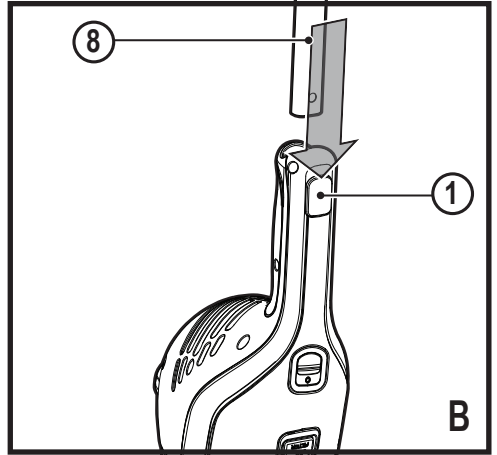
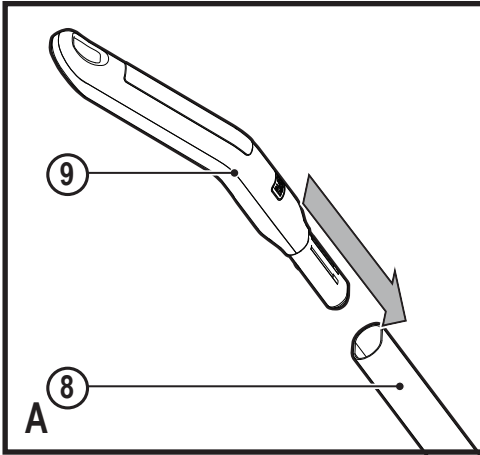
BLACK+
DECKER

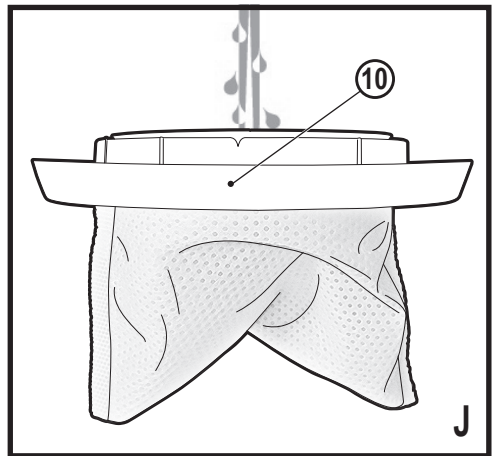
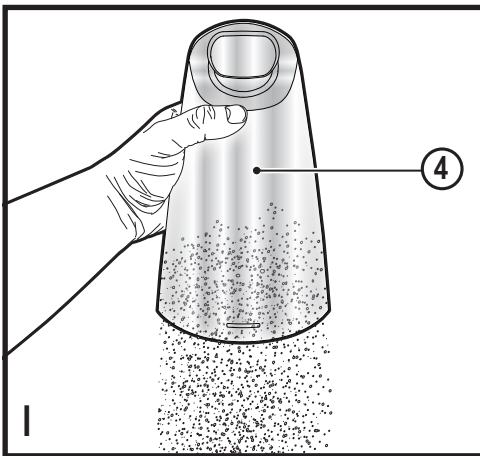
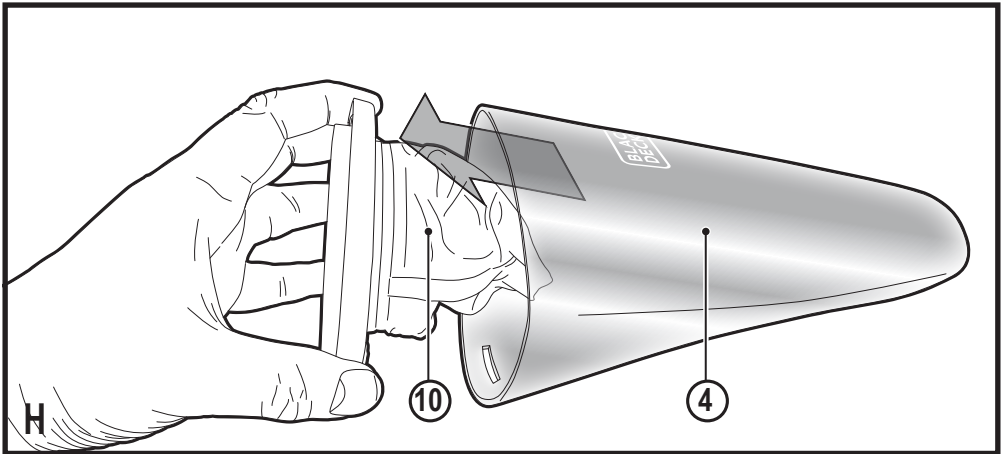
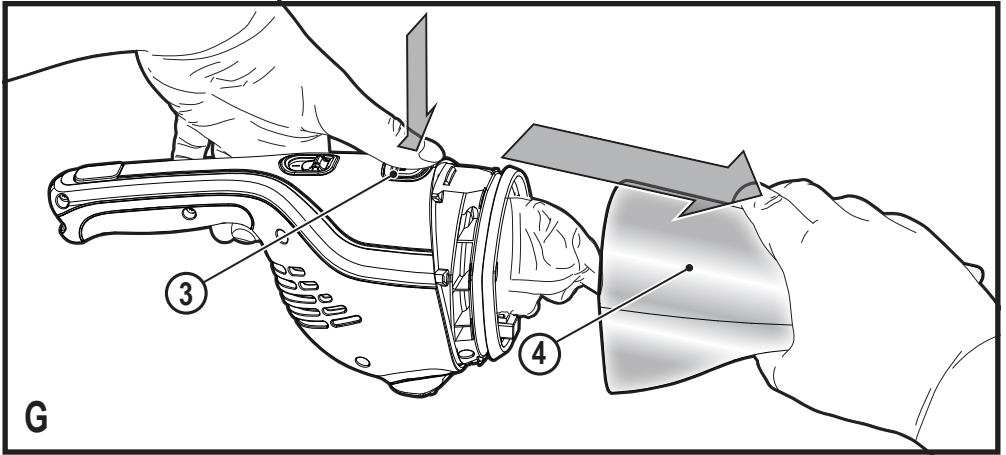


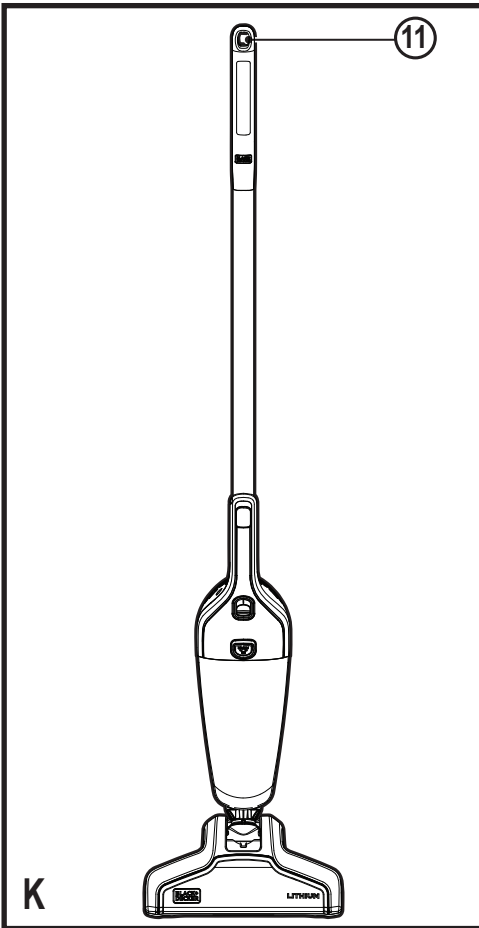
www.blackanddecker.co.uk

NSVA315J









Failure to follow the warnings and instructions listed below may result in electric shock, fire and/or serious injury.

- ◆ The intended use is described in this manual. The use of any accessory or attachment or the performance of any operation with this appliance other than those recommended in this instruction manual may present a risk of personal injury.
- ◆ Retain this manual for future reference.

Using your appliance

- ◆ Do not use the appliance to pick up liquids or any materials that could catch fire.
- ◆ Do not immerse the appliance in water.
- ◆ Never pull the charger lead to disconnect the charger from the socket. Keep the charger lead away from heat, oil and sharp edges.
- ◆ This appliance can be used by children aged from 8 years and above and persons with reduced physical, sensory or mental capabilities or lack of experience and knowledge if they have been given supervision or instruction concerning use of the appliance in a safe way and understand the hazards involved. Children shall not play with the appliance. Cleaning and user maintenance shall not be made by children without supervision.

Intended use

Your BLACK + DECKER NSVA315J Dustbuster® vacuum cleaner with floor head and handle has been designed for light dry vacuum cleaning purposes. This appliance is intended for household use only.



Read all of this manual carefully before operating the appliance.

Safety instructions



Warning! Read all safety warnings and all instructions.

Inspection and repairs

Before use, check the appliance for damaged or defective parts.

Check for breakage of parts, damage to switches and any other conditions that may affect its operation.

- ◆ Do not use the appliance if any part is damaged or defective.
- ◆ Have any damaged or defective parts repaired or replaced by an authorized repair agent.
- ◆ Regularly check the charger lead for damage. Replace the charger if the lead is damaged or defective.
- ◆ Never attempt to remove or replace any parts other than those specified in this manual.

Additional safety instructions

After use

- ◆ Unplug the charger before cleaning.
- ◆ When not in use, the appliance should be stored in a dry place.
- ◆ Children should not have access to stored appliances.

Residual risks

Additional residual risks may arise when using the tool which may not be included in the enclosed safety warnings. These risks can arise from misuse, prolonged use etc.

Even with the application of the relevant safety regulations and the implementation of safety devices, certain residual risks can not be avoided. These include:

- ◆ Injuries caused by touching any rotating/moving parts.
- ◆ Injuries caused when changing any parts, blades or accessories.
- ◆ Injuries caused by prolonged use of a tool. When using any tool for prolonged periods ensure you take regular breaks.
- ◆ Impairment of hearing.
- ◆ Health hazards caused by breathing dust developed when using your tool (example:- working with wood, especially oak, beech and MDF.)

Chargers


Your charger has been designed for a specific voltage. Always check that the mains voltage corresponds to the voltage on the rating plate.


Warning! Never attempt to replace the charger unit with a regular mains plug.


- ◆ Use your BLACK+DECKER charger only to charge the battery in the appliance with which it was supplied. Other batteries could burst, causing personal injury and damage.
- ◆ Never attempt to charge non-rechargeable batteries.
- ◆ If the supply cord is damaged, it must be replaced by the manufacturer or an authorised BLACK+DECKER Service Centre in order to avoid a hazard.
- ◆ Do not expose the charger to water.
- ◆ Do not open the charger.
- ◆ Do not probe the charger.
- ◆ The appliance/battery must be placed in a well ventilated area when charging.

Electrical safety

Symbols on the charger


 Read all of this manual carefully before using the appliance.


 This tool is double insulated; therefore no earth wire is required. Always check that the power supply corresponds to the voltage on the rating plate.

 The charger is intended for indoor use only.

Labels on appliance

The following symbols appear on this appliance along with the date code.

 Read all of this manual carefully before using the appliance

 Only use with charger S003AQ-15 / SSC-150015

Features

This tool includes some or all of the following features.

1. Extension pole release button
2. On/Off switch
3. Dust chamber release button
4. Dust chamber
5. Floor head connector
6. Floor head
7. Charger
8. Extension pole
9. Handle

Assembly (Fig. A, B, C)

- ◆ Push the handle (9) firmly into the extension pole (8) as shown in figure A.

Note: This process only needs to be performed once, as you will be unable to remove the handle from the extension pole once it is locked in place.

- ◆ Push the extension pole (8) into the opening on the Dustbuster® until it clicks into place as shown in figure B. To release the extension pole from the Dustbuster® press the extension pole release button (1).
- ◆ Fit the floor head (6) to the opening on the dust chamber (4) at the front of the Dustbuster® unit via the floor head connector (5) as shown in figure C.

Charging the battery (Fig. D, E)

- ◆ Place the charger (7) into the charging port (7a) at the rear of the unit and plug into the electrical outlet.

- ◆ Switch the electrical outlet on.

Use

- ◆ Before first use, the battery must be charged for at least 10 hours.

Switching on and off (Fig. F)

- ◆ To switch the appliance on, push the on/off switch (2) to the forward position.
- ◆ To switch the appliance off, return the on/off switch (2) to the back position.

Warning! Never pick up wet applications with these units.

Optimising the suction force

In order to keep the suction force optimised, the filters must be cleared regularly during use.

Emptying and cleaning the product.

Removing the dust bowl and filters (Fig. G, H, I, J).

- ◆ Press the dust chamber release button (3) and remove the dust chamber (4) from the motor unit as shown in figure G.
- ◆ While holding the dust chamber (4) over a suitable receptacle, pull out the filter (10).
- ◆ Shake the dust chamber (4) over a suitable receptacle to empty the contents as shown in figure I.
- ◆ To replace the dust bowl, push it back onto the motor unit until it locks firmly into position.

Warning! Never use the appliance without the filters.

Optimum dust collection will only be achieved with clean filters.

- ◆ The dust bowls and filters can be washed in warm soapy water.
- ◆ Make sure that the filters and the dust bowl are dry before re-fitting.

Replacing the filters

The filters should be replaced every 6 to 9 months and whenever worn or damaged.

Replacement filters are available from your BLACK+DECKER dealer.

Storage (Fig. K)

Your BLACK+DECKER NVSA315J can be hung from a wall fitting (not supplied) by using the hole in the handle (11) as shown in figure K.

Maintenance

Your BLACK+DECKER corded/cordless appliance/tool has been designed to operate over a long period of time with a minimum of maintenance. Continuous satisfactory operation depends upon proper tool care and regular cleaning.

Warning! Before performing any maintenance on corded/ cordless power tools:

- ◆ Switch off and unplug the appliance/tool.
- ◆ Or switch off and remove the battery from the appliance/ tool if the appliance/tool has a separate battery pack.
- ◆ Or run the battery down completely if it is integral and then switch off.
- ◆ Unplug the charger before cleaning it. Your charger does not require any maintenance apart from regular cleaning.
- ◆ Regularly clean the ventilation slots in your appliance/tool/ charger using a soft brush or dry cloth.
- ◆ Regularly clean the motor housing using a damp cloth. Do not use any abrasive or solvent-based cleaner.

Protecting the environment



Separate collection. Products and batteries marked with this symbol must not be disposed of with normal household waste.

Products and batteries contain materials that can be recovered or recycled reducing the demand for raw materials. Please recycle electrical products and batteries according to local provisions. Further information is available at www.2helpU.com

Technical data

	NSVA315J
Voltage (V _{ac})	10.8
Battery	Li-Ion
Weight (Kg)	1.3
Charger	S003AQ-15 / SSC-150015
Input Voltage (V _{ac})	100 - 240
Output Voltage (V)	15
Current (mA)	150
Approx charge time (h)	10

Guarantee

Black & Decker is confident of the quality of its products and offers consumers a 24 month guarantee from the date of purchase. This guarantee is in addition to and in no way prejudices your statutory rights. The guarantee is valid within the territories of the Member States of the European Union and the European Free Trade Area.

To claim on the guarantee, the claim must be in accordance with Black&Decker Terms and Conditions and you will need to submit proof of purchase to the seller or an authorised repair agent. Terms and conditions of the Black&Decker 2 year guarantee and the location of your nearest authorised repair agent can be obtained on the Internet at www.2helpU.com, or by contacting your local Black & Decker office at the address indicated in this manual.

Please visit our website www.blackanddecker.co.uk to register your new Black & Decker product and receive updates on new products and special offers.

Australia	Black & Decker (Australia) Pty. Ltd. 20 Fletcher Road, Mooroolbark, Victoria, 3138	Tel. 03-8720 5100 Fax 03-9727 5940
New Zealand	Black & Decker 5 Te Apunga Place Mt Wellington Auckland 1060	Tel. +64 9 259 1133 Fax +64 9 259 1122
United Kingdom & Republic Of Ireland www.blackanddecker.co.uk emeaservice@sbdinc.com	Black & Decker 210 Bath Road Slough, Berkshire SL1 3YD	Tel. 01753 511234 Fax 01753 512365