
DEWALT

D25122(K)

D25123(K)

D25124(K)

D25213(K)

WWW.DEWALT.COM

English

6

한글판

13

简体中文

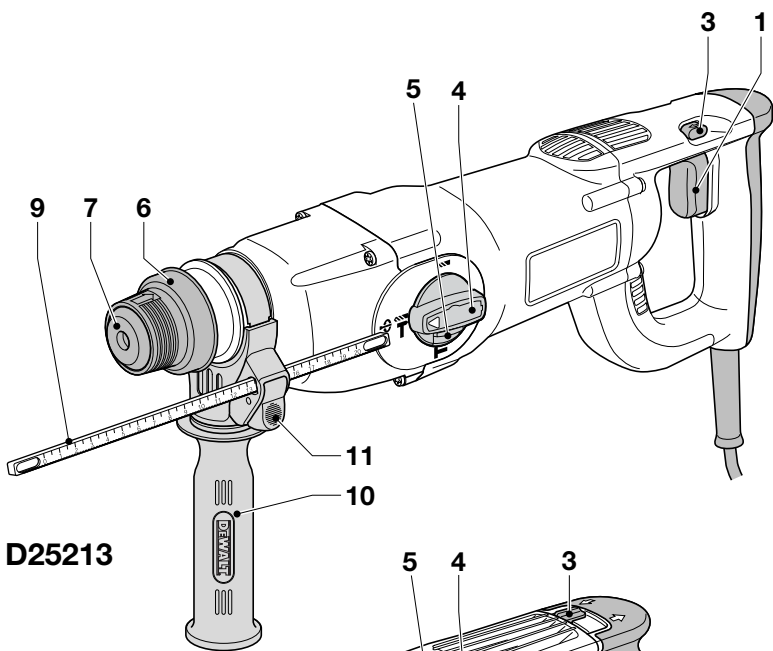
20

繁體中文

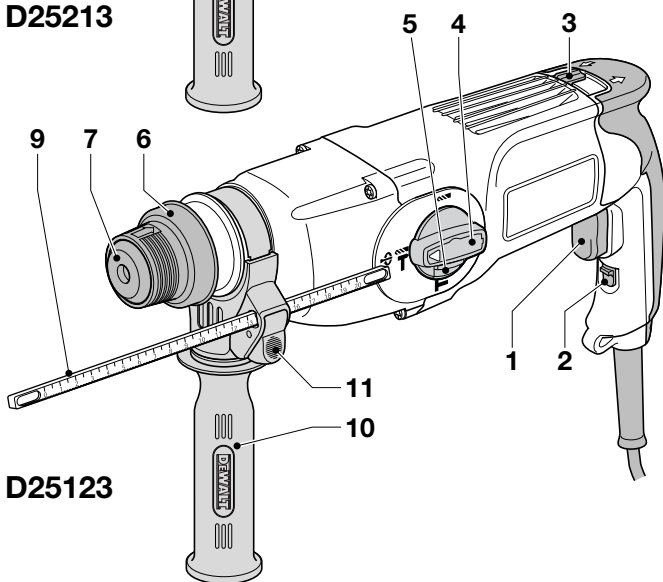
27

ไทย

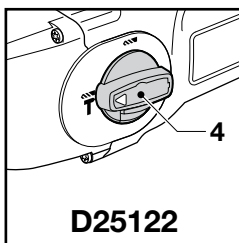
34



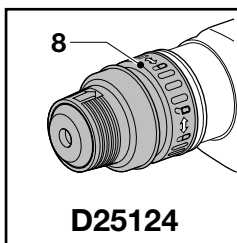
D25213



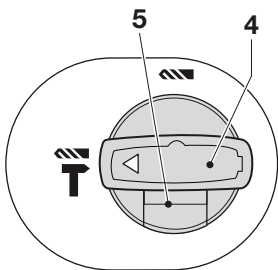
D25123



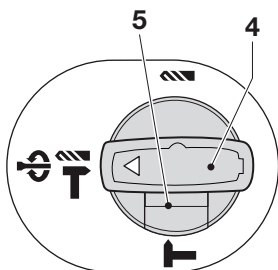
D25122



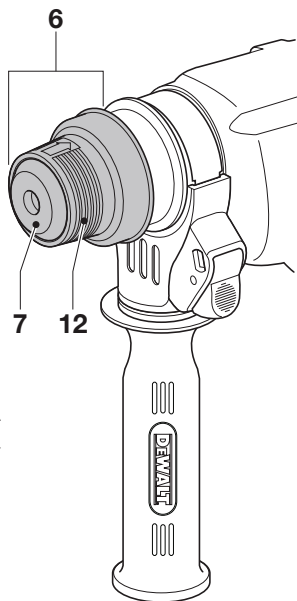
D25124



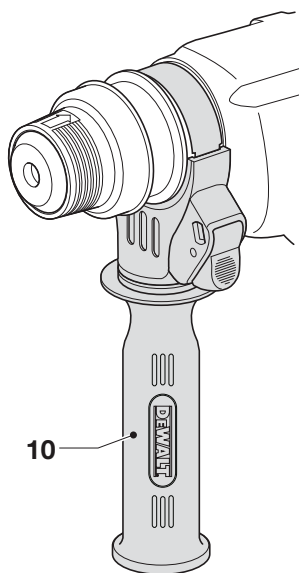
B1



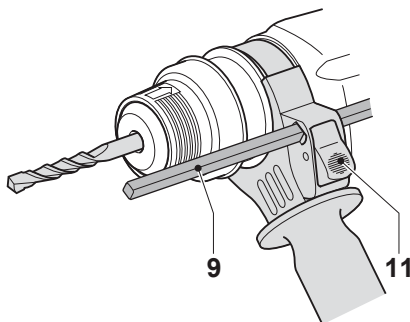
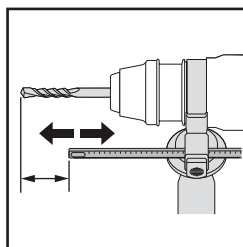
B2



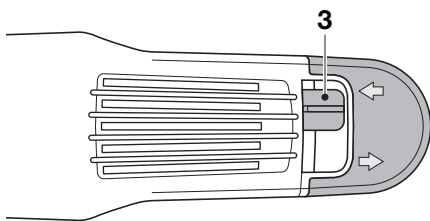
C



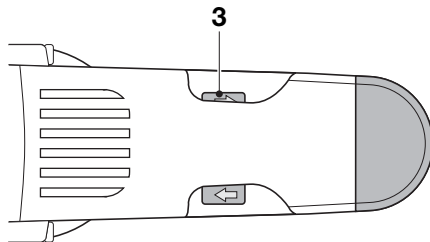
D



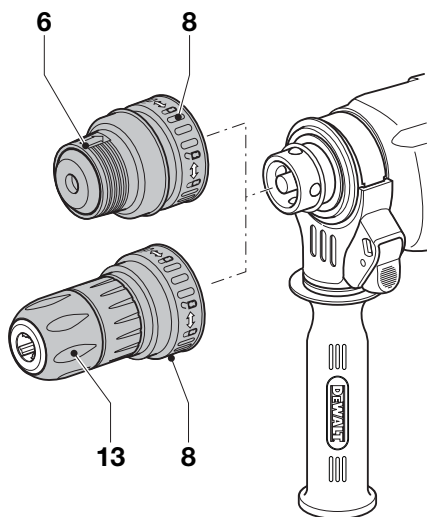
E



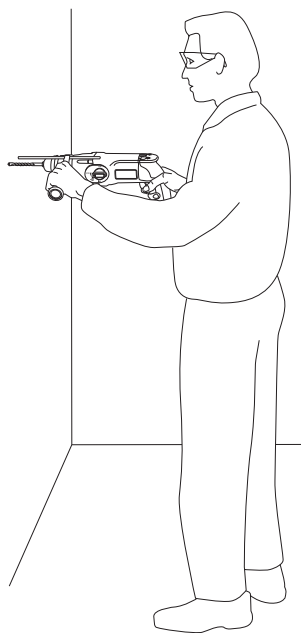
F1



F2



G



H

HEAVY DUTY ROTARY HAMMER DRILL

D25122(K)/D25123(K)/D25124(K)/D25213(K)

Congratulations!

You have chosen a DeWALT tool. Years of experience, thorough product development and innovation make DeWALT one of the most reliable partners for professional power tool users.

Technical data

	D25122	D25123	D25124	D25213
Voltage	V 220-240	220-240	220-240	220-240
Power input	W 800	800	800	800
No-load speed	min ⁻¹ 0 - 1,150	0 - 1,150	0 - 1,150	0 - 1,150
Load speed	min ⁻¹ 0 - 830	0 - 830	0 - 830	0 - 830
Impact energy				
hammer drilling	J 3.1	3.1	3.1	3.1
chiselling	J -	3.4	3.4	3.4
Maximum drilling range in				
steel/wood/concrete	mm 13/30/26	13/30/26	13/30/26	13/30/26
Chisel positions	-	52	52	52
Core drilling capacity in soft brick	mm 68	68	68	68
Tool holder	SDS-plus®	SDS-plus®	SDS-plus®	SDS-plus®
Collar diameter	mm 54	54	54	54
Weight	kg 2.55	2.6	2.6	2.75

The following symbols are used throughout this manual:



Denotes risk of personal injury, loss of life or damage to the tool in case of non-observance of the instructions in this manual.



Denotes risk of electric shock.



Fire hazard.

General Power Tool Safety Warnings



WARNING! Read all safety warnings and instructions Failure to follow the warnings and instructions may result in electric shock, fire and/or serious injury.

SAVE ALL WARNINGS AND INSTRUCTIONS FOR FUTURE REFERENCE

The term "power tool" in the warnings refers to your mains-operated (corded) power tool or battery-operated (cordless) power tool.

1) WORK AREA SAFETY

- a) **Keep work area clean and well lit.**
Cluttered or dark areas invite accidents.
- b) **Do not operate power tools in explosive atmospheres, such as in the presence of flammable liquids, gases or dust.** Power tools create sparks which may ignite the dust or fumes.
- c) **Keep children and bystanders away while operating a power tool.**
Distractions can cause you to lose control.

2) ELECTRICAL SAFETY

- a) **Power tool plugs must match the outlet. Never modify the plug in any way. Do not use any adapter plugs with earthed (grounded) power tools.** *Unmodified plugs and matching outlets will reduce risk of electric shock.*
- b) **Avoid body contact with earthed or grounded surfaces such as pipes, radiators, ranges and refrigerators.** *There is an increased risk of electric shock if your body is earthed or grounded.*
- c) **Do not expose power tools to rain or wet conditions.** *Water entering a power tool will increase the risk of electric shock.*
- d) **Do not abuse the cord. Never use the cord for carrying, pulling or unplugging the power tool. Keep cord away from heat, oil, sharp edges or moving parts.** *Damaged or entangled cords increase the risk of electric shock.*
- e) **When operating a power tool outdoors, use an extension cord suitable for outdoor use.** *Use of a cord suitable for outdoor use reduces the risk of electric shock.*
- f) **If operating a power tool in a damp location is unavoidable, use a residual current device (RCD) protected supply.** *Use of an RCD reduces the risk of electric shock.*

3) PERSONAL SAFETY

- a) **Stay alert, watch what you are doing and use common sense when operating a power tool. Do not use a power tool while you are tired or under the influence of drugs, alcohol or medication.** *A moment of inattention while operating power tools may result in serious personal injury.*
- b) **Use personal protective equipment. Always wear eye protection.** *Protective equipment such as dust mask, non-skid safety shoes, hard hat, or hearing protection used for appropriate conditions will reduce personal injuries.*
- c) **Prevent unintentional starting. Ensure the switch is in the off position before connecting to power source and/or battery pack, picking up or carrying the tool.** *Carrying power tools with your finger on the switch or energising power tools that have the switch on invites accidents.*

- d) **Remove any adjusting key or wrench before turning the power tool on.** *A wrench or a key left attached to a rotating part of the power tool may result in personal injury.*
- e) **Do not overreach. Keep proper footing and balance at all times.** *This enables better control of the power tool in unexpected situations.*
- f) **Dress properly. Do not wear loose clothing or jewellery. Keep your hair, clothing and gloves away from moving parts.** *Loose clothes, jewellery or long hair can be caught in moving parts.*
- g) **If devices are provided for the connection of dust extraction and collection facilities, ensure these are connected and properly used.** *Use of dust collection can reduce dust-related hazards.*

4) POWER TOOL USE AND CARE

- a) **Do not force the power tool. Use the correct power tool for your application.** *The correct power tool will do the job better and safer at the rate for which it was designed.*
- b) **Do not use the power tool if the switch does not turn it on and off.** *Any power tool that cannot be controlled with the switch is dangerous and must be repaired.*
- c) **Disconnect the plug from the power source and/or the battery pack from the power tool before making any adjustments, changing accessories, or storing power tools.** *Such preventive safety measures reduce the risk of starting the power tool accidentally.*
- d) **Store idle power tools out of the reach of children and do not allow persons unfamiliar with the power tool or these instructions to operate the power tool.** *Power tools are dangerous in the hands of untrained users.*
- e) **Maintain power tools. Check for misalignment or binding of moving parts, breakage of parts and any other condition that may affect the power tool's operation. If damaged, have the power tool repaired before use.** *Many accidents are caused by poorly maintained power tools.*

- f) **Keep cutting tools sharp and clean.** Properly maintained cutting tools with sharp cutting edges are less likely to bind and are easier to control.
- g) **Use the power tool, accessories and tool bits etc., in accordance with these instructions taking into account the working conditions and the work to be performed.** Use of the power tool for operations different from those intended could result in a hazardous situation.

5) SERVICE

- a) **Have your power tool serviced by a qualified repair person using only identical replacement parts.** This will ensure that the safety of the power tool is maintained.

Additional Specific Safety Rules for Rotary Hammers

- **Wear ear protectors.** Exposure to noise can cause hearing loss.
- **Use auxiliary handles supplied with the tool.** Loss of control can cause personal injury.
- **Hold power tools by insulated gripping surfaces when performing an operation where the cutting tool may contact hidden wiring or its own cord.** Contact with a "live" wire will make exposed metal parts of the tool "live" and shock the operator.
- **Use clamps or other practical way to secure and support the workpiece to a stable platform.** Holding the work by hand or against your body is unstable and may lead to loss of control.
- **Wear safety goggles or other eye protection.** Hammering operations cause chips to fly. Flying particles can cause permanent eye damage. Wear a dust mask or respirator for applications that generate dust. Ear protection may be required for most applications.
- **Keep a firm grip on the tool at all times. Do not attempt to operate this tool without holding it with both hands.** It is recommended that the side handle be used at all times. Operating this tool with one hand will result in loss of control. Breaking through or encountering hard materials such as re-bar may be hazardous as well. Tighten the side handle securely before use.
- **Do not operate this tool for long periods of time.** Vibration caused by hammer action may be harmful to your hands and arms. Use gloves to provide extra cushion and limit exposure by taking frequent rest periods.
- **Do not recondition bits yourself.** Chisel reconditioning should be done by an authorized specialist. Improperly reconditioned chisels could cause injury.
- **Wear gloves when operating tool or changing bits.** Accessible metal parts on the tool and bits may get extremely hot during

operation. Small bits of broken material may damage bare hands.

- **Never lay the tool down until the bit has come to a complete stop.** Moving bits could cause injury.
- **Do not strike jammed bits with a hammer to dislodge them.** Fragments of metal or material chips could dislodge and cause injury.
- **Slightly worn chisels can be resharpened by grinding.**
- **Keep the power cord away from the rotating bit. Do not wrap the cord around any part of your body.** An electric cord wrapped around a spinning bit may cause personal injury and loss of control.

Package contents

The package contains:

- 1 Heavy duty rotary hammer drill
- 1 Side handle
- 1 Depth adjustment rod
- 1 Kitbox (K-models only)
- 1 Keyless chuck (D25124)
- 1 Instruction manual

- Check for damage to the tool, parts or accessories which may have occurred during transport.
- Take the time to thoroughly read and understand this manual prior to operation.

Your heavy duty rotary hammer drill D25122/ D25123/ D25124/ D25213 has been designed for professional rotary and hammer drilling, screwdriving and light chipping, chiselling, demolition applications and for carbide tipped core drilling.

- 1 Variable speed switch
- 2 Lock-on button (D25122/D25123/D25124)
- 3 Forward/reverse slider
- 4 Mode selector
- 5 Safety lock
- 6 Tool holder
- 7 Dust cover
- 8 Locking collar (D25124)
- 9 Depth adjustment rod
- 10 Side handle
- 11 Depth stop clamp

Torque limiting clutch

All rotary hammer drills are equipped with a torque limiting clutch that reduces the maximum torque reaction transmitted to the operator in case of jamming of a drill bit. This feature also prevents the gearing and electric motor from stalling. The torque limiting clutch has been factory-set and cannot be adjusted.

Electrical safety

The electric motor has been designed for one voltage only. Always check that the power supply corresponds to the voltage on the rating plate.



Your DEWALT tool is double insulated in accordance with IEC60745; therefore no earth wire is required.

Using an extension cable

If an extension cable is required, use an approved extension cable suitable for the power input of this tool (see technical data). The minimum conductor size is 1.5 mm².

When using a cable reel, always unwind the cable completely.

Also refer to the table below.

Conductor size (mm ²)		Cable rating (Amperes)						
0.75		6						
1.00		10						
1.50		15						
2.50		20						
4.00		25						
		0						
		Cable length (m)						
		7.5	15	25	30	45	60	
Voltage	Amperes	Cable rating (Amperes)						
115	0 - 2.0	6	6	6	6	6	6	1
	2.1 - 3.4	6	6	6	6	15	15	
	3.5 - 5.0	6	6	10	15	20	20	
	5.1 - 7.0	10	10	15	20	20	25	
	7.1 - 12.0	15	15	20	25	25	-	
230	12.1 - 20.0	20	20	25	-	-	-	
	0 - 2.0	6	6	6	6	6	6	6
	2.1 - 3.4	6	6	6	6	6	6	6
	3.5 - 5.0	6	6	6	6	10	15	
	5.1 - 7.0	10	10	10	10	15	15	
7.1 - 12.0	15	15	15	15	20	20		
12.1 - 20.0	20	20	20	20	25	-		

Assembly and adjustment



Prior to assembly and adjustment always unplug the tool.

Selecting the operating mode (fig. B1 & B2)

D25122(K) (fig. B1)

The tool can be used in the following operating modes:



Rotary drilling: for screwdriving and for drilling into steel, wood and plastics



Hammer drilling: for concrete and masonry drilling operations.

D25123K/D25124K/D25213K (fig. B2)

The tool can be used in the following operating modes:



Rotary drilling: for screwdriving and for drilling into steel, wood and plastics



Hammer drilling: for concrete and masonry drilling operations.



Hammering only: for light chipping, chiselling and demolition applications.

In this mode the tool can also be used as a lever to free a jammed drill bit.



Bit rotation: non-working position used only to rotate a flat chisel into the desired position.

- To select the operating mode, press the safety lock (5) and rotate the mode selector switch (4) until it points to the symbol of the required mode.
- Release the safety lock and check that the mode selector switch is locked in place.



Do not select the operating mode when the tool is running.

Indexing the chisel position

The chisel can be indexed and locked into 52 different positions.

- Rotate the mode selector switch (4) until it points to the "bit rotation" position.
- Rotate the chisel in the desired position.
- Set the mode selector switch (4) to the "hammering only" position.
- Twist the chisel until it locks in position.

Inserting and removing SDS-plus® accessories (fig. C)

This tool uses SDS-plus® accessories (refer to the inset in fig. B for a cross-section of an SDS-plus® bit shank).

We recommend to use professional accessories only.

- Clean and grease the bit shank.
- Insert the bit shank into the tool holder (6).
- Push the bit down and turn it slightly until it fits into the slots.
- Pull on the bit to check if it is properly locked. The hammering function requires the bit to be able to move axially several centimetres when locked in the tool holder.
- To remove a bit pull back the tool holder locking sleeve (12) and pull out the bit.

Fitting the side handle (fig. D)

The side handle (10) can be fitted to suit both RH- and LH-users.



Always use the tool with the side handle properly assembled.

- Loosen the side handle.
- For RH-users, slide the side handle clamp over the collar behind the tool holder, handle at the left.
- For LH-users, slide the side handle clamp over the collar behind the tool holder, handle at the right.
- Rotate the side handle to the desired position and tighten the handle.

Setting the drilling depth (fig. E)

- Insert the required drill bit as described above.
- Press the depth stop clamp (11) and keep it depressed.
- Fit the depth adjustment rod (9) through the hole in the depth stop clamp.
- Adjust the drilling depth as shown.
- Release the depth stop clamp.

Forward/reverse slider (fig. F1 & F2)

D25122/D25123/D25124 (fig. F1)

- Push the forward/reverse slider (3) to the RH-side for forward (RH) rotation. See arrows on tool.
- Push the forward/reverse slider (3) to the LH-side for reverse (LH) rotation.

D25213 (fig. F2)

- Push the forward/reverse slider (3) to the LH-side for forward (RH) rotation. See arrows on tool.

- Push the forward/reverse slider (3) to the RH-side for reverse (LH) rotation.



Always wait until the motor has come to a complete standstill before changing the direction of rotation.

D25122/D25123/D25213 -

Fitting the chuck adapter & chuck

- Screw the chuck onto the threaded end of the chuck adapter.
- Insert the connected chuck and adapter in the tool as though it were a standard SDS-plus® bit.
- To remove the chuck, proceed as for removing a standard SDS-plus® bit.



Never use standard chucks in the hammer drilling mode.

D25124 - Replacing the tool holder with the chuck (fig. G)

- Turn the locking collar (8) into the unlocking position and pull the tool holder (6) off.
- Push the chuck (13) onto the spindle and turn the locking collar into the locking position.
- To replace the chuck with the tool holder, first remove the chuck the same way as the tool holder was removed. Then place the tool holder the same way as the chuck was placed.



Never use standard chucks in the hammer drilling mode.

Replacing the dust cover (fig. C)

The dust cover (7) prevents dust ingress into the mechanism. Replace a worn dust cover immediately.

- Pull back the tool holder locking sleeve (12) and pull the dust cover (7) off.
- Fit the new dust cover.
- Release the tool holder locking sleeve.

Instructions for use



- Always observe the safety instructions and applicable regulations.

Be aware of the location of pipework and wiring. Apply only a gentle pressure to the tool (approx. 5 kg). Excessive force does not speed up drilling but decreases tool performance and may shorten tool life.

Do not drill or drive too deep to prevent damage to the dust cover.

Always hold the tool firmly with both hands and ensure a secure stance (fig. H). Always operate the tool with the side handle properly mounted.

Switching on and off (fig. A)

D25122/D25123/D25124

- To run the tool, press the variable speed switch (1). The pressure exerted on the variable speed switch determines the tool speed.
- For continuous operation, press and hold down the variable speed switch, press the lock-on button (2) and release the switch.
- To stop the tool, release the switch.
- To stop the tool in continuous operation, press the switch briefly and release it. Always switch off the tool when work is finished and before unplugging.

D25213

- To run the tool, press the variable speed switch (1). The pressure exerted on the variable speed switch determines the tool speed.
- To stop the tool, release the switch.
- To lock the tool in off position, move the forward/reverse slider (3) to the central position.

Hammer drilling (fig. A)

Drilling with a solid bit

- Set the mode selector switch (4) to the “hammer drilling” position.
- Insert the appropriate drill bit. For best results use high quality carbide-tipped bits.
- Adjust the side handle (10) as required.
- If necessary, set the drilling depth.
- Mark the spot where the hole is to be drilled.
- Place the drill bit on the spot and switch on the tool.
- Always switch off the tool when work is finished and before unplugging.

Drilling with a core bit

- Set the mode selector (4) to the “hammer drilling” position.
- Adjust the side handle (10) as required.
- Insert the appropriate core bit.
- Assemble the centerdrill into the core bit.
- Place the centerdrill on the spot and press the variable speed switch (1). Drill until the core penetrates into the concrete approx. 1 cm.
- Stop drilling and remove the centerdrill. Place the core bit back into the hole and continue drilling.
- When drilling through a structure thicker than the depth of the core bit, break away the round cylinder of concrete or core inside the bit at regular intervals. To avoid unwanted breaking away of concrete around the hole, first drill a hole the diameter of the centerdrill completely through the structure. Then drill the cored hole halfway from each side.
- Always switch off the tool when work is finished and before unplugging.

Rotary drilling (fig. A)

- Set the mode selector switch (4) to the “rotary drilling” position.
- Depending on your tool, follow either of the following instructions:
 - Fit the chuck adapter/chuck assembly (D25122/D25123/D25213).
 - Replace the tool holder with the chuck (D25124).
- Proceed as described for hammer drilling.



Never use standard chucks in the hammer drilling mode.

Screwdriving (fig. A)

- Set the mode selector switch (4) to the “rotary drilling” position.
- Select the direction of rotation.
- Depending on your tool, follow either of the following instructions:
 - Insert the special SDS-plus® screwdriving adaptor for use with hexagonal screwdriver bits (D25122/D25123/D25213).
 - Replace the tool holder with the chuck (D25124).

- Insert the appropriate screwdriver bit.
When driving slotted head screws always use bits with a finder sleeve.
- Gently press the variable speed switch (1) to prevent damage to the screw head. In reverse (LH) rotation the tool speed is automatically reduced for easy screw removal.
- When the screw is flush with the workpiece, release the variable speed switch to prevent the screw head from penetrating into the workpiece.



Lubrication

Your power tool requires no additional lubrication.

Accessories and attachments used must be regularly lubricated around the SDS-plus® fitment.



Cleaning

Keep the ventilation slots clear and regularly clean the housing with a soft cloth.



Unwanted tools and the environment

Take your tool to an authorized DeWALT repair agent where it will be disposed of in an environmentally safe way.

D25123/D25124/D25213 - Chipping and chiselling (fig. A)

- Set the mode selector switch (4) to the “hammering only” position.
- Insert the appropriate chisel and rotate it by hand to lock it into one of 52 positions.
- Adjust the side handle (10) as required.
- Switch on the tool and start working.
- Always switch off the tool when work is finished and before unplugging.



- Do not use this tool to mix or pump easily combustible or explosive fluids (benzine, alcohol, etc.).
- Do not mix or stir inflammable liquids labelled accordingly.

Various types of SDS-plus® drill bits and chisels are available as an option.

Consult your dealer for further information on the appropriate accessories.

Maintenance

Your DeWALT power tool has been designed to operate over a long period of time with a minimum of maintenance. Continuous satisfactory operation depends upon proper tool care and regular cleaning.

- This machine is not user-serviceable. Take the tool to an authorised DeWALT repair agent after approximately 40 hours of use. If problems occur before this time contact an authorised DeWALT repair agent.
- The tool will automatically switch off when the carbon brushes are worn.

로터리 해머드릴

D25122(K)/D25123(K)/D25124(K)/D251213(K)

축하드립니다!

귀하께서는 DEWALT 전동공구를 선택하셨습니다. 수년간의 경험과 완벽한 제품 개발, 혁신으로 DEWALT는 전문적으로 전동공구를 사용하시는 분들에게 가장 믿음직한 동반자가 되었습니다.

기술 데이터

		D25122	D25123	D25124	D251213
전압	V	220	220	220	220
전력	W	800	800	800	800
무부하회전수	min ⁻¹	0-1,150	0-1,150	0-1,150	0-1,150
부하속도	min ⁻¹	0-830	0-830	0-830	0-830
충격에너지					
해머 드릴링	J	3.1	3.1	3.1	3.1
치즐링	J	-	3.4	3.4	3.4
최대 드릴링 범위					
강철/ 목재/ 콘크리트	mm	13/30/26	13/30/26	13/30/26	13/30/26
치즐 위치		-	52	52	52
연벽돌에서 코어드릴링 능력	mm	68	68	68	68
툴 홀더		SDS-plus®	SDS-plus®	SDS-plus®	SDS-plus®
칼라 직경	mm	54	54	54	54
중량	kg	2.55	2.6	2.6	2.75

본 사용 설명서에서는 다음 기호들을 사용하고 있습니다.



본 사용 설명서의 지시사항을 준수하지 않을 경우 따를 수 있는 부상위험이나 사망, 전동공구의 고장 등을 나타냅니다.



감전의 위험을 나타냅니다.



화재 위험

전동공구에 관한 일반적인 안전 경고



경고! 안전에 관한 모든 경고 및 지시사항을 숙지하십시오. 경고와 설명서의 내용을 준수하지 않으면 전기 충격이나 화재 또는 심각한 부상을 초래할 수 있습니다.

항후 참고할 수 있도록 모든 경고와 설명서를 보관해야 합니다.

본 경고 중의 용어 “전동공구”란 본선전원(코드 사용)으로 작동하는 전동공구 또는 배터리로 작동하는(코드 미사용) 전동공구를 말합니다.

1) 작업 영역 안전

- 작업 영역을 청결하고 밝게 유지하십시오. 혼잡하거나 어두운 작업 영역에서는 사고가 발생하기 쉽습니다.
- 가연성 액체, 가스 또는 먼지 등 폭발성 환경에서 전동 공구를 사용하지 마십시오. 전동 공구에 먼지나 연기를 발화시킬 수 있는 불꽃이 될 수 있습니다.
- 전동 공구를 사용하는 동안에는 어린이와 주변 사람들이 작업 영역에 가까이 오지 못하도록 하십시오. 주변이 산만해져 통제력을 잃을 수 있습니다.

2) 전기 안전

- a) 전동 공구의 플러그는 콘센트와 형식이 맞아야 합니다. 플러그를 어떤 방식으로든 절대 개조하지 마십시오. 접지된(지면 접지) 전동 공구와 함께 어댑터 플러그도 사용하지 마십시오. 개조되지 않은 플러그 및 형식이 맞는 콘센트를 사용하면 감전 위험이 줄어듭니다.
- b) 파이프, 라디에이터, 렌지 및 냉장고 등과 같이 접지된 표면에 몸이 닿지 않도록 하십시오. 몸이 접지되어 있으면 감전 위험이 높아집니다.
- c) 전동 공구를 비 또는 습한 환경에 노출시키지 않도록 주의하십시오. 전동공구에 물이 들어가면 감전 위험이 높아집니다.
- d) 코드를 함부로 다루지 마십시오. 코드를 잡고 전동 공구를 운반하거나 잡아당기거나 플러그를 빼지 마십시오. 열, 오일, 날카로운 모서리 또는 움직이는 부품에 닿지 않도록 코드를 보관하십시오. 코드가 손상되거나 뒤엎혀 있으면 감전 위험이 높아집니다.
- e) 전동 공구를 실외에서 사용할 때는 실외 사용에 적합한 연장 코드를 사용하십시오. 실외 사용에 적합한 코드를 사용하면 감전위험이 줄어듭니다.
- f) 어쩔 수 없이 습한 장소에서 전동 공구를 사용해야 하는 경우에는 차단기(RCD)로 보호된 전원을 공급하십시오. RCD를 사용하면 감전 위험이 줄어듭니다.

3) 개인 안전

- a) 전동 공구를 사용할 때는 방심하지 말고 작업에 주의하면서 상식을 따르십시오. 피곤한 상태이거나 약물, 술, 치료제를

복용한 상태에서는 전동 공구를 사용하지 마십시오. 전동 공구를 사용하는 중에 주의력을 잃어 신체 부상을 당할 수 있습니다.

- b) 신체 보호 장구를 착용하십시오. 항상 보안경을 착용하십시오. 적합한 상황에서 방진 마스크, 미끄럼 방지 안전화, 안전모 또는 청력 보호 기구 등의 보호 장구를 사용하면 신체 부상 위험이 줄어듭니다.
- c) 의도하지 않은 장비 가동 방지. 전원 및/또는 배터리 팩에 연결한 상태로 공구를 선택 또는 운반할 때는 사전에 스위치가 꺼짐 위치에 있는지 반드시 확인하십시오. 스위치가 켜짐 위치에 있는 상태에서 스위치에 손가락이 닿은 상태로 전동 공구를 운반하거나 전동 공구에 전원을 공급하면 사고가 발생합니다.
- d) 전동 공구를 켜기 전에 모든 조정 키 또는 렌치를 제거하십시오. 전동 공구의 회전부에 렌치나 키가 부착되어 있으면 신체 부상을 당할 수 있습니다.
- e) 무리하게 팔을 뻗지 마십시오. 항상 올바른 자세로 서서 균형을 유지하십시오. 그러면 예기치 않은 상황에서 전동 공구에 대한 제어력이 향상됩니다.
- f) 적절한 의복을 착용합니다. 헐렁한 옷이나 장신구를 착용하지 마십시오. 머리카락, 옷 및 장갑이 움직이는 부품에 닿지 않도록 유의하십시오. 헐렁한 옷, 장신구 또는 긴 머리카락이 움직이는 부품에 말려들 수 있습니다.
- g) 먼지 배출 및 집진 시설 연결을 위한 장치가 제공된 경우, 이들 장치가 연결되어 적절히 사용되고 있는지 반드시 확인하십시오. 집진 장치를 사용하면 먼지와 관련된 위험을 줄일 수 있습니다.

4) 전동 공구 사용 및 주의 사항

- a) 전동 공구에 무리한 힘을 가하지 마십시오. 해당 용도에 맞는 올바른 전동 공구를 사용하십시오. 올바른 전동 공구를 사용해야 설계된 속도로 작업을 더욱 안전하고 정확하게 수행할 수 있습니다.
- b) 스위치로 켜지고 꺼지지 않는 전동 공구는 사용하지 마십시오. 스위치로 제어되지 않는 전동 공구는 위험하며 수리가 필요합니다.
- c) 전동 공구를 조정하거나 액세서리를 변경하거나 보관하기 전에 전원 및/또는 배터리 팩에서 플러그를 빼십시오. 이러한 예방적 안전 조치를 따라야 전동 공구가 갑자기 작동할 위험이 줄어듭니다.
- d) 사용하지 않는 전동 공구는 어린이의 손이 닿지 않는 곳에 보관하고, 전동 공구나 본지시 사항에 익숙하지 않은 사람이 전동 공구를 절대 사용하지 못하게 하십시오. 전동 공구는 훈련을 받지 않은 사용자가 다루면 위험합니다.
- e) 전동 공구 유지 보수. 움직이는 부품의 잘못된 정렬이나 바인딩, 부품 파손 및 기타 전동 공구의 작동에 영향을 미칠 수 있는 상태가 있는지 확인하십시오. 손상된 부분이 있는 경우 사용하기 전에 전동 공구를 수리하십시오. 많은 사고는 전동 공구를 제대로 유지 보수하지 않아 발생합니다.
- f) 절삭 공구를 예리하고 깨끗한 상태로 유지하십시오. 유지 보수를 올바르게 수행하여 절삭 가장자리가 예리한 절삭 공구를 사용하면 바인딩이 적고 다루기가 용이합니다.
- g) 작업 환경과 수행할 작업을 고려하여, 본지시 사항에 따라 전동 공구, 액세서리 및 톨 비트 등을 사용하십시오. 본 사용 설명서의 내용과 다른 용도로 전동 공구를 사용하면 위험한 상황이 발생할 수 있습니다.

5) 정비

- a) 자격을 갖춘 기술자가 동일 교체 부품을 사용하여 정비 작업을 수행해야 합니다. 그래야 전동 공구의 안전이 보장됩니다.

제품 구성

본 제품은 다음과 같이 구성되어 있습니다.

고성능 로터리 해머 드릴 1
 사이드 핸들 1
 깊이 조정 막대 1
 키트박스 1(K-모델만 해당)
 키리스 척 1(D25124)
 사용설명서 1부

- 이동 시 생길 수 있는 전동공구나 부품, 부속품의 손상을 확인하십시오.
- 작동시키기 전에 본 사용설명서를 꼼꼼하게 읽고 이해하십시오.

본 로터리 해머드릴 D25122/ D25123/ D25124/ D25123 는 전문적으로 회전과 해머 드릴링, 회전나사, 간단히 조각내기, 치즐링, 파괴 작업 등과 카바이드 팁 중심 드릴링에 사용할 수 있도록 디자인 되었습니다.

- 1 가변속 스위치
- 2 잠금 버튼 (D25122/ D25123/ D25124)
- 3 전진/ 후진 슬라이드
- 4 모드 선택
- 5 안전 잠금쇠
- 6 홀더
- 7 먼지 덮개
- 8 잠금목(D25124)
- 9 깊이 조정 막대
- 10 사이드 핸들
- 11 깊이 정지 클램프

토크 제어 클러치

모든 회전 해머 드릴은 드릴이 약간 방해 받은 경우 작동자에게 전달되는 최대 토크반응을 감소시키는 토크 제어 클러치가 장착되어 있습니다. 또한 이러한 특성으로 인해 기어링이나 전기 모터의 지면을 막아줍니다. 토크 제어 클램프는 고정된 상태로 조정할 수 없습니다.

전기안전

전기 모터는 한 가지 전압에서만 작동하도록 디자인 되었습니다. 명판의 전압이 전원공급장치와 일치하는지 항상 확인하십시오.



본 DEWALT 전동공구는 IEC60745 에 준하여 이중 절연되었습니다. 그러므로 접지선이 필요하지 않습니다.

연장케이블 사용

연장케이블이 필요하다면 본 전동공구의 전원장치에 맞는 연장케이블을 사용하십시오(기술 데이터 참조). 최소 도체 크기는 1.5mm²입니다. 케이블 릴 사용시, 케이블을 완전히 풀어주십시오.

아래 표를 참조하시기 바랍니다.

도체 크기(mm ²)	케이블 구분 (암페어)
0.75	6
1.00	10
1.50	15
2.50	20
4.00	25
케이블 길이(m)	
	7.5 15 25 30 45 60

전압	전류	케이블 구분(암페어)					
115	0 - 2.0	6	6	6	6	6	10
	2.1 - 3.4	6	6	6	6	15	15
	3.5 - 5.0	6	6	10	15	20	20
	5.1 - 7.0	10	10	15	20	20	25
	7.1 -12.0	15	15	20	25	25	-
230	12.1-20.0	20	20	25	-	-	-
	0 - 2.0	6	6	6	6	6	6
	2.1 - 3.4	6	6	6	6	6	6
	3.5 - 5.0	6	6	6	6	10	15
	5.1 - 7.0	10	10	10	10	15	15
7.1 -12.0	15	15	15	15	20	20	
12.1-20.0	20	20	20	20	25	-	

조립 및 조정



조립 및 조정에 앞서 전동공구의 플러그를 연결하지 마십시오.

작동 모드 선택하기(fig B1 & B2)

D25122 (fig. B1)

다음 작동 모드로 본 전동공구를 사용할 수 있습니다.



회전 드릴링: 나사 회전 및 강철이나 목재, 플라스틱 드릴링



해머 드릴링: 콘크리트나 석조 드릴링 작업

D25123/ D25124/ D25213 (fig. B2)

다음 작동 모드로 본 전동공구를 사용할 수 있습니다.



회전 드릴링: 나사 회전 및 강철이나 목재, 플라스틱 드릴링



해머 드릴링: 콘크리트나 석조 드릴링 작업



해머용: 간단히 조각내기나 치즐링, 파괴 작업

이 작동 모드에서, 본 전동공구는 박혀있는 드릴 비트를 빼주는 레버로 사용할 수 있습니다



플랫 치즐을 회전하여 원하는 위치에 고정시킬 때에만 사용되는 모드

- 작동 모드를 선택하려면, 안전 잠금쇠(5)를 누르고 원하는 모드 표시를 가리킬 때까지 모드 선택 스위치(4)를 돌려줍니다.
- 안전 잠금쇠를 풀어주고, 모드 작동기 스위치가 제대로 잠겨있는지 확인합니다.



전동공구가 작동하고 있는 상태에서 작동 모드를 선택하지 마십시오.

치즐 위치 나타내기

이 치즐은 52 가지 다른 위치가 있으며 이에 고정될 수 있습니다.

- 모드 선택 스위치(4)가 ‘비트 회전’ 을 가리킬 때까지 돌려줍니다.
- 원하는 위치에서 치즐을 회전시킵니다.
- ‘해머용’ 위치로 모드 선택 스위치(4)를 설정합니다.
- 그 위치에 고정될 때까지 치즐을 비틀어 돌려줍니다.

SDS-plus®부속품 삽입 및 제거하기 (fig. C)

본 전동공구는 SDS-plus® 부속품을 사용합니다(fig.B)에서 SDS-plus® 비트 상크 단면적에 대한 삽입 참조).

본 전동공구에는 전문 부속품만을 사용하실 것을 권장합니다.

- 비트 상크를 깨끗이 하고 기름을 바릅니다.
- 비트 상크를 홀더(6)에 삽입합니다.
- 비트를 아래로 누르고, 슬롯에 맞을 때까지 가볍게 돌려줍니다.
- 제대로 고정되었는지 확인하도록 비트를 잡아 당깁니다. 해머 기능에서는 비트가 홀더에 고정되어 있을 때 축으로 몇 센티미터 움직일 수 있어야 합니다.
- 비트를 제거하려면, 슬리브(12)를 고정하는 홀더를 당기고 비트를 빼줍니다.

사이드핸들 맞추기 (fig. D)

왼손잡이나 오른손잡이 사용자들 모두에 맞도록 사이드핸들(10)을 맞출 수 있습니다.



항상 사이드핸들이 제대로 조립되어 있는 전동공구를 사용하십시오.

- 사이드핸들을 풀어줍니다.
- 오른손잡이의 경우, 홀더 뒤의 목으로 사이드핸들 클램프를 살짝 움직여주고 왼쪽에서 다룹니다.
- 왼손잡이의 경우, 홀더 뒤의 목으로 사이드핸들 클램프를 살짝 움직여주고 오른쪽에서 다룹니다.
- 원하는 위치에 사이드핸들을 돌려놓고 핸들을 조여줍니다.

드릴링 깊이 설정하기 (fig. E)

- 위에서 설명한 대로 필요한 드릴 비트를 삽입합니다.
- 깊이를 정지 클램프(11)를 계속 눌러줍니다.
- 깊이를 정지 클램프에서 구멍을 통해 깊이 조정 막대(9)를 맞춥니다.
- 보이는 대로 드릴링 깊이를 조정합니다.
- 깊이를 정지 클램프를 풀어줍니다.

전진/후진 슬라이더 (fig. F1 & F2)

D25122/ D25123/ D25124 (fig. F1)

- 전진(RH) 회전을 위해 오른손잡이 쪽으로 전진/후진 슬라이더(3)를 눌러줍니다. 전동공구의 화살표들을 보십시오.
- 후진(LH) 회전을 위해 왼손잡이 쪽으로 전진/후진 슬라이더(3)를 눌러줍니다.

D25213 (fig. F2)

- 전진(RH) 회전을 위해 왼손잡이 쪽으로 전진/후진 슬라이더(3)를 누릅니다. 전동공구의 화살표들을 보십시오.
- 후진(LH) 회전을 위해 오른손잡이 쪽으로 전진/후진 슬라이더(3)를 누릅니다.



항상 회전 방향을 바꾸기 전에 모터가 완전히 정지할 때까지 기다리십시오.

D25122/ D25123/ D25213

척 어댑터 및 척 맞추기

- 척 어댑터의 나사산 끝에 척을 죄어줍니다.
- 표준 SDS-plus® 비트인 것처럼 연결된 척과 어댑터를 전동공구에 삽입합니다.
- 척을 제거하려면, 표준 SDS-plus® 비트를 제거하는 방법대로 하십시오.



해머 드릴링 모드에서는 절대 표준 척을 사용하지 마십시오.

D25124 - 홀더를 척으로 교체하기(fig. G)

- 잠금목(8)을 풀림 위치로 돌리고 홀더(6)를 벗겨냅니다.
- 축을 향해 척(13)을 눌러주고 잠금 목을 잠금 상태로 돌려줍니다.
- 척을 홀더로 교체하기 위해서는 우선 홀더를 제거한 방법대로 척을 제거해줍니다. 그리고 나서 척을 놓은 방법대로 홀더를 놓습니다.



해머 드릴링 모드에서 절대 표준 척을 사용하지 마십시오.

먼지덮개 교체하기 (fig. C)

- 먼지덮개(7)는 기계 부품으로 먼지가 들어가지 않도록 해줍니다. 닳은 먼지덮개는 즉시 교체하십시오.
- 홀더 잠금 슬리브(12)는 잡아당겨 먼지 덮개(7)를 꺼냅니다.
- 새 먼지덮개를 맞춰줍니다.
- 홀더 잠금 슬리브를 놓아둡니다.

사용 시 주의사항



- 항상 안전 지침과 관련 규정을 살펴 보십시오.

파이프구조나 전선의 위치를 알아두십시오.

전동공구에는 부드럽게 힘을(약 5Kg) 가하십시오.

과도한 힘은 드릴링의 속도를 늦추어주지 않고 수행력이 오히려 떨어지고 전동공구의 수명이 단축될 수 있습니다.

먼지뿜개에 손상을 주지 않도록 너무 깊이 구멍을 파거나 작동하지 마십시오.

언제나 양 손으로 확실히 전동공구를 잡고, 확실히 안전한 자세(fig. H)를 취하십시오. 항상 제대로 장착된 사이드핸들로 전동공구를 작동시키십시오.

스위치 On/Off(fig. A)

D25122/D25123/D25124

- 전동공구를 작동하기 위해서는 가변속 스위치(1)를 눌러야 합니다. 가변속 스위치에 가한 힘으로 전동공구의 속도가 결정됩니다.
- 지속적인 작동을 하려면 가변속 스위치를 누르고 아래로 잠거나, 잠금 버튼(2)을 누르고 스위치에서 손을 뺍니다.
- 전동공구를 멈추려면, 스위치를 놓습니다.
- 전동공구의 지속적인 작동을 멈추려면, 짧게 스위치를 누릅니다. 작업이 마쳤을 때나 플러그를 뽑기 전에는 항상 스위치를 끄십시오.

D25213

- 전동공구를 작동하기 위해서는 가변속 스위치(1)를 눌러야 합니다. 가변속 스위치에 가한 힘으로 전동공구의 속도가 결정됩니다.
- 전동공구를 멈추려면, 스위치를 놓습니다.
- 전동공구를 끄 상태로 고정시키려면, 전진/후진 슬라이더(3)를 가운데로 놓습니다.

해머 드릴링 (fig. A)

고형비트로 드릴링하기

- 모드 선택 스위치(4)를 ‘해머 드릴링’으로 설정합니다.
- 알맞은 드릴 비트를 삽입합니다. 최상의 결과를 얻으려면, 고품질 카바이드 팁 비트를 사용하십시오.
- 사이드 핸들(10)을 필요한 만큼 조정하십시오.
- 필요하다면, 드릴링 깊이를 설정하십시오.
- 드릴링 해야 하는 구멍이 있는 곳을 점으로 표시합니다.
- 그 점에 드릴 비트를 놓고 전동공구의 스위치를 켭니다.
- 작업이 끝날 때나 플러그를 뽑을 때에는 항상 스위치를 끄십시오.

코어비트로 드릴링하기

- 모드 선택(4)을 ‘해머 드릴링’에 맞춥니다.
- 사이드 핸들(10)을 필요한 만큼 조정하십시오.
- 알맞은 코어비트를 삽입합니다.
- 중앙드릴을 코어비트에 조립합니다.
- 구멍 위치에 중앙드릴을 놓고 가변속 스위치(1)를 눌러줍니다. 코어가 콘크리트에 약 1cm를 관통할 때까지 구멍을 뚫습니다.
- 드릴링을 멈추고 중앙드릴을 뺍니다. 코어비트를 그 구멍에 다시 놓고 드릴링을 계속합니다.
- 코어비트 깊이보다 두꺼운 구조를 드릴링 할 경우, 규칙적인 간격으로 비트 내부의 코어나 콘크리트의 라운드 실린더를 부습니다. 구멍 주위 콘크리트의 파괴를 원치 않는다면, 우선 그 구조를 통과하도록 중앙드릴 직경으로 완전하게 구멍을 뚫습니다. 그리고 나서 양쪽 면에서 구멍 중심으로 절반 정도 구멍을 뚫습니다.
- 작업이 끝날 때나 플러그를 뽑을 때에는 항상 스위치를 끄십시오.

회전 드릴링 (fig. A)

- 모드 선택 스위치(4)를 ‘회전 드릴링’에 맞춥니다.
- 전동공구에 따라, 다음의 사항 중 하나를 따르십시오.
 - 칩 어댑터와 칩을 조립합니다(D25122/ D25123/ D25213).
 - 홀터를 칩으로 교체합니다(D25124).
- 해머 드릴링에서 설명한 대로 과정을 따르십시오.



해머 드릴링 모드에서 절대 표준 칩을 사용하지 마십시오.

스크류드라이빙 (fig.A)

- 모드 선택 스위치(4)를 ‘회전 드릴링’에 맞춥니다.
- 회전 방향을 선택합니다.
- 전동공구에 따라, 다음 사항 중 하나를 따르십시오.
 - 6각형 스크류드라이버 비트를 사용하기 위해 특정 SDS-plus® 스크류드라이빙 어댑터를 삽입합니다(D25122/ D25123/ D25213).
 - 홀터를 칩으로 교체합니다(D25124).
- 알맞은 스크류드라이버 비트를 넣습니다. 흠이 있는 헤드 스크류를 사용할 때에는 항상 파인더 슬리브로 비트를 사용하십시오.

- 가변속 스위치(1)를 부드럽게 눌러 스크류 헤드가 손상되지 않도록 하십시오. 역회전(LH)에서는 쉽게 스크류를 제거하도록 전동공구 속도가 자동으로 떨어집니다.
- 스크류가 작업대상물에 맞닿아 있을 때, 스크류 헤드가 작업 대상물을 관통하지 않도록 가변속 스위치를 놓아줍니다.

사용한 부속품들은 SDS-plus® 부속품 주변으로 반드시 정기적으로 윤활제를 처리해야 합니다.



세척

환기부위를 깨끗이 하고, 보관 상자를 부드러운 천으로 정기적으로 깨끗이 닦아줍니다.



원하지 않는 도구와 환경

환경에 안전한 방법으로 버리려면 전동공구를 DEWALT 수리점으로 가져오십시오.

D25123/ D25124/ D25213 – 조각내기 및 치즐링 (fig.A)

- 모드 선택 스위치(4)를 ‘해머용’에 맞춥니다.
- 알맞은 치즐을 넣고 손으로 52개의 위치 중 하나로 고정하도록 치즐을 돌려줍니다.
- 사이드 핸들(10)을 필요한 만큼 조정하십시오.
- 전동공구의 전원을 켜고 작업을 시작합니다.
- 작업이 끝날 때나 플러그를 뽑을 때에는 항상 스위치를 끄십시오.



- 본 전동공구를 가연성이나 폭발성 액체 (벤젠, 알코올 등)를 섞어주거나 퍼올리는데 사용하지 마십시오.
- 인화성 액체를 섞거나 젖지 마십시오.

SDS-plus® 드릴 비트와 치즐의 종류가 다양하며 이를 선택하실 수 있습니다.

알맞은 부속품에 관해서는 판매원과 상의하십시오.

관리

DEWALT 전동공구는 최소한의 관리로 오랜 기간 작동하도록 고안되었습니다. 지속적인 안전한 작동은 올바른 기구 관리와 규칙적인 세척에 달려 있습니다.

- 본 기계는 사용자가 고칠 수 없습니다. 약 40시간 사용 후 DEWALT 수리점에 전동공구를 가져가십시오. 그 전에 문제가 생긴다면, DEWALT 수리점에 연락하십시오.
- 탄소 브러시가 닳게 되면 전동공구의 스위치가 자동적으로 꺼집니다.



윤활제 처리하기

본 전동공구는 윤활제를 처리할 필요가 없습니다.

D25122(K)/D25123(K)/D25124(K)/D25213(K) 型 重型旋转式冲击式电锤

祝贺!

您已选择了得伟工具。凭借多年的经验和产品开发及创新方面的不断努力，得伟已经成为专业电动工具用户的最可靠伙伴之一。

技术参数

		D25122	D25123	D25124	D25213
电压	伏	220-240	220-240	220-240	220-240
输入功率	瓦	800	800	800	800
空载速度	转/分	0 - 1,150	0 - 1,150	0 - 1,150	0 - 1,150
负载速度	转/分	0 - 830	0 - 830	0 - 830	0 - 830
冲击能量					
锤钻	焦耳	3,1	3,1	3,1	3,1
槌	焦耳	-	3,4	3,4	3,4
钢材 / 木材 / 混凝土					
最大钻孔范围	毫米	13/30/26	13/30/26	13/30/26	13/30/26
凿刀位置		-	52	52	52
软砖中的空心钻孔能力	毫米	68	68	68	68
夹头槽口		SDS-plus®	SDS-plus®	SDS-plus®	SDS-plus®
轴环直径	毫米	54	54	54	54
重量	千克	2.55	2.6	2.6	2.75

定义：安全指南

下列定义解释了各警示词的严重程度。请仔细阅读本手册，并注意警示符号的出现。



危险：表示紧急的危险情形，如不加以避免，**将导致死亡或严重伤害。**



警告：表示潜在的危险情形，如不加以避免，**可能导致死亡或严重伤害。**



警示：表示潜在的危险情形，如不加以避免，**可能导致轻度或中度伤害。**

注意：表示不涉及人身伤害的情况，如不加以避免，**可能导致财产损失。**



指示有触电风险。



指示存在火灾风险。



警告：为了减少受伤的危险，请阅读使用手册。

电动工具通用安全警告



警告：阅读所有警告和所有说明。不遵照以下警告和说明会导致电击、着火和/或严重伤害。

**保存所有警告和说明书
以备查阅。**

在所有下列的警告中术语“电动工具”指市电驱动（有线）电动工具或电池驱动（无线）电动工具。

a) 工作场地的安全

- 1) **保持工作场地清洁和明亮。**混乱和黑暗的场地会引发事故。
- 2) **不要在易爆环境，如有易燃液体、气体或粉尘的环境下操作电动工具。**电动工具产生的火花会点燃粉尘或气体。
- 3) **让儿童和旁观者离开后操作电动工具。**注意力不集中会使你失去对工具的控制。

b) 电气安全

- 1) 电动工具插头必须与插座相配。绝不能以任何方式改装插头。需接地的电动工具不能使用任何转换插头。未经改装的插头和相配的插座将减少电击危险。
- 2) 避免人体接触接地表面，如管道、散热片和冰箱。如果你身体接地会增加电击危险。
- 3) 不得将电动工具暴露在雨中或潮湿环境中。水进入电动工具将增加电击危险。
- 4) 不得滥用电线。绝不能用电线搬运、拉动电动工具或拔出其插头。使电线远离热源、油、锐边或运动部件。受损或缠绕的软线会增加电击危险。
- 5) 当在户外使用电动工具时，使用适合户外使用的外接软线。适合户外使用的软线将减少电击危险。
- 6) 如果在潮湿环境下操作电动工具是不可避免的，应使用剩余电流动作保护器（RCD）。使用RCD可减少电击危险。

c) 人身安全

- 1) 保持警觉，当操作电动工具时关注所从事的操作并保持清醒。当你感到疲倦，或在有药物、酒精或治疗反应时，不要操作电动工具。在操作电动工具时瞬间的疏忽会导致严重人身伤害。
- 2) 使用个人防护装置。始终佩戴护目镜。安全装置，诸如适当条件下使用防尘面具、防滑安全鞋、安全帽、听力防护等装置能减少人身伤害。
- 3) 防止意外起动。确保开关在连接电源和/或电池盒、拿起或搬运工具时处于关断位置。手指放在已接通电源的开关上或开关处于接通时插入插头可能会导致危险。
- 4) 在电动工具接通之前，拿掉所有调节钥匙或扳手。遗留在电动工具旋转零件上的扳手或钥匙会导致人身伤害。
- 5) 手不要伸展得太长。时刻注意立足点和身体平衡。这样在意外情况下能很好地控制电动工具。
- 6) 着装适当。不要穿宽松衣服或佩戴饰品。让你的衣服、手套和头发远离运动部件。宽松衣服、佩饰或长发可能会卷入运动部件中。
- 7) 如果提供了与排屑、集尘设备连接用的装置，要确保他们连接完好且使用得当。使用这些装置可减少尘屑引起的危险。

d) 电动工具使用和注意事项

- 1) 不要滥用电动工具，根据用途使用适当的电动工具。选用适当设计的电动工具会使你工作更有效、更安全。
- 2) 如果开关不能接通或关断工具电源，则不能使用该电动工具。不能用开关来控制的电动工具是危险的且必须进行修理。
- 3) 在进行任何调节、更换附件或贮存电动工具之前，必须从电源上拔掉插头和/或使电池盒与工具脱开。这种防护性措施将减少工具意外起动的危险。
- 4) 将闲置不用的电动工具贮存在儿童所及范围之外，并且不要让不熟悉电动工具或对这些说明不了解的人操作电动工具。电动工具在未经培训的用户手中是危险的。
- 5) 保养电动工具。检查运动件是否调整到位或卡住，检查零件破损情况和影响电动工具运行的其他状况。如有损坏，电动工具应在使用前修理好。许多事故由维护不良的电动工具引发。
- 6) 保持切削刀具锋利和清洁。保养良好的有锋利切削刃的刀具不易卡住而且容易控制。
- 7) 按照使用说明书，考虑作业条件和进行的作业来使用电动工具、附件和工具的刀头等。将电动工具用于那些与其用途不符的操作可能会导致危险。

e) 维修

- 1) 将你的电动工具送交专业维修人员，使用同样的备件进行修理。这样将确保所维修的电动工具的安全性。

电锤附加安全规则

- 戴好耳罩。暴露在噪声中会引起听力损伤。
- 使用随工具提供的辅助手柄。操作失手会引起人身伤害。
- 在切削附件可能触及暗线或其自身软线之处进行操作时，要通过绝缘握持面开握持工具。切削附件碰到带电导线会使工具外露的金属零件带电从而使操作者受到电击。
- 在工具可能触及隐藏的电线或本工具的电源线的操作情况下，须握持本工具的绝缘手柄进行操作。接触带电体会使工具外露金属件带电且造成操作人员电击。
- 使用夹具或其他可行的方法支撑并固定工件。用手握持或用身体支撑工件是不稳定的，这可能导致工件的失控。

- **佩戴安全护目镜或其他眼睛保护装置。**锤击操作将造成切屑飞出。飞出的粒子可能造成眼睛的永久性损伤。在粉尘操作环境下需佩戴防尘口罩或呼吸器，同时大部分情况下要佩戴听力保护装置。
- **要始终抓紧工具。**请勿在双手没有抓紧工具时操作。建议一直使用辅助手柄。单手操作此工具将导致失控。钻通或遇到硬材料比如棒材也可能是危险的。工具在使用前要紧固辅助手柄。
- **不要长时间操作此工具。**锤击的振动可能对手或手臂造成伤害。要戴上手套以减缓对手部的冲击，同时增加休息频次以降低伤害风险。
- **不要自己修理扁凿。**扁凿的修理要由专业人员完成。不正确地修理扁凿可能造成伤害。
- **操作此工具或更换钻头时须戴上手套。**操作期间工具上的可触及金属部件和钻头的温度可能会很高。同时细小的碎块可能会伤害到您裸露的双手。
- **在钻头完全停下之前不要放下此工具。**运转的钻头可能造成伤害事故。
- **更换钻头时不要使用锤子敲击。**因为敲出的金属碎片或材料切屑会造成伤害。
- **轻微磨损的扁凿可以通过研磨使其重新锋利。**
- **电源线要远离运转的钻头。**不要让电线缠绕您身体的任何部位。电线缠绕到旋转的钻头上可能导致人员伤害和失控。

套装内容

该产品套装包括：

- 重型旋转式冲击式电锤一台
- 侧面把手一个
- 深度调节杆一支
- 工具箱一个(仅适用于K型)
- 无锁夹头一个(D25124型)
- 使用手册一本

- 请仔细查看工具、部件和配件是否在运输途中有所损伤。
- 使用工具前，请耐心阅读、悉心理解本手册。

您的得伟重型旋转式冲击式电锤D25122/ D25123/ D25124/ D25213 的设计目的是，用于专业旋钻和锤钻，也可用于拧螺丝和轻型修琢、凿和拆毁用途，还可用于硬合金头空心钻探。

- 1 可变速开关
- 2 锁定按钮
(D25123/D25124)
- 3 正转/反转
- 4 模式选择器
- 5 安全锁扣
- 6 夹头槽口
- 7 防尘罩
- 8 锁圈(D25124)
- 9 深度调节杆
- 10 侧面手柄
- 11 深度杆固定夹

转矩限制离合器

所有旋转式冲击式电锤都配有一个转矩限制离合器，以降低钻头卡滞时传递给操作人员的最大转矩反作用力。这一特点也可防止齿轮装置和电动机停止转动。转矩限制离合器已由厂家设定，不可再作调整。

电气安全

该电机只有一种工作电压，请确认电源电压同牌上标明的电压一致。



该工具根据IEC60745标准设施双重绝缘，因此不需要地线。

使用延长线缆

如果需要使用延长线缆，请使用符合该工具电源输入规格(参见技术资料)的经核准的延长线缆。导线最小横截面积为1.0平方毫米。使用线缆卷筒时，应将线缆完全松开。

请参考以下表格。

线缆横截面积(平方毫米)	线缆额定电流(安培)						
0.75	6						
1.00	10						
1.50	15						
2.50	20						
4.00	25	0					
		线缆长度(米)					
		7.5	15	25	30	45	60
电压	安培	线缆额定电流(安培)					
115	0 - 2.0	6	6	6	6	6	1
	2.1 - 3.4	6	6	6	6	15	15
	3.5 - 5.0	6	6	10	15	20	20
	5.1 - 7.0	10	10	15	20	20	25
	7.1 - 12.0	15	15	20	25	25	-
230	12.1 - 20.0	20	20	25	-	-	-
	0 - 2.0	6	6	6	6	6	6
	2.1 - 3.4	6	6	6	6	6	6
	3.5 - 5.0	6	6	6	6	10	15
	5.1 - 7.0	10	10	10	10	15	15
7.1 - 12.0	15	15	15	15	20	20	
12.1 - 20.0	20	20	20	20	25	-	

安装及调试



安装调试前请拔掉工具的电源线。

设定工作模式(图B1及B2)

D25122(K) (图B1)

本工具可以用于两种工作模式。



旋钻模式：用于拧螺丝以及钢材、木材和塑料钻孔。



锤钻模式：用于混凝土和砖石钻孔操作。

D25123K/D25124K/D25213K(图B2)

本工具可以用于三种工作模式：



旋钻模式：用于拧螺丝以及钢材、木材和塑料钻孔。



锤钻模式：用于混凝土和砖石钻孔操作。



纯捶击模式：用于轻型修琢、鑿以及拆毀等用途。

此种模式下，本工具还可用作杠杆，以撬起滞塞的钻头。



钻头旋转模式：这是一种非工作模式，仅用于转动平凿，使之转动至所需的位置。

- 要选择操作模式，按下安全锁(5)并转动模式选择开关(4)，直到使之指向所要求模式的符号。
- 松开安全锁并检查确保模式选择开关锁定在对应位置上。



不要在工具运转时选择操作模式。

确定凿刀位置

凿刀可以放置并锁定在52个不同的位置上。

- 转动模式选择开关(4)直至它指向“钻头旋转”的位置。
- 转动凿刀至想要的位置。
- 将模式选择开关(4)转到“纯捶击”的位置上。
- 扭转凿刀直至它锁定在相应的位置上。

插入和去除SDS-plus®附件(图C)

本工具使用SDS-plus®附件(请参阅图B中的小图，那里提供了SDS-plus®钎柄的截面图)。

我们推荐您仅使用专业配件。

- 清洁钎柄并给其上润滑油。
- 将钎柄插入到槽口中(6)。
- 将钻头往下推，轻轻转动它，直至其进入开槽中。
- 拉扯钻头，检查其是否锁定恰当。
捶击功能要求钻头锁定在刀夹中时能够轴向移动几个厘米。
- 要去除钻头，将夹头(12)回按，并拉出钻头。

安装侧面手柄(图D)

适当安装侧面手柄(10)，可以使之既适应于右撇子，又适应于左撇子。



使用钻机时，切记将把手适当地装配好。

- 拧松侧面手柄。
- 对于右撇子用户，将侧面手柄夹钳绕过夹头后面的轴环，使手柄位于左侧。
- 对于左撇子用户，将侧面手柄夹钳绕过夹头后面的轴环，使手柄位于右侧。
- 将侧面手柄旋转到想要的位置，并将其拧紧。

设定钻孔深度(图E)

- 如上插入所要求的钻头。
- 按下深度杆固定夹钳(11)并保持按下位置。
- 将深度调节杆(9)穿过深度杆固定夹钳中的孔。
- 如图所示调节钻孔深度。
- 松开深度杆固定夹钳。

正向/反向滑块(图F1及F2)

D25122/D25123/D25124(图 F1)

- 将正向/反向滑块(3)推到右手边以便进行正向(右手)旋转。请参考工具上的箭头。
- 将正向/反向滑块(3)推到左手边以便进行反向(左手)旋转。

D25213 (图 F2)

- 将正向/反向滑块(3)推到左手边以便进行正向(右手)旋转。请参考工具上的箭头。
- 将正向/反向滑块(3)推到右手边以便进行反向(左手)旋转。



切记等到发动机完全停止才能改变旋转方向。

D25122/D25123/D25213

安装夹头连接器及夹头

- 将夹头旋进夹头连接器带螺纹的一端。
- 将连接好的夹头和连接器作为一个标准的SDS-plus® 钻头插入工具中。

- 需要拆除夹头时，与拆除标准SDS-plus® 钻头的操作相同。



千万不要在锤钻模式下使用标准夹头。

D25124- 用夹头替代夹头(图G)

- 将锁圈(8)转到开锁位置，并将刀夹槽(6)拉出。
- 将夹头(13)推到轴上，并将锁圈转到锁定位置。
- 要将刀夹替代夹头，首先以去除刀夹的方式去除夹头，然后以放置夹头的方式放置刀夹。



千万不要在锤钻模式下使用标准夹头。

更换防尘罩(图C)

防尘罩(7)防止灰尘进入机械内部。防尘罩破损应立即更换。

- 将刀夹锁定套(12)拉回并拉出防尘罩(7)。
- 装上新的防尘罩。
- 释放刀夹锁定套。

使用说明



- 请务必遵守安全说明和相关适用规则。

留意管道系统和布线的位置。

给工具施加轻度的压力(约5千克)。过度用力并不能加快钻孔速度，反而会降低工具的工作表现，还可能缩短工具的使用寿命。

不要钻得或推得太深，以免损坏防尘罩。

用双手紧握工具，保证安全的站姿(图H)。侧面手柄恰当固定后再操作工作。

开关工具电源(图A)

D25122/D25123/D25124

- 要启动工具，按下可变速开关(1)。施加给可变速开关的压力大小，决定工具运行速度的快慢。
- 要持续操作，按住可变速开关，按下锁定按钮(2)并松开开关。
- 要停止工具，松开开关。
- 要让连续工作的工具停止运行，快速按下开关并释放之。切记在工作完成时和拔下插头前关闭工具。

D25213

- 要启动工具，按下可变速开关(1)。施加给可变速开关的压力大小，决定工具运行速度的快慢。
- 要停止工具，松开开关。
- 要在将工具锁定在关闭状态，将正向/反向滑块(3)移到中间位置。

锤钻(图A)

用坚固钻头进行钻孔

- 将模式选择开关(4)设置到“锤钻”的位置上。
- 插入合适的钻头。为达到最佳钻孔效果，请使用高质量的顶部为硬质合金的钻头。
- 调整侧面手柄(10)到相应的位置上。
- 如有必要，设置钻孔深度。
- 标记要钻孔的位置。
- 将钻头放置在要钻孔的位置上，启动工具。
- 切记工作完成后，在拔下插头前，一定要关闭工具。

用取芯钻头进行钻孔

- 将模式选择开关(4)设置到“锤钻”的位置上。
- 调整侧面手柄(10)到相应的位置上。
- 插入合适的取芯钻头。
- 将中心孔钻装配到取芯钻头里面。
- 将中心孔钻放置在要钻孔的位置上，按下可变速开关(1)，启动钻机进行钻孔，直到孔钻钻入混凝土中大约一厘米深。
- 停止钻孔，取出中心孔钻。将取芯钻头放回孔中继续钻孔。

- 当要对一个厚度超过中心孔钻深度的结构进行钻孔时，需定期剥离钻头周围的混凝土或清理钻头内芯。为避免在钻孔周围作不必要的混凝土剥离，可以先对要钻孔的结构钻透一个直径为中心孔钻的小孔，然后再在该结构的两侧各钻入该结构厚度的一半深度。
- 切记工作完成后，在拔下插头前，一定要关闭工具。

旋钻(图A)

- 将模式选择开关(4)设置到“旋钻”的位置上。
- 根据你的工具，遵守下列指引之一：
 - 安装夹盘连接器/组件 (D25122/D25123/D25213)。
 - 用夹盘替换刀架(D25124)。
- 如锤钻中所描述的方式一般进行钻孔。



在锤钻模式中，切记不要使用标准夹盘。

拧螺丝(图A)

- 将模式选择器开关(4)设定到“旋钻”位置。
- 选择旋转方向。
- 根据你的工具，遵守下列指引之一：
 - 插入专用的SDS-plus® 螺杆驱动连接器与六角螺丝起子头一起使用(D25122/D25123/D25213)。
 - 用夹盘替换刀夹(D25124)。
- 插入合适的螺丝起子头。
 - 在使用开槽头螺丝钉，须使用带轴套的钻头。
- 轻轻按下可变速开关(1)以防损坏螺钉头。当反向(左手)旋转时，工具速度自动减慢，以便更简单地取出螺钉。
- 当螺丝钉与工件齐平时，松开可变速开关以防螺钉头刺入工件。

D25123/D25124/D25213-- 修琢与鏖(图A)

- 将模式选择开关(4)设置到“纯捶击”的位置上。
- 插入合适的凿刀，用手旋转之使之锁定在52个位置中的一个上。
- 调整侧面手柄(10)到相应的位置上。
- 启动工具开始工作。
- 切记工作完成后，在拔下插头前，一定要关闭工具。



- 不要将本工具用于搅拌或抽吸易燃易爆液体(如：汽油、酒精等)。
- 不要混合或搅拌标示为可燃的液体。

我们还提供各种类型的SDS-plus® 钻头和凿刀可供选择。

请联系您的经销商，征询有关适当配件的进一步信息。

维护

您购买的得伟电动工具经过精心设计，具有寿命长、维修简易的特点。持续理想的运作性能依赖于妥善保养和经常清洁。

- 本机器不可由用户进行维护。使用大约40小时以后，您需要将工具交给授权的得伟维修点进行维护。如果在此之前出现问题，请联络授权的得伟维修点。
- 碳刷磨损时，工具会自动关闭。



润滑

您购买的电动工具无须额外的润滑。

但是，对所使用的附件和配件必须定期在SDS-plus® 装配处周围进行润滑。



清洁

请保持通风口的干净并经常用软抹布清洁工具外壳。



废弃工具与环境

将您废弃的工具拿到授权的得伟维修点，他们会以对环境安全的方式处置您的工具。

制造商：百得德国公司

制造商地址：德国

产地：江苏苏州工业园区苏虹中路200号出口加工区

D25122(K)/D25123(K)/D25124(K)/D25213(K) 型 強力型免出力衝擊鎚鑽

祝賀!

您已選擇了得偉工具。憑借多年的經驗和產品開發及創新方面的不斷努力，得偉已經成為專業電動工具用戶的最可靠伙伴之一。

請注意！各地區上市產品/配件不盡相同，請依台灣繁體中文說明書的內容為主。

技術參數

		D25122	D25123	D25124	D25213
電壓	伏	115	115	115	115
輸入功率	瓦	800	800	800	800
空載速度	轉/分	0 - 1,150	0 - 1,150	0 - 1,150	0 - 1,150
負載速度	轉/分	0 - 830	0 - 830	0 - 830	0 - 830
衝擊能量					
鎚擊能量	焦耳	3.1	3.1	3.1	3.1
擊	焦耳	-	3.4	3.4	3.4
鋼材 / 木材 / 混凝土					
最大鑽孔範圍	毫米	13/30/26	13/30/26	13/30/26	13/30/26
鑿刀角度		-	52	52	52
圓穴鑽孔能力(磚牆)	毫米	68	68	68	68
夾頭型式		SDS-plus®	SDS-plus®	SDS-plus®	SDS-plus®
軸環直徑	毫米	54	54	54	54
重量	千克	2.55	2.6	2.6	2.75

K指外配工具箱

在此手冊中，將使用下列標誌：



表示違反此手冊中的相關規定將可能造成的人身傷害、生命危險和設備損壞。



有觸電危險。



火災。

一般電動工具安全警告



警告！請閱讀所有的安全警告和說明。不依照其警告和說明可能導致電擊、火災和/或嚴重損傷事故的發生。

應保存所有的警告和說明以備將來參考

本警告中的術語“電動工具”指的是電源驅動（電纜）的電動工具或電池驅動（無電纜）的電動工具。

1) 工作區安全

- 保持工作區整齊清潔並有良好的照明。混亂或黑暗的工作區將引起意外。
- 請勿在易爆炸環境中操作此電動工具，例如在易燃液體、氣體或灰塵的地方。電動工具產生的火花將點燃這些易燃的灰塵或煙霧顆粒。
- 當操作此電動工具時兒童和旁觀者要遠離操作區。因此產生的注意力不集中可能導致失控。

2) 電力安全

- a) 電動工具插頭必須與插座吻合。在任何情況下都不要更換插頭。
- b) 身體要避免接觸地面，例如管子、散熱器、排放管和冰箱。如果您的身體接地了，將增加電擊的風險。
- c) 請勿把電動工具暴露在雨水或濕的環境中。電動工具接觸水將增加電擊的風險。
- d) 請勿濫用電線。不要使用電線運送、拖拉或拔去電動工具。電線要遠離熱、油、尖銳的邊或活動的部件。損壞或糾纏在一起的電線將增加電擊的風險。
- e) 當在戶外操作電動工具時，應使用適合戶外的延長電線。使用合適戶外的電線將降低電擊的風險。
- f) 如果在濕氣的環境中使用電動工具，要用剩餘電流裝置（RCD）保護電源。使用此RCD可以降低電擊的風險。

3) 個人安全

- a) 保持警覺，操作電動工具，留意所從事的操作。切勿在疲倦，受藥物、酒精或治療影響的情況下操作電動工具。在操作電動工具期間精力分散會導致嚴重人身傷害
- b) 使用個人防護裝置。要戴護眼罩。防護裝置，例如在適當條件下的防塵面具、防滑安全鞋、安全帽、聽力防護等裝置能減少人身傷害。
- c) 防止無意啟動。在連接電源和/或電池組、拿起或攜帶工具之前要確保開關在off位置。攜帶電動工具時手指在開關位置或通電的電動工具將引起意外。
- d) 在電動工具啟動之前，拿掉所有調節鑰匙或扳手。遺留在電動工具旋轉零件上的扳手或鑰匙會導致人身傷害。
- e) 不要過度拉伸。必須保持正確的站姿和平衡。這樣更能防止電動工具出現的任何意外情況。

- f) 穿著正確。不要穿寬鬆的衣服或戴首飾。頭髮、衣服和手套要遠離活動的部件。因為寬鬆的衣服、首飾或長的頭髮可能纏在活動的部件裏。
- g) 如果設備配置了灰塵提取和收集裝置，則要確保它們被正確地連接好並適當使用。使用灰塵收集裝置可以降低灰塵引起的危險。

4) 電動工具使用和注意事項

- a) 請勿往電動工具上施力。正確使用電動工具。選用適當的設計額定值的電動工具會使你工作更有效、更安全。
- b) 如果開關失效的話請不要使用此電動工具。使用任何開關失效的電動工具都是危險的，此工具必須維修妥當後方能使用。
- c) 在調整、更換附件或儲存電動工具之前要把插頭從電源上拔出和/或電池組要從電動工具上拿出。這種預防性安全措施可以降低電動工具被意外啟動的風險。
- d) 將閒置電動工具貯存在兒童所不能接觸之範圍，並且任何不熟悉此電動工具或說明的人都禁止操作此工具。未經過培訓的使用者操作此電動工具是非常危險的。
- e) 對電動工具進行保養。檢查活動部件的安裝誤差或連接情況，部件的損壞以及其他可能影響電動工具作業的情況。如有損壞，在使用之前維修電動工具。很多意外均由工具缺乏保養所造成的。
- f) 保持鑽頭鋒利和清潔。正確地保養帶有鋒利切割邊的鑽頭可使其卡住的可能性變小且能更容易進行控制。
- g) 要在說明中規定的工作條件下和需要使用此工具工作中使用此電動工具、附件和刀具等。在未規定的條件下使用電動工具可能會造成危險事故的發生。

5) 維修

- a) 電動工具維修必須由專業維修人員完成，並且只能更換使相同規格的部件。從而確保電動工具的安全性。

電錘鑽另外的具體安全規則

- 戴上聽力保護裝置。噪音可能導致失聰。
- 使用與此工具附設的輔助手把。失控可能造成人員傷害。
- 在切削刀具可能接觸隱藏的電線或本來的導線的地方進行操作時，要用絕緣面靠著刀具進行夾持。
- 使用夾具或其他切實可行的方法以支撐並穩定平臺上的工件。用手抓住或身體靠住工件是不穩定的，這可能導致工件失控。
- 佩戴安全護眼罩或其他眼睛保護裝置。錘擊動作將造成切屑飛出。飛出的粒子可能造成眼睛的永久性損傷。佩戴防塵口罩或呼吸器來阻止產生的塵埃。大部分情況下要佩戴聽力保護裝置。
- 要經常緊握工具。在雙手沒有牢牢緊握它時不要試圖操作此工具。建議一直使用側手柄。單手操作此工具將導致失控。鑽通或遇到硬的材料例如棒材也可能是危險的。在使用前要固定此側手柄。
- 不要長時間操作此工具。錘子的振動可能對您的手或手臂造成傷害。要配戴手套以加倍保護雙手，及經常休息減低雙手外露。
- 不要自己修理鑽頭。鑿子要由及資格的專業人員修理。不正確地修理鑿子可能造成傷害。
- 當操作此工具或更換鑽頭時要戴上手套。操作期間工具上的附加金屬部件和鑽頭可能會非常熱。易碎材料製作小鑽頭可能會傷害到您外露的雙手。
- 在鑽頭完全停下來之前不要拿下此工具。運轉的鑽頭可能造成損傷事故。
- 不要使用錘子敲擊鑽頭來拿下它們。因為可能敲掉金屬碎片或材料碎屑並可能造成傷害。
- 輕微磨損的鑿子可以通過研磨使其重新鋒利。
- 電源線要遠離運轉的鑽頭。不要讓電線纏到您身體的任何部位。電線纏到旋轉的鑽頭上可能導致個人傷害和失控。

套裝內容

該產品套裝包括：

- 強力型免出力衝擊鎚鑽一台
- 輔助把手一組
- 深度調節杆一支
- 工具箱一個(僅適用於K型)
- 免鑰匙夾頭一個(D25124 型)
- 使用手冊一本

- 請仔細查看工具、部件和配件是否在運輸途中有所損傷。
- 使用工具前，請耐心閱讀、悉心理解本手冊。

您的得偉強力型免出力衝擊鎚鑽D25122/ D25123/ D25124/ D25213 的設計目的是，用於專業旋鑽和鎚鑽，也可用於鎖螺絲和輕型修琢、鑿和拆毀用途，還可用於圓穴鑽探。

- 1 變速開關
- 2 鎖定按鈕 (D25123/D25124)
- 3 正轉/反轉
- 4 模式選擇器
- 5 安全鎖扣
- 6 夾頭槽口
- 7 防塵罩
- 8 鎖圈(D25124)
- 9 深度調節杆
- 10 側手柄
- 11 深度杆固定夾

轉矩限制離合器

所有免出力衝擊鎚鑽都配有一個轉矩限制離合器，以降低鑽頭卡住時傳遞給操作人員的最大轉矩反作用力。這一特點也可防止齒輪裝置和電動機停止轉動。轉矩限制離合器已由廠家設定，不可再作調整。

電氣安全

該電機只有一種工作電壓，請確認電源電壓同名牌上標明的電壓一致。



該工具根據IEC60745標準設施雙重絕緣，因此不需要地線。

使用延長線

如果需要使用延長線，請使用符合該工具電源輸入規格(參見技術資料)所核準的延長線。導線最小橫截面積為1.5平方毫米。使用延長線時，應將延長線完全鬆開。

請參考以下表格。

纜纜橫截面積(平方毫米)		纜纜額定電流(安培)					
0.75		6					
1.00		10					
1.50		15					
2.50		20					
4.00		25					
		0					
		纜纜長度(米)					
		7.5	15	25	30	45	60
電壓	安培	纜纜額定電流(安培)					
115	0 - 2.0	6	6	6	6	6	1
	2.1 - 3.4	6	6	6	6	6	15
	3.5 - 5.0	6	6	10	15	20	20
	5.1 - 7.0	10	10	15	20	20	25
	7.1 - 12.0	15	15	20	25	25	-
230	12.1 - 20.0	20	20	25	-	-	-
	0 - 2.0	6	6	6	6	6	6
	2.1 - 3.4	6	6	6	6	6	6
	3.5 - 5.0	6	6	6	6	10	15
	5.1 - 7.0	10	10	10	10	15	15
7.1 - 12.0	15	15	15	15	20	20	
12.1 - 20.0	20	20	20	20	25	-	

安裝及調試



安裝調試前請拔掉工具的電源線。

設定工作模式(圖B1及B2)

D25122(K) (圖B1)

本工具可以用於兩種工作模式。



平鑽模式：用於鎖螺絲以及鋼材、木材和塑料鑽孔。



錐鑽模式：用於混凝土和磚石鑽孔操作。

D25123K/D25124K/D25213K(圖B2)

本工具可用之工作模式：



平鑽模式：用於鎖螺絲以及鋼材、木材和塑料鑽孔。



錐鑽模式：用於混凝土和磚石鑽孔操作。



錐擊模式：用於輕型修琢、鑿以及拆毀等用途。

此種模式下，本工具還可用作槓桿，以撬起滯塞的鑽頭。



鑽頭旋轉模式：這是一種非工作模式，僅用於轉動平鑿，使之轉動至所需的角度調整。

- 要選擇操作模式，按下安全鎖(5)並轉動模式選擇開關(4)，直到使之指向所要求模式的符號。
- 鬆開安全鎖並檢查確保模式選擇開關鎖定在對應位置上。



不要在工具運轉時選擇操作模式。

確定鑿刀位置

鑿刀可以放置並鎖定在52個不同的位置上。

- 轉動模式選擇開關(4)直至它指向“鑽頭旋轉”的位置。
- 轉動鑿刀至想要的位置。
- 將模式選擇開關(4)轉到“錐擊”的位置上。
- 扭轉鑿刀直至它鎖定在相應的位置上。

置入和卸下SDS-plus® 附件(圖C)

本工具使用SDS-plus® 附件(請參閱圖B中的小圖，那裏提供了SDS-plus® 鑽柄的截面圖)。

我們推薦您僅使用專業配件。

- 清潔鉛柄並給其上潤滑油。
- 將鉛柄插入到槽口中(6)。
- 將鑽頭往下推，輕輕轉動它，直至其進入開槽中。

- 拉扯鑽頭，檢查其是否鎖定恰當。鎚擊功能要求鑽頭鎖定在刀夾中時能夠軸向移動幾個厘米。
- 要去除鑽頭，將夾頭(12)回按，並拉出鑽頭。

安裝輔助把手(圖D)

適當安裝輔助把手(10)，可以使之既適應於右撇子，又適應於左撇子。



使用鑽機時，切記將輔助把手適當地裝配好。

- 轉鬆輔助把手。
- 對於右撇子，將輔助把手夾鉗繞過夾頭後面的軸環，使手柄位於左側。
- 對於左撇子，將輔助把手夾鉗繞過夾頭後面的軸環，使手柄位於右側。
- 將輔助把手旋轉到想要的位置，並將其轉緊。

設定鑽孔深度(圖E)

- 如上插入所要求的鑽頭。
- 按下深度杆固定夾鉗(11)並保持按下位置。
- 將深度調節杆(9)穿過深度杆固定夾鉗中的孔。
- 如圖所示調節鑽孔深度。
- 鬆開深度杆固定夾鉗。

正向/反向滑塊(圖F1及F2)

D25122(K)/D25123K/D25124K(圖F1)

- 將正向/反向滑塊(3)推到右手邊以便進行正向(右手)旋轉。請參考工具上的箭頭。
- 將正向/反向滑塊(3)推到左手邊以便進行反向(左手)旋轉。

D25213K(圖F2)

- 將正向/反向滑塊(3)推到左手邊以便進行正向(右手)旋轉。請參考工具上的箭頭。
- 將正向/反向滑塊(3)推到右手邊以便進行反向(左手)旋轉。



切記等到發動機完全停止才能改變旋轉方向。

D25112(K)/D25113K/D25213K

安裝夾頭連接器及夾頭

- 將夾頭旋進夾頭連接器帶螺紋的一端。

- 將連接好的夾頭和連接器作為一個標準的SDS-plus[®]鑽頭插入工具中。
- 需要拆除夾頭時，與拆除標準SDS-plus[®]鑽頭的操作相同。



千萬不要在鎚鑽模式下使用標準夾頭。

D25124K-用夾頭替代夾頭(圖G)

- 將鎖圈(8)轉到開鎖位置，並將四溝快速夾頭(6)拉出。
- 將夾頭(13)推到軸上，並將鎖圈轉到鎖定位置。
- 要將四溝快速夾頭替代一般自動夾頭，首先以去四溝快速夾頭的方式去除夾頭，然後以放置夾頭的方式放置刀夾。



千萬不要在鎚鑽模式下使用標準夾頭。

更換防塵罩(圖C)

防塵罩(7)防止灰塵進入機械內部。防塵罩破損應立即更換。

- 四溝快速夾頭滑套(12)拉回並拉出防塵罩(7)。
- 裝上新的防塵罩。
- 釋放四溝快速夾頭滑套。

使用說明



- 請務必遵守安全說明和相關適用規則。

留意管道系統和佈線的位置。

給工具施加輕度的壓力(約5千克)。過度用力並不能加快鑽孔速度，反而會降低工具的工作表現，還可能縮短工具的使用壽命。

不要鑽得或推得太深，以免損壞防塵罩。

用雙手緊握工具，保持安全的站姿(圖H)。側手柄恰當固定後再操作工作。

開關工具電源(圖A)

D25122(K)/D25123K/D25124K

- 要啟動工具，按下可變速開關(1)。施加開關的壓力大小，決定工具運行速度的快慢。
- 要持續操作，按住開關，按下鎖定按鈕(2)並鬆開開關。

- 要停止工具，鬆開開關。
- 要讓連續工作的工具停止運行，快速按下開關並釋放之。切記在工作完成時和拔下插頭前關閉工具。

D25213

- 要啓動工具，按下變速開關(1)。施加開關的壓力大小，決定工具運行速度的快慢。
- 要停止工具，鬆開開關。
- 要在將工具鎖定在關閉狀態，將正向/反向滑塊(3)移到中間位置。

鎚鑽(圖A)

用堅固鑽頭進行鑽孔

- 將模式選擇開關(4)設置到“鎚鑽”的位置上。
- 插入合適的鑽頭。為達到最佳鑽孔效果，請使用高質量的頂部為硬質合金的鑽頭。
- 調整側面手柄(10)到相應的位置上。
- 如有必要，設置鑽孔深度。
- 標記要鑽孔的位置。
- 將鑽頭放置在要鑽孔的位置上，啓動工具。
- 切記工作完成後，在拔下插頭前，一定要關閉工具。

用取芯鑽頭進行鑽孔

- 將模式選擇開關(4)設置到“鎚鑽”的位置上。
- 調整側手柄(10)到相應的位置上。
- 插入合適的取芯鑽頭。
- 將中心孔鑽裝配到取芯鑽頭裏面。
- 將中心孔鑽放置在要鑽孔的位置上，按下變速開關(1)，啓動鑽機進行鑽孔，直到孔鑽鑽入混凝土中大約一厘米深。
- 停止鑽孔，取出中心孔鑽。將取芯鑽頭放回孔中繼續鑽孔。
- 當要對一個厚度超過中心孔鑽深度的結構進行鑽孔時，需定期清理鑽頭周圍的混凝土或清理鑽頭內芯。為避免在鑽孔周圍作不必要的混凝土剝離，可以先對要鑽孔的結構鑽透一個直徑為中心孔鑽的小孔，然後再在該結構的兩側各鑽入該結構厚度的一半深度。

- 切記工作完成後，在拔下插頭前，一定要關閉工具。

平鑽(圖A)

- 將模式選擇開關(4)設置到“平鑽”的位置上。
- 根據你的工具，遵守下列指引之一：
 - 安裝夾盤連接器/組件(D25122/D25123/D25213)。
 - 用夾盤替換刀架(D25124)。
- 如鉗鑽中所描述的方式一般進行鑽孔。



在鉗鑽模式中，切記不要使用標準夾盤。

鑽螺絲(圖A)

- 將模式選擇器開關(4)設定到“旋鑽”位置。
- 選擇旋轉方向。
- 根據你的工具，遵守下列指引之一：
 - 插入專用的SDS-plus® 螺桿驅動連接器與六角螺絲起子頭一起使用(D25122/D25123/D25213)。
 - 用夾盤替換刀夾(D25124)。
- 插入合適的螺絲起子頭。
在使用開槽頭螺絲釘，須使用帶軸套的鑽頭。
- 輕輕按下變速開關(1)以防損壞螺絲釘頭。當反向(左手)旋轉時，工具速度自動減慢，以便更簡單地取出螺釘。
- 當螺絲釘與工件齊平時，鬆開變速開關以防螺釘頭刺入工件。

D25123/D25124/D25213-- 修琢與鑿(圖A)

- 將模式選擇開關(4)設置到“純鎚擊”的位置上。
- 插入合適的鑿刀，用手旋轉之使之鎖定在52個位置中的一個上。
- 調整側手柄(10)到相應的位置上。
- 啓動工具開始工作。
- 切記工作完成後，在拔下插頭前，一定要關閉工具。



- 不要將本工具用於攪拌或抽吸易燃易爆液體(如：汽油、酒精等)。
- 不要混合或攪拌標示為可燃的液體。

我們還提供各種類型的SDS-plus® 鑽頭和鑿刀可供選擇。

請聯繫您的經銷商，徵詢有關適當配件的進一步信息。

維護

您購買的得偉電動工具經過精心設計，具有壽命長、維修簡易的特點。持續理想的運作性能依賴於妥善保養和經常清潔。

- 本機器不可由用戶自行維護。如使用上有任何疑慮，請聯絡授權的得偉維修點；如工具出現問題，您需要將工具交給授權的得偉維修點進行維護，以避免個人權益受損。
- 碳刷磨損時，工具會自動關閉。



潤滑

您購買的電動工具無須額外的潤滑。

但是，對所使用的附件和配件必須定期在SDS-plus® 裝配處周圍進行潤滑。



清潔

請保持通風口的乾淨並經常用軟抹布清潔工具外殼。



廢棄工具與環境

將您廢棄的工具拿到授權的得偉維修點，他們會以對環境安全的方式處置您的工具。

製造年份或機號:如機體或外箱所示

進口商:新加坡商百得電動工具(股)公司台灣分公司

地址:台北市士林區德行西路33號2樓

電話:02-28341741

總經銷商：永安實業股份有限公司

地址：新北市三重區新北大道二段137號

電話：02-29994633

สว่านเจาะกระแทกแบบโรตารีสำหรับงานหนัก D25122(K)/D25123(K)/D25124(K)/D25213(K)

ยินดีด้วยครับ!

ท่านได้เลือกใช้เครื่องมือจาก DEWALT ด้วยประสบการณ์หลายปีที่ผ่านมาในการพัฒนาผลิตภัณฑ์และนวัตกรรมขั้นเลิศ ทำให้ DEWALT เป็นหนึ่งในเครื่องมือไฟฟ้าที่น่าเชื่อถือสำหรับผู้ใช้งานระดับมืออาชีพมากที่สุด

ข้อมูลทางด้านเทคนิค

		D25122	D25123	D25124	D25213
แรงดันไฟฟ้า	โวลต์	220-240	220-240	220-240	220-240
กำลังไฟเข้า	วัตต์	800	800	800	800
ความเร็วขณะหมุนเปล่า	min ⁻¹	0 - 1,1 50	0 - 1,1 50	0 - 1,1 50	0 - 1,1 50
ความเร็วขณะใช้เจาะ	min ⁻¹	0 - 830	0 - 830	0 - 830	0 - 830
พลังงานในการกระแทก					
การเจาะกระแทก	จูล	3.1	3.1	3.1	3.1
การสกัด	จูล	-	3.4	3.4	3.4
ช่วงสูงสุดที่เจาะได้ในเหล็ก/ไม้/คอนกรีต	ม.ม	13/30/26	13/30/26	13/30/26	13/30/26
ตำแหน่งสกัด		-	52	52	52
ความสามารถในการเจาะอิฐเบา	ม.ม	68	68	68	68
ตามจับของเครื่องมือ		SDS-plus®	SDS-plus®	SDS-plus®	SDS-plus®
เส้นผ่าศูนย์กลางก้านเจาะ	ม.ม	54	54	54	54
น้ำหนัก	ก.ก	2.55	2.6	2.6	2.75

สัญลักษณ์ดังต่อไปนี้จะใช้ตลอดคู่มือฉบับนี้:



แสดงความเสี่ยงที่อาจเกิดการบาดเจ็บต่อบุคคล สูญเสียชีวิต หรือสร้างความเสียหายต่อเครื่องมือได้ หากไม่ได้ปฏิบัติตามข้อแนะนำในคู่มือเล่มนี้



แสดงความเสี่ยงที่อาจเกิดไฟฟ้าดูดได้



อันตรายจากอัคคีภัย

คำเตือนด้านความปลอดภัยของเครื่องมือไฟฟ้าทั่วไป



คำเตือน!

ให้อ่านคำเตือนเกี่ยวกับความปลอดภัยและคำแนะนำทั้งหมด

การไม่ปฏิบัติตามคำเตือนหรือคำแนะนำนี้อาจก่อให้เกิดไฟฟ้าช็อตไฟไหม้และ/หรือบาดเจ็บสาหัสได้

เก็บรักษาคำเตือนและคำแนะนำทั้งหมดไว้ในภายหลังในภายหลัง

ศัพท์เทคนิคคำว่า "เครื่องมือไฟฟ้า" ในคำเตือน

หมายถึงเครื่องมือไฟฟ้าที่ใช้พลังงานไฟฟ้า (แบบมีสายเคเบิล)

เป็นแรงขับ หรือใช้แบตเตอรี่ (ไร้สายเคเบิล) เป็นแรงขับ

1) ความปลอดภัยในบริเวณทำงาน

- a) รักษาความปลอดภัยในการทำงานและเมื่อแสงสว่างพอเพียง การระงับระยะหรือความมืดในบริเวณที่ทำงานเป็นสาเหตุของอุบัติเหตุใดก็ตาม
- b) ห้ามใช้งานเครื่องมือไฟฟ้าในบริเวณที่เกิดระเบิดได้ เช่น บริเวณใกล้ของเหลว ก๊าซ หรือละอองที่ไหม้ไฟได้ง่าย เพราะประกายไฟที่เกิดจากเครื่องมือไฟฟ้าอาจจุดไฟของหรือของไอระเหยของสิ่งเหล่านี้
- c) เมื่อใช้งานเครื่องมือไฟฟ้าให้เด็กและผู้ชมอยู่ห่างบริเวณทำงาน การไม่ปฏิบัติตามอาจทำให้ความคุ้มครองการทำงานเครื่องมือไฟฟ้าไม่เกิด

2) ความปลอดภัยต่อไฟฟ้า

- a) หนีล็กของเครื่องมือไฟฟ้าต้องเข้ากับตัวกับเต้าเสียบปลั๊ก ห้ามดัดแปลงหัวปลั๊กในทุกรณ ห้ามใช้ปลั๊กอะแดปเตอร์ที่รูปลั๊กกับเครื่องมือไฟฟ้า ปลั๊กเสียบเติมและเต้าปลั๊กที่เข้ากันไม่ได้จะลดความเสี่ยงจากไฟฟ้าช็อต
- b) ร่างกายต้องหลีกเลี่ยงการสัมผัสกับผิวของพื้น เช่น ท่อเหล็ก เครื่องระบายความร้อน ท่อระบายน้ำและตู้เย็น การงอตัวของท่อน้ำสัมผัสที่จะเพิ่มความเสี่ยงจากไฟฟ้าช็อต
- c) ห้ามมิให้เครื่องมือไฟฟ้าอยู่ในสภาวะที่มีฝนหรือเปียกชื้น เครื่องมือไฟฟ้าสัมผัสถูกน้ำจะเพิ่มอันตรายจากไฟฟ้าช็อต
- d) ให้ใช้สายเคเบิลแบบถนอม ห้ามใช้สายเคเบิลในกรณีขึง ลากหรือดึงปลั๊กของเครื่องมือไฟฟ้า ให้สายเคเบิลห่างไกลจากความร้อน น้ำมัน ขอบของมุมคม หรืออุปกรณ์เคลื่อนที่ สายเคเบิลที่ชำรุดหรือพันกันยุ่งเพิ่มอันตรายจากไฟฟ้าช็อต
- e) เมื่อใช้งานเครื่องมือไฟฟ้าในที่กลางแจ้ง ต้องใช้สายเคเบิลเสริมความยาวที่เหมาะสมสำหรับใช้กลางแจ้ง
- f) การใช้สายเคเบิลที่เหมาะสมสำหรับใช้กลางแจ้งจะลดความเสี่ยงจากไฟฟ้าช็อต
- f) ถ้าจำเป็นต้องใช้เครื่องมือไฟฟ้าในสถานที่ชื้น ต้องใช้เครื่องมือป้องกันไฟฟ้าดูด (RCD) การใช้เครื่องมือป้องกันไฟฟ้าดูด จะลดความเสี่ยงจากไฟฟ้าช็อต

3) ความปลอดภัยส่วนบุคคล

- a) ให้ระมัดระวังอยู่เสมอ มอดูลส์ที่ทำงานทั่วและใช้สามัญสำนึกขณะมีดะรงในขณะใช้เครื่องมือไฟฟ้า ห้ามใช้เครื่องมือไฟฟ้าในขณะที่ท่านเหน็ดเหนื่อย หรืออยู่ในอิทธิพลของยา แอลกอฮอล์ หรือกำลังรักษาตัวอยู่ เพียงชั่วขณะทีละเล็กละน้อยในขณะที่ใช้งานเครื่องมือไฟฟ้า อาจทำให้มีอุบัติเหตุบาดเจ็บสาหัสได้
- b) ให้ใช้อุปกรณ์ป้องกันตนเอง

ต้องใส่แว่นป้องกันด้วยเสมอ และใช้อุปกรณ์ที่เหมาะสมในสภาวะต่างๆ เช่นหมวกกันน็อกในฝุ่น รองเท้านิรภัยป้องกันเส้นหมวกนิรภัย หรือเครื่องป้องกันการได้ยิน ซึ่งจะลดการบาดเจ็บตรงๆ

- c) ป้องกันการคิดเครื่องมือผิดใจ ต้องแน่ใจว่าสวิทช์อยู่ในตำแหน่งปิด ก่อนเชื่อมต่อกับแหล่งจ่ายไฟ และ/หรือชุดแบตเตอรี่ การรับช็อกหรือพบฟ้าแลบเครื่องมือ การนำพาเครื่องมือไฟฟ้าโดยที่มือหรือที่สวิทช์ หรือต่อไฟฟ้าไว้โดยสวิทช์เปิดอยู่ จะทำให้เกิดอุบัติเหตุใดก็ตาม
 - d) ก่อนเปิดสวิทช์เครื่องมือไฟฟ้า ให้แน่ใจว่าอุปกรณ์ปรับเครื่องมือหรือประแจทั้งหมด ถูกปรับหรือปรับแต่งมอดูลเข้าที่ในส่วนที่หมุนของอุปกรณ์ อาจทำให้บาดเจ็บได้
 - e) ห้ามดึงเกินขนาด ให้รักษาลักษณะทางและความสมดุลให้ถูกต้องตลอดเวลา การทำเช่นนี้จะช่วยให้ควบคุมเครื่องมือในเหตุการณ์ไม่คาดคิดได้ง่ายขึ้น
 - f) ส่วนใส่เสื้อผ้าให้ถูกต้อง ห้ามใส่เสื้อผ้าที่หลวมหรือเครื่องประดับ ให้หมั่นเปลี่ยนและถ่วงมือจากชิ้นส่วนที่เคลื่อนไหว เพราะเสื้อผ้าที่หลวม เครื่องประดับ หรือผมที่ยาวสามารถติดพันในชิ้นส่วนที่เคลื่อนไหวได้
 - g) อุปกรณ์ชนิดตั้งเชื่อมต่อกับตัวคุณ และอุปกรณ์จัดเก็บฝุ่น ให้แน่ใจว่าสิ่งเหล่านี้ได้เชื่อมต่อกับและใช้อย่างถูกต้อง การใช้อุปกรณ์จัดเก็บฝุ่นสามารถอันตรายที่ก่อตัวฝุ่นได้
- 4) การใช้เครื่องมือไฟฟ้าและชั่วคราวระงับ**
- a) ห้ามใช้แรงดึงกับเครื่องมือไฟฟ้า ใช้เครื่องมือไฟฟ้าที่เหมาะสมกับงานของคุณและปลอดภัยกว่าตามอัตราที่ออกแบบมา
 - b) ห้ามใช้เครื่องมือไฟฟ้ากาวสวิทช์เปิดสลับ การใช้เครื่องมือไฟฟ้าที่สวิทช์เปิดสลับเป็นอันตราย ต้องทำการซ่อมให้ถูกต้องจึงควมามายใช้ ห้ามทำการปรับรีด้า เปลี่ยนอุปกรณ์เสริม หรือจัดเก็บเครื่องมือไฟฟ้า
 - c) ให้ถอดปลั๊กไฟจากแหล่งจ่ายไฟ และ/หรือชุดแบตเตอรี่จากเครื่องมือไฟฟ้า มาตรการป้องกันความปลอดภัยเช่นนี้จะลดความเสี่ยงจากการเปิดสวิตช์เครื่องมือไฟฟ้าโดยอุบัติเหตุ จึงเกิดเครื่องมือไฟฟ้าที่หยุดใช้งานในทางจากมอดูล และห้ามบุคคลผู้ซึ่งไม่คุ้นเคยกับเครื่องมือไฟฟ้าหรือคำแนะนำเหล่านี้ใช้เครื่องมือไฟฟ้าทำงาน จะเป็นสิ่งอันตรายที่เครื่องมือไฟฟ้าถูกใช้โดยผู้ที่ไม่ได้รับการฝึกหัดมาก่อน
 - e) การบำรุงรักษาเครื่องมือไฟฟ้า ให้ตรวจสอบชิ้นส่วนที่เคลื่อนไหวว่าติดตั้งตรงดีไหม หรือมีเงื่อนไขที่ที่สามารถมีผลต่อการทำงานของเครื่องมือไฟฟ้า ถ้ามีความเสียหาย ให้นำเครื่องมือไฟฟ้าไปซ่อมให้เรียบร้อยก่อนใช้
 - f) ระวังอุบัติเหตุจำนวนมากเกิดจากสาเหตุของการไม่บำรุงรักษาเครื่องมือไฟฟ้า
 - f) รักษาเครื่องมือตัดให้คมและสะอาด การบำรุงรักษาเครื่องมือตัดที่มีใบตัดคมให้ถูกต้องจะลดความหนืด และควบคุมเครื่องมือได้ง่าย
 - g) ให้ใช้เครื่องมือไฟฟ้า อุปกรณ์เสริมและดอกสว่านเป็นต้นให้สอดคล้องกับคำแนะนำ วิทยพิจารณาให้เหมาะสมกับสภาพการทำงานและลำ

ลักษณะของงาน
กาใช้เครื่องมือไฟฟ้ากับงานที่ดูจจากที่กำหนดไว้สำ
มารเกิดเหตุการณ์อันตรายได้

5) การบริการ

- a) การซ่อมแซมเครื่องมือไฟฟ้าต้องทำโดยผู้เชี่ยวชาญ
ในการซ่อมแซมเท่านั้น และใช้อะไหล่ที่เหมือนกัน
ซึ่งจะทำให้มั่นใจว่าความปลอดภัยในเครื่องมือไฟฟ้ายัง
ดำรงอยู่

กฎความปลอดภัยเฉพาะที่เพิ่มเติมสำหรับการใช้ส่วนกระแทกโรตารี

- ตรวจสอบป้องกันเสียงดัง เสียงดังอาจทำให้หูหนวกได้
- ใช้ตัวช่วยมีฉนวนที่เข้ากับเครื่องมือ
- ตรวจสอบคมเครื่องมือไฟฟ้าโดยทำให้คมคลอบตาเจ็บได้
- ให้อับเครื่องมือไฟฟ้าโดยใช้พื้นผิวตัวจับที่เป็นฉนวน
เมื่อทำงานในตำแหน่งที่เครื่องมือตัดอาจสัมผัสสายไฟที่ห
ลนอยู่ หรือสายเคเบิลของตนเอง
- การสัมผัสกับสายไฟที่มีกระแสอยู่จะทำให้และถูกชิ้นส่วน
ที่เป็นโลหะของเครื่องมือ และไฟช็อตผู้ใช้เครื่องมือได้
- การใช้ตัวหนีบหรือวิธีที่ใดผลอื่น ๆ
เพื่อยึดและค่าพ่วงซึ่งงานบนนิวตงานที่มั่นคง
การใช้มือหรือร่างกายจับยึดชิ้นงานเป็นสิ่งที่ไม่มั่นคงและ
อาจทำให้เกิดจากการควบคุมไม่ดี
- ใส่แนวป้องกันหย่นตาหรืออุปกรณ์ป้องกันหย่นตาอย่างอื่น
การในส่วนกระแทกจะเกิดเศษชิ้นส่วนปลิวกระเด็นออกมา
ชิ้นส่วนที่ปลิวออกมาสามารถทำให้หย่นตาเสียหายอย่างก
การกัด ให้ใส่หน้ากากป้องกัน
หรือเครื่องหายใจสำหรับการทำงานที่เกิดฝุ่น
ในการทำงานส่วนใหญ่อาจจำเป็นต้องใส่เครื่องป้องกันเส
ียงดัง
- ให้อับเครื่องมือนี้ให้แน่นตลอดเวลา
อย่าพยายามใช้เครื่องมือนี้ทำงานในขณะที่ไม่ได้อับแน่น
ด้วยมือทั้งสอง และนำไปใช้ตัวมีฉนวนข้างด้วยตลอดเวลา
การใช้เครื่องมือนี้ทำงานโดยใช้มือข้างเดียวอาจทำให้หล
ตการควบคุมไม่ดี การเจาะทะลุหรือเจาะวัตถุแข็ง เช่น
วัตถุแข็ง อาจเกิดอันตรายได้เช่นกัน
ให้อับตัวมีฉนวนข้างให้แน่นก่อนใช้งาน
- อย่าใช้เครื่องมือนี้เกินเวลานาน
การสัมผัสที่ต่อเนื่องที่เกิดจากการกระแทกจะทำให้มือและแขน
ของท่านบาดเจ็บได้
ให้ใช้กลุ่มมีเพื่อลดการกระแทกและจำกัดการถูกสั่นเพื่อ
หนีโดยจัดช่วงเวลาพักให้บ่อยขึ้น
- อย่าซ่อมหัวส่วนด้วยตนเอง
การชดเชยข้อจำกัดของกระทำได้โดยผู้เชี่ยวชาญที่ได้รับการ
อนุญาต
การซ่อมแซมเครื่องมือนี้โดยผู้ไม่ถูกต้องอาจทำให้เกิดการ
บาดเจ็บได้
- ให้อับเครื่องมือนี้ใช้เครื่องมือทำงานหรือเปลี่ยนดอกสว่าน
ในระหว่างการใช้งาน
ชิ้นส่วนที่เป็นโลหะและดอกสว่านในเครื่องมือจะร้อนมาก
เศษชิ้นเล็ก ๆ
ของวัตถุที่แตกอาจทำคามเสียหายต่อมือเปลือยเปล่าได้
- ห้ามวางเครื่องมือนี้ก่อนที่ส่วนจะหยุดเรียบรอย
ดอกสว่านที่เคลื่อนไหวนำสามารถทำให้บาดเจ็บได้
- ห้ามใช้คนหยุดดอกสว่านเพื่อถอดออกมา
เศษแตกของโลหะหรือชิ้นวัตถุโลหะสามารถหลุดออกมา
และทำให้บาดเจ็บได้
- ดอกสว่านที่บิ่นเสียหายเล็กน้อยสามารถทำให้คมกลับมามี
คมได้โดยการเจียร
- ระวังให้สายไฟฟ้าห่างจากหัวส่วนที่กำลังหมุน
อย่าให้สายไฟพันเข้ากับร่างกายส่วนใด ๆ ของท่าน
ถ้าสายไฟพันเข้ากับหัวส่วนที่กำลังหมุนอาจทำให้เกิดกา
ราบาดเจ็บและควบคุมเครื่องมือไม่ได้

สิ่งที่บรรจุมารด้วย

- ส่วนเจาะกระแทกแบบโรตารีสำหรับงานหนัก 1 ชิ้น
- ด้ามจับด้านข้าง 1 ชิ้น
- ก้านปรับความลึก 1 ชิ้น
- กลองอุปกรณ์ (สำหรับรุ่น K เท่านั้น) 1 ชุด
- หัวจับดอกสว่านแบบไม่ใช้ประแจ (D25124) 1 อัน
- คู่มือการใช้งาน 1 เล่ม

• ตรวจสอบว่าเครื่องมือ ชิ้นส่วน หรืออุปกรณ์ใดๆ ได้รับ
ความเสียหายในระหว่างการขนส่งหรือไม่

• อ่านและทำความเข้าใจคู่มือการใช้งานเล่มนี้อย่าง
ละเอียดก่อนการใช้งาน

ส่วนเจาะกระแทกแบบโรตารีสำหรับใช้งานหนักรุ่น
D25122 / D25123 / D25124 / D25213 ได้รับการ
ออกแบบมาสำหรับการเจาะกระแทก การขึ้นสกรู การสกัด
การใช้งานหรือถอน และสำหรับดอกสว่านทั้งสแตนเลสคาร์ไบด์

- 1 สวิตช์ปรับความเร็ว
- 2 ปุ่มล็อก (D25122 /D25123 /D25124)
- 3 ที่รับเดินหน้า/ถอยหลัง
- 4 ที่เลือกวิธีการเจาะ
- 5 ล็อกนิรภัย
- 6 ด้ามจับของเครื่องมือ
- 7 ฝาปิดกันฝุ่น
- 8 ปลอกรัด (D25124)
- 9 ก้านปรับความลึก
- 10 ด้ามจับด้านข้าง
- 11 ที่หนีบตัวกำหนดความลึก

คลังขั้วจำกัดแรงบิด

ส่วนกระแทกแบบโรตารีทุกเครื่องจะมีคลังขั้วจำกัดแรงบิด
ซึ่งช่วยลดแรงต้านแรงบิดที่ส่งผ่านมายังผู้ใช้งานในกรณีที่มี
การติดขัดของดอกสว่าน นอกจากนี้ คุณสมบัตินี้ยังช่วย
ป้องกันขูดเฟืองและมอเตอร์ไฟฟ้าจากการติดขัด คลังขั้ว
จำกัดแรงบิดจะได้รับติดตั้งมาจากโรงงานและไม่
สามารถปรับตั้งได้

ความปลอดภัยทางไฟฟ้า

มอเตอร์ไฟฟ้าได้รับการออกแบบมาสำหรับแรงดันเพียงค่า
เดียวเท่านั้น ควรตรวจสอบแรงดันของแหล่งจ่ายไฟทุกครั้ง
ว่าตรงกับแรงดันที่อยู่บนแผ่นป้ายบอกพิกัดแรงดันหรือไม่



เครื่องมือ DEWALT ของท่านมีการหุ้มฉนวนสองชั้นตามมาตรฐาน IEC60745 ดังนั้นจึงไม่จำเป็นต้องใช้สายดิน

การใช้สายไฟต่อพ่วง

หากจำเป็นต้องใช้สายไฟต่อพ่วง ให้ใช้เฉพาะสายพ่วงที่เหมาะสมกับกำลังไฟด้านเข้าของเครื่องมือรุ่นนี้เท่านั้น (ดูในข้อมูลทางด้านเทคนิค) พื้นที่หน้าตัดของลวดตัวนำต้องมีขนาดอย่างต่ำ 1.5 ตารางมม.

เมื่อใช้สายไฟแบบดลัมมัน ให้ดึงสายไฟออกมาจนสุดทุกครั้ง นอกจากนี้ ให้ดูตารางด้านล่างนี้ประกอบ

ขนาดสายไฟ (mm ²)	พิกัดของสายไฟ (แอมป์)	ความยาวสายไฟ (ม.)						
0.75	6	7.5	15	25	30	45	60	
1.00	10							
1.50	15							
2.50	20							
4.00	25							
		ความยาวสายไฟ (ม.)						
แรงดันไฟฟ้า	แอมแปร์	พิกัดของสายไฟ (แอมป์)	7.5	15	25	30	45	60
115	0 – 2.0	6	6	6	6	6	6	10
	2.1 – 3.4	6	6	6	6	6	15	15
	3.5 – 5.0	6	6	10	15	20	20	20
	5.1 – 7.0	10	10	15	20	20	20	25
	7.1 – 12.0	15	15	20	25	25	-	-
230	12.1 – 20.0	20	20	25	-	-	-	-
	0 – 2.0	6	6	6	6	6	6	6
	2.1 – 3.4	6	6	6	6	6	6	6
	3.5 – 5.0	6	6	6	6	6	10	15
	5.1 – 7.0	10	10	10	10	10	15	15
7.1 – 12.0	15	15	15	15	20	20	20	
12.1 – 20.0	20	20	20	20	25	-	-	

การประกอบและการปรับตั้ง



ก่อนที่จะประกอบหรือปรับตั้งใดๆ ให้ถอดปลั๊กเครื่องมือก่อนทุกครั้ง

การเลือกโหมดการทำงาน (รูป B1 & B2)

D25122 รูป (B1)

เครื่องมือนี้สามารถใช้งานได้ใหม่โหมดการใช้งานดังต่อไปนี้:



การเจาะแบบหมุน: สำหรับการขันสกรูและ สำหรับการเจาะเหล็ก ไม้ และพลาสติก



การเจาะกระแทก: สำหรับการเจาะคอนกรีต และผนังก่อ

D25113 /D25114 /D25213 (รูป B2)

เครื่องมือนี้สามารถใช้งานได้ใหม่โหมดการใช้งานดังต่อไปนี้:



การเจาะแบบสว่าน: สำหรับการขันสกรูและ สำหรับการเจาะเหล็ก ไม้ และพลาสติก



การเจาะกระแทก: สำหรับการเจาะคอนกรีต และผนังก่อ



การกระแทกอย่างเดี่ยว: สำหรับการ ใช้งาน ถาก สกัด แล่งงานหรือถอน

ในโหมดนี้ เครื่องมือสามารถใช้ในการจัด ดอก สว่านที่ติดขัดได้



การหมุนดอกสว่าน: เป็นตำแหน่งที่ไม่ใช้งาน เพื่อใช้ในการหมุนสกัดปากแบบแบนให้ เข้าไปอยู่ในตำแหน่งที่ต้องการ

- การเลือกวิธีการเจาะทำได้โดยการกดสวิตช์ (5) และหมุนที่เลือกวิธีการเจาะ (4) ไปจนชี้ที่สัญลักษณ์ของวิธีการเจาะที่ต้องการ
- ปลดสวิตช์เลือกวิธีการแล้วตรวจสอบว่าสวิตช์เลือกวิธีการเจาะล็อกเข้าที่แล้ว



อย่าเลือกวิธีการเจาะในขณะที่เครื่องมือกำลังทำงานอยู่

การกำหนดตำแหน่งของสว่าน

เครื่องมือนี้สามารถกำหนดและล็อกตำแหน่งของสว่านได้ 52 ตำแหน่ง "การหมุนดอกสว่าน"

- หมุนสวิตช์เลือกวิธีการเจาะ (4) ให้ชี้ไปที่ตำแหน่ง
- หมุนมือสว่านให้อยู่ในตำแหน่งที่ต้องการ
- หมุนสวิตช์เลือกโหมด (4) "ไปที่ ตำแหน่ง "กระแทกอย่างเดี่ยว"
- บิดหัวสว่านกว่าจะล็อกเข้าที่

การใส่และถอดอุปกรณ์เสริม SDS-plus® (รูป C)

เครื่องมือนี้ใช้งานร่วมกับอุปกรณ์เสริม SDS-plus® (ดูภาพตัดขวางของก้านดอกสว่าน SDS-plus® ได้ในภาพประกอบ B)

ขอแนะนำให้ใช้อุปกรณ์เสริมระดับขางมืออาชีพเท่านั้น

- ทำความสะอาดก้านดอกสว่านและหยอดน้ำมัน
- ใส่ก้านดอกสว่านเข้าไปในที่ยึด (6)
- ใส่ดอกสว่านลงและค่อยๆ หมุนจนกว่าจะ เข้าว่อง
- ลองดึงดอกสว่านเพื่อดูว่าดอกสว่านล็อกเข้าที่หรือไม่
ในการใช้งานแบบเจาะกระแทก เมื่อล็อกเข้าไปในที่
ยึด ดอกสว่านจะต้องสามารถเคลื่อนไหวตามแนวแกน
ได้ หลวมเช่นเดิมตรา
- การถอดดอกสว่านทำได้โดยการดึงปลอกล็อกของ ที่
ยึด (12) ออก และดึงดอกสว่านออก

การติดตั้งมีดจับด้านข้าง (รูป D)

สามารถประกอบมีดจับด้านข้าง (10) เข้าไปเพื่อ ให้เหมาะ
กับการใช้งานได้ทั้งผู้ใช้ที่ถนัดมือซ้าย หรือมือขวา



ใช้เครื่องมือที่ประกอบด้วยมีดจับด้านข้างอย่าง
ถูกต้องทุกครั้ง

- คลายด้ามจับด้านข้าง
- สำหรับผู้ใช้ที่ถนัดขวา ให้เลื่อนที่หนีบด้ามจับด้านข้าง
มาอยู่ด้านหลังของตัวยึด โดยให้ด้ามจับหันไป
ทางซ้าย
- สำหรับผู้ใช้ที่ถนัดซ้าย ให้เลื่อนที่หนีบด้ามจับด้าน
ข้างมาอยู่ด้านหลังของตัวยึด โดยให้ด้ามจับหันไป
ทางขวา
- หมุนปรับด้ามจับด้านข้างให้อยู่ในตำแหน่งที่ต้องการ
และขันด้ามจับให้แน่น

การตั้งความลึกเจาะ (รูป E)

- ใส่ดอกสว่านที่ต้องการใช้ตามรายละเอียดข้างต้น
- กดที่หนีบตัวกำหนดความลึก (11) และค้างไว้
- ใส่ก้านปรับความลึก (9) ผ่านรูในที่หนีบตัว กำหนด
ความลึก
- ปรับตั้งความลึกในการเจาะดังแสดงในรูป
- ปลอยที่หนีบตัวกำหนดความลึก

ที่ปรับเดินหน้า/ ถอยหลัง (รูป F1 & F2)

D25122 /D25123 /D25124 (รูป F1)

- ดันที่ปรับเดินหน้า/ถอยหลัง (3) ไปยังด้านขวา
สำหรับการหมุนไปข้างหน้า (RH) ดูลูกศรบนเครื่องมือ
- ดันที่ปรับเดินหน้า/ถอยหลัง (3) ไปยังด้านซ้าย
สำหรับการหมุนย้อนกลับ (LH)

D25213 (รูป F2)

- ดันที่ปรับเดินหน้า/ถอยหลัง (3) ไปยังด้านซ้าย
สำหรับการหมุนไปข้างหน้า (RH) ดูลูกศรบน
เครื่องมือ
- ดันที่ปรับเดินหน้า/ถอยหลัง (3) ไปยังด้านขวาสำหรับ
การหมุนย้อนกลับ



รอนจนกระทั่งมอเตอร์หยุดนิ่งสนิท ก่อนที่จะ
เปลี่ยนทิศทางหมุน

D25122 / D25 123 /D25213 -

การประกอบหัวจับดอกสว่าน & ตัวปรับ

- ขันหัวจับดอกสว่านเข้าไปในเกลียวของตัวปรับ หัวจับ
ดอกสว่าน
- ใส่หัวจับดอกสว่านที่ต่อกับตัวปรับเข้าไปในเครื่องมือ
เหมือนกับเป็นดอกสว่าน SDS-plus[®] มาตรฐาน
ทั่วไป
- การถอดหัวจับดอกสว่าน สามารถทำได้เหมือนการ
ถอด ดอกสว่าน SDS-plus[®]



มาตรฐานทั่วไปห้ามใช้หัวจับดอกสว่านใน
โหมดการเจาะกระแทก

D25124 - การเปลี่ยนที่ยึดเครื่องมือด้วยหัวจับ ดอกสว่าน (รูป G)

- หมุนปลอกรัด (8) ให้อยู่ในตำแหน่งปลดล็อก และดึงที่
ยึดเครื่องมือ (6) ออกมา
- ใส่หัวจับดอกสว่าน (13) เข้าไปบนแกนและ หมุน
ปลอกรัดให้ไปอยู่ในตำแหน่งล็อก
- ในการเปลี่ยนหัวจับดอกสว่านด้วยที่ยึดเครื่องมือ ให้
ถอดหัวจับดอกสว่านด้วยวิธีเดียวกับที่ใช้ถอด ที่ยึด
เครื่องมือ หลังจากนั้นจึงใส่ที่ยึดเครื่องมือ ด้วยวิธี
เดียวกับที่ใส่หัวจับดอกสว่าน



ห้ามใช้หัวจับดอกสว่านมาตรฐานกับโหมด
การเจาะกระแทก

การเปลี่ยนฝาปิดกันฝุ่น (รูป C)

ฝาครอบกันฝุ่น (7) ป้องกันฝุ่นเข้าไปในกลไกของเครื่อง
หากฝาครอบกันฝุ่นฉีกขาดให้ทำการเปลี่ยนใหม่ทันที

- ดึงปลอกล็อกที่ยึดเครื่องมือ (12) และดึงฝาครอบ
(7) ออก
- ใส่ฝาครอบกันฝุ่นอันใหม่เข้าไป
- ปลอยปลอกล็อกที่ยึดเครื่องมือ

ข้อแนะนำในการใช้งาน



- ให้ศึกษาข้อแนะนำด้านความปลอดภัยในการ
ใช้งานและข้อกำหนดที่เกี่ยวข้องอยู่เสมอ

- ใช้ความระมัดระวังท่อหรือสายไฟที่อาจอยู่ในบริเวณนั้น
- ใช้แรงกดเครื่องมืออย่างนุ่มนวล (ประมาณ 5 ก.ก.) การใช้แรงมากเกินไปไม่ได้ทำให้ความเร็วในการเจาะเพิ่มขึ้น แต่จะเป็นการลดประสิทธิภาพของเครื่องมือและอาจจะทำให้อายุการใช้งานของเครื่องมือสั้นลง
- อย่าเจาะลึกเกินไปเพื่อป้องกันไม่ให้เกิดการเสียหายต่อฝาครอบกันฝุ่น
- จับเครื่องมือให้มั่นคงโดยใช้สองมือตลอดเวลา และรักษาท่ายืนให้มั่นคง (รูป H) ใช้เครื่องมือที่ประกอบด้วยตามจับด้านข้างอย่างถูกต้องทุกครั้ง

การเปิดและปิดเครื่อง (รูป A)

D25122 /D25123 /D25124

- ถ้าต้องการให้เครื่องมือทำงาน ให้กดสวิตช์ปรับความเร็ว (1) แร่งที่กดบนสวิตช์ปรับความเร็วจะเป็นตัวกำหนดความเร็วของเครื่องมือ
- ในการใช้งานแบบต่อเนื่อง ให้กดสวิตช์ปรับความเร็วค้าง กดปุ่มล็อก (2) แล้วจึงปล่อยสวิตช์เปิด/ปิด
- เมื่อต้องการหยุดเครื่องมือ ให้ปล่อยสวิตช์
- หากต้องการหยุดการทำงานแบบต่อเนื่อง ให้กดสวิตช์ชั่วคราวและปล่อยออก ให้ปิดสวิตช์เครื่องก่อนที่จะถอดปลั๊กทุกครั้งที่เสร็จสิ้นการใช้งาน

D25213

- ถ้าต้องการให้เครื่องมือทำงาน ให้กดสวิตช์ปรับความเร็ว (1) แร่งที่กดบนสวิตช์ปรับความเร็วจะเป็นตัวกำหนดความเร็วของเครื่องมือ
- เมื่อต้องการหยุดเครื่องมือ ให้ปล่อยสวิตช์
- ถ้าต้องการล็อกเครื่องมือในตำแหน่งปิด เลื่อนที่ปรับเดินหน้า/ถอยหลัง (3) ไปยังตำแหน่งตรงกลาง

การเจาะกระแทก (รูป A)

การเจาะด้วยดอก solid bit

- หมุนสวิตช์เลือกโหมด (4) ไปที่ตำแหน่ง "เจาะกระแทก"
- ใส่ดอกสว่านที่เหมาะสม เพื่อให้ได้ประสิทธิภาพสูงสุด ให้ใช้ดอกสว่านทั้งสแตนเลสคาร์ไบด์
- ปรับตามจับด้านข้าง (10) ตามที่ต้องการ
- ให้ตั้งความรู้สึกในการเจาะตามความจำเป็น
- ทำจุดเครื่องหมายบนตำแหน่งที่จะทำการเจาะรู
- ตั้งดอกสว่านให้ตรงกับจุดที่จะเจาะและเปิดสวิตช์ของเครื่อง
- ให้ปิดสวิตช์เครื่องก่อนที่จะถอดปลั๊กทุกครั้งที่เสร็จสิ้นการใช้งาน

การเจาะดอก core bit

- หมุนสวิตช์เลือกโหมด (4) ไปที่ตำแหน่ง "เจาะกระแทก"
- ปรับตามจับด้านข้าง (10) ตามที่ต้องการ
- ใส่ดอกสว่านที่เหมาะสม
- ใส่ดอกเจาะนำศูนย์เข้าไปในดอก core bit
- ตั้งดอกเจาะนำศูนย์ให้ตรงจุดที่จะเจาะและกดสวิตช์ปรับความเร็ว (1) เจาะจนกว่าดอกสว่านจะเจาะเข้าไปในคอนกรีตประมาณ 1 ซม.
- หยุดเจาะและถอดดอกเจาะนำศูนย์ออก ใส่ดอก core bit กลับเข้าไปในรูและทำการเจาะต่อ
- ในการเจาะผ่านโครงสร้างที่หนากว่าความลึกของดอกสว่าน ให้แบ่งคอนกรีตออกเป็นช่วงๆ เพื่อหลีกเลี่ยงการแตกคอนกรีตรอบๆ รูที่เจาะ ให้เจาะรูโดยใช้ดอกเจาะนำให้ทะลุผ่านโครงสร้างดังกล่าวก่อน หลังจากนั้นให้เจาะคอนกรีตครึ่งทางจากแต่ละด้านเข้ามา
- ให้ปิดสวิตช์เครื่องก่อนที่จะถอดปลั๊กทุกครั้ง ที่เสร็จสิ้นการใช้งาน

การใช้งานเจาะแบบหมุน (รูป A)

- หมุนสวิตช์เลือกโหมด (4) ไปที่ตำแหน่ง "การเจาะแบบสวน"
- ปฏิบัติตามข้อแนะนำการใช้งานที่เหมาะสมกับเครื่องมือของท่านตามด้านล่างนี้:
 - ทำการใส่ตัวปรับหัวจับดอก/หัวจับดอก (D25122 /D25123 /D25213)
 - ทำการเปลี่ยนที่ยึดเครื่องมือด้วยหัวจับดอกสว่าน (D25124)
- ทำการเจาะด้วยวิธีการเดียวกันกับการเจาะกระแทก



ห้ามใช้หัวจับดอกสว่านมาตรฐานกับโหมดการเจาะกระแทก

การใช้งานสำหรับชั้น (รูป A)

- หมุนสวิตช์เลือกโหมด (4) ไปที่ตำแหน่ง "การเจาะแบบหมุน"
- เลือกทิศทางการหมุน
- ปฏิบัติตามข้อแนะนำการใช้งานที่เหมาะสมกับเครื่องมือของท่านตามด้านล่างนี้:
 - ใส่ตัวปรับสำหรับการขึ้นสกรู SDS-plus® แบบพิเศษสำหรับดอกไขควงแบบหกเหลี่ยม (D25122 /D25123 /D25213)
 - ทำการเปลี่ยนที่ยึดเครื่องมือด้วยหัวจับดอกสว่าน (D25124)

- ใส่ดอกไขควงที่เหมาะสม ในการขันสกรูหัวร่องให้ใช้ดอกสว่านที่มีปลอกหน้า
- คอยๆ กดสวิตช์ปรับความเร็ว (1) เพื่อป้องกันหัวสกรูเสียหาย ในการหมุนกลับด้าน (LH) เครื่องจะลดความเร็วรอบลงโดยอัตโนมัติ เพื่อให้สามารถถอนสกรูได้ง่าย
- เมื่อสกรูจมลงไปในการทำงานแล้ว ให้ปล่อยสวิตช์ปรับความเร็วเพื่อป้องกันหัวสกรูไม่ให้กินเข้าไปในการทำงาน



การหลอ่สน

เครื่องมือไฟฟ้าของท่านไม่จำเป็นต้องมีการหลอ่สน

อุปกรณ์เสริมและอุปกรณ์ประกอบต่างๆ ที่ใช้งานจะต้องได้รับการหลอ่สนอย่างสม่ำเสมอรอบๆ ส่วนที่ประกอบด้วย SDS-plus®

D25123/D25124 /D25213 - การถากและการสกัด (รูป A)

- หมุนสวิตช์เลือกโหมด (4) ไปที่ ตำแหน่ง "กระแทกอย่างเดียว"
- ใส่ดอกสกัดที่เหมาะสมและหมุนด้วยมือ ให้ล็อกยังตำแหน่งใดตำแหน่งหนึ่งใน 52 ตำแหน่ง
- ปรับด้ามจับด้านข้าง (10) ตามที่ต้องการ
- เปิดสวิตช์เครื่องและเริ่มใช้งาน
- ให้ปิดสวิตช์เครื่องก่อนที่จะถอดปลั๊กทุกครั้งเพื่อเสร็จสิ้นการใช้งาน



การทำความสะดวก

ดูแลให้ช่องระบายอากาศไม่อุดตันและทำความสะอาดตัวเครื่องเป็นประจำด้วยผ้านุ่ม



- ห้ามใช้เครื่องมือนี้ในการผสมหรือบีบของเหลวที่ติดไฟหรือระเบิดได้ง่าย (น้ำมันเบนซิน แอลกอฮอล์ ฯลฯ)
- ห้ามผสมหรือคนของเหลวไวไฟที่มีป้ายดังกล่าวติด

มีดอกสว่านและดอกสกัด SDS-plus® ให้เลือกใช้หลายประเภท

สอบถามข้อมูลเพิ่มเติมเกี่ยวกับอุปกรณ์เสริมที่เหมาะสมได้จากตัวแทนจำหน่าย

การบำรุงรักษา

เครื่องมือไฟฟ้า DEWALT ของท่านได้รับการออกแบบให้สามารถใช้งานได้เป็นระยะเวลายาวนานโดยไม่ต้องมีการบำรุงรักษามากนัก การดูแลและทำความสะอาดเครื่องมืออย่างถูกต้อง จะช่วยให้สามารถใช้งานเครื่องมือได้อย่างสมบูรณ์และต่อเนื่อง

- เครื่องมือนี้ไม่ใช่เครื่องมือที่ผู้ใช้สามารถซ่อมได้เอง ให้นำเครื่องไปที่ตัวแทนซ่อมที่ได้รับอนุญาตจาก DEWALT หลังจากที่ได้ใช้งานไป 40 ชั่วโมง ถ้ามีปัญหาในการใช้งานก่อน 40 ชั่วโมง ให้ติดต่อตัวแทนซ่อมที่ได้รับอนุญาตจาก DEWALT
- เครื่องมือนี้จะปิดลงเองโดยอัตโนมัติเมื่อแปร่งถ่านสี่ก



เครื่องมือที่ไม่ใช่แล้วและการปกป้องสิ่งแวดล้อม

ให้นำเครื่องไปที่ตัวแทนซ่อมที่ได้รับอนุญาตจาก DEWALT ซึ่งเครื่องของท่านจะได้รับการกำจัดทิ้ง โดยไม่กระทบต่อสิ่งแวดล้อม