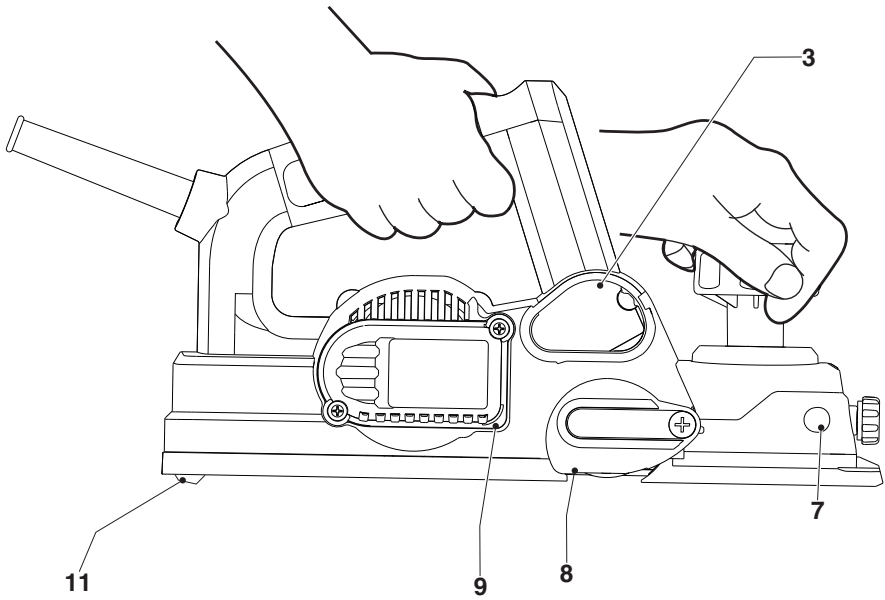
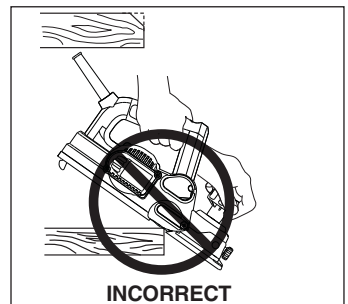
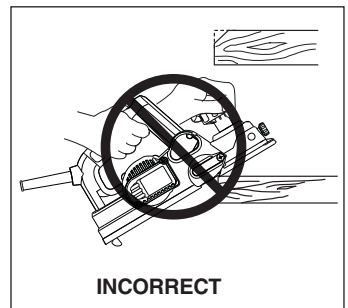
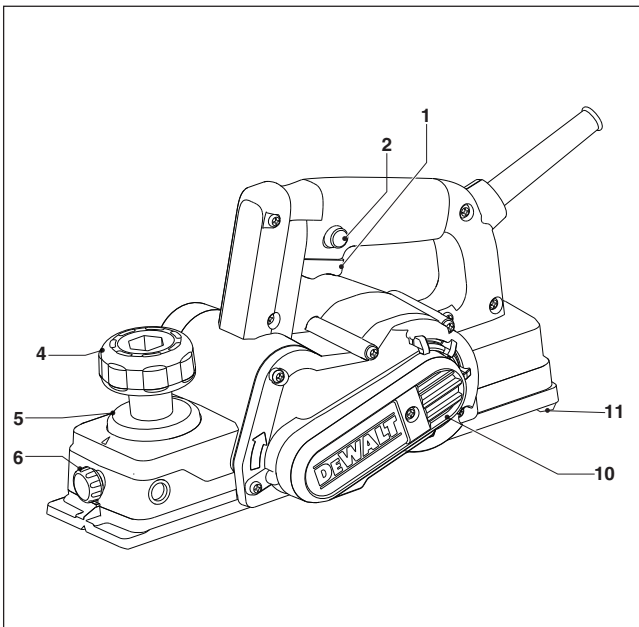

DEWALT®

D26676

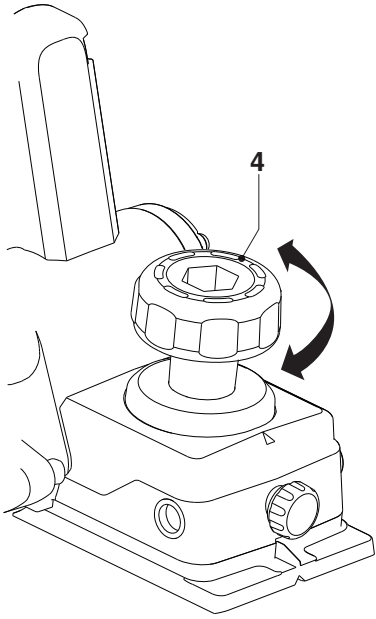
English	6
简体中文	11
한글판	16
ไทย	22
TIẾNG VIỆT	27



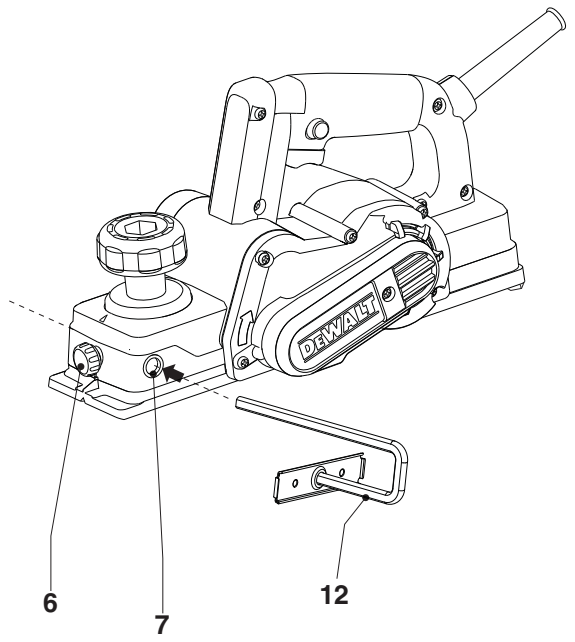
A1



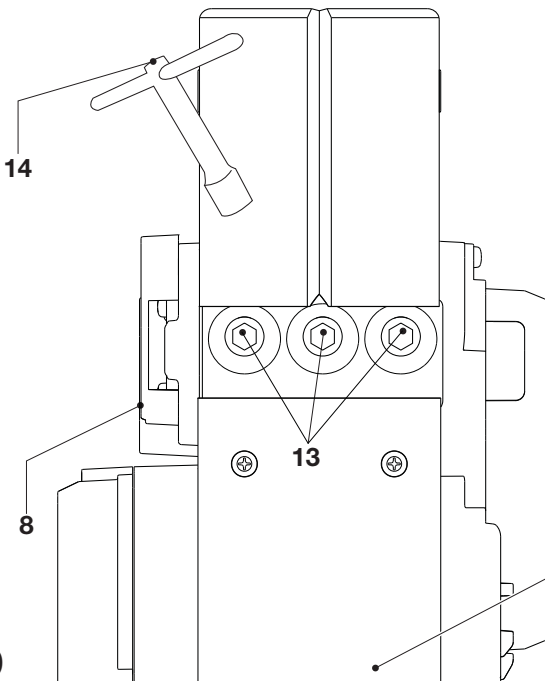
A2



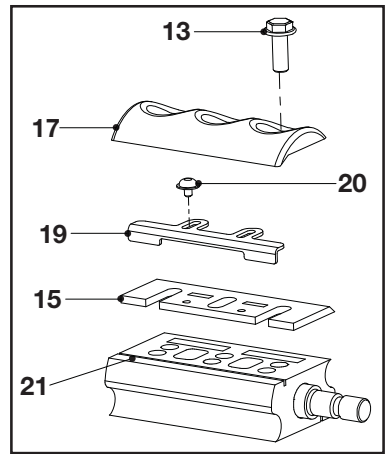
B



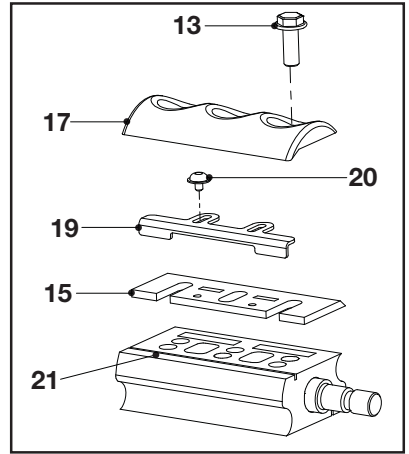
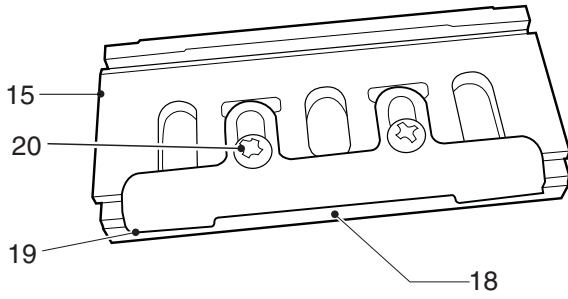
C



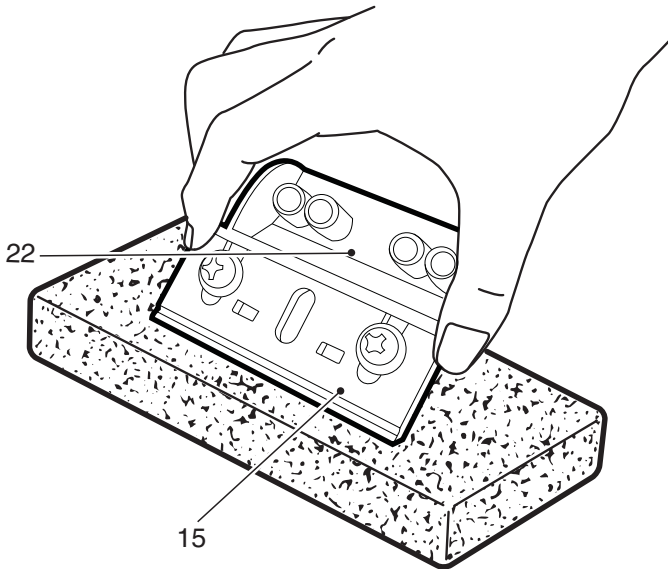
D



16



E



F

PLANER D26676

Congratulations!

You have chosen a DeWALT Power Tool. Years of experience, thorough product development and innovation make DeWALT one of the most reliable partners for professional Power Tool users.

Table of contents

Technical data	en - 1
Safety instructions	en - 2
Package contents	en - 3
Description	en - 3
Electrical safety	en - 3
Mains plug replacement (B1 only)	en - 3
Using an extension cable	en - 3
Assembly and adjustment	en - 4
Instructions for use	en - 4
Maintenance	en - 5

Technical data

		D26676
Voltage	V	220-240
Power input	W	550
No load speed	min ⁻¹	17,000
Base length	mm	309
Planing width	mm	82
Rabbeting depth (max.)	mm	9
Optimum planing depth	mm	0-1
Planing depth (max.)	mm	1.5
Weight	kg	2.6

The following symbols are used throughout this manual:



Denotes risk of personal injury, loss of life or damage to the tool in case of non-observance of the instructions in this manual.



Denotes risk of electric shock.

Level of sound pressure measured according to EN 60745:

		D26676
L_{pA}	(sound pressure) dB(A)	93
L_{WA}	(acoustic power) dB(A)	104



Take appropriate measures for the protection of hearing if the sound pressure of 85 dB(A) is exceeded.

Weighted root mean square acceleration value according to EN 60745:

		D26676
		< 2.5 m/s ²

General Power Tool Safety Warnings



WARNING! Read all safety warnings and instructions. Failure to follow the warnings and instructions may result in electric shock, fire and/or serious injury.

SAVE ALL WARNINGS AND INSTRUCTIONS FOR FUTURE REFERENCE

The term “power tool” in the warnings refers to your mains-operated (corded) power tool or battery-operated (cordless) power tool.

1) WORK AREA SAFETY

- a) Keep work area clean and well lit. Cluttered or dark areas invite accidents.
- b) Do not operate power tools in explosive atmospheres, such as in the presence of flammable liquids, gases or dust. Power tools create sparks which may ignite the dust or fumes.
- c) Keep children and bystanders away while operating a power tool. Distractions can cause you to lose control.

2) ELECTRICAL SAFETY

- a) Power tool plugs must match the outlet. Never modify the plug in any way. Do not use any adapter plugs with earthed (grounded) power tools. Unmodified plugs and matching outlets will reduce risk of electric shock.
- b) Avoid body contact with earthed or grounded surfaces such as pipes, radiators, ranges and refrigerators. There is an increased risk of electric shock if your body is earthed or grounded.
- c) Do not expose power tools to rain or wet conditions. Water entering a power tool will increase the risk of electric shock.
- d) Do not abuse the cord. Never use the cord for carrying, pulling or unplugging the power tool. Keep cord away from heat, oil, sharp edges or moving parts. Damaged or entangled cords increase the risk of electric shock.
- e) When operating a power tool outdoors, use an extension cord suitable for outdoor use. Use of a cord suitable for outdoor use reduces the risk of electric shock.
- f) If operating a power tool in a damp location is unavoidable, use a residual current device (RCD) protected supply. Use of an RCD reduces the risk of electric shock.

3) PERSONAL SAFETY

- a) Stay alert, watch what you are doing and use common sense when operating a power tool. Do not use a power tool while you are tired or under the influence of drugs, alcohol or medication. A moment of inattention while operating power tools may result in serious personal injury.

b) Use personal protective equipment. Always wear eye protection. Protective equipment such as dust mask, non-skid safety shoes, hard hat, or hearing protection used for appropriate conditions will reduce personal injuries.

c) Prevent unintentional starting. Ensure the switch is in the off position before connecting to power source and/or battery pack, picking up or carrying the tool. Carrying power tools with your finger on the switch or energising power tools that have the switch on invites accidents.

d) Remove any adjusting key or wrench before turning the power tool on. A wrench or a key left attached to a rotating part of the power tool may result in personal injury.

e) Do not overreach. Keep proper footing and balance at all times. This enables better control of the power tool in unexpected situations.

f) Dress properly. Do not wear loose clothing or jewellery. Keep your hair, clothing and gloves away from moving parts. Loose clothes, jewellery or long hair can be caught in moving parts.

g) If devices are provided for the connection of dust extraction and collection facilities, ensure these are connected and properly used. Use of dust collection can reduce dust-related hazards.

4) POWER TOOL USE AND CARE

- a) Do not force the power tool. Use the correct power tool for your application. The correct power tool will do the job better and safer at the rate for which it was designed.
- b) Do not use the power tool if the switch does not turn it on and off. Any power tool that cannot be controlled with the switch is dangerous and must be repaired.
- c) Disconnect the plug from the power source and/or the battery pack from the power tool before making any adjustments, changing accessories, or storing power tools. Such preventive safety measures reduce the risk of starting the power tool accidentally.
- d) Store idle power tools out of the reach of children and do not allow persons unfamiliar with the power tool or these instructions to operate the power tool. Power tools are dangerous in the hands of untrained users.
- e) Maintain power tools. Check for misalignment or binding of moving parts, breakage of parts and any other condition that may affect the power tool's operation. If damaged, have the power tool repaired before use. Many accidents are caused by poorly maintained power tools.
- f) Keep cutting tools sharp and clean. Properly maintained cutting tools with sharp cutting edges are less likely to bind and are easier to control.

g) Use the power tool, accessories and tool bits etc., in accordance with these instructions taking into account the working conditions and the work to be performed. Use of the power tool for operations different from those intended could result in a hazardous situation.

5) SERVICE

a) Have your power tool serviced by a qualified repair person using only identical replacement parts. This will ensure that the safety of the power tool is maintained.

Additional Specific Safety Rules for Planers

Wait for the cutter to stop before setting the tool down. An exposed cutter may engage the surface leading to possible loss of control and serious injury.

Package contents

The package contains:

- 1 Planer
- 1 Parallel fence
- 1 Spanner
- 1 Instruction manual
- 1 Gauge
- 1 Sharpening holder
- Check for damage to the tool, parts or accessories which may have occurred during transport.
- Take the time to thoroughly read and understand this manual prior to operation.

Description (fig. A & C)

Your DeWALT high performance Planer D26676 has been designed for professional planing of wood.

- 1 ON/OFF-switch
- 2 Lock button
- 3 Shavings discharge outlet
- 4 Planing depth adjustment knob
- 5 Planing depth graduation
- 6 Parallel fence tightening bolt
- 7 Hole for parallel fence
- 8 Side guard (excluding in some model)
- 9 Motor cover
- 10 Drive belt cover
- 11 Parking shoe
- 12 Parallel fence

Electrical safety

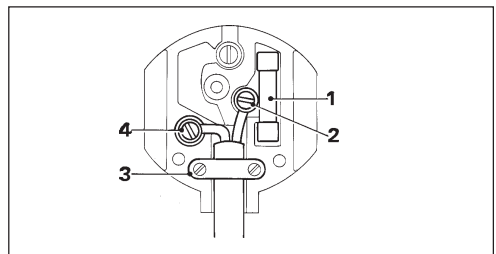
The electric motor has been designed for one voltage only. Always check that the power supply corresponds to the voltage on the rating plate.



Your DeWALT tool is double insulated; therefore no earth wire is required.

Mains plug replacement (U.K. & Ireland only)

- Should your mains plug need replacing and you are competent to do this, proceed as instructed below. If you are in doubt, contact an authorized DeWALT repair agent or a qualified electrician.
- Disconnect the plug from the supply.
- Cut off the plug and dispose of it safely; a plug with bared copper conductors is dangerous if engaged in a live socket outlet.
- Only fit 13 Amperes BS1363A approved plugs fitted with the correctly rated fuse (1).
- The cable wire colours, or a letter, will be marked at the connection points of most good quality plugs. Attach the wires to their respective points in the plug (see below). Brown is for Live (L) (2) and Blue is for Neutral (N) (4).
- Before replacing the top cover of the mains plug ensure that the cable restraint (3) is holding the outer sheath of the cable firmly and that the two leads are correctly fixed at the terminal screws.



Never use a light socket.
Never connect the live (L) or neutral (N) wires to the earth pin marked E or \perp .

For 115 V units with a power rating exceeding 1500 W, we recommend to fit a plug to BS4343 standard.

Using an extension cable

If an extension cable is required, use an approved extension cable suitable for the power input of this tool (see technical data). The minimum conductor size is 1.5 mm². When using a cable reel, always unwind the cable completely.

Also refer to the table below.

Conductor size (mm ²)	Cable rating (Amperes)					
0.75	6					
1.00	10					
1.50	15					
2.50	20					
4.00	25					
Cable length (m)						
	7.5	15	25	30	45	60

Assembly and adjustment



Prior to assembly and adjustment always unplug the tool.

Adjusting the depth of cut (fig. B)

- Turn the planing depth adjustment knob (4). One revolution of the adjustment knob equals a 1.5 mm change in depth. One graduation corresponds to a depth of cut of 0.1 mm, and this is offered up to 1.0mm in depth.

Attaching and removing the parallel fence (fig. A & C)

The parallel fence (12) is used for optimum tool control on narrow workpieces.

- Slacken the wing parallel fence tightening bolt (6).
- Fit the parallel fence (12) in the hole (7) from either side.
- Tighten the parallel fence tightening bolt.
- To remove the parallel fence, proceed in reverse order.

Removing cutters (fig. D)

- Remove the three bolts (13) with the spanner (14) supplied.
- Flap the side guard (8) up.
- Remove drum cover (17) and remove the cutter (15) out of its holder.
- Place the cutter or replace it.



Always replace both cutters.

- Replace the drum cover (17). Make sure that the cutter is flush with the planing shoe (16).
- Tighten the three bolts (13).

Adjusting cutters (fig. E)

- Place the cutter (15) on the guage (18), and make the cutter edge perfectly flush with the inside edge of the guage (18).
- Place the bracket (19) on the cutter, and make the flange of bracket flush with the back side of the guage.
- Tighten the two screws (20) on the bracket.
- Slip the flange of the bracket into the groove of drum (21).
- Place the drum cover (17) and tighten the three bolts (13).

Sharpening cutters (fig. F)

- Fasten the cutter to sharpening holder (22). Be sure both cutter edges face in the same direction.
- Place the cutter edges so that they rest flat on the grinding stone.
- Firmly grip the sharpening holder and move back and forward to sharpen the cutter (15).

Instructions for use



Always observe the safety instructions and applicable regulations.

Prior to operation:

- Adjust the depth of cut.
- If necessary, fit and adjust the parallel fence.



Use sharp cutters only.

Switching ON and OFF (fig. A)

- To run the tool, press the ON/OFF-switch (1). For continuous operation, press the lock-on button (2) and release the ON/Off-switch.
- To stop the tool, release the ON/OFF-switch. To stop the tool in continuous operation, press the ON/OFF-switch once more. Always switch OFF the tool when work is finished and before unplugging.

Switching ON and OFF (safety switch) (fig. A)

If your planer is equipped with a safety switch to prevent inadvertent operation, please follow the below instruction.

To run the tool, press the lock-off button (2) and subsequently press the ON/OFF-switch (1).

Release the lock-off button (2).

To stop the tool, release the ON/OFF-switch (1). Always switch OFF the tool when work is finished and before unplugging.



Do not switch the tool ON or OFF when under load.

Planing (fig. A)

- Switch the tool ON as described.
- Slowly move the Planer over the workpiece.



- The feed speed should not be too high, especially when using the maximum depth of cut and planing width.
- Remember that several shallow cuts are better than one deep cut.
- Switch the tool OFF.

Your Planer is equipped with a parking shoe (11). After switching OFF the tool can be put down without waiting for the cutters to come to a standstill.



CAUTION: Do not lock the trigger switch on and engage the parking shoe. The vibration of the running motor will cause the planer to move, possibly falling from the work piece.



Whenever possible, connect a dust extraction device designed in accordance with the relevant regulations regarding dust emission.

Consult your dealer for further information on the appropriate accessories.

Maintenance

Your DeWALT Power Tool has been designed to operate over a long period of time with a minimum of maintenance. Continuous satisfactory operation depends upon proper tool care and regular cleaning.



Lubrication

Your Power Tool requires no additional lubrication.

Accessories



WARNING: Since accessories, other than those offered by DeWALT, have not been tested with this product, use of such accessories with this tool could be hazardous. To reduce the risk of injury, only DeWALT, recommended accessories should be used with this product.



Cleaning

Keep the ventilation slots clear and regularly clean the housing with a soft cloth.



Unwanted tools and the environment

Take your tool to an authorized DeWALT repair agent where it will be disposed of in an environmentally safe way.

D26676型电刨

祝贺您!

您已选择了得伟工具。凭借多年的经验和在产品开发与创新方面的不断努力，得伟已经成为专业电动工具用户的最可靠伙伴之一。

		D26676
L_{pA} (声压)	分贝	93
L_{WA} (声功率)	分贝	104



如果声压超过85分贝，请采取适当措施来保护听力符合EN60745的加速度加权均方根值。

目录

技术参数

安全须知

套装内容

说明

电气安全

更换电源插头 (仅限B1型)

使用延长线缆

组装与调试

使用须知

维护

		D26676
		$< 2.5 \text{ m/s}^2$

技术参数

		D26676
电压	伏特	220-240
功率输入	瓦特	550
空载速度	转/分	17000
底座长度	毫米	309
刨削宽度	毫米	82
开槽深度 (最大值)	毫米	9
最佳刨削深度	毫米	1.0
刨削深度 (最大值)	毫米	1.5
重量	公斤	2.6

本手册使用下列标志:



表示如未遵守本手册中的相关规定，将导致人身伤害、生命危险或电动工具损坏。



表示有触电危险。

依据EN60745测量的声压水平:

电动工具一般安全警示



警告！ 请阅读所有安全警告与准则。如未遵守本手册中的警告与准则，可能导致触电、火灾和/或严重伤害。

请保存好所有警示和准则，以备将来查阅。警示中的术语“电动工具”是指电源驱动（有线）电动工具，或者电池驱动（无线）电动工具。

1. 工作场地安全

- 保持工作区域清洁、明亮。混乱或昏暗的场地会引发事故。
- 不要在易燃液体、气体或粉尘等存在的易爆环境中操作电动工具。电动工具产生的火花会点燃粉尘或气体。
- 让儿童和旁观者离开后操纵电动工具。分心会使你放松警惕。

2. 电气安全

- 电动工具的插头必须与插座相配。切勿以任何方式改装插头。需接地的电动工具不能使用任何转换插头。未经改装的插头和匹配的插座将减少触电危险。
- 避免人体接触接地表面，如管道、散热片、炉灶和冰箱等。如果你身体接地会增加触电危险。
- 不得将电动工具暴露在雨中或潮湿环境中。水进入电动工具将增加触电风险。
- 不得滥用电源线。绝不能使用电源线搬运、拉动电动工具或拔出其插头。让电线远离热、油、锐边或运动部件。受损或缠绕的电线会增加触电危险。
- 当在户外使用电动工具时，使用适合户外使用的外接电线。适合户外使用的电线将降低触电风险。
- 如果必须在潮湿场合使用电动工具，请使用漏电保护器（RCD）。使用RCD可降低触电风险。

3. 人身安全

- 保持警觉。当操作电动工具时，关注所从事的操作并保持清醒。请勿在疲倦、药物、酒精或治疗反应的状况下操作电动工具。在操作电动工具时，一旦精力分散，就可能导致严重的人身伤害。
- 使用安全装置。始终佩戴防护目镜。安全装置，诸如适当条件下的防尘面具、防滑安全鞋、安全帽、或听力防护等装置能减少人身伤害。

- 避免意外启动。连接电源和/或电池组、拿起或搬动电动工具之前，请确保开关处于off（关断）位置。手指放在开关上搬运工具，或开关处于接通状态时插入插头均可引发危险。

- 在接通电动工具之前，取下所有调整键或扳手。遗留在电动工具旋转零件上的扳手或键会造成人身伤害。

- 手不要伸的太长。时刻注意立足点和身体平衡。这样在意外情况下才能更好地控制电动工具。

- 着装适当。不要穿宽松衣服或佩戴饰品。让你的头发、衣服和手套远离运动部件。宽松衣服、配饰或长发可能会卷入运动部件。

- 如果提供了与排屑装置、除尘设备连接用的装置，确保它们连接完好且使用得当。使用这些装置可减少粉尘引起的危险。

4. 电动工具使用以及注意事项

- 不要勉强使用电动工具。根据用途选用适当的电动工具。合适的电动工具能够在设计功率下，更为出色、安全地运行。
- 工具开关不能接通或关断电源时，请勿使用工具。开关失控的电动工具是危险的，必须修理。
- 在进行任何调节、更换附件或存放工具之前，必须从电源上拔掉插头和/或取下电池组。这种防护性措施将降低电动工具意外启动的风险。
- 将闲置的电动工具存放在儿童所及范围之外，并且不要让不熟悉电动工具或对这些使用须知不了解的人操作电动工具。电动工具在未经培训的用户手中会发生危险。
- 保养电动工具。检查运动部件是否对正或卡住，检查零件破损情况以及是否存在影响电动工具运行的其它情况。如有损坏，必须在使用前修理电动工具。许多事故原因都是工具维护不良。
- 保持刀具锋利和清洁。保养良好、切削锋利的刀具不易卡住而且更易于控制。
- 按照使用说明书以及具体工具型号所要求的方式，以及作业条件和性质，使用电动工具、配件和工具刀头等。电动工具用于设计之外的目的时，可能发生危险。

5. 维修

- 本电动工具必须由合格的维修人员进行维修，并采用相同的备件。这将确保电动工具的安全性。

电刨附加安全细则

等刨刀停止运动后再放置工具。外露的刨刀可能会嵌入表面而引发可能的失控和严重的伤害事故。

套装内容

本套装包含：

电刨一台

平行导板一件

扳手一把

使用手册一本

量规一只

磨刀架一只

- 检查工具、部件或配件是否在运输过程中损坏。
- 使用前，请抽空彻底阅读并掌握本手册内容。

说明(图A&C)

本高性能D26676型得伟电动工具是为专业木材刨削设计的。

1. ON/OFF开关
2. 锁定按钮
3. 刨花出口
4. 刨削深度调节旋钮
5. 刨削深度刻度盘
6. 平行导板紧固螺栓
7. 平行导板孔
8. 侧挡板
9. 马达盖
10. 传动带盖板
11. 停机支座
12. 平行导板

电器安全

本电机设计仅使用一种电压。请务必检查电源电压是否与铭牌一致。



您的得伟电动工具采用双重绝缘，因此无须接地线。

延长线的使用

如需使用延长线，请使用与本工具功率输入（见技术数据）匹配的、经过认证的延长线；最小导体尺寸为1.5 mm²。使用电缆卷筒时，始终保持电缆完全展开。

此外，还可参考下表：

导体尺寸 (mm ²)	导线标称值 (安培)
0.75	6
1.00	10
1.50	15
2.50	20
4.00	25
线缆长度 (米)	
7.5	15
25	30
45	60

组装与调整



在组装、调整工具之前，请务必拔下工具插头。

调整刨削深度 (图B)

- 旋转刨削深度调节旋钮 (4)。调节旋钮每旋转一圈，等于调节深度1.5毫米。每一刻度对应刨削深度0.1毫米，最大刻度可达1.0毫米。

安装、拆卸平行导板 (图A&C)

平行导板 (12) 可以在较窄的工件上更好地控制工具。

- 要启动电刨，按下触发开关即可；要使工具停止，松开开关即可。
- 松开平行导板紧固螺栓 (6)。
- 将平行导板 (12) 从任一侧插入孔 (7)。
- 要拆卸平行导板，请按上述步骤倒序操作。

拆卸刀具 (图D)

- 使用随机提供的扳手 (14)，取下三个螺栓 (13)。
- 向上摆动侧挡板 (8)。
- 取下转鼓盖板 (17)，并从刀架上取下刀具 (15)。
- 安装或更换刀具。



确保两个刀具均已安装。

- 安装转鼓盖板 (17)。确保刀具与刨削底座 (16) 平齐。
- 紧固三个螺栓 (13)。

调整刀具 (图E)

- 把刀具 (15) 放在量规 (18) 上，并使刀刃与量规 (18) 的内侧边缘完全平齐。
- 把托架 (19) 放在刀具上，使托架与量规的背侧平齐。
- 紧固托架上的两个螺丝 (20)。
- 把托架的凸缘滑进转鼓的槽 (21) 内。
- 放置转鼓盖板 (17) 并紧固三个螺栓 (13)。

磨刃 (图F)

- 把刀具固定到磨刀架 (22) 中。确保两个刀刃的朝向相同。
- 使刀刃平放在磨石上。
- 紧握磨刀架并前后移动，将刀具 (15) 磨利。

使用须知



请务必遵守安全须知和适用法规。

操作前:

- 调节刨削深度。
- 必要时，安装并调整平行导轨。



请勿使用钝刀具。

启动与停止 (图A)

- 要启动工具，按下ON/OFF开关 (1) 即可。要持续运行，按下锁定按钮 (2) 并释放ON/OFF开关。
- 要使工具停止，释放ON/OFF开关即可。要使连续运行的工具停止，将ON/OFF开关再按一次。工作完成后、拔下插头之前，请务必关闭工具开关。

启动与停止 (安全开关) (图A)

如果您的工具配有避免意外操作的安全开关，请按下列步骤进行。

要操作工具，按下锁定按钮 (2)，随后按下ON/OFF开关 (1)。释放锁定按钮 (2)。

要使工具停止，释放ON/OFF开关 (1)。工作完成后、拔下插头之前，请务必关闭工具开关。



工具负载时，请勿使用工具开、关工具。

刨削 (图A)

- 按要求启动工具。
- 在工件上慢慢移动电刨。



- 进给速度不得太快，特别是使用最大刨削深度和宽度时，更须注意。
- 切记多次浅刨的效果胜过一次深刨。
- 关闭工具。

本电刨配有停机支座 (11)。关闭工具开关后，可以放下工具，不必等待完全停止。



注意：请勿在工具开关开启状态下释放停机支座，否则转动的电机带来的振动会使工具移动，进而导致工具由工作台面滑落。



任何可能情况下，请使用依据相关粉尘排放法规设计的除尘装置。

请向零售商咨询合适配件的更多信息。

维护

您的得伟电动工具设计精良，可以长期使用，仅需极少维护。要不断获得令人满意的工作效果，需要您做适当的保养和定期的清洁。



润滑

本电动工具无须另行润滑。

附件



警告：由于非得伟配件未经本产品匹配测试，本工具若使用此类配件，将存在隐患。为降低人身伤害风险，本产品仅可使用得伟推荐的配件。



清洁

请保持工具通风口畅通，并定期用软抹布清洁外壳。



报废工具与环境保护

请将您的工具送交得伟授权维修代理处，在那里可以环保的方式处理工具。

制造商：百得（苏州）科技有限公司

地址：苏州工业园区

产地：大连

전기대패 D26676

축하합니다!

귀하는 DEWALT 전동 공구를 선택했습니다. 수년간의 경험과 완벽한 제품개발, 혁신을 통하여 DEWALT는 산업용 전동 공구 사용자들의 가장 믿음만한 파트너로서 신뢰를 쌓아오고 있습니다.

목차

기술데이터

안전지침

포장내용

설명

전기 안전

주 플러그 교체 (B1)

연장 케이블 사용

조립 및 조정

사용 설명서

관리

기술 데이터

		D26676
전압	V	220-240
공급 전원	W	550
무부하 회전수	min ⁻¹	17000
베이스 길이	m m	309
플레이닝 넓이	mm	82
라벳팅 깊이(최대)	mm	9
최적 플레이닝 깊이	mm	0.1
플레이닝 깊이(최대)	mm	1.5
중량	g k	2.6

본 사용 설명서에서는 다음 기호들을 사용하고 있습니다.



본 사용 설명서의 지시사항을 준수하지 않을 경우 파를 수 있는 부상이나 사망, 전동 공구의 손상 등의 위험을 나타냅니다.



감전의 위험을 나타냅니다.

음압은 EN60745 기준에 따릅니다.

		D26676
L _{PA} (음압)	dB(A)*	93
L _{WA} (음향 파워)	dB(A)*	104

음압이 85Db(A)가 초과할 경우 청력 보호 장치를 착용하십시오.

가중 제곱평균 가속값은 EN60745기준에 따릅니다.

		D26676
		< 2.5 m/s ²

일반 안전 지침



경고! 전동 공구를 사용할 경우 화재나 감전, 상해의 위험을 낮추도록 제품을 사용하기 전에 아래 안전 지침을 읽어주십시오.

본 사용설명서를 보관하시어 향후 참조하십시오.

본 설명서에 용어 “전동 공구”는 전력 전동 공구(유선)와 배터리 전동 공구(무선)을 가리키는 것입니다.

1) 작업 공간

- a) 작업 공간을 청결하게 유지하고 밝은 조명을 사용하십시오. 작업공간이 산만한 곳에서의 작업은 사고가 발생할 위험이 있습니다.
- b) 전동 공구를 인화성 액체, 가스, 먼지 등 폭발 위험이 있는 장소에서 사용하지 마십시오. 전동 공구를 사용하면 먼지나 연기에 불이 붙을 수 있는 불꽃이 생깁니다.
- c) 전동 공구를 사용하는 동안에는 어린이 등 작업자 외의 다른 사람이 주변에 오지 않도록 하십시오. 주위가 산만해지면 전동 공구를 올바르게 사용할 수 없습니다.

2) 전기 안전

- a) 전동 공구의 플러그는 반드시 해당 콘센트에 끼워야 합니다. 절대로 플러그를 개조해서는 안됩니다. 어댑터 플러그를 접지된 전동 공구와 함께 사용하지 마십시오. 플러그를 있는 그대로 해당 콘센트에 끼워서 사용하면 감전 위험이 줄어듭니다.
- b) 접지 표면(파이프, 라디에이터, 전자레인지, 냉장고 등)에 신체를 접촉하지 마십시오. 신체가 접지되면 감전 위험이 커집니다.
- c) 전동 공구를 비가 내리는 곳이나 습기가 많은 곳에 노출하지 마십시오. 전동 공구에 물이 들어가면 감전 위험이 커집니다.
- d) 코드를 함부로 다루지 마십시오. 코드를 잡고 전동 공구를 옮기거나 잡아당기거나 플러그를 뽑지 마십시오. 코드를 열, 기름, 뽕족한 모서리 또는 작동 부분에서 멀리하십시오. 코드가 손상되었거나 꼬여 있으면 감전 위험이 커집니다.

- e) 공구를 야외에서 사용할 때는 야외용으로 적합한 연장 코드를 사용하십시오. 야외용으로 적합한 코드를 사용하면 감전 위험이 줄어듭니다.
- f) 어쩔 수 없이 습한 공간에서 작업할 경우에는 차단기(RCD)를 사용하십시오. 차단기를 사용하면 감전 위험이 줄어듭니다.

3) 신체 안전

- a) 항상 주의하십시오. 작업에 집중하십시오. 올바른 방법으로 사용하십시오. 피로하거나 마약 흡입, 음주 또는 약물 복용 중에는 절대로 공구를 사용하지 마십시오. 전동 공구 사용 중에 주의하지 않으면 심각한 신체 상해를 입을 수 있습니다.
- b) 안전 장비를 사용하십시오. 항상 보안경을 착용하십시오. 방진 마스크, 미끄럼 방지 안전화, 안전모, 방청 장비 등과 같은 안전 장비를 착용하면 신체 상해의 위험을 줄일 수 있습니다.
- c) 갑작스런 작동을 삼가하십시오. 플러그를 꽂거나 배터리 팩과 연결하기 전에 전원 스위치가 **off** 위치에 있는지 확인하십시오. 전동 공구를 옮기거나 전동 공구의 플러그를 꽂을 때 손가락이 스위치 부분에 있으면 갑자기 스위치가 켜질 수 있습니다.
- d) 전동 공구의 전원을 켜기 전에 조정용 키와 렌치를 완전히 제거하십시오. 렌치나 키가 전동 공구의 회전부에 부착되어 있으면 신체 상해를 입을 수 있습니다.
- e) 몸을無理하게 뻗어서 작업하지 마십시오. 바로 서서 항상 평형을 유지하십시오. 이렇게 하면 갑작스런 상황에서도 전동 공구를 올바르게 작동할 수 있습니다.
- f) 작업에 알맞은 복장을 착용하십시오. 헐렁한 옷이나 장신구를 착용하지 마십시오. 머리카락, 옷 및 장갑을 작동 부분에서 멀리하십시오. 옷, 장신구 또는 긴 머리가 작동 부분에 걸릴 수 있으므로 주의하십시오.
- g) 장비가 분진 제거 및 수거 기능을 제공하는 경우 연결 상태를 확인하고 올바르게 사용되는지 확인하십시오. 이와

같은 장비를 사용하면 분진과 관련된 위험을 최소화할 수 있습니다.

4) 전동 공구 사용 및 관리

- a) 전동 공구에 무리한 힘을 가하지 마십시오. 사용 분야에 맞는 전동 공구를 사용하십시오. 알맞은 전동 공구는 출고 규격에 알맞은 환경에서 더욱 안전하고 향상된 작업을 수행합니다.
- b) 스위치가 켜져거나 꺼지지 않는 경우 전동 공구를 사용하지 마십시오. 스위치가 작동하지 않는 전동 공구는 위험하므로 반드시 수리 받아야 합니다.
- c) 조정하거나 부품을 교체하거나 전동 공구를 보관하기 전에는 콘센트 등에서 전원 플러그를 뽑으십시오. 이와 같은 예방 안전 조치는 전동 공구가 갑작스럽게 작동하는 위험을 줄여줍니다.
- d) 사용하지 않는 전동 공구는 어린이의 손이 닿지 않는 곳에 보관하고 전동 공구나 해당 지침에 익숙하지 않은 사람이 전동 공구를 사용하지 않도록 하십시오. 본 제품은 전동 공구 사용에 익숙하지 않은 사용자에게는 위험한 제품입니다.
- e) 전동 공구를 유지 관리하십시오. 작동 부분의 어긋남이나 엉킴, 부품 파손 등 전동 공구 작동에 영향을 미치는 상태를 확인하십시오. 손상된 경우, 사용하기 전에 전동 공구를 수리 받으십시오. 전동 공구를 제대로 유지 관리하지 않아서 발생하는 사고가 많습니다.
- f) 절삭 공구는 날카롭고 청결하게 유지 관리하십시오. 절삭 공구를 올바르게 유지 관리하여 절삭면이 날카로우면 잘 엉키지 않고 쉽게 작업할 수 있습니다.
- g) 전동 공구, 부품 및 공구 비트 등을 해당 지침 및 전동 공구별 사용 방법에 따라, 작업 조건 및 작업물을 고려하여 사용하십시오. 전동 공구를 설계 용도와 다르게 사용하면 위험해질 수 있습니다.

5) 서비스

- a) 전동 공구는 반드시 공인 수리 기사가 순정 부품만을 사용하여 수리해야 합니다. 이렇게 하면 전동 공구를 안전하게 유지 관리할 수 있습니다.

전기대패 추가 안전 지침

공구를 세팅하기 전에 커터가 정지되었는지 확인하십시오. 노출된 커터는 작업물 표면을 손상시켜 공구를 올바르게 사용할 수 없게 하거나 인체적 상해를 입힐 수 있습니다.

포장 내용

본 포장에는 다음 내용물이 들어있습니다.

전기대패 1

병렬펜스 1

스패너 1

제품 매뉴얼 1

게이지 1

샤프닝 홀더 1

- 배송 시 일어날 수 있는 전동공구, 부품, 부속품등에 손상이 있는지 확인하십시오.
- 작동하기 전에 본 사용설명서를 철저히 읽고 이해하십시오.

설명(그림 A & C)

본 DeWALT 전기대패 D26676는 목재를 전문적으로 대패작업하는데 사용합니다.

1 ON/OFF 스위치

2 잠금 버튼

3 부스리기 배출구

4 플레이닝 깊이 조정 노브

5 플레이닝 깊이 눈금

6 병렬 펜스 조임 볼트

7 병렬 펜스 홀

8 사이드 가드

9 모터 커버

10 드라이버 벨트 커버

11 파킹 슈

12 병렬 펜스

전기 안전

전기 모터는 한 가지 전압에서만 작동하도록 디자인되었습니다. 계기판의 전압이 전원공급장치와 일치하는지 항상 확인하십시오.

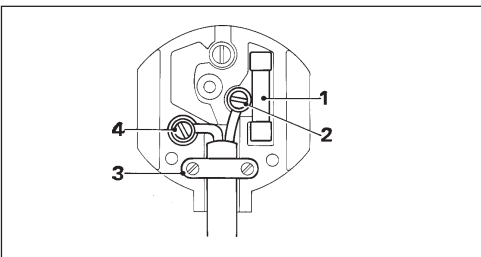


DEWALT 전동 공구는 이중 절연되어 있으므로 접지선이 필요하지 않습니다.

주 플러그 교체

(영국과 아일랜드)

- 주 플러그를 교체해야 하고 귀하가 수월히 할 수 있다면, 다음 지침대로 따르십시오. 그렇지 않을 경우, 지정 DEWALT 서비스 센터나 기술자에게 연락하십시오.
- 전원 공급 장치에서 플러그를 제거하십시오.
- 플러그를 절단하고 안전하게 이를 처리하십시오. 구리 도선이 벗겨진 플러그는 전원이 있는 곳에 접촉하면 위험합니다.
- **13A BS 1363A** 플러그만을 적합한 퓨즈에 맞추십시오.
- 케이블 선의 색 혹은 글자는 가장 질 좋은 플러그의 연결 부위에 표시될 것입니다. 이 선들을 플러그의 해당 부위에(아래 참조) 놓습니다. 갈색은 **Live (L)(2)**이고, 파란색은 **Neutral (N) (4)**입니다.
- 주 플러그의 맨 위 뚜껑을 교체하기 전에 케이블 리스트레인트(3)를 케이블의 바깥쪽에 확실히 고정했는지, 두 선이 끝에 제대로 고정되었는지 확인하십시오.



발광 소켓을 사용하지 마십시오. 전기가 통하는 선(L) 또는 뉴트럴 선(N)을 E 또는 표시가 있는 접지판에 연결하지 마십시오.

전원이 1500W를 초과하는 115V 공구의 경우, BS4343 기준에 맞는 플러그를 권장합니다.

연장케이블 사용

연장케이블이 필요하다면 본 전동 공구의 전원장치에 맞는 연장케이블을 사용하십시오(기술 데이터 참조). 최소 도체 크기는 1.5mm²입니다. 케이블릴 사용시, 케이블을 완전히 풀어주십시오. 아래 표를 참조하시기 바랍니다.

도체 크기(mm ²)	케이블 속도 (암페어)
0.75	6
1.00	10
1.50	15
2.50	20
4.00	25
케이블 길이 (m)	
7.5	15 25 30 45 60

조립 및 조정



조립 및 조정을 하기 전에는 항상 전동 공구의 플러그를 뽑으십시오.

커터 깊이 조정(그림 B)

플레이닝 깊이 조정 노트(4)를 돌리십시오. 한번의 회전은 1.5mm의 변경을 일으킵니다. 눈금 하나는 커터 깊이 0.1mm에相当합니다. 최대 깊이는 1.0mm입니다.

병렬 펜스 조립 및 해제 (그림 A & C)

병렬 펜스(12)는 좁은 작업물에 최적의 도구를 제어하는 데 사용됩니다.

- 병렬 펜스 조임 볼트(6)를 늦추십시오.
- 아무런 한쪽으로부터 병렬 펜스(12)를 홀에 넣으십시오.
- 병렬 펜스 조임 볼트를 조이십시오.
- 병렬 펜스를 제거하려면 위의 절차를 역순으로 수행하면 됩니다.

커터 분리 (그림 D)

- 제공된 스페너(14)로 볼트 3개(13)를 분리하십시오.
- 사이드 가드(8)를 위로 이동하십시오.
- 드럼 커버(17)를 제거하고 커터(15)를 홀더에서 분리하십시오.
- 커터를 장착, 혹은 교체를 하십시오.



항상 두 개의 커터를 교체하십시오.

- 드럼 커버(17)를 교체하십시오. 커터와 플레닝 슈(16)가 같은 높이의 평면에 있는지 확인하십시오.

- 볼트 3개(13)를 조이십시오.

커터 조정 (그림 E)

- 커터(15)를 게이지(18)에 놓고 커터 에지와 게이지의 양쪽 에지가 꼭 맞추도록 하십시오.
- 브래킷(19)을 커터에 놓고 브래킷의 플랜지가 게이지의 뒤쪽과 알맞도록 하십시오.
- 브래킷에 있는 두개의 나사(20)를 조이십시오.
- 브래킷의 플랜지를 드럼 홈(21)으로 이동하십시오.
- 드럼 커버(17)를 장착하고 3개의 볼트(13)를 조이십시오.

커터 닦기 (그림 F)

- 커터를 샤프닝 홀더(22)에 고정시키십시오. 커터 에지의 양쪽을 같은 방향에 있도록 하십시오.
- 커터 에지가 연삭숫돌에 평평하게 놓이도록 하십시오.
- 샤프닝 홀더를 꼭 잡고 앞뒤로 움직여 커터(15)를 닦으십시오.

사용 설명서



항상 사용 지침과 관련 법규를 살펴보십시오.

작동 전:

- 커터 깊이를 조정하십시오.
- 필요하면 병렬 펜스를 장착하고 조정하십시오.



날카로운 커터만 사용하십시오.

스위치 ON/ OFF (그림 A)

- 공구를 작동하려면 ON/OFF 스위치(1)를 누르십시오. 연속 작동을 하려면 ON/OFF버튼을 릴리즈하고 lock-on버튼을 누르십시오.
- 공구를 정지시키려면 ON/OFF 스위치를 릴리즈하십시오. 연속 작동중인 공구를 정지시키려면 ON/OFF 스위치를 한번 더 누르십시오. 작업이 끝나고 플러그를 뽑기 전에 반드시 스위치OFF해야 합니다.

스위치 ON/OFF (안전 스위치) (그림 A)

실수로 작업하는 것을 방지하기 위한 안전 스위치가 대패에 안착되면 아래 지침을 따라 하십시오.

공구를 켜려면 lock-off 버튼(2)을 누른 이후 ON/OFF 스위치(1)를 누르십시오.

Lock-off 버튼(2)을 릴리즈하십시오.

공구를 정지시키려면 ON/OFF스위치(1)를 릴리즈하십시오.

작업이 끝나고 플러그를 뽑기 전에 항상 공구를 끄십시오.



공구가 부하중인 경우 스위치 켜거나 끄지 마십시오.

플레이닝 (그림 A)

- 위에서 언급한 것처럼 공구를 켜십시오.

- 작업을 위에서 전기대패를 천천히 움직이십시오.



- 피드 속도를 너무 빨리 하지 마십시오.

특히 최대 커터 깊이와 플레이닝 넓이를 사용할 경우.

- 한번에 깊이 깎아 내는 것 보다 여러번에 걸쳐 얇게 깎아 내는 것이 낫다는 것을 잊지 마십시오.

- 작업이 끝나면 공구를 끄십시오.

대패에 파킹 슈(11)가 장착되어 있으므로 공구를 끄면 커터가 정지할 때까지 기다릴 필요없이 공구를 바로 놓을 수 있습니다.



주의 : 트리거 스위치를 잠그지 마시고, 멈춤 보호로 조정해주세요. 구동하는 모터의 진동은 작업대를 흔들리게 할 수 있으며, 소재를 떨어지게 할 수 있습니다.



필요할 경우 공구 규격에 맞는 먼지 제거용 장치를 연결해 주십시오.

적절한 부속품에 관한 자세한 내용은 판매자에게 문의하십시오.

관리

DEWALT 전동 공구는 최소한의 관리로 오랜 기간 작동하도록 고안되었습니다. 올바른 기구 관리와 규칙적인 세척으로 계속 안전하게 사용하실 수 있습니다.



윤활제 처리하기

본 전동 공구는 윤활제를 처리할 필요가 없습니다.

액세서리



경고 : DeWALT에 인증되지 않은 액세서리를 본 제품에 사용하면 예상치 못한 위험의 원인이 될 수 있습니다. 이러한 위험을 줄이기 위해서 본 제품에는 DeWALT에서 추천하는 액세서리만 사용해주세요.



세척

환기부위를 깨끗이 하고, 보관 상자를 부드러운 천으로 정기적으로 깨끗이 닦아줍니다.



원하지 않는 도구와 환경

환경에 안전한 방법으로 버리시려면 전동 공구를 DEWALT 수리점으로 가져오십시오.

เครื่องใช้ไฟฟ้า D26676

ขอแสดงความยินดี!

คุณได้เลือกใช้เครื่องมือช่างไฟฟ้าของ DeWALT ด้วยประสบการณ์การดำเนินงานหลายปี ตลอดจนการพัฒนาผลิตภัณฑ์และการสร้างสรรค์นวัตกรรมใหม่ๆ ทำให้ DeWALT เป็นหนึ่งในพันธมิตรที่น่าเชื่อถือที่สุดในกลุ่มผู้ใช้เครื่องมือไฟฟ้าระดับมืออาชีพ

ข้อมูลทางเทคนิค	en - 1
คำแนะนำด้านความปลอดภัย	en - 2
รายการสิ่งของที่ให้มาด้วย	en - 3
รายละเอียด	en - 3
ความปลอดภัยทางไฟฟ้า	en - 3

การเปลี่ยนปลั๊กหลัก (B1 เท่านั้น)	en - 3
การใช้สายพ่วง	en - 3
การประกอบและการปรับตั้ง	en - 4
วิธีการใช้เครื่อง	en - 4
การบำรุงรักษา	en - 5

ข้อมูลทางเทคนิค

	D26676	
แรงดันไฟฟ้า	V	220-240
กำลังไฟเข้า	W	550
รอบทำงานขณะไม่มีภาระ	min ⁻¹	17,000
ความยาวฐาน	mm	309
ความกว้างงานไส	mm	82
ความลึกรอยไสรางลึน (สูงสุด)	mm	9
ความลึกงานไสที่เหมาะสม	mm	0-1
ความลึกงานไส (สูงสุด)	mm	1.5
น้ำหนัก	kg	2.6

สัญลักษณ์ต่อไปนี้ได้นำมาใช้ในคู่มือเล่มนี้:



หมายถึงความเสี่ยงที่จะได้รับบาดเจ็บ เสียชีวิต หรือเครื่องมือชำรุดเสียหายในกรณีที่ไม่ปฏิบัติตามคำแนะนำในคู่มือเล่มนี้



หมายถึงความเสี่ยงที่จะถูกไฟฟ้าลัดวงจร

ระดับความดังของเสียงที่วัดตาม EN 60745:

D26676		
L _{pA}	(ความดังของเสียง)	dB(A) 93
L _{WA}	(กำลังขยาย - acoustic power)	dB(A) 104



ดำเนินการมาตรการที่เหมาะสมเพื่อป้องกัน การได้ยินถ้าความดังของเสียงเกินระดับ 85 dB(A)

รากของน้ำหนักหมายถึงกำลังสองของค่าอัตราเร่ง ตรงตาม EN 60745:

D26676	
	น้อยกว่า 2.5 m/s ²

คำเตือนด้านความปลอดภัยทั่วไปจากการใช้เครื่องมือไฟฟ้า



คำเตือน! อ่านคำเตือนและคำแนะนำด้านความปลอดภัยทั้งหมด การไม่ปฏิบัติตามคำเตือนและคำแนะนำเหล่านี้อาจทำให้ไฟฟ้าลัดวงจร เกิดเพลิงไหม้ และ/หรือได้รับบาดเจ็บสาหัส

จัดเก็บเอกสารคำเตือนและคำแนะนำทั้งหมดไว้สำหรับกรอ้างอิงในภายหลัง

คำว่า “เครื่องมือไฟฟ้า” ในคำเตือนหมายถึง เครื่องมือไฟฟ้าที่ทำงานผ่านสายไฟ (มีสาย) หรือแบตเตอรี่ (ไร้สาย)

- 1) ความปลอดภัยในบริเวณที่ทำงาน
 - ก) รักษาความสะอาดและจัดให้มีแสงสว่างเพียงพอในบริเวณที่ทำงาน บริเวณที่คับแคบหรือมืดอาจทำให้เกิดอุบัติเหตุได้
 - ข) ห้ามใช้เครื่องมือไฟฟ้าในบริเวณที่อาจเกิดการระเบิด เช่น เมื่อมีของเหลวไวไฟ แก๊ส หรือขี้เถ้า เครื่องมือไฟฟ้าจะทำให้เกิดประกายไฟที่อาจทำให้ขี้เถ้าติดไฟหรือเกิดควันไฟได้
 - ค) ระวังไม่ให้เด็กเล็กและคนเดินผ่านไปมาเข้าใกล้ในขณะที่ใช้เครื่องมือไฟฟ้า สิ่งรอบกอาจทำให้คุณเสียการควบคุมได้
- 2) ความปลอดภัยทางไฟฟ้า
 - ก) ปลั๊กของเครื่องมือต้องตรงกับเต้ารับ ห้ามดัดแปลงปลั๊กไม่ว่าจะด้วยวิธีใดก็ตาม ห้ามใช้ตัวแปลงปลั๊กกับเครื่องใช้ไฟฟ้าที่ต่อสายดิน ปลั๊กที่ไม่มีการดัดแปลงและเต้ารับที่ตรงกันจะลดความเสี่ยงจากไฟฟ้าลัดวงจรได้
 - ข) หลีกเลี่ยงการสัมผัสกับพื้นผิวที่ต่อสายดินหรือสายกราวด์ เช่น ท่อ หม้อน้ำ เตาไฟฟ้า และตู้เย็น มีความเสี่ยงเพิ่มขึ้นที่จะเกิดไฟฟ้าลัดวงจรหากร่างกายเป็นสายดินหรือกราวด์
 - ค) อย่าให้เครื่องมือใช้ไฟฟ้าโดนฝนหรือเปียกน้ำ น้ำที่เข้าเครื่องมือไฟฟ้าจะทำให้เสี่ยงในการเกิดไฟฟ้าลัดวงจรเพิ่มขึ้น
 - ง) ระวังอย่าให้สายไฟชำรุด ห้ามใช้สายไฟเพื่อหิ้ว ดึง หรือถอดปลั๊กเครื่องมือใช้ไฟฟ้า เก็บสายไฟให้พ้นจากความรอนน้ำมัน ขอบคมๆ หรือชิ้นส่วนที่ก้ำกึ่งเคลื่อนที่ สายไฟที่ชำรุดหรือพันกันอาจเพิ่มความเสี่ยงต่อการเกิดไฟฟ้าลัดวงจร
 - จ) เมื่อใช้เครื่องมือใช้ไฟฟ้ากลางแจ้ง ให้ใช้สายพ่วงต่อที่เหมาะสมสำหรับการใช้งานกลางแจ้ง ใช้สายไฟที่เหมาะสมสำหรับการใช้งานกลางแจ้งเพื่อลดความเสี่ยงที่จะเกิดไฟฟ้าลัดวงจร
 - ฉ) หากไม่สามารถหลีกเลี่ยงการใช้เครื่องมือใช้ไฟฟ้าในบริเวณที่ชื้นและ ให้ใช้อุปกรณ์ป้องกันไฟฟ้าสะสม (RCD) ใช้ RCD เพื่อลดความเสี่ยงที่จะเกิดไฟฟ้าลัดวงจร
- 3) ความปลอดภัยส่วนบุคคล
 - ก) ดึงตัวและเฝ้าสังเกตสิ่งที่กำลังทำ พร้อมใช้สามัญสำนึกขณะใช้เครื่องมือใช้ไฟฟ้า ห้ามใช้เครื่องมือใช้ไฟฟ้าในขณะที่คุณกำลังเหนื่อยหรือหลังจากการรับประทานยาบางชนิด ต้มแอลกอฮอล์หรืออยู่ระหว่างการรักษา การขาดความระมัดระวังในการใช้เครื่องมือแม้ชั่วขณะอาจทำให้บาดเจ็บสาหัสได้

- ข) ใช้อุปกรณ์ป้องกันส่วนบุคคล สวมอุปกรณ์ป้องกันตาเสมอ อุปกรณ์ป้องกัน เช่น หน้ากากกันฝุ่น รองเท้านิรภัยกันลื่น หมวกนิรภัยหรืออุปกรณ์ป้องกันเสียงดังตามสภาพที่เหมาะสมจะช่วยลดอาการบาดเจ็บส่วนบุคคล
- ค) ป้องกันการสลายตัวเครื่องมือไม่ได้ตั้งใจ ตรวจสอบให้แน่ใจว่าสวิตช์ตั้งอยู่ในตำแหน่งปิดก่อนการเสียบปลั๊กเข้ากับแหล่งจ่ายไฟ และ/หรือแบตเตอรี่ การยกหรือหิ้วเครื่องมือ การยกเครื่องมือไฟฟ้าในขณะที่นิ้วอยู่ที่สวิตช์หรือเสียบปลั๊กเครื่องมือขณะที่สวิตช์เปิดอยู่ อาจทำให้เกิดอุบัติเหตุได้
- ง) ดึงพ่วงปรับตั้งหรือประแจออกก่อนเปิดสวิตช์เครื่องมือไฟฟ้า ประแจหรือพ่วงที่เสียบเอาไว้กับชิ้นส่วนที่กำลังหมุนของเครื่องมือไฟฟ้าอาจทำให้ได้รับบาดเจ็บ
- จ) ห้ามเขย่งขณะใช้เครื่อง ยืนในท่าที่เหมาะสมและสมดุลตลอดเวลาเพื่อช่วยในการควบคุมเครื่องมือไฟฟ้าได้ดียิ่งขึ้น ในสถานการณ์ที่ไม่คาดคิด
- ฉ) แต่งกายให้เหมาะสมรัดกุม ห้ามสวมเสื้อผ้าหลวมหรือใส่เครื่องประดับ ระวังให้หม ขายเสื้อ และถุงมืออยู่ห่างจากส่วนที่กำลังหมุน เสื้อที่หลุดหลวม เครื่องประดับหรือผมยาวอาจเข้าไปพันกับชิ้นส่วนที่กำลังหมุนได้
- ช) หากมีอุปกรณ์สำหรับกักขังและรวบรวมเศษไม้ ต้องเชื่อมต่ออุปกรณ์เหล่านั้นและนำมาใช้งานอย่างเหมาะสม การใช้อุปกรณ์เก็บขี้เลื่อยจะขจัดอันตรายที่เกี่ยวข้องกับขี้เลื่อยได้
- 4) การใช้งานและการดูแลรักษาเครื่องมือไฟฟ้า
 - ก) ห้ามฝืนใช้เครื่องมือใช้ไฟฟ้า ใช้เครื่องมือไฟฟ้าที่ถูกต้องตรงสำหรับการใช้งานของคุณ เครื่องมือไฟฟ้าที่ถูกต้องย่อมทำงานได้ดีกว่าและปลอดภัยกว่าตามอัตราที่ออกแบบมา
 - ข) ห้ามใช้เครื่องมือใช้ไฟฟ้าถ้าสวิตช์เปิดปิดเครื่องไม่ทำงาน เครื่องมือใช้ไฟฟ้าที่ไม่สามารถควบคุมผ่านสวิตช์ได้มีอันตรายและต้องซ่อมแซม
 - ค) ถอดปลั๊กเครื่องมือใช้ไฟฟ้าออกจากแหล่งจ่ายไฟ และ/หรือแบตเตอรี่ก่อนทำการปรับตั้ง เปลี่ยนอุปกรณ์เสริม หรือจัดเก็บมาตรการเพื่อความปลอดภัยเชิงการป้องกันนี้จะช่วยลดความเสี่ยงจากการผลต่อสสารที่เครื่องมือไม่ได้ตั้งใจ
 - ง) เก็บเครื่องมือใช้ไฟฟ้าที่พร้อมใช้งานให้พ้นมือเด็ก และไม่อนุญาตให้บุคคลที่ไม่คุ้นเคยกับเครื่องมือใช้ไฟฟ้าหรือคำแนะนำเหล่านี้ใช้เครื่องมือ เครื่องมือไฟฟ้าจะเป็นอันตรายหากอยู่ในมือผู้ใช้ที่ไม่มีความชำนาญ
 - จ) บำรุงรักษาเครื่องมือใช้ไฟฟ้า ตรวจสอบการวางตำแหน่งหรือการถอดชิ้นส่วนที่เคลื่อนที่ จุดเชื่อมต่อชิ้นส่วนและสภาพอื่น ๆ ที่อาจส่งผลต่อการทำงานของเครื่องมือใช้ไฟฟ้า หากชำรุดเสียหาย ให้ส่งซ่อมก่อนนำมาใช้ อุบัติเหตุมากมายเกิดจากการที่เครื่องมือใช้ไฟฟ้ามีการดูแลรักษาไม่เพียงพอ
 - ฉ) เครื่องมือใช้ไฟฟ้าต้องคมและสะอาดอยู่เสมอ เครื่องมือใช้ไฟฟ้าผ่านการดูแลรักษาตามความเหมาะสมและมีขอบสำหรับงานใส่ที่คม จะไม่ค่อยก่อให้เกิดอุบัติเหตุและความบาดเจ็บ

ข) ใช้เครื่องมือไฟฟ้า อุปกรณ์เสริมและชุดอุปกรณ์ต่างๆ ให้สอดคล้องกับคำแนะนำเหล่านี้ โดยพิจารณาถึงสภาพการทำงานและงานที่ท่านทำเป็นสำคัญ ใช้เครื่องมือไฟฟ้าทำงานอื่นนอกเหนือจากที่ควร อาจทำให้เกิดอันตรายได้

5) บริการ

ก) ให้ช่างซ่อมที่มีความเชี่ยวชาญเป็นผู้ซ่อมเครื่องมือและใช้อะไหล่ที่ตรงตามรุ่นเท่านั้น ซึ่งจะช่วยให้รับประกันได้ว่าเครื่องมือไฟฟ้ายังมีความปลอดภัยอยู่

กฎเกณฑ์ความปลอดภัยเฉพาะเพิ่มเติมสำหรับเครื่องใช้ไฟฟ้า

รอให้ใบมีดหยุดนิ่งก่อนจึงวางเครื่องลง ใบมีดที่ยังไม่หยุดนิ่งอาจใส่พื้นผิวของงานเป็นผลให้เกิดการควบคุมเครื่องและได้รับอันตรายได้

รายการสิ่งของที่ให้มาด้วย

ของในกล่องประกอบด้วย:

เครื่องใช้ไฟฟ้า 1 ตัว

แผงกัน 1 อัน

ประแจ 1 อัน

คู่มือการใช้ 1 เล่ม

มาตรวัด 1 เครื่อง

ที่จับสำหรับลับใบมีด 1 อัน

- ตรวจสอบร่องรอยความเสียหายที่อาจเกิดขึ้นของเครื่องมือ ชิ้นส่วนหรืออุปกรณ์เสริมในระหว่างการขนส่ง

- สละเวลาอ่านและทำความเข้าใจคู่มือเล่มนี้ก่อนใช้งาน

คำอธิบาย (ภาพ A และ C)

เครื่องใช้ไฟฟ้าสมรรถนะสูงรุ่น D26676 ของ DeWALT ออกแบบมาเพื่อใช้งานใส่ไม้แบบมืออาชีพ

- 1 สวิตช์เปิด/ปิด
- 2 ปุ่มล็อก
- 3 ช่องทางออกของเศษไม้
- 4 ปุ่มปรับความลึกงานไส
- 5 ตัวปรับเพิ่มความลึกงานไส
- 6 สลักยึดแผงกัน
- 7 รูสำหรับใส่แผงกัน
- 8 แผ่นป้องกันด้านข้าง
- 9 ฝาครอบมอเตอร์
- 10 ฝาครอบสายพานขับ
- 11 แทนพักเครื่อง
- 12 แผงกัน

ความปลอดภัยทางไฟฟ้า

มอเตอร์ไฟฟ้าออกมาเพื่อใช้กับหนึ่งแรงดันไฟฟ้าเท่านั้น ห้ามตรวจสอบกำลังไฟเพื่อให้ตรงกับแรงดันไฟฟ้าบนแผ่นแสดงพิกัด

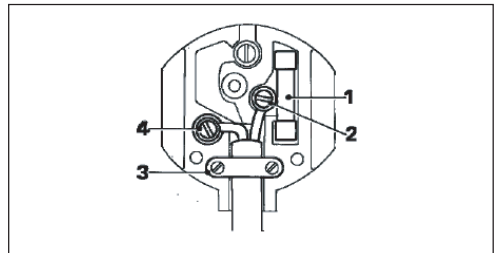


เครื่องมือ DeWALT ใช้ระบบบถนนวนสองชั้น จึงไม่จำเป็นต้องใช้สายดิน

การเปลี่ยนปลั๊กเมน

(สำหรับอาณาจักรและไอร์แลนดเท่านั้น)

- โปรดทำตามคำแนะนำด้านล่าง ในกรณีที่จะต้องเปลี่ยนปลั๊กเมนและคุณสามารถเปลี่ยนเองได้ ในกรณีที่ไม่มีขงสงสัย โปรดติดต่อศูนย์ซ่อมรับอนุญาตของ DeWALT หรือช่างไฟฟ้าที่มีประสบการณ์
- ถอดปลั๊กออกจากแหล่งจ่ายไฟ
- ไสปลั๊กออกและทิ้งให้เหมาะสม ปลั๊กที่มีลื่อนาไฟฟ้าที่ทำจากทองแดงเปลี่ยนมีอันตรายถ้านำไปใช้กับเต้ารับไฟติดผนังที่ยังมีไฟฟ้ายู่
- ประกอบปลั๊กรุ่น BS1363A ขนาด 13 แอมแปร์ที่ได้รับอนุมัติเข้ากับฟิวส์ในพิกัดที่ถูกต้อง (1)
- สีของลวดสายไฟหรือตัวอักษรจะปรากฏที่จุดเชื่อมต่อหากเป็นปลั๊กที่มีคุณภาพดี มัดลวดเข้ากับจุดที่เหมาะสมในปลั๊ก (จุดด้านล่าง) สีน้ำตาลสำหรับเส้นที่มีไฟฟ้า (L) (2) และสีฟ้าสำหรับสายกลาง (N) (4)
- ก่อนเปลี่ยนฝาครอบด้านบนของปลั๊กเมน ตัวยึดสายไฟ (3) ต้องยึดขอบด้านบนของสายไฟให้แน่น และตะกั่วสองเส้นประกอบในสกรูยึดได้อย่างถูกต้อง



ห้ามใช้เต้ารับไฟ

ห้ามต่อลวดที่มีไฟฟ้า (L) หรือลวดไฟกลาง (N) เข้ากับสลักกรวดที่ปรากฏเป็นตัว E หรือ

สำหรับเครื่องที่ใช้ไฟ 115 V ที่มีพิกัดกำลังเกิน 1500 W เราขอแนะนำให้ใช้ปลั๊กมาตรฐาน BS4343

การใช้สายพ่วง

หากจำเป็นต้องใช้สายพ่วง ให้ใช้สายพ่วงที่ได้รับอนุมัติให้ใช้กับกำลังไฟของเครื่องมือนี้ (ดูข้อมูลทางด้านเทคนิค) ขนาดต่ำสุดของลื่อนาไฟฟ้าคือ 1.5 ตารางมิลลิเมตร เมื่อใช้ชุดอุปกรณ์จัดเก็บสายไฟ ให้คลายสายไฟออกจนหมดก่อน

ดูจากตารางด้านล่าง

ขนาดของลีดนำไฟฟ้า (ตารางมิลลิเมตร)	พิกัดของสายไฟ (แอมแปร์)
0.75	6
1.00	10
1.50	15
2.50	20
4.00	25
ความยาวของสายไฟ (ม.)	
	7.5 15 25 30 45 60

การประกอบและการปรับแต่ง



ถอดปลั๊กเครื่องทุกครั้งก่อนประกอบและปรับแต่ง

การปรับความลึกของงานไส (ภาพ B)

• หมุนปุ่มปรับความลึกงานไส (4) การหมุนปุ่มปรับความลึกหนึ่งรอบจะเปลี่ยนความลึก 1.5 มม. การค่อยๆ ปรับหนึ่งครั้งจะเท่ากับรอยไสที่ลึก 0.1 มม. และปรับได้ลึกสูงสุด 1.0 มม.

การติดและการถอดแผงกัน (ภาพ A & C)

ใช้แผงกัน (12) เพื่อควบคุมเครื่องขณะทำงานบนชิ้นงานที่แคบ

- คลายสลักยึดแผงกันออก (6)
- สอดแผงกัน (12) ลงไปในรู (7) จากแต่ละด้าน
- ขันสลักยึดแผงกันให้แน่น
- ถอดแผงกันออกได้ด้วยการทำงานตามลำดับย้อนหลัง

การถอดใบมีด (ภาพ D)

- ใช้ประแจ (14) ที่ให้มาพร้อมกับเครื่องคลายสลัก (13) สามตัวออก
- พลิกแผ่นป้องกันด้านข้าง (8) ขึ้น
- ถอดฝาครอบดรัม (17) ออกก่อนนำใบมีดออก (15) จากที่จับ
- วางใบมีดหรือเปลี่ยนเป็นใบใหม่



- เปลี่ยนใบมีดทั้งสองใบทุกครั้ง
- เปลี่ยนฝาครอบดรัม (17) ต้องทำความสะอาดใบมีดด้วยแท่นรองงานไส (16)
 - ขันเกลียวทั้งสามตัวให้แน่น (13)

การปรับใบมีด (ภาพ E)

- วางใบมีด (15) ลงในมาตรวัด (18) ขอบของใบมีดต้องชิดกับขอบด้านในของมาตรวัด (18) พอดี
- วางขายึด (19) ไว้บนใบมีดและหน้าแปลนของขายึดต้องชิดพอดีกับด้านหลังของ มาตรวัด
- ขันสกรูสองตัว (20) บนขายึดให้แน่น
- เลื่อนหน้าแปลนของขายึดลงไปในเรื่องของ ดรัม (21)
- วางฝาครอบดรัม (17) และขันสลักสามตัว (13) ให้แน่น

การลับใบมีดให้คม (ภาพ F)

- ยึดใบมีดเข้ากับที่จับ (22) ให้แน่น ขอบทั้งสองด้านของใบมีดต้องหันไปในทิศทางเดียวกัน
- วางขอบใบมีดเพื่อให้แนบสนิทกับหินฝน
- จับบริเวณเมื่อจับให้แน่น ก่อนขยับไปด้านหน้าและด้านหลังเพื่อลับใบมีด (15)

วิธีใช้เครื่อง



ทำตามคำแนะนำด้านความปลอดภัยและข้อกำหนดที่นำมาใช้เสมอ

ก่อนการใช้เครื่อง:

- ปรับความลึกของงานไส
- ถ้าจำเป็น ให้ประกอบแผงกันและปรับให้เหมาะสม



ใช้ใบมีดที่คมเท่านั้น

การเปิดและปิดเครื่อง (ภาพ A)

- กดสวิตช์เปิด/ปิด (1) เพื่อเปิดใช้เครื่อง กดปุ่มล็อคเครื่องเพื่อใช้งานเครื่องอย่างต่อเนื่อง(2) และคลายสวิตช์เปิด/ปิด
- คลายสวิตช์เปิด/ปิดเพื่อปิดเครื่อง หยุดเครื่องที่เปิดใช้งานอย่างต่อเนื่องได้ด้วยการกดสวิตช์เปิด/ปิดอีกหนึ่งครั้ง ปิดสวิตช์เครื่องทุกครั้งเมื่อทำงานเสร็จและก่อนดึงปลั๊กออก

การเปิดและปิดเครื่อง (สวิตช์นิรภัย) (ภาพ A)

หากเครื่องใส่ไฟฟ้ามียุติสวิตช์นิรภัยเพื่อป้องกันการทำงานที่ไม่คาดคิด โปรดทำตามคำแนะนำด้านล่าง ใช้เครื่องได้ด้วยการกดปุ่มปลดล็อค (2) และตามด้วยสวิตช์เปิด/ปิด (1) คลายปุ่มปลดล็อค (2) หยุดใช้เครื่องได้ด้วยการคลายสวิตช์เปิด/ปิด (1) ปิดสวิตช์เครื่องทุกครั้งเมื่อทำงานเสร็จแล้วและก่อนดึงปลั๊กออก



ห้ามเปิดหรือปิดสวิตช์เสถียรเมื่อไม่ได้ใช้งานเครื่อง

การใส่ (ภาพ A)

- เปิดสวิตช์การทำงานของเครื่องตามที่อธิบายไว้
- ค่อยๆ เลื่อนเครื่องไสบนขึ้นงาน



- ไม่ควรป้อนด้วยความเร็วที่สูงเกินไป โดยเฉพาะเมื่อใส่ด้วยความลึกสูงสุดและใช้ใบใส่ที่กว้างที่สุด
- โปรดจำไว้ว่า การใส่ดินๆ หลายๆ ครั้งย่อมดีกว่าการใส่ลึกหนึ่งครั้ง
- ปิดสวิตช์เครื่อง

เครื่องใส่ไฟฟ้าติดตั้งแทนพักเครื่อง (11) หลังจากปิดสวิตช์เครื่องแล้ว วางเครื่องลงได้โดยไม่ต้องรอให้ใบมีดหยุดหมุนก่อน



การตัดเตือน: อย่าลือคสวิตช์ควบคุมอยู่บนยางล้อที่จะเริ่มทำงาน มอเตอร์ยังสันอยู่จะทำให้เกิดเครื่องไล้ไม่ย่ำที่ แล้วอาจตกหล่นจากโต๊ะทำงาน



หากเป็นไปไม่ได้ ควรติดตั้งอุปกรณ์ดักขยะที่สอดคล้องกับข้อกำหนดการจัดเศษขยะที่เกี่ยวข้อง

ติดต่อตัวแทนจำหน่ายหากต้องการข้อมูลเพิ่มเติมเกี่ยวกับอุปกรณ์เสริมที่เหมาะสม

การบำรุงรักษา

เครื่องมือไฟฟ้า DEWALT ออกแบบมาเพื่อการใช้งานยาวนานต่อเนื่องโดยต้องการการบำรุงรักษาน้อยที่สุด การทำงานได้อย่างน่าพึงพอใจต่อเนื่อง จะขึ้นอยู่กับ การดูแลรักษาที่เหมาะสมและการทำความสะอาดอย่างสม่ำเสมอ



การหล่อลื่น

ไม่ต้องใช้สารหล่อลื่นเพิ่มเติมกับเครื่องมือไฟฟ้านี้

เครื่องอุปกรณ



คำเตือน: ถ้าเครื่องอุปกรณและเครื่องอื่นๆ ที่ DEWALT เสนอให้ไม่เคยผ่านการทดสอบโดยใช้ผลิตภัณฑ์ชิ้นนี้ ก็ใช้กับเครื่องมือนี้อาจเป็นอันตรายได้ เพื่อลดความเสี่ยงจากการเจ็บปวด DEWALT เป็นฝ่ายเดียวเท่านั้นที่รับรองว่าเครื่องอุปกรณใช้กับผลิตภัณฑ์ชิ้นนี้



การทำความสะอาด

อย่าปิดกั้นช่องระบายอากาศ และหมั่นทำความสะอาดตัวเครื่องด้วยผ้านุ่ม



เครื่องมือที่ไม่ใช้แล้วและสิ่งแวดลอม จัดส่งเครื่องมือให้กับศูนย์ซ่อมรับอนุญาตของ DEWALT เพื่อกำจัดด้วยวิธีการที่ปลอดภัยต่อสิ่งแวดล้อม

MÁY BÀO D26676

Chúc mừng bạn!

Vì bạn đã lựa chọn dụng cụ điện của DEWALT. Với nhiều năm kinh nghiệm, phát triển và đổi mới sản phẩm không ngừng, DeWALT đã trở thành người bạn đồng hành đáng tin cậy nhất của những người sử dụng dụng cụ điện cầm tay chuyên nghiệp.

Mục lục

Thông số kỹ thuật	en - 1
Hướng dẫn an toàn	en - 2
Nội dung gói	en - 3
Miêu tả	en - 3
An toàn về điện	en - 3
Thay thế phích cắm điện (chỉ B1)	en - 3
Sử dụng dây dẫn điện kéo dài	en - 3
Lắp ráp và điều chỉnh	en - 4
Hướng dẫn sử dụng	en - 4
Bảo trì	en - 5

Thông số kỹ thuật

D26676		
Điện áp	v	220-240
Công suất đầu vào	W	550
Tốc độ không tải	min-1	17,000
Chiều dài đế	mm	309
Chiều rộng bảo	mm	82
Chiều sâu rãnh (tối đa)	mm	9
Chiều sâu bảo tối ưu	mm	0-1
Chiều sâu bảo (tối đa)	mm	1.5
Trọng lượng	Kg	2.6

Các ký hiệu sau được dùng xuyên suốt sách hướng dẫn này:



Chỉ thương tật về người, mắt mạng hoặc hư hại cho dụng cụ trong trường hợp không đọc kỹ hướng dẫn trong sổ tay này.



Chỉ rủi ro bị giật điện.

Mức áp suất âm thanh được đo theo EN 60745:

D26676		
L_{pA} (áp suất âm thanh)	dB(A)	93
L_{wA} (áp suất âm thanh)	dB(A)	104



Bảo vệ thính giác khi áp suất âm thanh quá 85 dB(A).

Đo giá trị gia tốc bình phương theo EN 60745:

D26676	
	< 2,5 m/s ²

Cảnh báo tổng quát cách sử dụng an toàn dụng cụ điện cầm tay



CẢNH BÁO! Đọc kỹ mọi cảnh báo an toàn và hướng dẫn. Không tuân thủ mọi cảnh báo và hướng dẫn được liệt kê dưới đây có thể bị điện giật, gây cháy và/hoặc bị thương tật nghiêm trọng.

HÃY GIỮ TẤT CẢ TÀI LIỆU VÈ CẢNH BÁO VÀ HƯỚNG DẪN ĐỂ THAM KHẢO VÈ SỰ

Thuật ngữ "dụng cụ điện cầm tay" trong phần cảnh báo là đề cập đến sự sử dụng dụng cụ điện cầm tay của bạn, loại sử dụng điện nguồn (có dây cắm điện) hay vận hành bằng pin (không dây cắm điện).

1) KHU VỰC LÀM VIỆC AN TOÀN

- a) Giữ nơi làm việc làm việc sạch và đủ ánh sáng. Nơi làm việc bừa bộn và tối tăm dễ gây ra tai nạn.
- b) Không vận hành dụng cụ điện cầm tay trong môi trường dễ gây nổ, chẳng hạn như nơi có chất lỏng dễ cháy, khí đốt hay rác. Dụng cụ điện cầm tay tạo ra các tia lửa nên có thể làm rách bện cháy hay bốc khói.
- c) Không để trẻ em hay người đến xem đứng gần khi vận hành dụng cụ điện cầm tay. Sự phân tâm có thể gây ra sự mất điều khiển.

2) AN TOÀN VÈ ĐIỆN

- a) Phích cắm của dụng cụ điện cầm tay phải thích hợp với ổ cắm. Không bao giờ được cải biến lại phích cắm dưới mọi hình thức. Không được sử dụng phích tiếp hợp nối tiếp đất (dây mắt). Phích cắm nguyên bản và ổ cắm đúng loại sẽ làm giảm nguy cơ bị điện giật.
- b) Tránh không để thân thể tiếp xúc với đất hay các vật có bề mặt tiếp đất như đường ống, lò sưởi, trần và tủ lạnh. Có nhiều nguy cơ bị điện giật hơn nếu cơ thể bạn bị tiếp hay nối đất.
- c) Không được để dụng cụ điện cầm tay ngoài mưa hay ở tình trạng ẩm ướt. Nước vào máy sẽ làm tăng nguy cơ bị điện giật.
- d) Không được lạm dụng dây dẫn điện. Không bao giờ được nắm dây dẫn để xách, kéo hay rút phích cắm điện nguồn điện cầm tay. Không để dây gần nơi có nhiệt độ cao, dầu nhớt, vật nhọn bén hay bộ phận chuyển động. Làm hỏng hay cuộn rối dây dẫn làm tăng nguy cơ bị điện giật.
- e) Khi sử dụng dụng cụ điện cầm tay ngoài trời, dùng dây nối thích hợp cho việc sử dụng ngoài trời. Sử dụng dây nối thích hợp cho việc sử dụng ngoài trời làm giảm nguy cơ bị điện giật.
- f) Nếu việc sử dụng dụng cụ điện cầm tay ở nơi ẩm ướt là không thể tránh được, dùng thiết bị ngắt mạch tự động (RCD) bảo vệ nguồn. Sử dụng thiết bị ngắt mạch tự động RCD làm giảm nguy cơ bị điện giật.

3) AN TOÀN CÁ NHÂN

- a) Hãy tỉnh táo, biết rõ mình đang làm gì và hãy sử dụng ý thức khi vận hành dụng cụ điện cầm tay. Không sử dụng dụng cụ điện cầm tay khi đang mệt mỏi hay đang bị tác động do chất gây nghiện, rượu hay được phẩm gây ra. Một thoáng mất tập trung khi đang vận hành dụng cụ điện cầm tay có thể gây thương tích nghiêm trọng cho bản thân.
- b) Sử dụng trang bị bảo hộ cá nhân. Luôn luôn đeo kính bảo vệ mắt. Trang bị bảo hộ như khẩu trang, giày chống trượt, nón bảo hộ, hay dụng cụ bảo vệ tai khi được sử dụng đúng nơi đúng chỗ sẽ làm giảm nguy cơ thương tật cho bản thân.
- c) Phòng tránh máy khởi động bất ngờ. Bảo đảm công tắc máy ở vị trí tắt trước khi cắm vào nguồn điện và/hoặc lắp pin vào, khi nhắc máy lên hay khi mang xách máy. Ngáng ngón tay vào công tắc máy để xách hay kích hoạt dụng cụ điện cầm tay khi công tắc ở vị trí mở dễ dẫn đến tai nạn.
- d) Lấy mọi chia khóa điều chỉnh ra trước khi mở điện dụng cụ điện cầm tay. Khóa hay chia còn gắn dính

vào bộ phận quay của dụng cụ điện cầm tay có thể gây thương tích cho bản thân.

- e) Không rướn người. Luôn luôn giữ tư thế đứng thích hợp và thăng bằng. Điều này tạo cho việc điều khiển dụng cụ điện cầm tay tốt hơn trong mọi tình huống bất ngờ.
- f) Trang phục thích hợp. Không mặc quần áo rộng lùng lùng hay mang trang sức. Giữ tóc, quần áo và găng tay xa khỏi các bộ phận chuyển động. Quần áo rộng lung tung, đồ trang sức hay tóc dài có thể bị cuốn vào các bộ phận chuyển động.
- g) Nếu có các thiết bị đi kèm để nối máy hút bụi và các phụ kiện khác, bảo đảm các thiết bị này được nối và sử dụng tốt. Việc sử dụng các thiết bị gom hút bụi có thể làm giảm các độc hại liên quan đến bụi gây ra.

4) SỬ DỤNG VÀ BẢO DƯỠNG DỤNG CỤ ĐIỆN CẦM TAY

- a) Không được ép máy. Sử dụng dụng cụ điện cầm tay đúng loại theo đúng ứng dụng của bạn. Dụng cụ điện cầm tay đúng chức năng sẽ làm việc tốt và an toàn hơn theo đúng tiến độ mà máy được thiết kế.
- b) Không sử dụng dụng cụ điện cầm tay nếu hỏng công tắc không tắt và mở được. Bất kỳ dụng cụ điện cầm tay nào mà không thể điều khiển được bằng công tắc là nguy hiểm và phải được sửa chữa.
- c) Rút phích cắm ra khỏi nguồn điện và/hoặc pin ra khỏi dụng cụ điện cầm tay trước khi tiến hành bất kỳ điều chỉnh nào, thay phụ kiện, hay cất dụng cụ điện cầm tay. Các biện pháp ngăn ngừa như vậy làm giảm nguy cơ dụng cụ điện cầm tay khởi động bất ngờ.
- d) Cất giữ dụng cụ điện cầm tay không dùng tới nơi trẻ em không lấy được và không cho người chưa từng biết dụng cụ điện cầm tay hay các hướng dẫn này sử dụng dụng cụ điện cầm tay. Dụng cụ điện cầm tay nguy hiểm khi ở trong tay người chưa được chỉ cách sử dụng.
- e) Bảo quản dụng cụ điện cầm tay. Kiểm tra xem các bộ phận chuyển động có bị sai lệch hay kẹt, các bộ phận bị rạn nứt và các tình trạng khác có thể ảnh hưởng đến sự vận hành của máy. Nếu bị hư hỏng, phải sửa chữa máy trước khi sử dụng. Nhiều tai nạn xảy ra do bảo quản dụng cụ điện cầm tay kém.
- f) Giữ các dụng cụ cất bện và sạch. Bảo quản đúng cách các dụng cụ cất có cạnh cắt bén làm giảm khả năng bị kẹt và dễ điều khiển hơn.
- g) Sử dụng dụng cụ điện cầm tay, phụ kiện, đầu cài, v.v... đúng theo các chỉ dẫn này, hãy lưu ý đến điều kiện làm việc và công việc phải thực hiện. Sử dụng dụng cụ điện cầm tay khác với mục đích thiết kế có thể tạo nên tình huống nguy hiểm. Sử dụng dụng cụ điện cầm tay khác với mục đích thiết kế có thể tạo nên tình huống nguy hiểm.

5) BẢO DƯỠNG

- a) Đưa dụng cụ điện cầm tay của bạn đến thợ chuyên môn để bảo dưỡng, chỉ sử dụng phụ tùng đúng chủng loại để thay thế. Điều này sẽ đảm bảo sự an toàn của máy được giữ nguyên.

CHỈ ĐÁN CHI TIẾT BỔ SUNG ĐỂ SỬ DỤNG MÁY BẢO AN TOÀN

Đợi cho dao cắt dừng trước khi đặt dụng cụ xuống. Dao cắt hờ có thể dính vào bề mặt dẫn đến mất kiểm soát và thương tích nghiêm trọng.

Nội dung đóng

Gói bao gồm:

- 1 Máy bảo
- 1 Chân song song
- 1 Cờ lê
- 1 Sổ tay hướng dẫn
- 1 Cờ
- 1 Bộ giữ lưỡi dao.

- Kiểm tra hư hại đối với dụng cụ, các phần hoặc phụ kiện có thể xảy ra trong khi vận chuyển.
- Dành thời gian đọc kỹ và hiểu số tay này trước khi

vận hành

Miêu tả (Hình A & C)

Máy bảo chất lượng cao DEWALT D26676 của bạn được thiết kế để chuyên bảo gỗ.

- 1 Công tắc BẬT/TẮT
- 2 Nút khóa
- 3 Đũa ra phôi bào
- 4 Núm điều chỉnh độ sâu bào
- 5 Vạch chia độ sâu bào
- 6 Vít cố định chắn song song
- 7 Lỗ đút chắn song song
- 8 Chắn bảo vệ bên (Không bao gồm trong mẫu)
- 9 Vô động cơ
- 10 Vô đai truyền động
- 11 Chốt dừng
- 12 Chắn song song

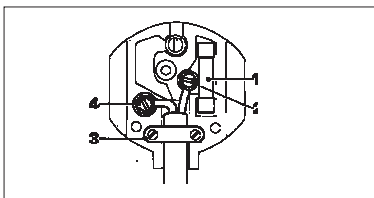
An toàn về điện

Mô tơ điện được thiết kế chỉ cho một điện áp. Luôn luôn kiểm tra nguồn điện tương ứng với mức điện áp trên nhãn máy.

Dụng cụ DeWALT của bạn được cách điện kép vì thế không cần dây nối đất.

Thay thế phích cắm điện lưới (Chỉ cho U.K. & Ireland)

- Nếu phích cắm điện lưới cần thay thế và bạn có khả năng làm điều này, hãy thực hiện theo hướng dẫn bên dưới. Nếu bạn không hiểu, hãy liên hệ với một cơ quan sửa chữa được DeWALT ủy quyền hoặc một kỹ thuật viên có trình độ.
- Không ngắt kết nối nói phích cắm khỏi nguồn
- Ngắt phích cắm và tiêu hủy nó an toàn; phích cắm có dây dẫn bằng đồng trơn sẽ nguy hiểm nếu nó dính vào lỗ cắm có điện.
- Chỉ phù hợp với phích cắm đã qua kiểm định 13 Amperes BS1363A phù hợp với dây chày định mức đúng fuse (1).
- Màu của dây dẫn điện, hoặc ký hiệu sẽ được đánh dấu trên các điểm kết nối của hầu hết các phích cắm chất lượng tốt. Nối dây dẫn với các điểm tương ứng của chúng trong phích cắm (xem bên dưới). Màu nâu thể hiện là có điện (L) (2) và màu xanh da trời thể hiện là trung tính (N) (4).
- Trước khi thay thế vỏ ngoài của phích cắm điện lưới cần đảm bảo rằng phần giảm chấn dây dẫn điện (3) giữ chặt lớp vỏ ngoài cùng của dây dẫn điện và hai đầu ra được gắn đúng tại các đinh ốc đầu cuối.



Không bao giờ sử dụng đui đèn
Không bao giờ kết nối dây có điện (L) hoặc trung tính

(N) với pin mặt đất được đánh dấu E hoặc .
Đối với các bộ phận 115V có công suất vượt quá 1500 W, chúng tôi đề nghị điều chỉnh phích cắm theo tiêu chuẩn BS4343.

Sử dụng dây dẫn điện nối dài

Nếu dây dẫn điện nối dài được yêu cầu, sử dụng dây dẫn

điện nối dài đã được phê duyệt phù hợp với công suất đầu vào của dụng cụ này (xem thông số kỹ thuật). Kích thước dây dẫn tối thiểu là 1.5 mm². Khi sử dụng cuộn dây áp, luôn tháo dây dẫn điện ra hoàn toàn.

Tham khảo bảng bên dưới:

Cỡ dây dẫn (mm ²)	Dòng điện định mức (Amperes)
0,75	6
1,00	10
1,50	15
2,50	20
4,00	25
Chiều dài dây dẫn điện (m)	
7,5	15
15	25
25	30
30	45
45	60

Lắp ráp và điều chỉnh



Luôn luôn rút phích cắm khỏi dụng cụ trước khi lắp ráp và điều chỉnh.

Điều chỉnh chiều sâu của vết cắt (hình B)

Vặn núm điều chỉnh chiều sâu bào (4). Một vòng quay của núm điều chỉnh tương đương với sự thay đổi 1.5mm về chiều sâu. Một khắc chia độ tương ứng với chiều sâu của vết cắt là 0.1 mm, và điều này mang lại chiều sâu là 1.0mm.

Gắn hoặc gỡ bỏ chắn song song (hình A & C)

- Chắn song song (12) được sử dụng để điều khiển dụng cụ tối ưu trên những phôi hẹp.
- Nới lỏng bu-lông đệm chắn song song (6).
- Điều chỉnh chắn song song (12) trong lỗ (7) từ một trong hai bên.
- Siết bu-lông đệm chắn song song.
- Để gỡ bỏ chắn song song, tiến chiều ngược lại.

Gỡ bỏ dao cắt (hình D)

Gỡ bỏ ba bu-lông (13) bằng cờ lê (14) được cung cấp
Lật chắn bảo vệ bên lên (8).
Gỡ bỏ vỏ đệm (17) và gỡ bỏ dao cắt (15) khỏi cái kẹp.
Đặt dao cắt hoặc thay thế nó.



- Luôn luôn thay cả hai dao cắt.
- Thay thế vỏ bánh đà (17). Chắc chắn rằng dao cắt để bằng với đế bảo (16).
 - Siết chặt ba bu-lông (13).

Điều chỉnh dao cắt (hình E)

- Đặt dao cắt (15) lên trên cờ (18), và điều chỉnh gờ dao cắt bằng hoàn toàn với gờ bên trong của cờ (18).
- Đặt bộ (19) lên trên dao cắt và bản đế của bộ bằng với mặt sau của cờ.
- Siết chặt hai đinh ốc (20) trên bộ.
- Trượt bản đế của bộ vào khe của bánh đà (21).
- Đặt vỏ bánh đà (17) và siết chặt ba bu-lông (13).

Mài dao cắt (hình F)

- Bật chặt dao cắt vào cái kẹp mài (22). Cần chắc chắn

- rằng cả hai gờ của dao cắt quay theo cùng một hướng.
- Đặt hai gờ của dao cắt để chúng nằm phẳng trên đá mài.
- Bắt chặt bộ kẹp lưỡi và di chuyển tiến và lùi để mài dao cắt (15).

Hướng dẫn sử dụng

Luôn luôn quan sát hướng dẫn an toàn và quy định nếu có.

Trước khi vận hành:

- Điều chỉnh độ sâu của vết cắt.
- Nếu cần, cố định và điều chỉnh chấn song song.



Chỉ sử dụng các dao cắt sắc.

BẬT và TẮT (hình A)

- Để chạy dụng cụ, nhấn công tắc BẬT/TẮT (1). Để vận hành liên tục, nút khóa công tắc (2) và thả công tắc BẬT/TẮT.
- Để dừng dụng cụ, thả công tắc BẬT/TẮT. Để dừng dụng cụ trong chế độ vận hành liên tục, nhấn công tắc BẬT/TẮT thêm một lần nữa. Luôn luôn nhấn phím TẮT dụng cụ khi công việc hoàn thành và trước khi rút phích cắm.

Nhấn BẬT và TẮT (nhấn an toàn) (hình A)

Nếu máy bảo của bạn được trang bị với một công tắc an toàn để tránh tác động nhầm, hãy thực hiện theo chỉ dẫn dưới đây.

Để chạy dụng cụ, nhấn nút lock-off (2) và sau đó nhấn công tắc BẬT/TẮT (1). Thả nút lock-off (2).

Để dừng dụng cụ, thả công tắc BẬT/TẮT (1). Luôn nhấn TẮT dụng cụ khi công việc hoàn thành và trước khi rút phích cắm.



Không nhấn BẬT hoặc TẮT khi đang tải.

Bảo (hình A)

- BẬT dụng cụ như miêu tả.
- Di chuyển chậm chậm máy bảo trên phi.



- Tốc độ dẫn tiến không nên quá cao, đặc biệt là khi sử dụng chiều sâu bảo và chiều rộng bảo tối đa.
- Ghi nhớ rằng vải vết bảo nông thì tốt hơn là một vết bảo sâu.
- TẮT dụng cụ.

Máy bảo của bạn được trang bị với một đế dừng (11). Sau khi TẮT, có thể đặt dụng cụ xuống mà không cần đợi đến khi dao bảo dừng lại.



CHÚ Ý: Không khóa công tắc khởi động và gài chặt đế dừng. Độ rung do động cơ đang chạy gây ra sẽ khiến máy bảo di chuyển, có thể rơi khỏi phi.



Bất cứ khi nào có thể, kết nối thiết bị tách bụi được thiết kế theo các quy định liên quan tới việc lượng bụi thải.

Tham khảo đại lý của bạn để có thêm thông tin về các phụ kiện phù hợp.

Bảo trì

Dụng cụ điện DEWALT của bạn được thiết kế để vận hành trong một thời gian dài với mức bảo trì tối thiểu. Việc vận hành tốt liên tục phụ thuộc vào việc bảo quản dụng cụ hợp lý và lau chùi thường xuyên.



Bôi trơn

Dụng cụ điện của bạn không cần bôi trơn.

Phụ kiện



CẢNH BÁO: Vì các phụ kiện, không do DEWALT cung cấp, chưa qua kiểm nghiệm với sản phẩm này, việc sử dụng các dụng cụ như thế với dụng cụ có thể gây nguy hiểm. Để giảm nguy cơ thương tật, chỉ những phụ kiện do DEWALT đề xuất mới có thể được sử dụng với sản phẩm này.



Lau chùi

Giữ khe thông gió sạch và lau chùi thường xuyên các đường rãnh bằng vải mềm.



Các dụng cụ không mong muốn và môi trường

Đem dụng cụ của bạn đến đại lý sửa chữa được DEWALT ủy quyền, tại đây dụng cụ được tiêu hủy theo một cách an toàn với môi trường.

