
DEWALT®

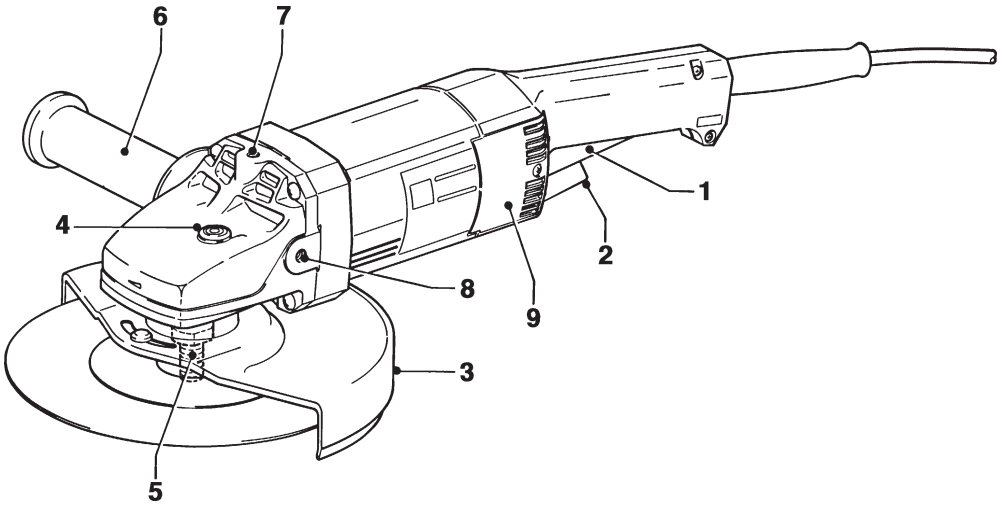
DW848

DW852

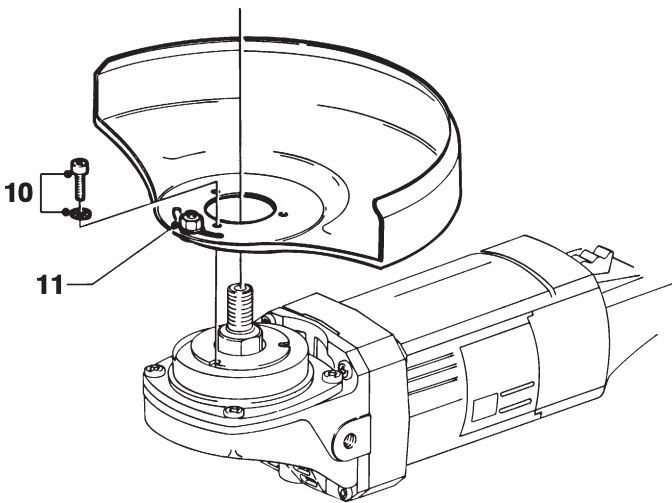
English	1
----------------	----------

Español	6
----------------	----------

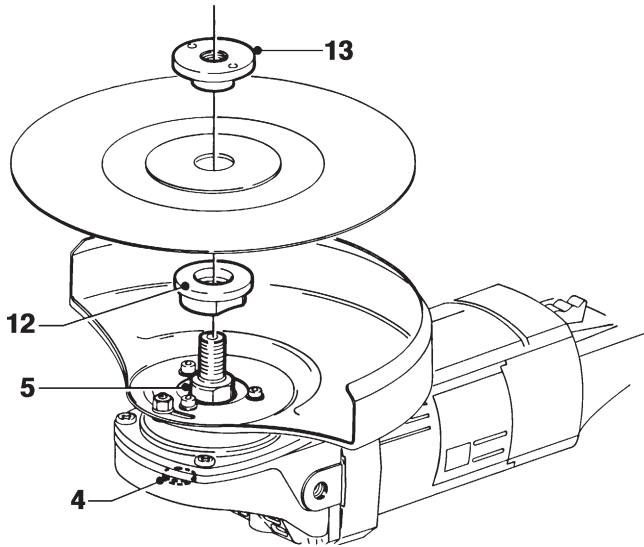
Português	12
------------------	-----------



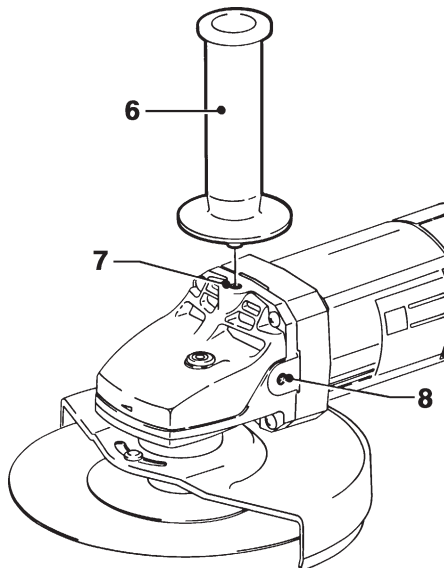
A



B



C



D

ANGLE GRINDER DW848/DW852

Congratulations!

You have chosen a DeWALT Power Tool. Years of experience, thorough product development and innovation make DeWALT one of the most reliable partners for professional Power Tool users.

Table of contents

Technical data	en - 1
Declaration of conformity	en - 2
Safety instructions	en - 2
Package contents	en - 3
Description	en - 3
Electrical safety	en - 4
Using an extension cable	en - 4
Assembly and adjustment	en - 4
Instructions for use	en - 4
Maintenance	en - 5
Guarantee	en - 5

Technical data

		DW848	DW852
Voltage	V	230	230
(Latin America only)	V	120	120
Power input	W	2,000	1,800
No load speed	min ⁻¹	8,000	6,300
Wheel diameter	mm	180	230
Spindle		M14	M14
Weight	kg	4.6	4.6

Fuses:

120 V tools	15 Amperes
230 V tools	10 Amperes

The following symbols are used throughout this manual:



Denotes risk of personal injury, loss of life or damage to the tool in case of non-observance of the instructions in this manual.



Denotes risk of electric shock.



Fire hazard.

Declaration of conformity



DW848/DW852

DeWALT declares that these Power Tools have been designed in compliance with: 89/392/EEC, 89/336/EEC, 73/23/EEC, EN 50144, EN 55104, EN 55014, EN 61000-3-2 & EN 61000-3-3.

Level of sound pressure according to 86/188/EEC & 89/392/EEC, measured according to EN 50144:

		DW848	DW852
L_{pA} (sound pressure)	dB(A)*	94.2	94.2
L_{WA} (acoustic power)	dB(A)	86.2	86.2

* at the operator's ear



Take appropriate measures for the protection of hearing if the sound pressure of 85 dB(A) is exceeded.

Weighted root mean square acceleration value according to EN 50144:

DW848	DW852
handle/side handle	handle/side handle
2.94/1.64 m/s ²	2.94/1.64 m/s ²

Director Engineering and Product Development
Horst Großmann

DeWALT, Idstein, Germany

Safety instructions

When using Power Tools, always observe the safety regulations applicable in your country to reduce the risk of fire, electric shock and personal injury. Read the following safety instructions before attempting to operate this product.

Keep these instructions in a safe place!

General

1 Keep work area clean

Cluttered areas and benches can cause accidents.

2 Consider work area environment

Do not expose Power Tools to humidity. Keep work area well lit. Do not use Power Tools in the presence of inflammable liquids or gases.

3 Guard against electric shock

Prevent body contact with earthed surfaces (e.g. pipes, radiators, cookers and refrigerators). For use under extreme conditions (e.g. high humidity, when metal swarf is being produced, etc.) electric safety can be improved by inserting an isolating transformer or a (FI) earth-leakage circuit-breaker.

4 Keep children away

Do not let children come into contact with the tool or extension cord. Supervision is required for those under 16 years of age.

5 Extension cords for outdoor use

When the tool is used outdoors, always use extension cords intended for outdoor use and marked accordingly.

6 Store idle tools

When not in use, Power Tools must be stored in a dry place and locked up securely, out of reach of children.

7 Dress properly

Do not wear loose clothing or jewellery. They can be caught in moving parts. Preferably wear rubber gloves and non-slip footwear when working outdoors. Wear protective hair covering to keep long hair out of the way.

8 Wear safety goggles

Also use a face or dust mask in case the operations produce dust or flying particles.

9 Beware of maximum sound pressure

Take appropriate measures for the protection of hearing if the sound pressure of 85 dB(A) is exceeded.

10 Secure workpiece

Use clamps or a vice to hold the workpiece. It is safer and it frees both hands to operate the tool.

11 Do not overreach

Keep proper footing and balance at all times.

12 Avoid unintentional starting

Do not carry the plugged-in tool with a finger on the switch. Be sure that the switch is released when plugging in.

13 Stay alert

Watch what you are doing. Use common sense.
Do not operate the tool when you are tired.

14 Disconnect tool

Shut off power and wait for the tool to come to a complete standstill before leaving it unattended.
Unplug the tool when not in use, before servicing or changing accessories.

15 Remove adjusting keys and wrenches

Always check that adjusting keys and wrenches are removed from the tool before operating the tool.

16 Use appropriate tool

The intended use is laid down in this instruction manual. Do not force small tools or attachments to do the job of a heavy-duty tool. The tool will do the job better and safer at the rate for which it was intended.

Warning! The use of any accessory or attachment or performance of any operation with this tool, other than those recommended in this instruction manual may present a risk of personal injury.

17 Do not abuse cord

Never carry the tool by its cord or pull it to disconnect from the socket. Keep the cord away from heat, oil and sharp edges.

18 Maintain tools with care

Keep the tools in good condition and clean for better and safer performance. Follow the instructions for maintenance and changing accessories. Inspect the tool cords at regular intervals and, if damaged, have them repaired by an authorized DeWALT repair agent. Inspect the extension cords periodically and replace them if damaged. Keep all controls dry, clean and free from oil and grease.

19 Check for damaged parts

Before using the tool, carefully check it for damage to ensure that it will operate properly and perform its intended function. Check for misalignment and seizure of moving parts, breakage of parts and any other conditions that may affect its operation. Have damaged guards or other defective parts repaired or replaced as instructed.

Do not use the tool if the switch is defective. Have the switch replaced by an authorized DeWALT repair agent.

20 Have your tool repaired by an authorized DeWALT repair agent

This Power Tool is in accordance with the relevant safety regulations. To avoid danger, electric appliances must only be repaired by qualified technicians.

Additional safety rules for Angle Grinders

- Your Angle Grinder has been designed for grinding and cutting masonry and steel.



Do not cut or grind light metal with a magnesium content exceeding 80% since this type of metal is flammable.

- Do not use any accessories other than fibre reinforced grinding wheels and cutting disks.
- Use the grinding wheels and cutting disks recommended by the manufacturer only.
- The no-load speed of the grinding wheel or cutting disk must not exceed the value printed on the nameplate (instruction sheet).
- Do not cut workpieces requiring a maximum depth of cut exceeding that of the cutting disk.

Package contents

The package contains:

- 1 Angle Grinder
- 1 Guard
- 1 Side handle
- 1 Two-pin spanner
- 1 Instruction manual
- 1 Exploded drawing

- Check for damage to the tool, parts or accessories which may have occurred during transport.
- Take the time to thoroughly read and understand this manual prior to operation.

Description (fig. A)

Your DeWALT Angle Grinder has been designed for professional grinding and cutting applications.

- 1 ON/OFF-switch
- 2 Locking switch
- 3 Guard
- 4 Spindle lock
- 5 Spindle
- 6 Side handle

- 7 Top hole
- 8 Side holes
- 9 Carbon brush covers

Electrical safety

The electric motor has been designed for one voltage only. Always check that the power supply corresponds to the voltage on the rating plate.



Your DEWALT tool is double insulated in accordance with EN 50144; therefore no earth wire is required.

Using an extension cable

If an extension cable is required, use an approved extension cable suitable for the power input of this tool (see technical data). An undersized cable will cause a drop in line voltage resulting in loss of power and overheating.

When using a cable reel, always unwind the cable completely.

Also refer to the table below.

Minimum gage for cable sets

Voltage	Total cable length in feet		
120 0-25	26-50	51-100	101-150
240 0-50	51-100	101-200	201-300

Ampere rating

More than	Not more than		AWG	
0-6	18	16	16	14
6-10	18	16	14	12
10-12	16	16	14	12
12-16	14	12	not recommended	

Assembly and adjustment



Prior to assembly and adjustment always unplug the tool.

Mounting and removing the guard (fig. B)

- Place the Angle Grinder on a table, spindle up.
- Mount the guard to the tool using the three screws (10) with star washers.
- Rotate the guard to the required position and tighten the lock nut (11).
- To remove the guard, loosen the three screws (10).

Fitting and removing a grinding wheel or cutting disk (fig. C)

- Place the tool on a table, guard up.
- Fit the spacer (12) correctly onto the spindle (5).
- Place the grinding wheel or cutting disk on the spacer.
- Screw the threaded flange (13) onto the spindle (5).
- Press the spindle lock (4) and rotate the grinding wheel or cutting disk until it locks in position.
- Tighten the threaded flange (13) with the two-pin spanner supplied.
- Release the spindle lock.
- To remove the grinding wheel or cutting disk, loosen the threaded flange (13) with the two-pin spanner.

Fitting a wire cup brush

- Screw the wire cup brush directly onto the spindle without the use of the spacer and threaded flange.

Mounting the side handle (fig. D)

- For grinding, screw the side handle (6) tightly into one of the holes (8) on either side of the gear case.
- For cutting, screw the side handle (6) tightly into the top hole (7).

Instructions for use



- Always observe the safety instructions and applicable regulations.
- Ensure all materials to be ground or cut are secured in place.
- Apply only a gentle pressure to the tool. Do not exert side pressure on the grinding wheel or cutting disk.
- Avoid overloading. Should the tool become hot, let it run a few minutes under no load condition.

Prior to operation:

- Install the appropriate guard and disk or wheel. Do not use excessively worn disks or wheels.
- Be sure the spacer and threaded flange are mounted correctly.
- Make sure the disk or wheel rotates in the direction of the arrows on the accessory and the tool.

Switching ON and OFF (fig. A)

The ON/OFF-switch of your Angle Grinder is equipped with a locking switch for continuous operation.

- To run the tool, press the ON/OFF-switch. The tool now runs in continuous operation.
- To stop the tool, press the locking switch briefly, and release the ON/OFF-switch.



Do not switch the tool ON or OFF when under load.

Consult your dealer for further information on the appropriate accessories.

Maintenance

Your DeWALT Power Tool has been designed to operate over a long period of time with a minimum of maintenance. Continuous satisfactory operation depends upon proper tool care and regular cleaning.

Carbon brushes

The carbon brushes are well accessible and can be replaced easily. The brushes must be checked every 50 hours of operation.



Lubrication

Your Power Tool requires no additional lubrication.



Cleaning

Keep the ventilation slots clear and regularly clean the housing with a soft cloth.



Unwanted tools and the environment

Take your tool to an authorized DeWALT repair agent where it will be disposed of in an environmentally safe way.

GUARANTEE

• 30 DAY NO RISK SATISFACTION GUARANTEE •

If you are not completely satisfied with the performance of your DeWALT tool, simply return it within 30 days, complete as purchased, to a participating Dealer, or an authorized DeWALT repair agent, for a full refund or exchange. Proof of purchase must be produced.

• ONE YEAR FREE SERVICE CONTRACT •

If you need maintenance or service for your DeWALT tool, in the 12 months following purchase, it will be undertaken free of charge at an authorized DeWALT repair agent. Proof of purchase must be produced. Includes labour and spare parts for Power Tools. Excludes accessories.

• ONE YEAR FULL WARRANTY •

If your DeWALT product becomes defective due to faulty materials or workmanship within 12 months from the date of purchase, we guarantee to replace all defective parts free of charge or, at our discretion, replace the unit free of charge provided that:

- The product has not been misused.
- Repairs have not been attempted by unauthorized persons.
- Proof of purchase date is produced.

This guarantee is offered as an extra benefit and is additional to consumers statutory rights.

For the location of your nearest authorized DeWALT repair agent, please use the appropriate telephone number on the back of this manual.

AMOLADORA ANGULAR DW848/DW852

¡Enhorabuena!

Usted ha optado por una herramienta eléctrica DeWALT. Muchos años de experiencia y una gran asiduidad en el desarrollo y la innovación de sus productos han convertido DeWALT en un socio muy fiable para el usuario profesional.

Contenido

Características técnicas	es - 1
Declaración de conformidad	es - 2
Instrucciones de seguridad	es - 2
Verificación del contenido del embalaje	es - 3
Descripción	es - 4
Seguridad eléctrica	es - 4
Utilización de un cable de prolongación	es - 4
Montaje y ajustes	es - 4
Instrucciones para el uso	es - 5
Mantenimiento	es - 5
Garantía	es - 6

Características técnicas

		DW848	DW852
Voltaje	V	230	230
(solo Latinoamérica)	V	120	120
Potencia absorbida	W	2.000	1.800
Velocidad en vacío	min ⁻¹	8.000	6.300
Diámetro del disco	mm	180	230
Eje portamuelas		M14	M14
Peso	kg	4,6	4,6

Fusibles

Herramientas 120 V:	15 A
Herramientas 230 V:	10 A

En el presente manual figuran los pictogramas siguientes:



Indica peligro de lesiones, de accidentes mortales o de averías en la herramienta en caso de no respeto de las instrucciones en este manual.



Indica tensión eléctrica.



Peligro de incendio.

Declaración de conformidad



DW848/DW852

DeWALT certifica que estas herramientas eléctricas han sido construidas de acuerdo a las normas siguientes: 89/392/CEE, 89/336/CEE, 73/23/CEE, EN 50144, EN 55104, EN 55014, EN 61000-3-2 & EN 61000-3-3.

El nivel de la presión acústica de acuerdo con las normas 86/188/CEE & 89/392/CEE, medida de acuerdo con EN 50144:

		DW848	DW852
L_{pA} (presión acústica)	dB(A)*	94,2	94,2
L_{WA} (potencia acústica)	dB(A)	86,2	86,2

* al oído del usuario



Tome medidas adecuadas para proteger sus oídos cuando la presión acústica exceda el valor de 85 dB(A).

Valor cuadrático medio ponderado en frecuencia de la aceleración según EN 50144:

DW848	DW852
empuñadura/empuñadura lateral	empuñadura/empuñadura lateral
2,94/1,64 m/s ²	2,94/1,64 m/s ²

Director Engineering and Product Development
Horst Großmann

DeWALT, Idstein, Alemania

Instrucciones de seguridad

Al utilizar Herramientas Eléctricas, observe las reglas de seguridad en vigor en su país, a fin de reducir el riesgo de descarga eléctrica, de lesiones y de incendio. Lea las instrucciones de seguridad siguientes antes de utilizar este producto.

¡Conserve bien estas instrucciones de seguridad!

Generalidades

1 Mantenga limpia el área de trabajo

Un área o un banco de trabajo en desorden aumentan el riesgo de accidentes.

2 Tenga en cuenta el entorno del área de trabajo

No exponga las Herramientas Eléctricas a la humedad. Procure que el área de trabajo esté bien iluminada. No utilice Herramientas Eléctricas en la proximidad de líquidos o gases inflamables.

3 Protéjase contra las descargas eléctricas

Evite el contacto del cuerpo con las superficies conectadas a tierra (p. ej. tuberías, radiadores, cocinas eléctricas y refrigeradores). Para aplicaciones de uso extremas (por ej. humedad elevada formación de polvo metálico, etc.), se puede aumentar la seguridad eléctrica a través de intercalar un transformador de separación o un interruptor de protección de corriente de defecto (FI).

4 ¡Mantenga alejados a los niños!

No permita que otras personas toquen la herramienta o el cable de prolongación. En caso de uso por menores de 16 años, se requiere supervisión.

5 Cables de prolongación para el exterior

Al trabajar fuera, utilice siempre cables de prolongación destinados al uso exterior y marcados en consecuencia para ello.

6 Guarde las herramientas que no utiliza

Las Herramientas Eléctricas que no se utilizan, deben estar guardadas en un lugar seco, cerrado y fuera del alcance de los niños.

7 Vista ropa de trabajo apropiada

No lleve vestidos anchos ni joyas. Estos podrían ser atrapados por piezas en movimiento. Para trabajos al exterior, se recomienda llevar guantes de goma y calzado de suela antideslizante. Si tiene el pelo largo, téngalo recogido y cubierto.

8 Lleve gafas de protección

Utilice también una mascarilla si el trabajo ejecutado produce polvo u otras partículas volantes.

9 Respete el nivel máximo de la presión acústica

Tome medidas adecuadas para la protección de los oídos cuando la presión acústica exceda el valor de 85 dB(A).

10 Sujete bien la pieza de trabajo

Utilice abrazaderas o un torno para sujetar la pieza de trabajo. Es más seguro que sujetarla

con la mano y le permite utilizar ambas manos para manejar la herramienta.

11 No alargue demasiado su radio de acción

Mantenga un apoyo firme sobre el suelo y conserve el equilibrio en todo momento.

12 Evite un arranque involuntario

No mantenga el dedo en el interruptor al transportar la herramienta enchufada. Asegúrese de que el interruptor esté en posición de parada al enchufar la herramienta.

13 Esté siempre alerta

Mire lo que está haciendo. Use el sentido común. No maneje la herramienta cuando está cansado.

14 Desenchufe la herramienta

Desconecte la herramienta y espere que esté completamente parada antes de dejarla sin vigilar. Desenchufe la herramienta cuando no se utilice y antes de proceder al mantenimiento o sustituir accesorios.

15 Retire las llaves de maniobra

Antes de poner la herramienta en marcha, asegúrese de que las llaves y utensilios de reglaje hayan sido retirados.

16 Utilice la herramienta adecuada

En este manual, se indica para qué uso está destinada la herramienta. No utilice herramientas o dispositivos acoplables de potencia demasiado débil para ejecutar trabajos pesados. La herramienta funcionará mejor y con mayor seguridad al ser utilizada de acuerdo con sus características técnicas.

¡ATENCIÓN! El uso de accesorios o acoplamientos, o el uso de la herramienta misma distintos de los recomendados en este manual de instrucciones, puede dar lugar a lesiones de personas.

17 Cuide el cable de alimentación

No lleve la herramienta por el cable, ni tire del cable para desenchufar la herramienta. Proteja el cable del calor, del aceite y de las aristas vivas.

18 Mantenga las herramientas asiduamente

Mantenga sus herramientas afiladas y limpias para trabajar mejor y más seguro. Siga las instrucciones para el mantenimiento y la sustitución de accesorios. Verifique los cables de las herramientas con regularidad y, en caso de avería, llévelos a un Centro de Servicio DeWALT para que sean reparados. Inspeccione los cables

de prolongación periódicamente y sustitúyalos cuando presenten defectos. Mantenga todos los mandos secos, limpios y libres de aceite y grasa.

19 Comprobar que no haya partes averiadas

Antes de utilizar la herramienta, compruebe que no haya averías, a fin de asegurar que funcionará correctamente y sin problemas. Compruebe que no haya desalineamiento o enganchamiento de piezas en movimiento, ni roturas de piezas, ni accesorios mal montados, ni cualquier otro defecto que pudiera perjudicar al buen funcionamiento de la herramienta. Haga reparar o sustituir los dispositivos de seguridad u otros componentes defectuosos según las instrucciones. No utilice la herramienta cuando el interruptor esté defectuoso. Haga sustituir el interruptor en un Centro de Servicio DeWALT.

20 Haga reparar su herramienta en un Centro de Servicio DeWALT

Esta Herramienta Eléctrica cumple con las reglas de seguridad en vigor. Para evitar situaciones peligrosas, la reparación de Herramientas Eléctricas debe ser efectuada únicamente por un técnico competente.

Normas de seguridad adicionales para amoladoras angulares

- La amoladora angular se ha diseñado para el amolado y corte de mampostería y acero.



No corte ni amole metales de poca densidad con un contenido en magnesio superior al 80%, ya que este tipo de metales son inflamables.

- No utilice accesorios distintos de las muelas y discos de corte reforzados con fibra.
- Utilice exclusivamente muelas y discos de corte recomendados por el fabricante.
- La velocidad en vacío de la muela o del disco de corte no debe superar el valor impreso en la placa de características (hoja de instrucciones).
- No corte piezas que requieran una profundidad máxima de corte superior a la del disco de corte.

Verificación del contenido del embalaje

El paquete contiene:

- 1 Amoladora Angular
- 1 Protector

- 1 Empuñadura lateral
- 1 Llave de dos clavijas
- 1 Manual de instrucciones
- 1 Dibujo despiezado

- Compruebe si la herramienta, piezas o accesorios han sufrido algún daño durante el transporte.
- Tómese el tiempo necesario para leer y comprender este manual antes de utilizar la herramienta.

Descripción (fig. A)

Esta amoladora angular de DeWALT ha sido diseñada para realizar amolados o cortes profesionales:

- 1 Conmutador ON/OFF
- 2 Botón de bloqueo
- 3 Protector
- 4 Bloqueo del eje portamuelas
- 5 Eje portamuelas
- 6 Empuñadura lateral
- 7 Orificio superior
- 8 Orificios laterales
- 9 Cubiertas de escobillas de carbono

Seguridad eléctrica

El motor eléctrico ha sido diseñado para un solo voltaje. Compruebe siempre que el voltaje de la red corresponde al valor indicado en la placa de características.



Su herramienta DeWALT tiene doble aislamiento, conforme a la norma EN 50144; por consiguiente, no se requiere conexión a tierra.

Utilización de un cable de prolongación

En caso de que sea necesario utilizar un cable de prolongación, deberá ser un cable de prolongación aprobado, adecuado para la potencia de esta herramienta (véanse las características técnicas). Un cable de prolongación de menor calibre al necesario ocasionará una caída en el voltaje de la línea, produciendo pérdida de potencia y sobrecalentamiento.

Si utiliza un carrete de cable, desenrolle siempre el cable completamente.

Véase la tabla.

Calibre mínimo para cables de prolongación

Voltaje	Longitud total del cable de prolongación en metros			
120	0-7,6	7,7-15,2	15,3-30,4	30,5-45,7
240	0-15,2	15,3-30,4	30,5-60,9	70-91,4

Amperaje

Más de	No más de		AWG	
0-6	18	16	16	14
6-10	18	16	14	12
10-12	16	16	14	12
12-16	14	12	no se recomienda	

Montaje y ajustes



Desenchufe la herramienta antes de proceder con el montaje y los ajustes.

Montar y desmontar el protector (fig. B)

- Coloque la Amoladora angular en una mesa, con el eje portamuelas arriba.
- Monte el protector en la herramienta con los tres tornillos (10) y las arandelas dentadas.
- Gire el protector hasta obtener la posición deseada y apriete la tuerca (11).
- Para desmontar el protector, saque los tres tornillos (10).

Insertar y desmontar una muela o un disco de corte (fig. C)

- Coloque la herramienta en una mesa, con el protector arriba.
- Posicione el separador (12) correctamente en el eje portamuelas (5).
- Coloque la muela o el disco de corte en el separador.
- Atornille la brida roscada (13) en el eje portamuelas (5).
- Pulse el botón de bloqueo del eje portamuelas (4) y gire la muela o el disco de corte hasta que se bloquee en la posición correcta.
- Apriete la brida conducida (13) con la llave de dos clavijas suministrada.
- Suelte el bloqueo del eje portamuelas.
- Para desmontar la muela o el disco de corte, afloje la brida enroscada (13) con la llave de dos clavijas suministrada.

Montar un cepillo de alambre esférico

- Enrosque el cepillo de alambre esférico directamente sobre el eje portamuelas sin utilizar ni el separador ni la brida conducida.

Montar la empuñadura lateral (fig. D)

- Para esmerilar, atornille bien la empuñadura lateral (6) en uno de los orificios (8) de la carcasa, en cualquier lado.
- Para cortar, atornille bien la empuñadura el orificio superior (7).

Instrucciones para el uso



- Respete siempre las instrucciones de seguridad y las normas de aplicación.
- Asegure que todos los objetos a ser pulidos o cortados están bien sujetos.
- Sólo se debe ejercer una ligera presión sobre la herramienta. Evite ejercer presión lateral sobre la muela o el disco de corte.
- Evite sobrecargar la herramienta. Si la amoladora se calienta, hágala funcionar en vacío durante unos minutos.

Antes del uso:

- Montar el protector adecuado y un disco o una muela. No use discos o muelas excesivamente desgastados.
- Asegúrese de que el separador y la brida conducida han sido montados correctamente.
- Asegúrese de que el disco o la muela gira en el sentido indicado por las flechas en el accesorio y la herramienta.

Encender y apagar (fig. A)

El conmutador ON/OFF de esta amoladora angular está provisto de un botón de bloqueo.

- Para encender la herramienta, pulse el conmutador ON/OFF. La amoladora funcionará en modo continuo.
- Para apagar, pulse brevemente el botón de bloqueo, y suelte el conmutador ON/OFF.



No se debe encender o apagar la herramienta mientras esté cortando o puliendo.

Consulte a su proveedor si desea información más detallada sobre los accesorios apropiados.

Mantenimiento

Su herramienta eléctrica DeWALT ha sido diseñada para funcionar mucho tiempo con un mínimo de mantenimiento. El funcionamiento satisfactorio depende del buen cuidado de la herramienta y de una limpieza frecuente.

Escobillas de carbono

Las escobillas de carbono son de acceso fácil y pueden ser sustituidas sencillamente. Las escobillas deben ser verificadas después de cada 50 horas de operación.



Lubricación

Su herramienta eléctrica no requiere lubricación adicional.



Limpieza

Evite que se obturen las ranuras de ventilación y limpie el exterior con regularidad utilizando un paño suave.



Herramientas desechadas y el medio ambiente

Lleve la herramienta vieja a un Centro de Servicio DeWALT, donde será eliminada sin efectos perjudiciales para el medio ambiente.

GARANTÍA

• 30 DÍAS DE SATISFACCIÓN COMPLETA •

Si no queda totalmente satisfecho con su herramienta DEWALT, contacte con su Centro de Servicio DEWALT. Presente su reclamación, juntamente con la máquina completa, así como la factura de compra y le será presentada la mejor solución.

• UN AÑO DE SERVICIO GRATUITO •

Si necesita mantenimiento o servicio técnico para su herramienta DEWALT en los 12 meses siguientes a la compra, podrá obtenerlos gratuitamente en un Centro de Servicio DEWALT. Para ello es imprescindible presentar la prueba de compra. Incluye mano de obra y piezas para las Herramientas Eléctricas. No se incluye los accesorios.

• UN AÑO DE GARANTÍA •

Si su producto DEWALT presenta algún defecto debido a fallos de materiales o mano de obra en los 12 meses siguientes a la fecha de compra, le garantizamos la sustitución gratuita de todas las piezas defectuosas siempre y cuando:

- El producto no haya sido utilizado inadecuadamente.
- No se haya intentado su reparación por parte de una persona no autorizada.
- Se presente la prueba de compra.

Para la localización del Centro de Servicio DEWALT más cercano, consulte el dorso de este manual.

REBARBADORA DW848/DW852

Parabéns!

Escolheu uma Ferramenta Eléctrica DEWALT. Muitos anos de experiência, um desenvolvimento contínuo de produtos e o espírito de inovação fizeram da DEWALT um dos parceiros mais fiáveis para os utilizadores profissionais.

Conteúdo

Dados técnicos	pt - 1
Declaração de conformidade	pt - 2
Instruções de segurança	pt - 2
Verificação do conteúdo da embalagem	pt - 3
Descrição	pt - 4
Segurança eléctrica	pt - 4
Extensões	pt - 4
Montagem e afinação	pt - 4
Modo de emprego	pt - 5
Manutenção	pt - 5
Garantia	pt - 6

Dados técnicos

		DW848	DW852
Voltagem	V	230	230
(apenas Latino-America)	V	120	120
Potência	W	2.000	1.800
Velocidade em vazio	rpm	8.000	6.300
Diâmetro da roda	mm	180	230
Veio		M14	M14
Peso	kg	4,6	4,6

Fusíveis

Ferramentas de 120 V	15 Ampéres
Ferramentas de 230 V	10 Ampéres

Os seguintes símbolos são usados neste manual:



Indica risco de ferimentos, perda de vida ou danos à ferramenta no caso do não-cumprimento das instruções deste manual.



Indica tensão eléctrica.



Perigo de incêndio.

Declaração de conformidade



DW848/DW852

A DeWALT declara que estas ferramentas eléctricas foram concebidas em conformidade com 89/392/CEE, 89/336/CEE, 73/23/CEE, EN 50144, EN 55104, EN 55014, EN 61000-3-2 & EN 61000-3-3.

De acordo com as Directivas 86/188/CEE & 89/392/CEE da Comunidade Europeia, o nível de potência sonora, medido de acordo com a EN 50144, é:

		DW848	DW852
L_{pA} (pressão sonora)	dB(A)*	94,2	94,2
L_{WA} (potência sonora)	dB(A)	86,2	86,2

* junto ao ouvido do operador



Use protectores auditivos quando a potência sonora ultrapassar 85 dB(A).

Valor médio quadrático ponderado em frequência de aceleração conforme à EN 50144:

DW848	DW852
punho/punho lateral	punho/ punho lateral
2,94/1,64 m/s ²	2,94/1,64 m/s ²

Director Engineering and Product Development
Horst Großmann

DeWALT, Idstein, Alemanha

Instruções de segurança

Quando usar Ferramentas Eléctricas, cumpra sempre os regulamentos de segurança aplicáveis no seu país para reduzir o risco de incêndio, de choque eléctrico e de ferimentos. Leia as seguintes instruções de segurança antes de tentar utilizar este produto. Guarde estas instruções!

Instruções gerais

1 Mantenha a área de trabalho arrumada

As mesas e áreas de trabalho desarrumadas podem provocar ferimentos.

2 Cuide do ambiente da área de trabalho

Não exponha Ferramentas Eléctricas à humidade. Ilumine bem as áreas de trabalho. Não utilize Ferramentas Eléctricas em presença de líquidos ou gases inflamáveis.

3 Tenha cuidado com os choques eléctricos

Evite o contacto directo com superfícies ligadas à terra (p.ex. tubos, radiadores, fogões, frigoríficos).

Nos casos de serviço sob condições extremas (tais como humidade elevada, execução de soldadura, etc.) a segurança eléctrica pode ser aumentada intercalando-se um transformador de separação ou um disjuntor de corrente de defeito (FI).

4 Mantenha as crianças afastadas

Não deixe as crianças tocarem na ferramenta nem no cabo de extensão. As crianças com menos de 16 anos de idade devem ser vigiadas.

5 Cabos para uso exterior

Quando as ferramentas se utilizarem no exterior, empregue sempre cabos previstos para uso no exterior.

6 Guarde as ferramentas que não estiverem a ser utilizadas

Quando não forem utilizadas as Ferramentas Eléctricas, estas devem guardadas num sítio seco, fechado à chave e fora do alcance das crianças.

7 Vista-se de maneira apropriada

Não use vestuário largo nem jóias porque podem prender-se numa peça móvel. Quando se trabalha no exterior, é de aconselhar o uso de luvas de borracha e de calçado antiderrapante. Cubra o cabelo se tiver cabelo comprido.

8 Utilize óculos de protecção

Utilize também uma máscara no caso de os trabalhos produzirem pó.

9 Tenha cuidado com o ruído

Tome medidas de protecção apropriadas se o nível do ruído exceder 85 dB(A).

10 Segure firmemente as peças de trabalho

Utilize grampos ou um torno para segurar as peças a trabalhar. É mais seguro e permite manter as duas mãos livres para trabalhar.

11 Verifique a sua posição

Mantenha sempre o equilíbrio.

12 Evite arranques acidentais

Não transporte uma ferramenta ligada à rede com o dedo colocado no interruptor. Verifique se o interruptor está desligado ao ligar a ferramenta à rede.

13 Esteja atento

Dê atenção ao que vai fazendo. Trabalhe com precaução. Não utilize ferramentas quando estiver cansado.

14 Desligue a ferramenta

Desligue e espere até a ferramenta parar completamente antes de a deixar sem vigilância. Tire a ficha da tomada quando a ferramenta não estiver a ser utilizada, antes de proceder à manutenção ou à substituição de acessórios.

15 Tire as chaves de aperto

Verifique sempre se as chaves de aperto foram retiradas da ferramenta antes de a utilizar.

16 Empregue as ferramentas apropriadas

Neste manual indicam-se as aplicações da ferramenta. Não force pequenas ferramentas ou acessórios para fazer o trabalho duma ferramenta forte. A ferramenta trabalhará melhor e de uma maneira mais segura se for utilizada para o efeito indicado.

AVISO O uso de qualquer acessório ou o uso da própria ferramenta, além do que é recomendado neste manual de instruções pode dar origem a risco de ferimento.

17 Não force o cabo eléctrico

Nunca transporte a ferramenta pelo cabo e não puxe pelo cabo para tirar a ficha da tomada. Proteja o cabo contra o calor e evite o contacto com óleo e objectos cortantes.

18 Cuide das suas ferramentas com atenção

Para uma maior rentabilidade, mantenha as ferramentas sempre afinadas e limpas. Cumpra as instruções relativas à manutenção e substituição dos acessórios. Verifique regularmente os cabos da ferramenta e, no caso de estes estarem danificados, mande-os consertar a um Centro de Assistência Técnica DeWALT. Verifique periodicamente os cabos de extensão e substitua-os se estiverem danificados. Mantenha os comandos secos, limpos e sem óleo ou gordura.

19 Verifique as peças danificadas

Antes de utilizar a ferramenta, verifique

cuidadosamente se esta apresenta sinais de danos de modo a assegurar um bom funcionamento e a obtenção do resultado desejado.

Verifique o bom alinhamento e fixação das peças móveis e confirme a ausência de ruptura das peças. Verifique ainda se a montagem foi bem feita ou se existe qualquer outra condição que possa impedir que a ferramenta funcione bem. Mande consertar ou substituir os dispositivos de protecção ou outras peças danificadas conforme as instruções.

Não utilize a ferramenta se o interruptor não estiver a funcionar. Mande substituir o interruptor num Centro de Assistência Técnica DeWALT.

20 Mande consertar a sua ferramenta por um Centro de Assistência Técnica DeWALT.

Esta Ferramenta Eléctrica está conforme às regulamentações de segurança que lhe dizem respeito. Para evitar qualquer perigo, a reparação de ferramentas eléctricas deverá estar fica exclusivamente a cargo de técnicos qualificados.

Normas de segurança adicionais para Discos de Rebarbar

- O seu Disco de Rebarbar foi concebido para rebarbar e cortar alvenaria e aço.



Não corte nem rebarbe metais leves com conteúdo de magnésio superior a 80% pois este tipo de metais é inflamável.

- Não utilize outros acessórios que não sejam os discos de rebarbar reforçados com fibra e os discos de corte.
- Utilize apenas os discos de rebarbar e os discos de corte recomendados pelo fabricante.
- A velocidade sem carga do disco de rebarbar ou disco de corte não deve exceder o valor impresso na placa de identificação (folha de instruções).
- Não corte peças de trabalho que exijam uma profundidade máxima de corte que exceda a do disco de corte.

Verificação do conteúdo da embalagem

A embalagem contém:

- 1 Rebarbadora

- 1 Resguardo
- 1 Punho lateral
- 1 Chave de dois pinos
- 1 Manual de instruções
- 1 Vista dos componentes destacados

- Verifique se a ferramenta, as peças ou os acessórios apresentam sinais de danos que possam ter ocorrido durante o transporte.
- Antes de utilizar a ferramenta, dedique o tempo necessário à leitura e compreensão deste manual.

Descrição (fig. A)

A sua Rebarbadora DeWALT foi concebida para aplicações profissionais de rebarbar e de corte:

- 1 Interruptor de Ligar/Desligar “ON/OFF”
- 2 Bloqueio do interruptor
- 3 Resguardo
- 4 Botão de travamento do veio
- 5 Veio
- 6 Punho lateral
- 7 Orifício superior
- 8 Orifícios laterais
- 9 Coberturas das escovas de carvão

Segurança eléctrica

O motor eléctrico foi concebido para uma única tensão. Verifique sempre se a tensão da rede corresponde à voltagem indicada na placa de identificação.



A sua ferramenta DeWALT tem duplo isolamento em conformidade com o estipulado na norma EN 50144, não sendo, por isso, necessária uma ligação à terra.

Extensões

Se fôr necessário um fio de extensão, use um cabo especial, conveniente para a corrente desta ferramenta (Veja os dados técnicos). Um cabo com uma amperagem demasiada baixa causará uma redução na voltagem de linha, resultando em perda de energia e sobreaquecimento.

No caso de se usar uma bobina, desenrole o cabo todo.

Use também a tabela em baixo.

Medições mínimas para extensões

Voltagem	Comprimento total de cabo (m)			
120	0-7,6	7,7-15,2	15,3-30,4	30,5-45,7
240	0-15,2	15,3-30,4	30,5-60,9	70-91,4

Valor nominal de amperes

Mais que	Não mais que	AWG		
0-6	18	16	16	14
6-10	18	16	14	12
10-12	16	16	14	12
12-16	14	12	não se recomende	

Montagem e afinação



Antes da montagem de acessórios e da afinação retire sempre a ficha da tomada.

Montagem e remoção do resguardo (fig. B)

- Coloque a Rebarbadora sobre uma mesa, com o veio para cima.
- Monte o resguardo na ferramenta utilizando os três parafusos (10) com anilhas de estrela.
- Rode o resguardo para a posição requerida e aperte a porca (11).
- Para remover o resguardo, desaperte os três parafusos (10).

Instalação e remoção de um disco de corte ou de rebarbar (fig. C)

- Coloque a ferramenta sobre uma mesa, com o resguardo para cima.
- Instale o espaçador (12) correctamente no veio (5).
- Coloque o disco no espaçador.
- Aparafuse a flange de rosca (13) no veio (5).
- Pressione o fecho de veio (4) e rode o disco até prender na posição correcta.
- Aperte a flange exterior (13) com a chave de dois pinos que vem incluída.
- Solte o botão de bloqueio do veio.
- Para retirar o disco, desaperte a flange exterior (13) com a chave de dois pinos.

Instalação de uma catrabucha

- Aparafuse a catrabucha de arame directamente ao veio sem utilizar o espaçador e a flange exterior.

Instalação do punho lateral (fig. D)

- Para operações de rectificação, aparafuse bem o punho lateral (6) num dos orifícios (8) nos dois lados da caixa de engrenagens.
- Para cortar, aparafuse bem o punho lateral (6) no orifício superior (7).

Modo de emprego



- Cumpra sempre as instruções de segurança e os regulamentos aplicáveis.
- Certifique-se que todos os materiais a serem rectificadados ou cortados estão devidamente presos.
- Aplique apenas uma ligeira pressão na ferramenta. Não exerça pressão lateral na roda de esmeril ou no disco de corte.
- Evite sobrecargas. Se a ferramenta aquecer, deixe-a trabalhar em vazio durante alguns minutos.

Antes de pôr em funcionamento:

- Instale o devido resguardo e disco. Não utilize discos com um nível de desgaste excessivo.
- Certifique-se que o espaçador e a flange exterior estão devidamente instalados.
- Certifique-se que o disco roda na direcção das setas indicadas no acessório ou na ferramenta.

Ligar e Desligar (fig.A)

O interruptor ON/OFF da sua rebarbadora está equipado com um dispositivo de bloqueio para serviço contínuo.

- Para pôr a rebarbadora em movimento carregue o interruptor ON/OFF. A rebarbadora fica agora em serviço contínuo.
- Para desligá-la apoie ligeiramente no interruptor para bloqueio e desligue o interruptor ON/OFF.



Não ligue ou desligue a ferramenta quando estiver com carga.

Para mais informações sobre os acessórios apropriados, consulte o seu Revendedor autorizado.

Manutenção

A sua Ferramenta Eléctrica DEWALT foi concebida para funcionar durante muito tempo com um mínimo de manutenção. O funcionamento

satisfatório contínuo depende de bons cuidados e limpeza regular da ferramenta.

Escovas de carvão

As escovas de carvão são bastante acessíveis e podem ser substituídas facilmente. Deixe verificar as escovas após cada 50 horas de funcionamento.



Lubrificação

A sua Ferramenta Eléctrica não precisa de lubrificação suplementar.



Limpeza

ConsERVE livres as aberturas de ventilação e limpe regularmente o corpo da máquina utilizando um pano macio.



Ferramentas indesejadas e o ambiente

Leve a sua ferramenta velha a um Centro de Assistência Técnica DEWALT onde ela será eliminada de um modo seguro para o ambiente.

GARANTIA

• 30 DIAS DE SATISFAÇÃO COMPLETA •

Se não estiver completamente satisfeito com a sua ferramenta DeWALT, contacte um Centro de Assistência Técnica DeWALT. Apresente a sua reclamação, juntamente com a máquina completa, bem como a factura de compra e ser-lhe á apresentada a melhor solução.

• UM ANO DE MANUTENÇÃO GRATUITA •

Se necessitar de manutenção para a sua ferramenta DeWALT, durante os 12 meses após a compra, entregue-a, sem encargos, num Centro de Assistência Técnica DeWALT. Deve apresentar uma prova da compra.

• UM ANO DE GARANTIA •

Se o seu produto DeWALT se avariar por defeito de montagem ou de material, durante os 12 meses a partir da data da compra, garantimos a substituição de todas as peças defeituosas sem encargos desde que:

- O produto não tenha sido mal usado.
- Eventuais reparações não tenham sido efectuadas por pessoas estranhas aos Centro de Assistência Técnica DeWALT.
- Se apresente prova da data de compra.

Para a localização do Centro de Assistência Técnica DeWALT mais próximo, queira consultar a parte de trás do presente manual.

Belgique et Luxembourg België en Luxemburg	DEWALT Weihoek 1, Nossegem 1930 Zaventem-Zuid	Tel: 02 719 07 12 Fax: 02 721 40 45 Service fax: 02 719 08 10
Danmark	DEWALT Højrevang 26 B 3450 Allerød	Tlf: 70 20 15 10 Fax: 48 14 13 99
Deutschland	DEWALT Richard-Klinger-Straße, Postfach 1202 65510 Idstein	Tel: 06 12 62 16 Fax: 061 26 21 24 40
Ελλάς	DEWALT Λεωφ Συγγρού 154 176 71 Καλλιθέα Αθήνα	Τηλ: 019 24 28 70 Fax: 019 24 28 69 Service: 019 24 28 76-7
España	DEWALT Ctra de Acceso a Roda de Barà, km 0,7 43883 Roda de Barà, Tarragona	Tel: 977 29 71 00 Fax: 977 29 71 38 Fax: 977 29 71 19
France	DEWALT Le Paisy BP 21 69571 Dardilly Cedex	Tel: 72 20 39 20 Tlx: 30 62 24F Fax: 72 20 39 00
Helvetia Schweiz	DEWALT/Rofo AG Warpel 3186 Düringen	Tel: 037 43 40 60 Fax: 037 43 40 61
Ireland	DEWALT Calpe House Rock Hill Black Rock Co. Dublin	Tel: 012 78 18 00 Fax: 012 78 18 11
Italia	DEWALT Viale Elvezia 2 20052 Monza (Mi)	Tel: 03 92 38 72 04 Fax: 03 92 38 75 93
Nederland	DEWALT Florijnstraat 10 4879 AH Etten-Leur	Tel: 07 65 08 22 01 Fax: 07 65 03 81 84
Norge	DEWALT Strømsveien 344 1081 Oslo	Tel: 22 99 90 00 Fax: 22 99 90 01
Österreich	DEWALT Werkzeugevertriebs GmbH Erlaaerstraße 165 Postfach 320, 1231 Wien	Tel: 022 26 61 16 Tlx: 13228 Black A Fax: 022 26 61 16 14
Portugal	DEWALT Rua Egas Moniz 173 Apartado 19, S. João do Estoril 2768 Estoril, Codex	Tel: 468 7513/7613 Tlx: 16607 Bladec P Fax: 466 38 41
Suomi	DEWALT Rälssitie 7 C 01510 Vantaa	Puh: +35 89 825 45 40 Fax: +35 89 825 45 444
	Fräisevägen 7 C 01510 Vanda	Tel: +35 89 825 45 40 Fax: +35 89 825 45 444
Sverige	DEWALT Box 603 421 26 Västra Frölunda Besöksadr. Ekonomivägen 11	Tel: 031 68 61 00 Fax: 031 68 60 08
United Kingdom	DEWALT 210 Bath Road Slough Berks SL1 3YD	Tel: 017 53 57 42 77 Fax: 017 53 52 13 12