

**DEWALT®**

**[www.DEWALT.com](http://www.DEWALT.com)**

**DWE6421**  
**DWE6423**

---

<b>English (original instructions)</b>	<b>3</b>
<b>Français</b> ( <i>traduction de la notice d'instructions originale</i> )	<b>9</b>
<b>العربية:</b> (مترجم عن التعليمات الأصلية)	<b>16</b>

---

Figure 1  
شکل 1

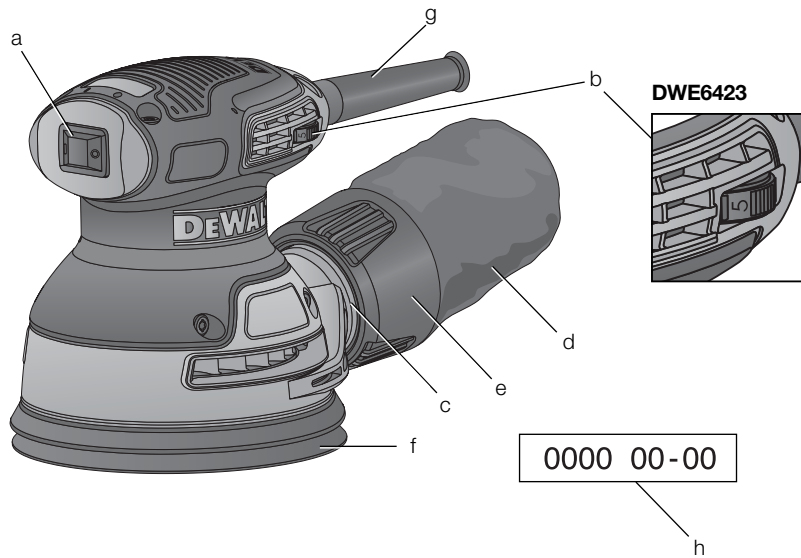


Figure 2  
شکل 2

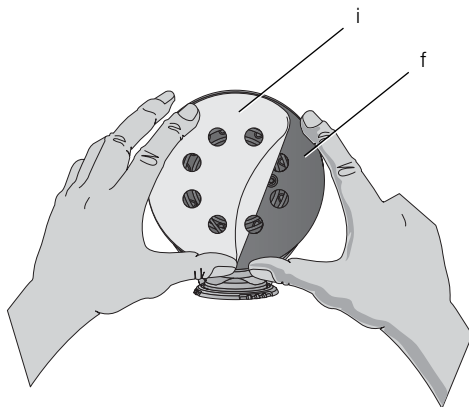


Figure 3  
شکل 3

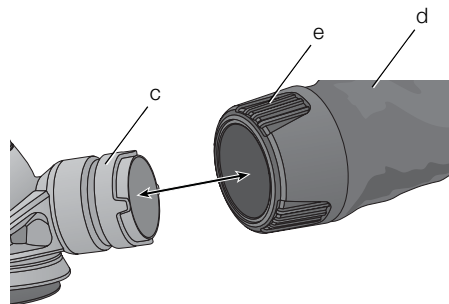


Figure 4  
شکل 4

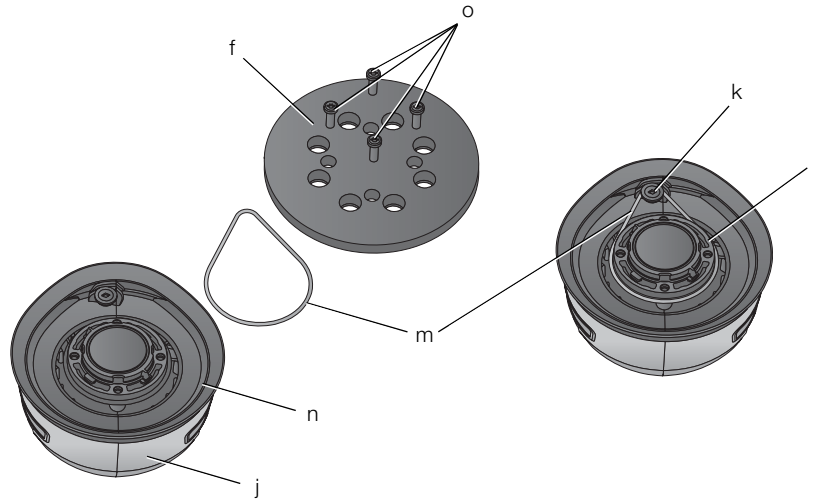
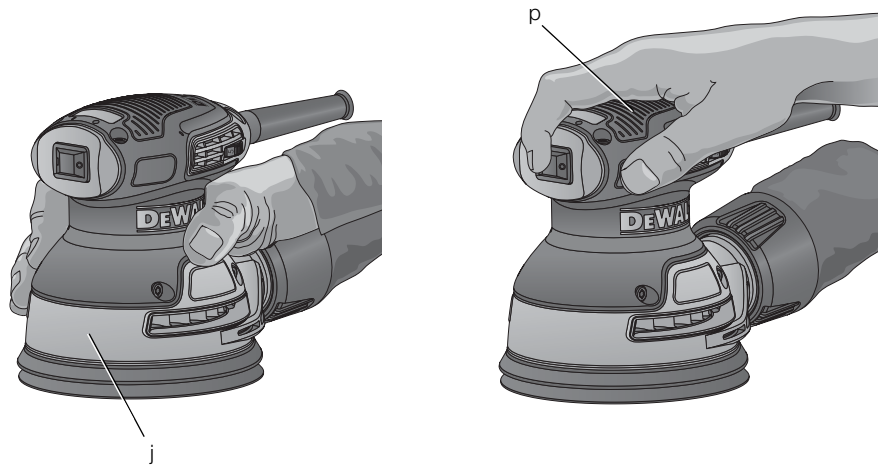


Figure 5  
شکل 5



# 125 mm (5") PALM GRIP SANDER

## DWE6421, DWE6423

### Congratulations!


You have chosen a DEWALT tool. Years of experience, thorough product development and innovation make DEWALT one of the most reliable partners for professional power tool users.


### Technical Data


		DWE6421 ZA	DWE6423 IN/B5
Voltage	V <sub>AC</sub>	230	220–240
Type		1	1
Frequency	Hz	50	50/60
Power input	W	280	280
No-load speed	min <sup>-1</sup>	350–400	350–400
Pad diameter	mm	125	125
Orbits	min <sup>-1</sup>	12000	8000–12000
Orbit ø	mm	2.4	2.4
Weight	kg	1.3	1.3

### Definitions: Safety Guidelines


The definitions below describe the level of severity for each signal word. Please read the manual and pay attention to these symbols.

 **DANGER:** Indicates an imminently hazardous situation which, if not avoided, **will** result in **death or serious injury**.

 **WARNING:** Indicates a potentially hazardous situation which, if not avoided, **could** result in **death or serious injury**.

 **CAUTION:** Indicates a potentially hazardous situation which, if not avoided, **may** result in **minor or moderate injury**.

**NOTICE:** Indicates a practice **not related to personal injury** which, if not avoided, **may** result in **property damage**.

 Denotes risk of electric shock.

 Denotes risk of fire.



**WARNING:** To reduce the risk of injury, read the instruction manual.

### General Power Tool Safety Warnings



**WARNING! Read all safety warnings and all instructions.** Failure to follow the warnings and instructions may result in electric shock, fire and/or serious injury.

#### SAVE ALL WARNINGS AND INSTRUCTIONS FOR FUTURE REFERENCE

The term "power tool" in the warnings refers to your mains-operated (corded) power tool or battery-operated (cordless) power tool.

#### 1) WORK AREA SAFETY

- Keep work area clean and well lit.** Cluttered or dark areas invite accidents.
- Do not operate power tools in explosive atmospheres, such as in the presence of flammable liquids, gases or dust.** Power tools create sparks which may ignite the dust or fumes.
- Keep children and bystanders away while operating a power tool.** Distractions can cause you to lose control.

#### 2) ELECTRICAL SAFETY

- Power tool plugs must match the outlet. Never modify the plug in any way. Do not use any adapter plugs with earthed (grounded) power tools.** Unmodified plugs and matching outlets will reduce risk of electric shock.
- Avoid body contact with earthed or grounded surfaces such as pipes, radiators, ranges and refrigerators.** There is an increased risk of electric shock if your body is earthed or grounded.
- Do not expose power tools to rain or wet conditions.** Water entering a power tool will increase the risk of electric shock.
- Do not abuse the cord. Never use the cord for carrying, pulling or unplugging the power tool. Keep cord away from heat, oil, sharp edges or moving parts.** Damaged or entangled cords increase the risk of electric shock.
- When operating a power tool outdoors, use an extension cord suitable for outdoor use.** Use of a cord suitable for outdoor use reduces the risk of electric shock.

## ENGLISH

- f) **If operating a power tool in a damp location is unavoidable, use a residual current device (RCD) protected supply.** Use of an RCD reduces the risk of electric shock.

### 3) PERSONAL SAFETY

- a) **Stay alert, watch what you are doing and use common sense when operating a power tool. Do not use a power tool while you are tired or under the influence of drugs, alcohol or medication.** A moment of inattention while operating power tools may result in serious personal injury.
- b) **Use personal protective equipment. Always wear eye protection.** Protective equipment such as dust mask, non-skid safety shoes, hard hat, or hearing protection used for appropriate conditions will reduce personal injuries.
- c) **Prevent unintentional starting. Ensure the switch is in the off position before connecting to power source and/or battery pack, picking up or carrying the tool.** Carrying power tools with your finger on the switch or energising power tools that have the switch on invites accidents.
- d) **Remove any adjusting key or wrench before turning the power tool on.** A wrench or a key left attached to a rotating part of the power tool may result in personal injury.
- e) **Do not overreach. Keep proper footing and balance at all times.** This enables better control of the power tool in unexpected situations.
- f) **Dress properly. Do not wear loose clothing or jewellery. Keep your hair, clothing and gloves away from moving parts.** Loose clothes, jewellery or long hair can be caught in moving parts.
- g) **If devices are provided for the connection of dust extraction and collection facilities, ensure these are connected and properly used.** Use of dust collection can reduce dust-related hazards.
- c) **Disconnect the plug from the power source and/or the battery pack from the power tool before making any adjustments, changing accessories, or storing power tools.** Such preventive safety measures reduce the risk of starting the power tool accidentally.
- d) **Store idle power tools out of the reach of children and do not allow persons unfamiliar with the power tool or these instructions to operate the power tool.** Power tools are dangerous in the hands of untrained users.
- e) **Maintain power tools. Check for misalignment or binding of moving parts, breakage of parts and any other condition that may affect the power tool's operation. If damaged, have the power tool repaired before use.** Many accidents are caused by poorly maintained power tools.
- f) **Keep cutting tools sharp and clean.** Properly maintained cutting tools with sharp cutting edges are less likely to bind and are easier to control.
- g) **Use the power tool, accessories and tool bits etc., in accordance with these instructions taking into account the working conditions and the work to be performed.** Use of the power tool for operations different from those intended could result in a hazardous situation.

### 5) SERVICE

- a) **Have your power tool serviced by a qualified repair person using only identical replacement parts.** This will ensure that the safety of the power tool is maintained.

## Additional Specific Safety Rules for Sanders



**WARNING:** Contact with or inhalation of dusts arising from sanding applications may endanger the health of the operator and possible bystanders. Wear a dust mask specifically designed for protection against toxic dust and fumes and ensure that persons within or entering the work area are also protected.



**WARNING:** Use this tool in a well-ventilated area when sanding ferrous metals. Do not operate the tool near flammable liquids, gases or dust. Sparks or hot particles from sanding or arcing motor brushes may ignite combustible materials.



**WARNING:** We recommend the use of a residual current device with a residual current rating of 30mA or less.

## Sanding Paint



**WARNING:** Observe the applicable regulations for sanding paint. Pay special attention to the following:

- Whenever possible, use a vacuum extractor for dust collection.
- Take special care when sanding paint which is possibly lead based:
  - Do not let children or pregnant women enter the work area.
  - All persons entering the work area should wear a mask specially designed for protection against lead paint dust and fumes.
  - Do not eat, drink or smoke in the work area.
- Dispose of dust particles and any other removal debris safely.

## Residual Risks

In spite of the application of the relevant safety regulations and the implementation of safety devices, certain residual risks cannot be avoided. These are:

- Impairment of hearing.
- Risk of personal injury due flying particles.
- Risk of burns due to accessories becoming hot during operation.
- Risk of personal injury due to prolonged use.

## Markings on Tool

The following pictograms are shown on the tool:



Read instruction manual before use.

### DATE CODE POSITION (FIG. 1)

The date code (h), which also includes the year of manufacture, is printed into the housing.

Example:

2015 XX XX

Year of Manufacture

## Package Contents

The package contains:

- 1 Palm grip sander
- 1 Dust bag

1 Sanding disc

1 Instruction manual

- Check for damage to the tool, parts or accessories which may have occurred during transport.
- Take the time to thoroughly read and understand this manual prior to operation.

## Description (fig. 1)



**WARNING:** Never modify the power tool or any part of it. Damage or personal injury could result.

- a. On/off switch
- b. Electronic speed control dial (DWE6423)
- c. Dust extraction outlet
- d. Dust bag
- e. Dust bag collar
- f. Sanding pad
- g. Strain relief
- h. Date code

## INTENDED USE

Your sander has been designed for professional sanding applications.

**DO NOT** use under wet conditions or in presence of flammable liquids or gases.

These sanders are professional power tools.

**DO NOT** let children come into contact with the tool. Supervision is required when inexperienced operators use this tool.

- This product is not intended for use by persons (including children) suffering from diminished physical, sensory or mental abilities; lack of experience, knowledge or skills unless they are supervised by a person responsible for their safety. Children should never be left alone with this product.

## Electrical Safety

The electric motor has been designed for one voltage only. Always check that the power supply corresponds to the voltage on the rating plate.



Your DEWALT tool is double insulated in accordance with EN 60745; therefore no earth wire is required.

If the supply cord is damaged, it must be replaced by a specially prepared cord available through the DEWALT service organisation.

## Mains Plug Replacement (Middle East and Africa)

If a new mains plug needs to be fitted:

- Safely dispose of the old plug.
- Connect the brown lead to the live terminal in the plug.
- Connect the blue lead to the neutral terminal.



**WARNING:** No connection is to be made to the earth terminal.

Follow the fitting instructions supplied with good quality plugs. Recommended fuse: 13 A.

## Using an Extension Cable

If an extension cable is required, use an approved 3-core extension cable suitable for the power input of this tool (see **Technical Data**). The minimum conductor size is 1.5 mm<sup>2</sup>; the maximum length is 30 m.

When using a cable reel, always unwind the cable completely.

## ASSEMBLY AND ADJUSTMENTS



**WARNING:** To reduce the risk of injury, turn unit off and disconnect machine from power source before installing and removing accessories, before adjusting or changing set-ups or when making repairs. Be sure the trigger switch is in the OFF position. An accidental start-up can cause injury.

## Fitting Sanding Discs (fig. 2)

The tool uses 125 mm (5") hook and loop sanding discs with an 8 hole dust extraction pattern.

1. Place the tool on a table, sanding pad (f) up.
2. Place the sanding disc (i) directly on top of the sanding pad.
3. Hold the sanding pad with one hand and align the dust extraction holes.
4. Press the disc firmly onto the sanding pad.

## Setting the Electronic Speed Control Dial (fig. 1)

DWE6423

The speed is infinitely variable from 8,000–12,000 min<sup>-1</sup> using the electronic speed control dial (b).

Turn the electronic speed control dial to the required level. The correct setting, however, is a matter of experience.

Generally, harder materials require a higher setting.

## Dust Extraction (fig. 3, 4)



**WARNING:** Since woodworking with a sander produces dust, always install a dust bag designed in compliance with the applicable directives regarding dust emission.



**WARNING:** Do not use a dust bag or vacuum extractor without proper spark protection when sanding metal.

Your sander has two dust extraction methods: a built-in outlet (c) which allows either the supplied dust bag (d) or a shop vacuum system to be connected; and a dust skirt (n, fig. 4). The built-in outlet utilizes the DEWALT airlock connection making it compatible with the DEWALT dust extractor and airlock accessory DWV9000.

### TO ATTACH THE DUST BAG

1. While holding the sander, fit the dust bag collar (e) to the outlet (c) as shown in figure 3.
2. Turn the collar (e) clockwise to lock the dust bag (d) in place.

### TO EMPTY THE DUST BAG

**NOTE:** Be sure to wear approved eye protection and approved dust mask when performing this procedure.

For efficient dust extraction, empty the dust collector when it is about one third full.

1. While holding the sander, turn the collar (e) anticlockwise to unlock the dust bag (d).
2. Remove dust bag from the sander and gently shake or tap the dust bag to empty.
3. Reattach the dust bag back onto the outlet and lock into place by turning the dust bag collar clockwise.

You may notice that all the dust will not come free from the bag. This will not affect sanding performance but will reduce the sander's dust collection efficiency. To restore your sander's dust collection efficiency, depress the spring inside the dust bag when you are emptying it and tap it on the side of the waste bin or dust receptacle.



## OPERATION

### Instructions for Use



**WARNING:** Always observe the safety instructions and applicable regulations.



**WARNING:** To reduce the risk of serious personal injury, turn tool off and disconnect tool from power source before making any adjustments or removing/installing attachments or accessories.



**WARNING:**

- Make sure all materials to be sanded are well secured.
- Apply only a gentle pressure to the workpiece. Excessive pressure does not improve the sanding effect, but only results in an increased load on the machine and causes the abrasive to tear.
- Avoid overloading.



**WARNING:** Do not sand magnesium!

**NOTICE:** If you wrap the cord around the tool when you store it, leave a generous loop of cord such that the strain relief (g, fig. 1) does not bend. This helps prevent premature cord failure.

### Proper Hand Position (fig. 5)



**WARNING:** To reduce the risk of serious personal injury, **ALWAYS** use proper hand position as shown.



**WARNING:** To reduce the risk of serious personal injury, **ALWAYS** hold securely in anticipation of a sudden reaction.

Proper hand position requires either one hand on the sander body (j) or one hand on the main grip (p) as shown.

### Switching On and Off (fig. 1)

#### DWE6421

To switch the tool on, set the on/off switch to position I.

To switch the tool off, set the on/off switch to position O.

#### DWE6423

Set the sanding speed using the electronic speed control dial (b)

To switch the tool on, set the on/off switch to position I.

To switch the tool off, set the on/off switch to position O.

### Sanding

Start with the coarsest grit size.

As the tool produces small abrasion marks in all directions, it is not necessary to sand with the grain.

Check your work at short intervals.

Always switch off the tool when work is finished and before unplugging.

### MAINTENANCE

Your DEWALT power tool has been designed to operate over a long period of time with a minimum of maintenance. Continuous satisfactory operation depends upon proper tool care and regular cleaning.



**WARNING:** To reduce the risk of injury, turn unit off and disconnect machine from power source before installing and removing accessories, before adjusting or changing set-ups or when making repairs. Be sure the trigger switch is in the OFF position. An accidental start-up can cause injury.

### Replacing the Sanding Pad and the Speed Limiter Belt (fig. 4)

Your sander is equipped with a replaceable belt (m) which is located between the pad (f) and the sander body (j). It is designed to control the pad speed while the unit is off the work surface. The belt and the sanding pad (f) are designed to be consumable parts and will occasionally need to be replaced. The sanding pad needs replacement when signs of wear become evident. Replacement of the belt is necessary when the pad speed increases very dramatically when the unit is lifted from the work surface. These parts are available at extra cost from your local dealer or authorised DEWALT service centre.

1. Holding the platen firmly, remove the four screws (o) from the bottom of the pad.
2. Remove the pad (f).

## ENGLISH

3. Replace worn or damaged belt (m) by wrapping it around the shoulder screw (k) and bearing retainer (l) as shown in figure 4.
4. Reinstall pad (replace with new pad if necessary). Replace the four screws (o). Be careful not to over-tighten screws.



### Lubrication

Your power tool requires no additional lubrication.



### Cleaning

**NOTE:** After the tool is used in metal sanding applications without dust bag, clean the tool using low-pressure air.



**WARNING:** Blow dirt and dust out of the main housing with dry air as often as dirt is seen collecting in and around the air vents. Wear approved eye protection and approved dust mask when performing this procedure.



**WARNING:** Never use solvents or other harsh chemicals for cleaning the non-metallic parts of the tool. These chemicals may weaken the materials used in these parts. Use a cloth dampened only with water and mild soap. Never let any liquid get inside the tool; never immerse any part of the tool into a liquid.

### Optional Accessories



**WARNING:** Since accessories, other than those offered by DEWALT, have not been tested with this product, use of such accessories with this tool could be hazardous. To reduce the risk of injury, only DEWALT recommended accessories should be used with this product.

Consult your dealer for further information on the appropriate accessories.

### Protecting the Environment



Separate collection. This product must not be disposed of with normal household waste.

Should you find one day that your DEWALT product needs replacement, or if it is of no further use to you, do not dispose of it with household waste. Make this product available for separate collection.



Separate collection of used products and packaging allows materials to be recycled and used again. Re-use of recycled materials helps prevent environmental pollution and reduces the demand for raw materials.

Local regulations may provide for separate collection of electrical products from the household, at municipal waste sites or by the retailer when you purchase a new product.

DEWALT provides a facility for the collection and recycling of DEWALT products once they have reached the end of their working life. To take advantage of this service please return your product to any authorised repair agent who will collect them on our behalf.

You can check the location of your nearest authorised repair agent by contacting your local DEWALT office at the address indicated in this manual. Alternatively, a list of authorised DEWALT repair agents and full details of our after-sales service and contacts are available on the Internet at: **[www.2helpU.com](http://www.2helpU.com)**.

# 125 mm (5") PONCEUSE A MAIN

## DWE6421, DWE6423

### Félicitations !

Vous avez choisi un outil DEWALT. Des années d'expertise dans le développement et l'innovation de ses produits ont fait de DEWALT, le partenaire privilégié des utilisateurs professionnels d'outils électriques.

### Caractéristiques techniques

		DWE6421 ZA	DWE6423 IN/B5
Tension	V <sub>AC</sub>	230	220–240
Type		1	1
Fréquence	Hz	50	50/60
Puissance consommée	W	280	280
Vitesse à vide	min <sup>-1</sup>	350–400	350–400
Diamètre du patin	mm	125	125
Vibrations	min <sup>-1</sup>	12000	8000–12000
Orbite ø	mm	2.4	2.4
Poids	kg	1.3	1.3

### Définitions : consignes de sécurité

Les définitions ci-après décrivent le degré de risques associé à chaque balise. Lire soigneusement la notice d'instructions et respecter ces symboles.



**DANGER** : indique une situation de danger imminent qui, si rien n'est fait pour l'éviter, **aura** comme conséquences la **mort ou des dommages corporels graves**.



**AVERTISSEMENT** : indique une situation de danger potentiel qui, si rien n'est fait pour l'éviter, **pourra** avoir comme conséquences la **mort ou des dommages corporels graves**.



**ATTENTION** : indique une situation de danger potentiel qui, si rien n'est fait pour l'éviter, **pourrait** avoir comme conséquences des **dommages corporels mineurs ou moindres**.

**AVIS** : indique une pratique ne **posant aucun risque de dommages corporels**, mais qui par contre, si rien n'est fait pour l'éviter, **pourrait** poser des **risques de dommages matériels**.



Indique des risques de décharges électriques.



Indique des risques d'incendie.



**AVERTISSEMENT** : pour réduire tout risque de dommages corporels, lire la notice d'instructions

### Consignes de sécurité générales propres aux outils électriques



**AVERTISSEMENT ! lire toutes les directives et consignes de sécurité.** Tout manquement aux directives et consignes ci-incluses comporte des risques de décharges électriques, d'incendie et/ou de dommages corporels graves.

#### CONSERVER TOUTES CES DIRECTIVES ET CONSIGNES À TITRE DE RÉFÉRENCE

Le terme « outil électrique » mentionné dans les avertissements ci-après se rapporte aux outils alimentés sur secteur (avec fil) ou par piles (sans fil).

#### 1) SÉCURITÉ – AIRE DE TRAVAIL

- Maintenir l'aire de travail propre et bien éclairée.** Les lieux sombres ou encombrés sont propices aux accidents.
- Ne pas utiliser un outil électrique dans un milieu déflagrant, comme en présence de liquides, gaz ou poussières inflammables.** Les outils électriques peuvent produire des étincelles qui pourraient enflammer toute émanation ou poussière ambiante.
- Maintenir à l'écart les enfants, ou toute autre personne, lors de l'utilisation d'un outil électrique.** Toute distraction pourrait faire perdre la maîtrise de l'appareil.

#### 2) SÉCURITÉ – ÉLECTRICITÉ

- La fiche électrique de l'outil doit correspondre à la prise murale. Ne modifier la fiche en aucune façon. Ne pas utiliser de fiche d'adaptation avec un outil électrique mis à la terre (masse).** L'utilisation de fiches d'origine et de prises appropriées réduira tout risque de décharges électriques.
- Éviter tout contact corporel avec des éléments mis à la terre comme : tuyaux,**

**radiateurs, cuisinières ou réfrigérateurs.**

Les risques de décharges électriques augmentent lorsque le corps est mis à la terre.

- c) **Ne pas exposer les outils électriques à la pluie ou à l'humidité.** Tout contact d'un outil électrique avec un liquide augmente les risques de décharges électriques.
- d) **Ne pas utiliser le cordon de façon abusive. Ne jamais utiliser le cordon pour transporter, tirer ou débrancher un outil électrique. Protéger le cordon de toute source de chaleur, de l'huile, et de tout bord tranchant ou pièce mobile.** Les cordons endommagés ou emmêlés augmentent les risques de décharges électriques.
- e) **En cas d'utilisation d'un outil électrique à l'extérieur, utiliser systématiquement une rallonge conçue à cet effet.** Cela diminuera tout risque de décharges électriques.
- f) **Si on ne peut éviter d'utiliser un outil électrique en milieu humide, utiliser un circuit protégé par un dispositif de courant résiduel (RCD).** Cela réduira tout risque de décharges électriques.

**3) SÉCURITÉ INDIVIDUELLE**

- a) **Rester systématiquement vigilant et faire preuve de jugement lorsqu'on utilise un outil électrique. Ne pas utiliser d'outil électrique en cas de fatigue ou sous l'influence de drogues, d'alcool ou de médicaments.** Tout moment d'inattention pendant l'utilisation d'un outil électrique comporte des risques de dommages corporels graves.
- b) **Porter un équipement de protection individuel. Porter systématiquement un dispositif de protection oculaire.** Le fait de porter un masque anti-poussières, des chaussures antidérapantes, un casque de sécurité ou un dispositif de protection auditive, lorsque la situation le requiert, réduira les risques de dommages corporels.
- c) **Prévenir tout démarrage accidentel. S'assurer que l'interrupteur est en position d'arrêt avant de brancher l'outil sur le secteur et/ou à la batterie, ou de le ramasser ou le transporter.** Transporter un outil le doigt sur l'interrupteur ou brancher un outil électrique alors que l'interrupteur est en position de marche invite les accidents.
- d) **Retirer toute clé de réglage avant de démarrer l'outil.** Une clé laissée sur une pièce rotative d'un outil électrique comporte des risques de dommages corporels.

- e) **Adopter une position stable. Maintenir les pieds bien ancrés au sol et conserver son équilibre en permanence.** Cela permettra de mieux maîtriser l'outil électrique en cas de situations imprévues.
- f) **Porter des vêtements appropriés. Ne porter aucun vêtement ample ou bijou. Maintenir cheveux, vêtements et gants à l'écart des pièces mobiles, car ils pourraient s'y faire prendre.**
- g) **Lorsqu'un dispositif de connexion à un système de dépoussiérage ou d'élimination est fourni, s'assurer qu'il est branché et utilisé correctement.** L'utilisation de ces dispositifs peut réduire les risques engendrés par les poussières.

**4) UTILISATION ET ENTRETIEN DES OUTILS ÉLECTRIQUES**

- a) **Ne pas forcer un outil électrique. Utiliser l'outil approprié au travail en cours.** L'outil approprié effectuera un meilleur travail, de façon plus sûre et à la vitesse pour laquelle il a été conçu.
- b) **Ne pas utiliser un outil électrique dont l'interrupteur est défectueux.** Tout appareil dont l'interrupteur est défectueux est dangereux et doit être réparé.
- c) **Débrancher la fiche du secteur et/ou la batterie de l'outil électrique avant d'effectuer tout réglage, de changer tout accessoire, ou avant de le ranger.** Ces mesures préventives réduiront tout risque de démarrage accidentel de l'appareil.
- d) **Après utilisation, ranger les outils électriques hors de portée des enfants et ne permettre à aucune personne non familière avec son fonctionnement (ou sa notice d'instructions) de l'utiliser.** Les outils peuvent être dangereux entre des mains inexpérimentées.
- e) **Entretenir les outils électriques. Vérifier les pièces mobiles pour s'assurer qu'elles sont bien alignées et tournent librement, qu'elles sont en bon état et ne sont affectées d'aucune condition susceptible de nuire au bon fonctionnement de l'outil. En cas de dommage, faire réparer l'outil électrique avant toute nouvelle utilisation.** De nombreux accidents sont causés par des outils mal entretenus.
- f) **Maintenir tout organe de coupe propre et bien affûté.** Les outils de coupe bien entretenus et affûtés sont moins susceptibles de se coincer et sont plus faciles à contrôler.
- g) **Utiliser un outil électrique, ses accessoires, mèches, etc., conformément aux présentes directives et suivant la**

*manière prévue pour ce type particulier d'outil électrique, en tenant compte des conditions de travail et de la tâche à effectuer. L'utilisation d'un outil électrique à des fins autres que celles prévues est potentiellement dangereuse.*

## 5) RÉPARATION

- a) **Faire entretenir les outils électriques par un réparateur qualifié en n'utilisant que des pièces de rechange identiques.** Cela permettra de préserver l'intégrité de l'outil électrique et la sécurité de l'utilisateur.

## Consignes supplémentaires de sécurité pour les ponceuses



**AVERTISSEMENT :** l'inhalation ou le contact avec des poussières de sciure peuvent mettre en péril la santé de l'utilisateur et des personnes à proximité. Portez toujours un masque spécialement conçu pour vous protéger des poussières et émanations toxiques et veillez à ce que les personnes situées dans ou passant par la zone de travail soient également protégées.



**AVERTISSEMENT :** cet outil doit être utilisé dans une zone bien aérée lors du ponçage de métaux ferreux. Ne l'utilisez pas à proximité de liquides inflammables, de gaz ou de poussières. Les étincelles ou particules chaudes provenant du ponçage ou de l'arc des charbons du moteur pourraient enflammer les matériaux combustibles.



**AVERTISSEMENT :** nous recommandons l'utilisation d'un disjoncteur différentiel avec un seuil de déclenchement de 30mA ou moins.

## Ponçage de peinture



**AVERTISSEMENT :** respecter les règles en vigueur pour le ponçage de peintures en prêtant une attention particulière à ce qui suit:

- Si possible, utiliser un aspirateur de poussière.
- Lors du ponçage de peintures présumées à base de plomb:
  - Interdire l'accès à la zone de travail aux femmes enceintes et aux enfants.
  - Toutes les personnes ayant accès à la zone de travail doivent porter un masque conçu pour la protection contre les poussières et les vapeurs de plomb.

– Ne pas manger, boire ou fumer dans la zone de travail.

- Se débarrasser de la poussière et des autres débris de manière sûre.

## Risques résiduels

En dépit de l'application des normes de sécurité en vigueur et de l'installation de dispositifs de sécurité, certains risques résiduels sont inévitables. Il s'agit de :

- Diminution de l'acuité auditive.
- Risques de dommages corporels dus à des projections de particules.
- Risques de brûlures provoquées par des accessoires ayant surchauffé pendant leur fonctionnement.
- Risques de dommages corporels dus à un usage prolongé.

## Étiquettes sur l'appareil

On trouve les diagrammes suivants sur l'outil :



Lire la notice d'instructions avant toute utilisation.

## EMPLACEMENT DE LA DATE CODÉE DE FABRICATION (FIG. 1)

La date codée de fabrication (h), qui comprend aussi l'année de fabrication, est imprimée sur le boîtier.

Exemple :

2015 XX XX

Année de fabrication

## Contenu de l'emballage

Ce carton comprend :

- 1 Ponceuse à main
- 1 Sac à poussière
- 1 Disque de ponçage
- 1 Notice d'instructions
- Vérifier que l'appareil et ses pièces ou accessoires n'ont pas été endommagés lors du transport.
- Prendre le temps de lire attentivement et comprendre cette notice d'instructions avant toute utilisation de l'appareil.

## Description (fig. 1)



**AVERTISSEMENT :** ne jamais modifier l'outil ni aucun de ses composants, car cela pose des risques de dommages corporels ou matériels.

## FRANÇAIS

- a. Interrupteur marche/arrêt
- b. Variateur de vitesse électronique (DWE6423)
- c. Orifice d'aspiration des poussières
- d. Sac à poussières
- e. Collier pour sac à poussières
- f. Patin de ponçage
- g. Dispositif anti-étirement
- h. Code date

### USAGE PRÉVU

Votre ponceuse a été conçue pour les applications professionnelles de ponçage.

**NE PAS** utiliser ces outils en milieu ambiant humide ou en présence de liquides ou de gaz inflammables.

Ces ponceuses sont des outils électriques professionnels. **NE PAS** le laisser à la portée des enfants. Une supervision est nécessaire auprès de tout utilisateur non expérimenté.

- Ce produit n'est pas prévu pour être utilisé par des personnes (y compris les enfants) dont les capacités physiques, sensorielles ou mentales sont réduites ou qui manquent d'expérience ou d'aptitudes, sauf si ces personnes sont surveillées par une autre personne responsable de leur sécurité. Ne jamais laisser les enfants seuls avec ce produit.

### Sécurité électrique

Le moteur électrique a été conçu pour fonctionner sur une tension unique. Vérifier systématiquement que la tension du secteur correspond bien à la tension indiquée sur la plaque signalétique.



Votre outil DEWALT à double isolation est conforme à la norme EN 60745 ; un branchement à la terre n'est donc pas nécessaire.

Si le cordon fourni est endommagé, le remplacer par un cordon spécialement conçu à cet effet, et disponible auprès du service après-vente DEWALT.

### Remplacement de la fiche d'alimentation (Moyen-Orient et Afrique)

Si une nouvelle fiche d'alimentation doit être montée :

- Mettre soigneusement au rebut l'ancienne fiche.
- Raccorder le fil marron à la borne de phase dans la fiche.
- Raccorder le fil bleu à la borne de neutre.



**AVERTISSEMENT** : aucun branchement ne doit être fait à la borne de terre.

Suivez les instructions de montage fournies avec des fiches de bonne qualité. Fusible recommandé : 13 A.

### Utilisation d'une rallonge

Si une rallonge s'avère nécessaire, utiliser une rallonge à trois fils homologuée et compatible avec la tension nominale de cet outil (se reporter à la section **Caractéristiques techniques**). La section minimale du conducteur est de 1,5 mm<sup>2</sup> pour une longueur maximale de 30 m.

En cas d'utilisation d'un dévidoir, dérouler systématiquement le câble sur toute sa longueur.

### MONTAGE ET RÉGLAGES



**AVERTISSEMENT** : pour réduire tout risque de dommages corporels, arrêter l'outil et débrancher l'appareil du secteur avant d'installer ou de retirer tout accessoire, avant tout réglage ou changement de configuration ou lors de réparations. S'assurer que la gâchette est bien en position d'ARRÊT. Tout démarrage accidentel pourrait causer des dommages corporels.

### Mise en place des disques abrasifs (fig. 2)

L'outil utilise un crochet de 125 mm (5") et des disques abrasifs avec un schéma d'extraction de poussière à 8 orifices.

1. Mettez la ponceuse sur une table, le patin de ponçage (f) vers le haut.
2. Placez le disque abrasif (i) directement sur le patin de ponçage.
3. Retenez le patin de ponçage d'une main et alignez les trous d'extraction de poussière.
4. Pressez fermement le disque sur le patin de ponçage.

### Réglage du variateur de vitesse électronique (fig. 1)

#### DWE6423

La vitesse est infiniment variable entre 8.000 et 12.000 min<sup>-1</sup> grâce au variateur de vitesse électronique (b).

Tournez le régulateur de vitesse électronique au niveau requis. Le réglage correct sera néanmoins dicté par l'expérience.

De manière générale, les matériaux durs exigent un régime plus élevé.

### Aspiration des poussières (fig. 3, 4)



**AVERTISSEMENT** : le ponçage produisant inévitablement de la poussière, installez toujours un sac à poussière mis au point en conformité avec les directives relatives à l'émission de poussière.



**AVERTISSEMENT** : n'utilisez pas de sac à poussière ni d'aspirateur lors du ponçage de métaux à moins d'utiliser un extincteur d'étincelles.

Votre ponçeuse dispose de deux méthodes d'extraction des poussières : une sortie intégrée (c) qui permet d'y raccorder soit le sac à poussières fourni (d) soit un système d'aspiration ; et une jupe anti-poussières (n, fig. 4). La sortie intégrée utilise un raccord DEWALT Airlock qui la rend compatible avec l'extracteur de poussières DEWALT et l'accessoire Airlock DWV9000.

#### POUR FIXER LE SAC À POUSSIÈRES

1. Tout en maintenant la ponçeuse, installez le collier de sac à poussières (e) sur la sortie (c), comme indiqué sur la figure 3.
2. Tournez le collier (e) dans le sens des aiguilles d'une montre pour verrouiller le sac à poussières (d) en place.

#### POUR VIDER LE SAC À POUSSIÈRES

**REMARQUE** : Pensez à porter des lunettes de protection et un masque anti-poussières homologués pour cette procédure.

Pour que l'aspiration de la poussière reste efficace, videz le sac dès qu'il est rempli au tiers de sa capacité.

1. Tout en maintenant la ponçeuse, tournez le collier (e) dans le sens inverse des aiguilles d'une montre pour déverrouiller le sac à poussières (d).
2. Retirez le sac à poussières de la ponçeuse et secouez ou tapotez-le doucement pour le vider.
3. Refixez le sac à poussières sur la sortie et verrouillez-le en place en tournant le collier du sac dans le sens des aiguilles d'une montre.

Il se peut que les poussières ne sortent pas librement du sac. Cela n'affecte pas les performances du ponçage mais réduit l'efficacité de

la récupération des poussières de la ponçeuse. Pour restaurer l'efficacité de récupération des poussières de votre ponçeuse, appuyez sur le ressort à l'intérieur du sac à poussières tout en le vidant et tapotez le sac sur le côté de la poubelle ou du récipient à poussière.

## FONCTIONNEMENT

### Consignes d'utilisation



**AVERTISSEMENT** : respecter systématiquement les consignes de sécurité et les normes en vigueur.



**AVERTISSEMENT** : pour réduire tout risque de dommages corporels graves, arrêter et débrancher l'outil avant tout réglage ou avant de retirer ou installer toute pièce ou tout accessoire.



**AVERTISSEMENT** :

- Fixer convenablement l'ouvrage à poncer.
- Exercer une légère pression seulement. Une pression trop forte n'améliore pas l'effet de ponçage mais surcharge l'outil et provoque le déchirement du papier abrasif.
- Éviter toute surcharge.



**AVERTISSEMENT** : ne pas poncer des surfaces en magnésium !

**REMARQUE** : si vous enrroulez le cordon autour de l'outil en le rangeant, faites de grandes boucles avec le cordon pour ne pas plier le dispositif anti-étirement (g, fig. 1). Ceci permet d'éviter l'usure prématurée du cordon.

### Position correcte des mains (fig. 5)



**AVERTISSEMENT** : pour réduire tout risque de dommages corporels graves, adopter **SYSTÉMATIQUEMENT** la position des mains illustrée.



**AVERTISSEMENT** : pour réduire tout risque de dommages corporels graves, maintenir fermement et **SYSTÉMATIQUEMENT** l'outil pour anticiper toute réaction soudaine de sa part.

La position correcte des mains nécessite d'avoir une main sur le corps de la ponçeuse (j) ou une main sur la poignée principale (p) comme indiqué.



## Mise en marche et arrêt de l'appareil (fig. 1)

### DWE6421

Pour allumer l'outil, placez l'interrupteur de marche/arrêt en position I.

Pour éteindre l'outil, placez l'interrupteur de marche/arrêt en position O.

### DWE6423

Réglez la vitesse de ponçage au moyen du variateur de vitesse électronique (b).

Pour allumer l'outil, placez l'interrupteur de marche/arrêt en position I.

Pour éteindre l'outil, placez l'interrupteur de marche/arrêt en position O.

## Ponçage

Commencez avec un papier à gros grains.

Cet outil produisant de faibles marques d'abrasion dans toutes les directions, il n'est pas impératif de poncer dans le sens du grain.

Vérifiez souvent votre travail.

Toujours mettre l'outil à l'arrêt après le travail et avant de débrancher l'outil.

## MAINTENANCE

Cet outil DEWALT a été conçu pour fonctionner longtemps avec un minimum de maintenance. Le fonctionnement continu et satisfaisant de l'outil dépend d'un entretien adéquat et d'un nettoyage régulier.



**AVERTISSEMENT : pour réduire tout risque de dommages corporels, arrêter l'outil et débrancher l'appareil du secteur avant d'installer ou de retirer tout accessoire, avant tout réglage ou changement de configuration ou lors de réparations.** S'assurer que la gâchette est bien en position d'ARRÊT. Tout démarrage accidentel pourrait causer des dommages corporels.

## Remplacement du patin de ponçage et de la courroie du limiteur de vitesse (fig. 4)

Votre ponceuse est équipée d'une courroie remplaçable (m) qui se trouve entre le patin (f) et le corps de la ponceuse (j). Elle est conçue pour contrôler la vitesse du patin quand la machine est

soulevée de la surface de travail. La courroie et le patin de ponçage (f) sont des pièces consommables qui doivent être remplacées de façon occasionnelle. Le patin de ponçage doit être remplacé lorsque les signes d'usure sont manifestes. Le remplacement de la courroie est nécessaire lorsque la vitesse du tapis augmente très fortement alors que la machine est soulevée de la surface de travail. Ces pièces sont disponibles en supplément auprès de votre revendeur local ou de votre centre DEWALT agréé.

1. En maintenant fermement la platine, enlevez les quatre vis (o) au bas du patin.
2. Retirez le patin (f).
3. Remplacez la courroie usée ou endommagée (m) en l'enroulant autour de la vis à épaulement (k) et du chapeau intérieur (l), comme indiqué sur la figure 4.
4. Réinstallez le patin (remplacez-le par un neuf si nécessaire). Remplacez les quatre vis (o). Prenez garde à ne pas trop serrer les vis.



## Lubrification

Votre outil électrique ne requiert aucune lubrification additionnelle.



## Entretien

**REMARQUE :** Après avoir utilisé l'outil pour poncer du métal sans sac à poussière, il convient de le nettoyer en utilisant de l'air à basse pression.



**AVERTISSEMENT :** éliminer poussière et saleté du boîtier principal à l'aide d'air comprimé chaque fois que les orifices d'aération semblent s'encrasser. Porter systématiquement des lunettes de protection et un masque anti-poussières homologués au cours de cette procédure.



**AVERTISSEMENT :** ne jamais utiliser de solvants ou tout autre produit chimique décapant pour nettoyer les parties non métalliques de l'outil. Ces produits chimiques pourraient en attaquer les matériaux utilisés. Utiliser un chiffon humidifié avec de l'eau et un savon doux. Protéger l'outil de tout liquide et n'immerger aucune de ses pièces dans aucun liquide.



## Accessoires en option



**AVERTISSEMENT** : comme les accessoires autres que ceux offerts par DEWALT n'ont pas été testés avec ce produit, leur utilisation avec cet appareil pourrait être dangereuse. Pour réduire tout risque de dommages corporels, seuls des accessoires DEWALT recommandés doivent être utilisés avec cet appareil.

Veillez consulter votre revendeur pour plus d'informations sur les accessoires appropriés.

## Protection de l'environnement



Collecte sélective. Ne pas jeter ce produit avec les ordures ménagères.

En fin de durée de vie ou d'utilité de votre produit DEWALT, ne pas le jeter avec les ordures ménagères, mais dans les conteneurs de collecte sélective.



La collecte sélective des produits et emballages usagés permet de recycler et réutiliser leurs matériaux. La réutilisation de matériaux recyclés aide à protéger l'environnement contre la pollution et à réduire la demande en matière première.

Selon les réglementations locales, il peut être offert : service de collecte sélective individuel des produits électriques, ou déchetterie municipale ou collecte sur les lieux d'achat des produits neufs.

DEWALT dispose d'installations pour la collecte et le recyclage des produits DEWALT en fin de vie. Pour profiter de ce service, veuillez rapporter votre produit auprès d'un centre de réparation agréé qui le recyclera en notre nom.

Pour connaître l'adresse d'un centre de réparation agréé près de chez vous, veuillez contacter votre distributeur DEWALT local à l'adresse indiquée dans cette notice d'instructions, ou consulter la liste des centres de réparation agréés DEWALT, l'éventail de notre SAV et tout renseignement complémentaire sur Internet à l'adresse : [www.2helpU.com](http://www.2helpU.com).

# ماكينة الصقل المزودة بمقبض لراحة اليد مقاس 125 مم (5 بوصات) طراز DWE6421، و DWE6423

## تهانينا!

لقد اخترت أداة DEWALT. سنوات الخبرة التي تمتد خلالها عمليات تطوير المنتجات وابتكارها تجعل DEWALT من أكثر الشركاء الذين يمكن الاعتماد عليهم بالنسبة لمستخدمي أدوات الطاقة من المحترفين.

## البيانات الفنية

DWE6423 IN/B5	DWE6421 ZA	
220-240	230	الجهد الكهربائي فولت
1	1	النوع
50/60	50	التردد هرتز
280	280	دخل الطاقة واط
350-400	350-400	السرعة بدون حمل دقيقة
125	125	قطر الوسادة مم
8000-12000	12000	الدورات دقيقة
2.4	2.4	قطر الدورة مم
1.3	1.3	الوزن كجم

## التعريفات: تعليمات الأمان

تصف التعريفات التالية مستوى أهمية كل كلمة تحذيرية. يرجى قراءة الدليل والانتباه لتلك الرموز.

خطرة! تشير هذه الكلمة إلى وجود حالة خطر وشيكة، وإذا لم يتم تفاديها، فقد تؤدي إلى الوفاة أو الإصابة الجسيمة.

تحذير! تشير هذه الكلمة إلى وجود حالة خطر محتملة، وإذا لم يتم تفاديها، فقد تؤدي إلى الوفاة أو الإصابة الجسيمة.

تنبيه! تشير هذه الكلمة إلى وجود حالة خطر محتملة، وإذا لم يتم تفاديها، فقد تؤدي إلى حدوث إصابة بسيطة أو متوسطة.

ملاحظة! تشير إلى ممارسة غير متعلقة بإصابة شخصية، إذا لم يتم تفاديها، فقد تؤدي إلى ضرر الممتلكات.

تشير إلى خطر حدوث صدمة كهربائية.

تشير إلى خطر نشوب حريق.

تحذير! تشير إلى تقليل خطر حدوث الإصابات، يرجى قراءة دليل التعليمات.

## تحذيرات الأمان العامة للأدوات الكهربائية

تحذير! يرجى قراءة جميع تحذيرات الأمان وجميع التعليمات. عدم الالتزام باتباع هذه التحذيرات والتعليمات قد يؤدي إلى حدوث صدمة كهربائية، و/أو نشوب حريق، و/أو إصابة جسيمة.

احتفظ بجميع التحذيرات والتعليمات من أجل الرجوع إليها في المستقبل

يشير المصطلح "أداة كهربائية" في التحذيرات إلى الأداة الكهربائية التي تعمل بالطاقة الكهربائية (مزودة بسلك كهربائي) أو الأداة الكهربائية التي تعمل بالبطارية (غير مزودة بسلك كهربائي).

## 1) أمان منطقة العمل

- احتفظ بمنطقة العمل نظيفة ومضاءة بطريقة جيدة. حيث أن المناطق المكدسة بغير نظام أو المظلمة تؤدي إلى وقوع الحوادث.
- لا تقم بتشغيل الأدوات الكهربائية في الأجواء المتفجرة، كأن يوجد بالمكان سوائل أو غازات أو غبار قابل للاشتعال. قد تؤدي الأدوات الكهربائية التي تحدث شرارات في اشتعال الأتربة أو الأذخنة.
- حافظ على الأطفال والأشخاص المشاهدين بعيداً أثناء تشغيل الأداة الكهربائية. فقد يؤدي تشتت الانتباه إلى فقدان سيطرتك.

## 2) السلامة الكهربائية

- يجب أن يتطابق قابس الأداة الكهربائية مع مصدر التيار الكهربائي. لا تقم مطلقاً بإجراء تعديل على القابس بأي طريقة. لا تستخدم قابس المحول مع الأدوات الكهربائية المؤرضة (تم تأريضها). حيث ستقلل المقابس غير المعدلة ومصادر التيار الكهربائي المتطابقة من خطر حدوث صدمة كهربائية. تجنب تلامس الجسد مع الأسطح الأرضية أو المؤرضة كالأنابيب، المشعاع والنطاقات والتلججات. حيث يوجد خطر متزايد من حدوث صدمة كهربائية إذا كان جسدك مؤرضاً أو ثابتاً على الأرض.
- لا تعرض الأدوات الكهربائية للمطر أو البلل. إذ سيؤدي الماء الذي يدخل الأداة الكهربائية إلى زيادة خطر حدوث صدمة كهربائية.
- لا تستخدم الكابل بطريقة خاطئة. لا تستخدم مطلقاً السلك من أجل حمل الأشياء أو سحبها أو لنزع قابس الأداة الكهربائية. أبعد السلك عن الحرارة أو الزيوت أو العوالم الحادة أو الأجزاء المتحركة. إذ تزيد الأسلاك التالفة أو المتشابكة من خطر حدوث صدمة كهربائية.
- عند تشغيل الأداة الكهربائية خارج المنزل، استخدم سلك استئطالة ملائم للاستخدام في الأماكن الخارجية. حيث إن استخدام السلك الملائم للاستخدام الخارجي يقلل من خطر حدوث الصدمة الكهربائية.
- إذا لم يكن هناك مفر من تشغيل الأداة الكهربائية في أحد الأماكن الرطبة، فاستخدم مصدر إمداد محمي بجهاز قاطع الدورة (RCD). استخدم جهاز التيار المتبقي يقلل من حدوث الصدمة الكهربائية.

## 3) السلامة الشخصية

- ابق متيقظاً وراقب ما تقوم بفعله واستعن بالحواس العامة عند تشغيل الأداة الكهربائية. لا تستخدم الأداة الكهربائية عندما تكون متعباً أو تحت تأثير المخدرات أو الكحول أو الأدوية. قد تؤدي أي لحظة من السهو أثناء تشغيل الأدوات الكهربائية إلى حدوث إصابة جسيمة.
- استخدم معدات الوقاية الشخصية. قم دائماً بارتداء واقعي العينين. إذ أن استخدام معدات الوقاية مثل كمامات الأتربة، وأحذية الأمان المانعة للانزلاق، والخوذة الصلبة، أو واقعي الأذن للحالات ذات الصلة سيقلل من الإصابات الشخصية.
- تجنب التشغيل العرضي. تأكد من أن المفتاح في وضع إيقاف التشغيل قبل التوصيل بمصدر الطاقة، و/أو مجموعة البطارية، أو التقاط أو حمل الأداة. حيث قد يؤدي حمل الأدوات الكهربائية أثناء وجود إصبعك على المفتاح أو إمداد الأدوات الكهربائية التي يكون مفتاحها بوضع التشغيل بالكهرباء إلى وقوع الحوادث.
- قم بإخراج أي مفتاح ضبط أو مفتاح ربط قبل تشغيل الأداة الكهربائية. فقد يؤدي ترك مفتاح الربط أو المفتاح بالجزء الدوار بالأداة الكهربائية إلى حدوث إصابة شخصية.
- تجنب مد يدك بعيداً بالجهاز. حافظ على ثبات موضع قدمك والتوازن طيلة الوقت. إذ يساعد ذلك على التحكم بشكل أفضل في الأداة الكهربائية في المواقف المفاجئة.
- ارتد ملابس مناسبة. تجنب ارتداء ملابس أو مجوهرات فضفاضة. أبعد الشعر والملابس والقفاذات عن الأجزاء المتحركة. فقد تحشر الملابس أو المجوهرات الفضفاضة أو الشعر الطويل في الأجزاء المتحركة.

- (د) في حال توفير الأجهزة للتوصيل بوسائل استخلاص وتجميع الأتربة، فتأكد من توصيلها واستخدامها بطريقة صحيحة، حيث أن تجميع الأتربة قد يؤدي إلى تقليل المخاطر المتعلقة بالأتربة.

#### (4) استخدام الأداة الكهربائية والعناية بها

- (أ) لا تتعامل بالقوة مع الأداة الكهربائية. استخدم الأداة الكهربائية الملائمة لغرض الاستخدام الخاص بك. حيث ستنتج الأداة الكهربائية الملائمة المهمة بشكل أفضل وأكثر أماناً عند المعدل الذي صممت من أجله.
- (ب) لا تستخدم الأداة الكهربائية إذا كان المفتاح لا يؤدي إلى التشغيل وإيقاف التشغيل. حيث تشكل أي أداة كهربائية لا يمكن التحكم فيها بواسطة المفتاح خطورة ويجب إصلاحها.
- (ج) قم بفصل القابس من مصدر الطاقة و/أو مجموعة البطارية من الأداة الكهربائية قبل إجراء أي عمليات ضبط أو تغيير ملحقات أو تخزين الأدوات الكهربائية. تقلل مثل إجراءات السلامة الوقائية هذه من خطر تشغيل الأداة الكهربائية بشكل فجائي.
- (د) قم بتخزين الأدوات الكهربائية المتوقفة عن العمل بعيداً عن متناول الأطفال ولا تدع الأشخاص غير الملمين بالأداة الكهربائية أو بهذه التعليمات يقومون بتشغيل الأداة الكهربائية. إذ تعد الأدوات الكهربائية خطيرة في أيدي المستخدمين غير المدربين على استخدامها.
- (هـ) حافظ على الأدوات الكهربائية. افحص للتحري عن أي محاذرة غير صحيحة أو الصاق للأجزاء المتحركة، أو كسر للأجزاء وأي حالات أخرى قد تؤثر على تشغيل الأداة الكهربائية. وفي حال وجود تلف، قم بإصلاح الأداة الكهربائية قبل الاستخدام. حيث يرجع سبب وقوع العديد من الحوادث إلى الصيانة السيئة للأدوات الكهربائية.

### المخاطر المتبقية

على الرغم من تطبيق تعليمات السلامة ذات الصلة والتزود بأجهزة الأمان، إلا أنه لا يمكن تفادي بعض المخاطر المتبقية المحددة. وتشمل هذه المخاطر ما يلي:

- ضعف السمع.
- خطر التعرض للإصابة الشخصية بسبب الجسيمات المتطايرة.
- خطر التعرض للحروق بسبب سخونة الملحقات أثناء التشغيل.
- خطر التعرض للإصابة الشخصية بسبب الاستخدام المطول.

### العلامات على الأداة

الصور التالية موضحة على الأداة:

اقرأ دليل التعليمات قبل الاستخدام.



### وضع كود التاريخ (الشكل 1)

كود التاريخ (ح) الذي يتضمن كذلك عام التصنيع مطبوع في التجويف. مثال:

2015 XX XX  
سنة التصنيع

### محتويات العبوة

تحتوي العبوة على ما يلي:

- 1 ماكينة الصقل المزودة بمقبض لراحة اليد
  - 1 كيس الأتربة
  - 1 قرص الصقل
  - 1 دليل التعليمات
- افحص بحثاً عن أي تلف لحق بالأداة أو الأجزاء أو الملحقات يمكن أن يكون قد حدث أثناء النقل.
  - استغرق الوقت اللازم لقراءة هذا الدليل وفهمه جيداً قبل التشغيل.

### الوصف (الشكل 1)

تحذير: لا تتم مطلقاً بتعديل الأداة الكهربائية أو أي جزء منها. فقد ينجم عن ذلك التلف أو الإصابة الشخصية.



- أ. مفتاح التشغيل/ إيقاف التشغيل
- ب. قرص التحكم الإلكتروني في السرعة (DWE6423)
- ج. منفذ استخلاص الأتربة
- د. كيس الأتربة

### (5) الخدمة

- (أ) قم بصيانة الأداة الكهربائية الخاصة بك على يد فني إصلاح مؤهل وذلك من خلال استخدام أجزاء بديلة متطابقة فقط. حيث سيضمن ذلك الحفاظ على أمان الأداة الكهربائية.

### قواعد الأمان الإضافية الخاصة بماكينات الصقل

تحذير: يمكن أن يؤدي ملامسة أو استنشاق الأتربة التي تنجم عن عمليات الصقل إلى تعريض صحة المشغل والأشخاص المحتمل تواجدهم في المكان للخطر. ارتد قناع مقاوم للأتربة مصمم خصيصاً للحماية ضد الأتربة والأدخنة السامة وتحقق كذلك من حماية الأشخاص الموجودين أو الذين يدخلون إلى منطقة العمل.



تحذير: استخدم هذه الأداة في منطقة جيدة التهوية عند صقل المعادن الحديدية. لا تقم بتشغيل المعدة بالقرب من السوائل القابلة للاشتعال أو الغازات أو الأتربة. ربما تؤدي الشرارات أو القطع الساخنة الناتجة عن الصقل أو الموتور المتحرك إلى اشتعال المواد القابلة للاحتراق والاشتعال.



تحذير: نوصي باستخدام جهاز قاطع الدورة مع ضبط قطع الدورة على 30 ملي أمبير أو أقل.



### طلاء الصقل

تحذير: التزم باللوائح السارية فيما يتعلق بطلاء الصقل. الرجاء الاهتمام بما يلي على وجه الخصوص:



وقبل ضبط أو تغيير الإعدادات، أو عند إجراء الإصلاحات. تأكد من أن مفتاح التشغيل في وضع OFF (إيقاف التشغيل). قد يؤدي بدء التشغيل غير المقصود إلى حدوث إصابة.

## تركيب أقراص الصقل (الشكل 2)

تستخدم الأداة أقراص صقل خطافات وحلقات مقياس 125 مم (5 بوصات) بنمط استخلاص أتربة بثمان فتحات.

1. ضع الأداة على طاوله، بحيث تكون وسادة الصقل (و) لأعلى.
2. ضع قرص الصقل (ط) على وسادة الصقل.
3. امسك وسادة الصقل بإحدى يديك وقم بضغط فتحات استخلاص الأتربة.
4. اضغط على القرص بإحكام على وسادة الصقل.

## ضبط قرص التحكم الإلكتروني في السرعة (الشكل 1)

DWE6423

يمكن تغيير السرعة بصورة غير متناهية من 8000 إلى 12000 د-1 باستخدام قرص التحكم الإلكتروني في السرعة (ب).

أدر قرص التحكم بالسرعة الإلكتروني على المستوى المطلوب. (لأن الإعداد الصحيح، رغم ذلك، عبارة عن مسألة خبرة وبصفة عامة، تتطلب المواد الأكثر صلابة إعداداً أعلى.

## استخلاص الأتربة (الشكلان 3 و 4)

تحذير: حيث إن أعمال التجارة باستخدام ماكينة الصقل تؤدي إلى إنتاج الأتربة، قم دائماً بتركيب كيس أتربة مصمم للتوافق مع التوجيهات السارية فيما يتعلق بانبعاثات الأتربة.

تحذير: لا تستخدم كيس أتربة أو مستخلص المكسفة بدون وقي مناسب من الشرر عند صقل المعادن.

تم تزويد ماكينة الصقل الخاصة بأسلوبين لاستخلاص الأتربة: منفذ مدمج (ج) يسمح بتوصيل كيس الأتربة المرفق (د) أو نظام مكسفة متجر؛ وكيس أتربة (ن، الشكل 4). يستخدم المنفذ المدمج وصلة DEWALT محكمة بما يجعله يتوافق مع مستخلص أتربة DEWALT والملحق المحكم طراز DWV9000.

### لتركيب كيس الأتربة

1. أثناء الإمساك بماكينة الصقل، قم بتركيب طوق كيس الأتربة (هـ) بالمنفذ (ج) كما هو موضح في الشكل 3.
2. أدر الطوق (هـ) في نفس اتجاه حركة عقارب الساعة لتثبيت كيس الأتربة (د) في مكانه.

### إفراغ كيس الأتربة

**ملاحظة:** تحقق من ارتداء وقي العين المعتمد وفتح الأتربة المعتمد عند تنفيذ هذا الإجراء.

لاستخلاص الأتربة بشكل فعال، قم بإفراغ مُجمع الأتربة عندما يمتلئ بمقدار الثلث تقريباً.

1. أثناء الإمساك بماكينة الصقل، أدر الطوق (هـ) عكس اتجاه حركة عقارب الساعة لفك كيس الأتربة (د).
2. قم بإزالة كيس الأتربة من ماكينة الصقل وقم بهز أو النقر على كيس الأتربة من أجل إفراغه.

- هـ. حلقة كيس الأتربة
- و. وسادة الصقل
- ز. تخفيف الضغط
- ح. كود البيانات

### الاستخدام المقصود

تم تصميم ماكينة الصقل الخاصة بك من أجل تطبيقات الصقل الاحترافية. لا تستخدمها في ظروف البلل أو في وجود سوائل أو غازات قابلة للاشتعال.

ماكينات الصقل هذه عبارة عن أدوات كهربائية احترافية.

لا تدع الأطفال يلعبون الأداة. يكون الإشراف أمراً ضرورياً عند استخدام مشغل قليل الخبرة لهذه الأداة.

- هذا المنتج غير مخصص للاستخدام من قبل الأفراد (بما في ذلك الأطفال) الذين يعانون من قصور في القدرات الجسدية أو الحسية أو العقلية، وقلة الخبرة أو المعرفة أو المهارات ما لم يكونوا تحت إشراف من يتحمل مسؤولية سلامتهم. لا ينبغي أن يُترك الأطفال وحدهم مع هذا المنتج.

### السلامة الكهربائية

تم تصميم المحرك الكهربائي لتحمل جهد كهربائي واحد فقط. تأكد دوماً من أن مصدر إمداد الطاقة مطابق للجهد الكهربائي المبين على لوحة التصنيف.

تم تزويد الأداة الخاصة بك من DEWALT بعازل مزدوج طبقاً لمعيار EN 60745، لذا لا حاجة للسلك الأرضي.

إذا كان سلك إمداد الطاقة تالفاً، فيجب استبداله بسلك آخر معد خصيصاً ومتوفر لدى مراكز خدمة DEWALT.

### استبدال قابس التيار الرئيسي (الشرق الأوسط وإفريقيا)

إذا استدعت الضرورة تركيب قابس تيار رئيسي، فقم بالتالي:

- تخلص بأمان من القابس القديم.
- وصل السلك البني بطرف التوصيل النشط في القابس.
- وصل السلك الأزرق بطرف التوصيل المحايد.

تحذير: لا يتم إجراء أي توصيل بطرف التوصيل الأرضي.

قم باتباع التعليمات الواردة مع القوابس ذات الجودة العالية. المتصهر الموصى باستخدامه: 13 أمبير.

### استخدام كابل الاستطالة

إذا كان الأمر يتطلب استخدام كابل استطالة، فاستخدم كابل استطالة بثلاث سنون ملائم لدخل طاقة هذه الأداة (انظر البيانات التقنية). الحد الأدنى لحجم الموصل هو 1.5 مم<sup>2</sup> الطول الأقصى هو 30 سم.

عند استخدام بكرة الكابل، قم دوماً بفك الكابل تماماً.

### عمليات التجميع والضبط

تحذير: لخفض خطر التعرض للإصابة، قم بإيقاف تشغيل الوحدة، ووصل الماكينة من مصدر الطاقة قبل تركيب المحلقات وفكها.

3. أعد تركيب كيس الأتربة مرة أخرى على المنفذ وقم بتثبيتته في مكانه من خلال إدارة طوق كيس الأتربة في نفس اتجاه حركة عقارب الساعة.

يمكن أن تلاحظ أنه لن يتم إخراج كل الأتربة بشكل حر من الكيس. ولن يؤثر ذلك على أداء عملية الصقل، إلا أنه يقلل من فاعلية تجميع الأتربة في ماكينة الصقل. ولاستعادة فاعلية تجميع الأتربة في ماكينة الصقل، اضغط على الزنبرك الموجود داخل كيس الأتربة أثناء إفراغه وانقر به على جانب حاوية النفايات أو مستقبل الأتربة.

## التشغيل

### تعليمات الاستخدام

تحذير: التزم دوماً بتعليمات الأمان والوائح المعمول بها.



تحذير: لتقليل خطر التعرض للإصابة الشخصية الجسيمة، قم بإيقاف تشغيل الأداة وفصلها من مصدر الطاقة قبل إجراء أي عمليات ضبط، أو إزالة/ تركيب الملحقات أو الإكسسوارات.



تحذير:



- تحقق من تثبيت كل المواد المطلوب صقلها بشكل جيد.
- اضغط برفق فقط على الأداة. لا يؤدي الضغط الزائد عن الحد إلى تحسين تأثير الصقل، ولكنه يؤدي فقط إلى زيادة الحمولة على الماكينة كما يتسبب في تلفي المادة الكاشطة.
- تجنب زيادة الحمل.



ملاحظة: إذا قمت بلف السلك حول الأداة عندما تقوم بتخزينها، فاجعل دائرة السلك واسعة بحيث لا تنثني وحدة تخفيف الضغط (ر، الشكل 1). ويساعد ذلك على منع تلف السلك قبل أوانه.

### طريقة الإمساك الصحيحة باليد (الشكل 5)

تحذير: لتقليل خطر حدوث الإصابة الشخصية الجسيمة، استخدم دوماً الوضع اليدوي الملائم كما هو موضح.



تحذير: لخفض خطر التعرض للإصابة الجسدية الجسيمة، أمسك دوماً الأداة بإحكام عند توقع حدوث رد فعل مفاجئ.



تتطلب طريقة الإمساك الصحيحة باليد وضع يد على جسم ماكينة الصقل (ي) أو وضع يد على المقبض الرئيسي (ع) كما هو موضح.

### التشغيل وإيقاف التشغيل (الشكل 1)

#### DWE6421

لتشغيل الأداة، حرك مفتاح التشغيل/ إيقاف التشغيل إلى الوضع (I). لإيقاف تشغيل الأداة، حرك مفتاح التشغيل/ إيقاف التشغيل إلى الوضع (O).

#### DWE6423

اضبط سرعة الصقل باستخدام القرص الإلكتروني للتحكم في السرعة (ب).

لتشغيل الأداة، حرك مفتاح التشغيل/ إيقاف التشغيل إلى الوضع (I). لإيقاف تشغيل الأداة، حرك مفتاح التشغيل/ إيقاف التشغيل إلى الوضع (O).

## الصقل

ابدا العمل بمقاس حبيبات الرمال الأكثر خشونة.

حيث إن الأداة تؤدي إلى إظهار علامات كاشطة صغيرة في كل الاتجاهات، لا يلزم الصقل باستخدام السطح المحبب.

افحص العمل الذي يتم تنفيذه على فترات زمنية قصيرة.

قم دوماً بإيقاف تشغيل الأداة عند الانتهاء من العمل وقيل فصل القابس.

## الصيانة

تم تصميم الأداة الكهربية DEWALT الخاصة بك للعمل خلال فترة زمنية طويلة مع أدنى حد من الصيانة. يعتمد التشغيل المرضي المتواصل على العناية الملائمة بالأداة وتنظيفها بشكل منتظم.

تحذير: لخفض خطر التعرض للإصابة، قم بإيقاف تشغيل الوحدة، وفصل الماكينة من مصدر الطاقة قبل تركيب الملحقات وفكها.



وقبل ضبط أو تغيير الإعدادات، أو عند إجراء الإصلاحات، تأكد من أن مفتاح التشغيل في وضع OFF (إيقاف التشغيل). قد يؤدي بدء التشغيل غير المقصود إلى حدوث إصابة.

### استبدال وسادة الصقل وحزام تخفيف السرعة (الشكل 4)

تم تزويد ماكينة الصقل الخاصة بك بحزام قابل للاستبدال (م) يتواجد بين الوسادة (و) وجسم ماكينة الصقل (ي). وهو مصمم للتحكم في سرعة الوسادة أثناء بعد الوحدة عن سطح العمل. تم تصميم الحزام ووسادة الصقل (و) بحيث تكون أجزاء قابلة للتغيير ويجب استبدالها من وقت لآخر. ويلزم استبدال وسادة الصقل عندما تظهر عليها آثار التآكل كما يلزم استبدال الحزام عندما تزيد سرعة الوسادة بشكل كبير عندما يتم رفع الوسادة من على سطح العمل. وهذه الأجزاء متاحة بتكلفة إضافية من الموزع المحلي أو من مركز خدمة DEWALT المعتمد.

1. أثناء الإمساك بالاسطوانة بإحكام، قم بإزالة البراغي الأربعة (س) من أسفل الوسادة.
2. قم بإزالة الوسادة (و).
3. قم باستبدال الحزام التآلف أو البالي (م) من خلال لفه حول برغي الكنتف (ك) ومثبت المحمل (ط) كما هو موضح في الشكل 4.
4. أعد تركيب الوسادة (مع استبدالها واستخدام وسادة جديدة إذا لزم الأمر). أعد تركيب البراغي الأربعة (س). توخ الحذر بحيث لا تربط البراغي بشكل زائد عن الحد.



## التشحيم

لا تحتاج الأداة الكهربية الخاصة بك إلى أي تشحيم إضافي.



## التنظيف

ملاحظة: بعد استخدام الأداة في تطبيقات صقل المعادن بدون استخدام كيس الأتربة، قم بتنظيف الأداة باستخدام الهواء المضغوط ضغطاً خفيفاً.

**تحذير:** قم بتنفخ الأتربة والغبار خارج التجويف الرئيسي بواسطة الهواء الجاف عدد أكبر من المرات في حال مشاهدة تجمع الأتربة بداخل المنافذ الهوائية وحولها. قم بارتداء واقى العين المعتمد وكمامة الأتربة المعتمدة عند تنفيذ هذا الإجراء.



**تحذير:** لا تقم مطلقاً باستخدام مذيبات أو أي مواد كيميائية قاسية أخرى لتنظيف الأجزاء غير المعدنية بالأداة. إذ قد تضعف هذه المواد الكيميائية من المواد المستخدمة في هذه الأجزاء. استخدم قطعة قماش مبللة بالماء والصابون الخفيف فقط. لا تسمح قط بدخول أي سائل إلى الأداة. ولا تقم مطلقاً بغمر أي جزء من الأداة في السائل.



### الملحقات الاختيارية

**تحذير:** نظراً لأن الملحقات، بخلاف تلك التي اعتمدها DEWALT، لم تخضع للاختبار مع هذا المنتج، فإن استخدام مثل هذه الملحقات مع الأداة قد يشكل خطورة. لتقليل خطر وقوع إصابة، يجب استخدام ملحقات DEWALT الموصى بها فقط مع هذا المنتج.



استشر وكيلك لمعرفة المزيد من المعلومات حول الملحقات الملائمة.

### حماية البيئة

تجمع منفصلاً. يجب عدم التخلص من هذا المنتج في النفايات المنزلية العادية.



إذا احتجت في أحد الأيام إلى استبدال منتج DEWALT الخاص بك، أو لم تعد هنالك حاجة لاستخدامه، فلا تتخلص منه في النفايات المنزلية. اجعل هذا المنتج متوفراً للتجميع المنفصل.

يتيح التجميع المنفصل للمنتجات والعبوات المستهلكة إعادة تدوير المواد واستخدامها مرة أخرى. إعادة استخدام المواد المعاد تدويرها يساعد على منع التلوث البيئي وتقليل الطلب على المواد الخام.



قد توفر القوانين المحلية أماكن تجميع منفصلة للمنتجات الكهربائية عن النفايات المنزلية، وفي مواقع النفايات البلدية أو بواسطة بائع التجزئة عند شرائك لمنتج جديد.

تقدم شركة DEWALT مكان مخصص لتجميع وإعادة تدوير منتجات DEWALT فور بلوغها نهاية عمر التشغيل. للاستفادة من هذه الخدمة، الرجاء إعادة المنتج الخاص بك إلى وكيل إصلاح معتمد والذي سيقوم بتجميعه نيابة عنك.

بإمكانك التعرف على موقع أقرب وكيل إصلاح معتمد في منطقتك من خلال الاتصال بمكتب DEWALT المحلي على العنوان المحدد في هذا الدليل. بدلاً من ذلك، تتوفر قائمة من وكلاء إصلاح معتمدين تابعين لـ DEWALT مع بياناتهم التفصيلية الكاملة لخدمة ما بعد البيع وجهات الاتصال المتوفرة على الإنترنت عبر الموقع الإلكتروني:

[www.2helpU.com](http://www.2helpU.com)

<b>Afghanistan</b>	Ariana Hafiz Zabi Co. Ltd. Dahan Bagh Squire Karte Ariana, Kabul, Afghanistan	info@arianahafiz.com	Tel: 93-0-799331079 Fax: 93-0-700007576 / 93-0-799331079
<b>Algeria</b>	Sarl Outillage Corporation 08, Rue Med Boudiaf (ex TELLA Achen) Cheraga, Alger	hakim.merdjadi@outillage-dz.com lyes@outillage-dz.com Mali.faiza@outillage-dz.com; sidahmed@outillage-dz.com	Tel: 213-0-21375130 213-0-21375131 Fax: 213-0-21369667
<b>Angola</b>	Angoferraria, Lda. Rua Robert Shields, nº 61, Luanda, Angola	angoferraria@gmail.com sequiera.angoferraria@gmail.com	Tel: 244-222-395837 / 244-222-395034 Fax: 244-222-394790
<b>Azerbaijan</b>	Royalton Holdings Ltd. 41 Khagani St. Apt. 47 AZ1001 Baku- Azerbaijan	jai@royaltonholdings.com office@royaltonholdings.com	Tel: 994-12-4935544 Fax: 994-12-5980378
<b>Egypt</b>	ElFarab S.A.E. 15-Nabil El Wakkad Street, Dokki, Giza, Egypt	elfarab@elfarab.com adel.ezzat@elfarab.com mahmoud.elhosseiny@elfarab.com	Tel: 202-37603946 Fax: 202-33352796
<b>Ethiopia</b>	Seif Tewfik Sherif Arada Sub City, Kebele 01/02, Global Insurance Bldg., 2nd Flr., Room 43, P.O. Box 2525, Addis Ababa	seif@ethionet.et nawanag@ethionet.et	Tel: 251-11-1563968 251-11-1563969 Fax: 251-11-1558009
<b>Iraq</b>	Al-Sard Co. for General Trading Ltd Jbara Bldg. 3Flr. Al Rasheed St., Baghdad, Iraq	dewalt.service@yahoo.com	Tel: 964-18184102
<b>Jordan</b>	Amman West Stores-Bashiti 210 Garden St. Tla'a Ali, P.O. Box 1564 Tla Ali Amman 11953, Jordan	ali@bashitstores.com yousef@bashitstores.com	Tel: 962-6-5350009 Fax: 962-6-5350012
<b>Kenya</b>	Dextron Tools Ltd. P.O. Box 20121-00200, Shariff House, Kimathi Street, Nairobi	info@alibhaishariff.co.ke dextron@alibhaishariff.co.ke	Tel: 254-20-6905000 254-20-2358021 Fax: 254-20-6905111 / 254-20-6905112
<b>Lebanon</b>	Est. Shaya & Azar S.A.R.L. Boulevard Jdeideh - Mar Takla - Bouchrieh . P.O. Box 90545, Jdeideh. Beirut - Lebanon	shayazar@dm.net.lb	Tel: 961 1 872305 961 1 872306 Fax: 961 1 872303
<b>Libya</b>	North Africa Trading ( El Ghoul Brothers) P.O. Box 348, 7 October Street 11 Benghazi	maryam_farooq2003@yahoo.com nagte@eim.ae dewalt_libya@yahoo.com	Tel: 218-061-3383994 Fax: 218-092-7640688
	North Africa Trading ( El Ghoul Brothers) AlBarniq DeWALT Center, Mokhazin-elsukar St. ElFallah, Tripoli	dewalt_libya@yahoo.com	Tel: 218-021-3606430 Fax: 218-092-6514813
	North Africa Trading ( El Ghoul Brothers) AlHilal Service Center Tawergha St., Misurata		Tel: 218-091-3221408
<b>Mauritius</b>	Robert Le Marie Limited Old Moka Road, Bell Village, P.O. Box 161, Port Louis	a.blackburn.rm@rmgroup.mu jm.pierrelouis.rm@rmgroup.mu	Tel: 230-212 1865 230-212 2847 Fax: 230-2080843
<b>Morocco</b>	Ets Louis Guillaud & Cie 31, Rue Pierre Parent, Casablanca - 21000	boumadiane.azedine@elg.ma doukkail.marouane@elg.ma	Tel: 522-301446 / 305971 / 317815 / 315576 Fax: 522-444518 / 317888
<b>Nigeria</b>	Meridian Power Tools Ltd. Gr. Floor, #1 Alhaji Masha Rd, Next to Teslim Balogun Stadium, Near National Stadium Surulere, Lagos, Nigeria	braj@meridian-nigeria.com	Tel: 234-1-7740431 234-1-7740410 Fax: 234-1-7913798
<b>Pakistan</b>	Northern Toolings (Pvt) Ltd.-Lahore 86- Railway Road, Lahore - 7 Pakistan	zhayee@northern.pk import@northern.pk sales@northern.pk	Tel: 92-423-7651220 92-423-7641675 Fax: 92-423-7641674
	Northern Toolings (Pvt) Ltd.-Karachi 224-231 Industrial Town Plaza, Shahrah-e-Liaqat, Karachi, Pakistan	karachibr@northern.pk	Tel: 92-213-2465305 92-213-2465307 Fax: 92-213-2465301
	Northern Toolings (Pvt) Ltd.-Taxila Al-Rehman Plaza, Opposite Tehsil Court, Faisal Shaheed Road, Taxila	taxilabr@northern.pk	Tel: 92-51-4545811 Fax: 92-51-4544194
<b>South Africa</b>	Benray Tool Wholesalers C.C. 91 Turfontein Road, Stafford, Johannesburg, 2001 P.O. Box 260037 EXCOM 2023, South Africa	dewaltservice@benray.co.za zain@benray.co.za shafiq@benray.co.za	Tel: 27-11-6838350 Fax: 27-11-6837456
<b>Tanzania</b>	General Motors Investment Ltd. 14 Vingunguti-Nyerere Road, P.O.Box 16541, Dar es Salaam, Tanzania	ezra@gmi-tz.com info@gmi-tz.com chiwelesa@yahoo.com	Tel: 255-22-2865022 / 2862661 / 2862671 / 2862659 Fax: 255-22-2862667
<b>Tunisia</b>	Ets. Mohamed Ghorbel 03 Rue 8603 Chargaia I Tunis. Postal Code 2035	slim.ghorbel@gnet.tn moh.ghorbel@gnet.tn mourad.ghorbel@gnet.tn	Tel: 216-71794248 216-71793848 Fax: 216-71770759
<b>Uganda</b>	The Building Center (u) Ltd. 52 Station Road, Kitgum House, P.O. Box 7436 Kampala, Uganda	tbc@africaonline.co.ug chris@tbcu.co.ug	Tel: 256-041-4234567 256-041-4259754 Fax: 256-041-4236413
<b>Yemen</b>	Middle East Trading Co. (METCO) 5th Flr.Hayel Saeed Anam Bldg. Al-Mugamma St. Taiz, Yemen	tamer.metco@gmail.com tamer@metcotrading.com metco@metcotrading.com sami@metcotrading.com	Tel: 967-4-213455 Fax: 967-4-219869
	Middle East Trading Co. (METCO) Mualla Dakka, Aden	tamer.metco@gmail.com tamer@metcotrading.com metco@metcotrading.com	Tel: 967-2-222670 Fax: 967-2-222670
	Middle East Trading Co. (METCO) Hayel st., Sana'a, Yemen	tamer.metco@gmail.com tamer@metcotrading.com metco@metcotrading.com	Tel: 967-1-204201 Fax: 967-1-204204

<b>UAE</b>	Black & Decker (Overseas) GmbH P.O. Box 5420, Dubai	service.me@blackdecker.com	Tel: 971-4 8127400 / 8127406 Fax: 971-4 2822765	
	Ideal Star Workshop Eqpt. Trading LLC P.O. Box 37116, Al Quoz, Dubai	idealeq@emirates.net.ae	Tel: 971-4 3474160 Fax: 971-4 3474157	
	Alebrah Engineering Service P.O. Box 78954, Al Qusais, Dubai	alebrah@eim.ae	Tel: 971-4 2850044 Fax: 971-4 2844802	
	Burj Al Madeena Industrial Area No. 1, opp. Pakistani Masjid P.O. Box 37635, Sharjah	dewaltuae@hotmail.com	Tel: 971-6 5337747 Fax: 971-6 5337719	
	McCoy Middle East LLC P.O. Box 25793, Sharjah	mccoy@emirates.net.ae	Tel: 971-6 5395931 Fax: 971-6 5395932	
	McCoy Middle East LLC P.O. Box 10584, Ras Al Khaimah	mccoyrak@gmail.com	Tel: 971-7 2277095 Fax: 971-7 2277096	
	Al Sukoon Gen. Trdg. Co. LLC P.O. Box 2975, Ajman	sukoon@eim.ae	Tel: 971-6 7435725 / 7438317 Fax: 971-6 7437350	
	Zillion Equipment and Spare Parts Trading LLC P.O. Box 19740, opp. Bin Sadal / Trimix Redymix Sanaiya, Al Ain	zilliontrdg@gmail.com	Tel: 971-3 7216690 Fax: 971-3 7216103	
	Light House Electrical, Abu Dhabi Branch P.O. Box 120, Abu Dhabi	dewalt_lhe@hotmail.com	Tel: 971-2 6726131 Fax: 971-2 6720667	
	Light House Electrical, Musaffah Branch P.O. Box 120, Abu Dhabi	dewalt_lhe@hotmail.com	Tel: 971-2 5548315 Fax: 971-2 5540461	
	<b>Bahrain</b>	Alfouz Services Co. WLL P.O. Box 26562, Tubli, Manama	alfouz@batelco.com.bh	Tel: 973 17783562 / 17879987 Fax: 973 17783479
		Kavalani & Sons W.L.L. P.O. Box 71, Sitra, Manama	info@kavalani.com pradeep@kavalani.com	Tel: 973 17732888 Fax: 973 17737379
		<b>Kuwait</b>	Al Omar Technical Co. P.O. Box 4062, Safat 13041, Kuwait	alexotc@usa.net
	Fawaz Al Zayani Establishment P.O. Box 42426, Shop No.18, Al Hurnaizi Commercial Complex, Khalifa Al Jassim, Shuwaikh		dewaltkuwait@hotmail.com	Tel: 965 24828710 Fax: 965 24828716
Fawaz Al Zayani Establishment Fahaheel Industrial Area, Main St., Sanaya	dewaltkuwait@hotmail.com		Tel: 965 23925830 Fax: 965 24828716	
<b>Oman</b>	Al Jizzi Company LLC P.O. Box 1704, P.C. 112, Ruwi	aljizied@omantel.net.om jizzi10@omantel.net.om	Tel: 968 24832618 / 24835153 Fax: 968 24831334 / 24836460	
	Al Hassan Technical & Construction Supplies Co. LLC P.O. Box 1948, P.C. 112, Ruwi	hamriya.sr@al-hassan.com abrar.h@al-hassan.com	Tel: 968 24810575 / 24837054 Fax: 968 24810287 / 24833080	
	Oman Hardware Co. LLC P.O. Box 635, Ruwi Postal Code 112	omanhard@omantel.net.om	Tel: 968 24815131 Fax: 968 24816491	
	Khimji Ramdas P.O. Box 19, Post Code 100, Ghala, Muscat	bilal.m@khimjiramdas.com	Tel: 968 24595906/ 907 Fax: 968 24852752	
	<b>Qatar</b>	Teyseer Industrial Supplies & Services Co. WLL 55, Al Wakalat St. (Between St. 18 & 19) Salwa Industrial Area, P.O. Box 40523 Doha	manish@tissco-qatar.com tool.service@tissco-qatar.com	Tel: 974 4581536 Fax: 974 4682024
Shaheen Electrical Works & Trading Co. WLL Gate 34, St. 44 Industrial Area P.O. Box 9756, Doha		shaheenelc@gmail.com	Tel: 974 460 02 30 / 460 05 25 Fax: 974 460 13 38	
<b>KSA</b>		Industrial Material Organization (IMO) P.O. Box 623, Rail Street, Riyadh	service@imo.com.sa	Tel: 966-1 4028010 Ext. 26 Tel: 966-1 8001245757 Fax: 966-1 4037970
	Fawaz Ebrahim Al Zayani Trading Est. P.O. Box 76026, Al Raka : 31952	dewaltdammam@hotmail.com	Tel: 966-3 8140914 Fax: 966-3 8140824	
	MSS (Al-Mojil Supply & Services) P.O. Box 450, Jubail 31951	mssjubail@almojilservices.com alex.chang@almojilservices.com	Tel: 966-3 3612850 / 3624487 Tel: 966-3 3621729 Fax: 966-3 3623589 / 3620783	
	Opp-Gulf Bridge Library & Riyadh House			
	EAC (Al Yousef Contg. & Trdg. Est.) P.O. Box 30377, Jeddah -21477	golamkibria77@yahoo.com	Tel: 966-2 6519912 Fax: 966-2 6511153	
	Mohamed Ahmed Bin Aff Est. P.O. Box 530, Yanbu, Al Bahr	binaffyanbu@hotmail.com	Tel: 966-4 3222626 / 3228867 Fax: 966-4 3222210	
	Garziz Trading for Bldg Mat & Decoration P.O. Box 3364, Madina	agarziz@yahoo.com	Tel: 966-4 826 14 90 / 822 76 36 Fax: 966-4 826 57 41	
	Sultan Garment Factory (RSC) P.O. Box 29912, Riyadh 11467	rscservice@digl.net.sa	Tel: 966-1 4055148 / 4042889 Fax: 966-1 4055148	
	Al Bawardi Tools & Hardware P.O. Box 112, Dammam 31411	asattar@albawardi.com nibanez@albawardi.com	Tel: 966-3 8330780 Ext. 24 Tel: 966-3 8348585 Ext. 24 Fax: 966-3 8336303	
	Al Bawardi Tools & Hardware P.O. Box 68, Riyadh 11411	rbaltao@albawardi.com asamad@albawardi.com	Tel: 966-1 4484999 Fax: 966-3 4487877	
	Al Bawardi Tools & Hardware P.O. Box 16905, Jeddah 21474	sharadj@albawardi.com fgaber@albawardi.com	Tel: 966-2 6444547 / 6439035 Tel: 966-2 6456095 Fax: 966-2 6439024	