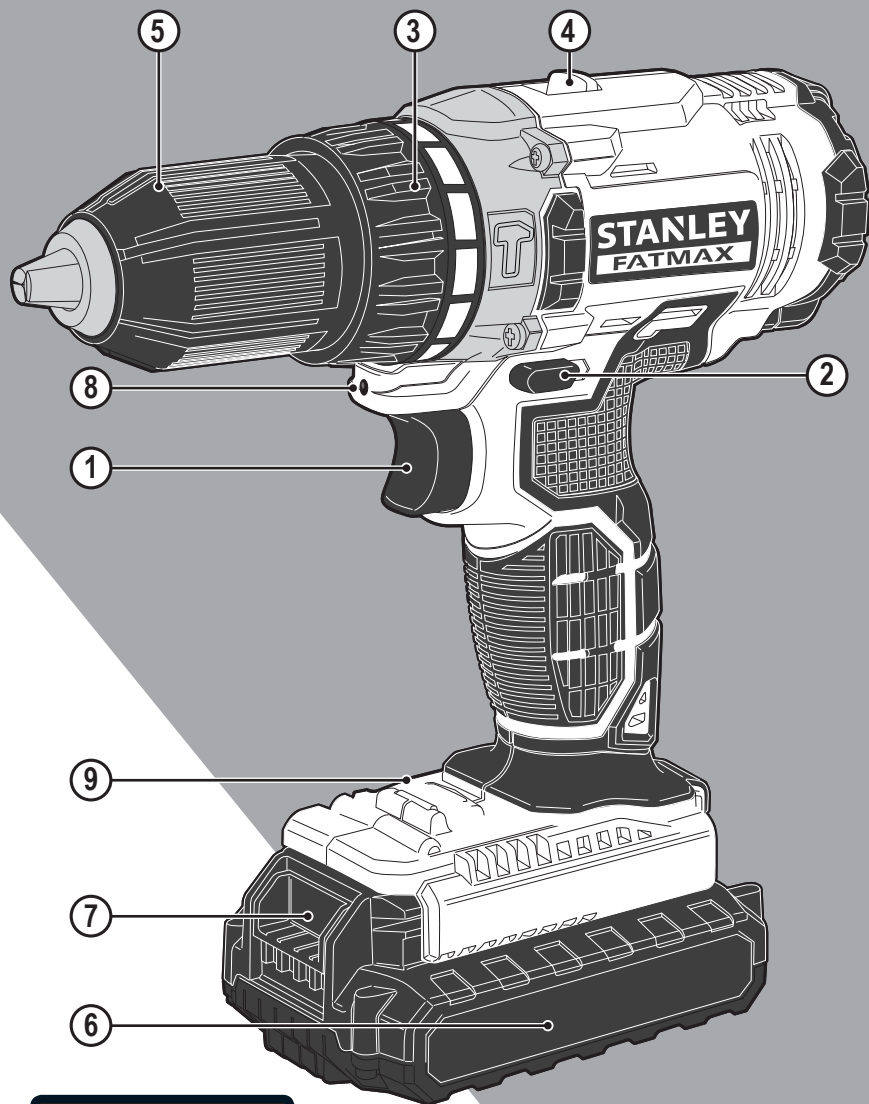


STANLEY®

FATMAX®



www.stanley.eu

FMC626

EN

DE

FR

IT

NL

ES

PT

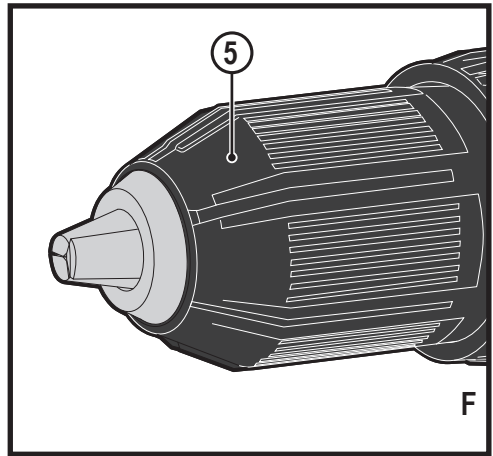
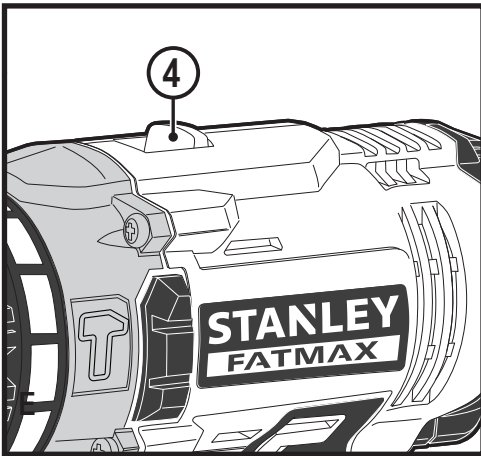
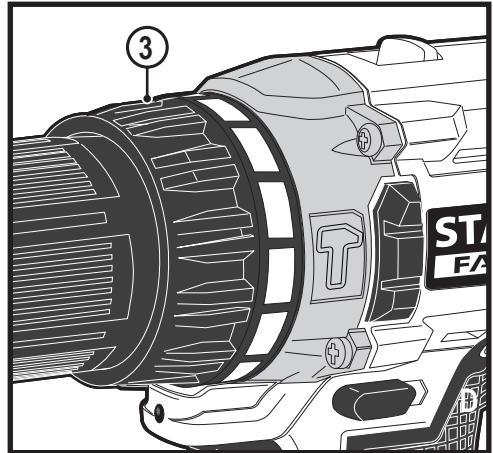
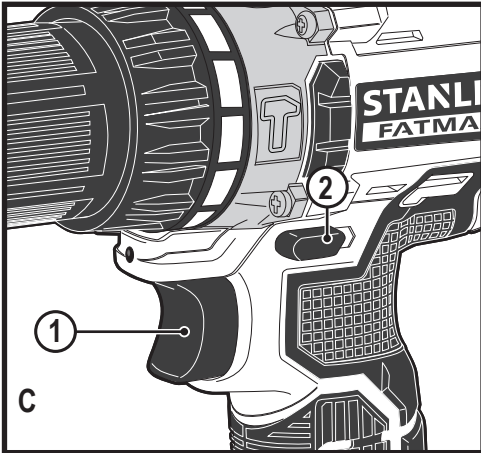
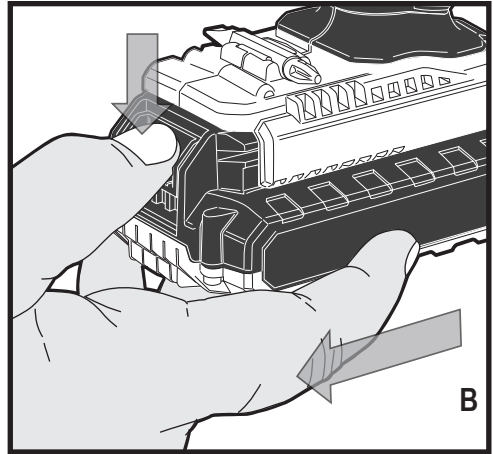
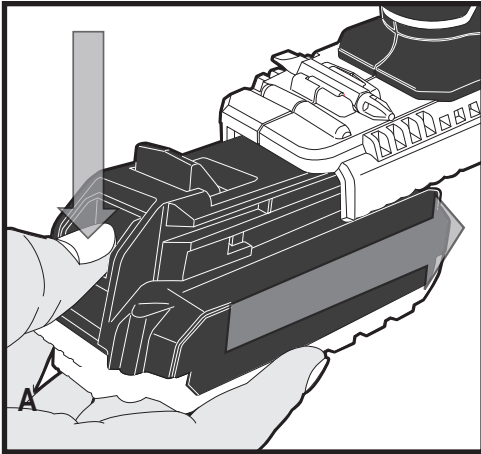
SV

NO

DK

FI

EL



Intended use

Your Stanley Fat Max FMC626 drill/screwdriver has been designed for screwdriving applications and for drilling in wood, metal, plastics and soft masonry. This appliance is intended for professional and private, non professional users.

Safety instructions

General power tool safety warnings



Warning! Read all safety warnings and all instructions. Failure to follow the warnings and instructions listed below may result in electric shock, fire and/or serious injury.

Save all warnings and instructions for future reference.

The term "power tool" in all of the warnings listed below refers to your mains operated (corded) power tool or battery operated (cordless) power tool.

1. Work area safety

- a. **Keep work area clean and well lit.** Cluttered or dark areas invite accidents.
- b. **Do not operate power tools in explosive atmospheres, such as in the presence of flammable liquids, gases or dust.** Power tools create sparks which may ignite the dust or fumes.
- c. **Keep children and bystanders away while operating a power tool.** Distractions can cause you to lose control.

2. Electrical safety

- a. **Power tool plugs must match the outlet. Never modify the plug in any way. Do not use any adapter plugs with earthed (grounded) power tools.** Unmodified plugs and matching outlets will reduce risk of electric shock.
- b. **Avoid body contact with earthed or grounded surfaces such as pipes, radiators, ranges and refrigerators.** There is an increased risk of electric shock if your body is earthed or grounded.
- c. **Do not expose power tools to rain or wet conditions.** Water entering a power tool will increase the risk of electric shock.
- d. **Do not abuse the cord. Never use the cord for carrying, pulling or unplugging the power tool. Keep cord away from heat, oil, sharp edges or moving parts.** Damaged or entangled cords increase the risk of electric shock.
- e. **When operating a power tool outdoors, use an extension cord suitable for outdoor use.** Use of a cord suitable for outdoor use reduces the risk of electric shock.
- f. **If operating a power tool in a damp location is unavoidable, use a residual current device (RCD)**

protected supply. Use of an RCD reduces the risk of electric shock.

3. Personal safety

- a. **Stay alert, watch what you are doing and use common sense when operating a power tool. Do not use a power tool while you are tired or under the influence of drugs, alcohol or medication.** A moment of inattention while operating power tools may result in serious personal injury.
 - b. **Use personal protective equipment. Always wear eye protection.** Protective equipment such as dust mask, non-skid safety shoes, hard hat, or hearing protection used for appropriate conditions will reduce personal injuries.
 - c. **Prevent unintentional starting. Ensure the switch is in the off-position before connecting to power source and/or battery pack, picking up or carrying the tool.** Carrying power tools with your finger on the switch or energising power tools that have the switch on invites accidents.
 - d. **Remove any adjusting key or wrench before turning the power tool on.** A wrench or a key left attached to a rotating part of the power tool may result in personal injury.
 - e. **Do not overreach. Keep proper footing and balance at all times.** This enables better control of the power tool in unexpected situations.
 - f. **Dress properly. Do not wear loose clothing or jewellery. Keep your hair, clothing and gloves away from moving parts.** Loose clothes, jewellery or long hair can be caught in moving parts.
 - g. **If devices are provided for the connection of dust extraction and collection facilities, ensure these are connected and properly used.** Use of dust collection can reduce dust-related hazards.
- #### 4. Power tool use and care
- a. **Do not force the power tool. Use the correct power tool for your application.** The correct power tool will do the job better and safer at the rate for which it was designed.
 - b. **Do not use the power tool if the switch does not turn it on and off.** Any power tool that cannot be controlled with the switch is dangerous and must be repaired.
 - c. **Disconnect the plug from the power source and/or the battery pack from the power tool before making any adjustments, changing accessories, or storing power tools.** Such preventive safety measures reduce the risk of starting the power tool accidentally.
 - d. **Store idle power tools out of the reach of children and do not allow persons unfamiliar with the power tool or these instructions to operate the power tool.** Power tools are dangerous in the hands of untrained users.

- e. **Maintain power tools. Check for misalignment or binding of moving parts, breakage of parts and any other condition that may affect the power tools operation. If damaged, have the power tool repaired before use.** Many accidents are caused by poorly maintained power tools.
 - f. **Keep cutting tools sharp and clean.** Properly maintained cutting tools with sharp cutting edges are less likely to bind and are easier to control.
 - g. **Use the power tool, accessories and tool bits etc. in accordance with these instructions, taking into account the working conditions and the work to be performed.** Use of the power tool for operations different from those intended could result in a hazardous situation.
- 5. Battery tool use and care**
- a. **Recharge only with the charger specified by the manufacturer.** A charger that is suitable for one type of battery pack may create a risk of fire when used with another battery pack.
 - b. **Use power tools only with specifically designated battery packs.** Use of any other battery packs may create a risk of injury and fire.
 - c. **When battery pack is not in use, keep it away from other metal objects, like paper clips, coins, keys, nails, screws, or other small metal objects, that can make a connection from one terminal to another.** Shorting the battery terminals together may cause burns or a fire.
 - d. **Under abusive conditions, liquid may be ejected from the battery; avoid contact. If contact accidentally occurs, flush with water. If liquid contacts eyes, additionally seek medical help.** Liquid ejected from the battery may cause irritation or burns.
- 6. Service**
- a. **Have your power tool serviced by a qualified repair person using only identical replacement parts.** This will ensure that the safety of the power tool is maintained.

Additional power tool safety warnings



Warning! Additional safety warnings for drills/screwdrivers

- ◆ **Use auxiliary handles supplied with the tool.** Loss of control can cause personal injury.
- ◆ **Hold power tool by insulated gripping surfaces when performing an operation where the cutting accessory may contact hidden wiring.** Cutting accessory contacting a "live" wire may make exposed metal parts of the power tool "live" and could give the operator an electric shock.

- ◆ **Hold power tool by insulated gripping surfaces, when performing an operation where the fastener may contact hidden wiring.** Fasteners contacting a "live" wire may make exposed metal parts of the power tool "live" and could give the operator an electric shock.
- ◆ **Use clamps or another practical way to secure and support the workpiece to a stable platform.** Holding the work by hand or against your body leaves it unstable and may lead to loss of control.
- ◆ Before drilling into walls, floors or ceilings, check for the location of wiring and pipes.
- ◆ Avoid touching the tip of a drill bit just after drilling, as it may be hot.
- ◆ The intended use is described in this instruction manual. The use of any accessory or attachment or performance of any operation with this tool other than those recommended in this instruction manual may present a risk of personal injury and/or damage to property.

Safety of others

- ◆ This tool is not intended for use by persons (including children) with reduced physical, sensory or mental capabilities, or lack of experience and knowledge, unless they have been given supervision or instruction concerning use of the tool by a person responsible for their safety.
- ◆ Children should be supervised to ensure that they do not play with the appliance.

Residual risks

Additional residual risks may arise when using the tool which may not be included in the enclosed safety warnings. These risks can arise from misuse, prolonged use etc.

Even with the application of the relevant safety regulations and the implementation of safety devices, certain residual risks can not be avoided. These include:

- ◆ Injuries caused by touching any rotating/moving parts.
- ◆ Injuries caused when changing any parts, blades or accessories.
- ◆ Injuries caused by prolonged use of a tool. When using any tool for prolonged periods ensure you take regular breaks.
- ◆ Impairment of hearing.
- ◆ Health hazards caused by breathing dust developed when using your tool (example:- working with wood, especially oak, beech and MDF.)

Vibration

The declared vibration emission values stated in the technical data and the declaration of conformity have been measured in accordance with a standard test method provided by EN 60745 and may be used for comparing one tool with another. The declared vibration emission value may also be used in a preliminary assessment of exposure.

Warning! The vibration emission value during actual use of the power tool can differ from the declared value depending on the ways in which the tool is used. The vibration level may increase above the level stated.

When assessing vibration exposure to determine safety measures required by 2002/44/EC to protect persons regularly using power tools in employment, an estimation of vibration exposure should consider, the actual conditions of use and the way the tool is used, including taking account of all parts of the operating cycle such as the times when the tool is switched off and when it is running idle in addition to the trigger time.

Labels on tool

The following symbols are shown on the tool along with the date code:



Warning! To reduce the risk of injury, the user must read the instruction manual.



Wear ear protectors with impact drills. Exposure to noise can cause hearing loss.

Additional safety instructions for batteries and chargers (Not provided with the tool)

Batteries

- ◆ Never attempt to open for any reason.
- ◆ Do not expose the battery to water.
- ◆ Do not store in locations where the temperature may exceed 40 °C.
- ◆ Charge only at ambient temperatures between 10 °C and 40 °C.
- ◆ Charge only using the charger provided with the tool.
- ◆ When disposing of batteries, follow the instructions given in the section "Protecting the environment".



Do not attempt to charge damaged batteries.

Chargers

- ◆ Use your Stanley Fat Max charger only to charge the battery in the tool with which it was supplied. Other batteries could burst, causing personal injury and damage.
- ◆ Never attempt to charge non-rechargeable batteries.
- ◆ Have defective cords replaced immediately.
- ◆ Do not expose the charger to water.
- ◆ Do not open the charger.
- ◆ Do not probe the charger.



The charger is intended for indoor use only.



Read the instruction manual before use.

Electrical safety



Your charger is double insulated; therefore no earth wire is required. Always check that the mains voltage corresponds to the voltage on the rating plate. Never attempt to replace the charger unit with a regular mains plug.

- ◆ If the supply cord is damaged, it must be replaced by the manufacturer or an authorised Stanley Fat Max Service Centre in order to avoid a hazard.

Features

This appliance includes some or all of the following features.

1. Trigger Switch
2. Forward/Reverse Button
3. Torque Adjust Collar
4. Dual Range Gear Selector
5. Keyless Chuck
6. Battery
7. Battery Release Button
8. LED Work Light
9. Bit Tip Holder

Use

Warning! Let the tool work at its own pace.

Do not overload.

Charging the battery

The battery needs to be charged before first use and whenever it fails to produce sufficient power on jobs that were easily done before. The battery may become warm while charging; this is normal and does not indicate a problem.

Warning! Do not charge the battery at ambient temperatures below 10 °C or above 40 °C. Recommended charging temperature: approx. 24 °C.

Note: The charger will not charge a battery if the cell temperature is below approximately 10 °C or above 40 °C.

The battery should be left in the charger and the charger will begin to charge automatically when the cell temperature warms up or cools down.

- ◆ Plug the charger into an appropriate outlet before inserting the battery pack.
- ◆ Insert the battery pack into the charger.



The green LED will flash indicating that the battery is being charged.



The completion of charge is indicated by the green LED remaining on continuously. The pack is fully charged and may be used at this time or left in the charger.

Warning! Recharge discharged batteries as soon as possible after use or battery life may be greatly diminished.

Charger diagnostics

This charger is designed to detect certain problems that can arise with the battery packs or the power source. Problems are indicated by one LED flashing in different patterns.

Bad Battery



The charger can detect a weak or damaged battery. The red LED flashes in the pattern indicated on the label. If you see this bad battery blink pattern, do not continue to charge the battery. Return it to a service centre or a collection site for recycling.

Hot/Cold Pack Delay



When the charger detects a battery that is excessively hot or excessively cold, it automatically starts a Hot/Cold Pack delay, suspending charging until the battery has normalised. After this happens, the charger automatically switches to the Pack Charging mode. This feature ensures maximum battery life. The red LED flashes in the pattern indicated on the label when the Hot/Cold pack delay is detected.

Problem Power Line



When the charger is used with some portable power sources such as generators or sources that convert DC to AC, the charger may temporarily suspend operation. The LED flashes in the pattern indicated on the label. This indicates that the power source is out of limits.

Leaving the battery in the charger

The charger and battery pack can be left connected with the LED glowing indefinitely. The charger will keep the battery pack fresh and fully charged.

Important charging Notes

- ◆ Longest life and best performance can be obtained if the battery pack is charged when the air temperature is between 65°F and 75°F (18° - 24°C). DO NOT charge the battery pack in an air temperature below +40°F (+4.5°C), or above +105°F (+40.5°C). This is important and will prevent serious damage to the battery pack.
- ◆ The charger and battery pack may become warm to touch while charging. This is a normal condition, and does not indicate a problem. To facilitate the cooling of the battery pack after use, avoid placing the charger or battery pack in a warm environment such as in a metal shed, or an uninsulated trailer.
- ◆ If the battery pack does not charge properly:
 - ◆ Check current at receptacle by plugging in a lamp or other appliance.
 - ◆ Check to see if receptacle is connected to a light switch which turns power off when you turn out the lights.
 - ◆ Move charger and battery pack to a location where the surrounding air temperature is approximately 65°F - 75°F (18° - 24°C). d. If charging problems persist, take the tool, battery pack and charger to your local Stanley Fat Max service center.
- ◆ The battery pack should be recharged when it fails to produce sufficient power on jobs which were easily done previously.
- ◆ DO NOT CONTINUE to use under these conditions. Follow the charging procedure.
- ◆ You may also charge a partially used pack whenever you desire with no adverse affect on the battery pack.

Installing and Removing the Battery Pack from the tool

Warning! Make certain the lock-off button is engaged to prevent switch actuation before removing or installing battery.

To install battery pack

- ◆ Insert battery pack firmly into tool until an audible click is heard as shown in figure A. Ensure battery pack is fully seated and fully latched into position.

To remove battery pack

- ◆ Depress the battery release button (7) as shown in figure B and pull battery pack out of tool.

Trigger switch & forward/reverse button - figure C

- ◆ The drill is turned ON and OFF by pulling and releasing the trigger switch (1) shown in figure C. The farther the trigger is depressed, the higher the speed of the drill.
- ◆ A forward/reverse control button (2) determines the rotational direction of the tool and also serves as a lock off button.
- ◆ To select forward rotation, release the trigger switch and depress the forward/reverse control button on the right side of the tool.
- ◆ To select reverse, depress the forward/reverse control button on the left side of the tool.
- ◆ The center position of the control button locks the tool in the off position. When changing the position of the control button, be sure the trigger is released.

Adjusting torque control - figure D

This tool is fitted with a torque adjustment collar (3) to select the operating mode and to set the torque for tightening screws. Large screws and hard workpiece materials require a higher torque setting than small screws and soft workpiece materials.

- ◆ For drilling in wood, metal and plastics, set the collar to the drilling position symbol.
- ◆ For screwdriving, set the collar to the desired setting. If you do not yet know the appropriate setting, proceed as follows:
 - ◆ Set the collar to the lowest torque setting.
 - ◆ Tighten the first screw.
 - ◆ If the clutch ratchets before the desired result is achieved, increase the collar setting and continue tightening the screw.
 - ◆ Repeat until you reach the correct setting.
 - ◆ Use this setting for the remaining screws.

Dual range switch - figure E

The dual range feature of your drill allows you to shift gears for greater versatility.

- ◆ To select low speed, high torque setting (position 1), turn tool off and permit to stop. Slide gear shifter button (4) away from the chuck.
- ◆ To select the high speed, low torque setting (position 2), turn tool off and permit to stop. Slide gear shifter button back toward the chuck.

Note: Do not change gears when tool is running. If you are having trouble changing gears, make sure that the dual range gear button is either completely pushed forward or completely pushed back.

keyless chuck - figure F

Warning! Make certain the battery pack is removed to prevent tool actuation before installing or removing accessories.

To insert a drill bit or other accessory:

- ◆ Grasp the chuck (5) and rotate it in the counterclockwise direction, as viewed from the chuck end.
- ◆ Insert the bit or other accessory fully into the chuck, and tighten securely by rotating the chuck in the clockwise direction as viewed from the chuck end.

Warning! Do not attempt to tighten or loosen drill bits (or any other accessory) by gripping the front part of the chuck and turning the tool on. Damage to the chuck and personal injury may occur when changing accessories.

Screw driving

- ◆ For driving fasteners, the forward/reverse button should be pushed to the left.
- ◆ Use reverse (button pushed to the right) for removing fasteners.

Note: When moving from forward to reverse, or vice versa, always release the trigger switch first.

Drilling

- ◆ Use sharp drill bits only.
- ◆ Support and secure work properly, as instructed in the Safety Instructions.
- ◆ Use appropriate and required safety equipment, as instructed in the Safety Instructions.
- ◆ Secure and maintain work area, as instructed in the Safety Instructions.
- ◆ Run the drill very slowly, using light pressure, until the hole is started enough to keep the drill bit from slipping out of it.
- ◆ Apply pressure in a straight line with the bit. Use enough pressure to keep the bit biting but not so much as to stall the motor or deflect the bit.
- ◆ Hold the drill firmly with two hands, one hand on the handle, and the other gripping the bottom around the battery area or the auxiliary handle if provided.
- ◆ **DO NOT CLICK THE TRIGGER OF A STALLED DRILL OFF AND ON IN AN ATTEMPT TO START IT. DAMAGE TO THE DRILL CAN RESULT.**
- ◆ Minimize stalling on breakthrough by reducing pressure and slowly drilling through the last part of the hole.
- ◆ Keep the motor running while pulling the bit out of a drilled hole. This will help reduce jamming.
- ◆ Make sure switch turns drill on and off.

Drilling in wood

Holes in wood can be made with the same twist drill bits used for metal or with spade bits. These bits should be sharp and should be pulled out frequently when drilling to clear chips from the flutes.

Drilling in metal

Use a cutting lubricant when drilling metals. The exceptions are cast iron and brass which should be drilled dry. The cutting lubricants that work best are sulphurized cutting oil.

Drilling in masonry

For drilling in masonry, set the collar (3) to the hammer drilling position by aligning the symbol with the marking. Use carbide tipped masonry bits. Refer to Drilling section. Keep even force on the drill but not so much that you crack the brittle material. A smooth, even flow of dust indicates the proper drilling rate.

LED work light

When drill is activated by pulling the trigger switch (1), the integrated LED work light (8) will automatically illuminate the work area.

Note: The work light is for lighting the immediate work surface and is not intended to be used as a flashlight.

Bit tip storage

A bit storage slot (9) is built into the base of the tool.

Troubleshooting

Problem	Possible cause	Possible solution
Unit will not start.	Battery pack not installed properly.	Check battery pack installation.
	Battery pack not charged.	Check battery pack charging requirements
Unit starts immediately upon inserting battery	The switch has been left in the "on" position.	The switch must be moved to "off" to prevent the tool from immediately starting when battery is inserted.
Battery pack will not charge.	Battery pack not inserted into charger.	Insert battery pack into charger until LED lights.
	Charger not plugged in.	Plug charger into a working outlet.
	Surrounding air temperature too hot or too cold.	Move charger and battery pack to a surrounding air temperature of above 40 degrees F (45°C) or below 105 degrees F (+40.5°C)
Unit shuts off abruptly.	Battery pack has reached its maximum thermal limit.	Allow battery pack to cool down.
	Out of charge. (To maximize the life of the battery pack it is designed to shut off abruptly when the charge is depleted)	Place on charger and allow to charge.

Maintenance

Your Stanley Fat Max tool has been designed to operate over a long period of time with a minimum of maintenance. Continuous satisfactory operation depends upon proper tool care and regular cleaning.

Your charger does not require any maintenance apart from regular cleaning.

Warning! Before performing any maintenance on the tool, remove the battery from the tool. Unplug the charger before cleaning it.

- ◆ Regularly clean the ventilation slots in your tool and charger using a soft brush or dry cloth.
- ◆ Regularly clean the motor housing using a damp cloth. Do not use any abrasive or solvent-based cleaner.
- ◆ Regularly open the chuck and tap it to remove any dust from the interior.

Protecting the environment



Separate collection. Products and batteries marked with this symbol must not be disposed of with normal household waste.

Products and batteries contain materials that can be recovered or recycled reducing the demand for raw materials. Please recycle electrical products and batteries according to local provisions. Further information is available at www.2helpU.com.

Technical data

		FMC626		
Voltage	V _{DC}		18V	
No-load speed	Min ⁻¹		0-350/0-1500	
Max. torque	Nm		47	
Chuck capacity	mm		13	
Max Drilling capacity				
Steel/wood/masonry	mm		13/35/13	
Weight	kg		1.2	
Charger		905998**	906086**	90636454
Input voltage	V _{AC}	230	230	230
Output voltage	V _{DC}	18	18	18
Current	mA	1000	2000	1000
Approx. charge time	Mins	80-240	40-120	80-240

Battery	FMC685L	FMC687L	FMC684L	FMC688L
Voltage	V _{AC} 18	18	18	18
Capacity	Ah 1.5	2.0	1.3	4.0
Type	Li-Ion	Li-Ion	Li-Ion	Li-Ion

Level of sound pressure according to EN 60745:

 Sound pressure (L_{pA}) 87.0 dB(A), uncertainty (K) 3 dB(A)

 Sound power (L_{WA}) 98.0 dB(A), uncertainty (K) 3 dB(A)

Vibration total values (triax vector sum) according to EN 60745:

 Drilling into metal ($a_{h,D}$) <2.5 m/s², uncertainty (K) 1.5 m/s²

 Impact drilling ($a_{h,D}$) 14.9 m/s², uncertainty (K) 1.5 m/s²

 Screwdriving without impact ($a_{h,i}$) <2.5 m/s², uncertainty (K) 1.5 m/s²

EC declaration of conformity

MACHINERY DIRECTIVE



FMC626 - Cordless hammer drill

Stanley Fat Max declares that these products described under

"technical data" are in compliance with:

 2006/42/EC, EN60745-1:2009+A11:2010 EN60745-2-1:2010
 EN60745-2-2:2010

 These products also comply with Directive 2004/108/EC
 (until 19/04/2016)
 2014/30/EU (from 20/04/2016)
 and 2011/65/EU.

 For more information, please contact Stanley Fat Max at the
 following address or refer to the back of the manual.

 The undersigned is responsible for compilation of the technical file and makes this declaration on behalf of
 Stanley Fat Max.

R. Laverick

Engineering Manager

Stanley Fat Max Europe, Egide Walschaertsstraat14-18,

2800 Mechelen, Belgium

19/12/2017

Guarantee

Stanley Fat Max is confident of the quality of its products and offers consumers a 12 month guarantee from the date of purchase. This guarantee is in addition to and in no way prejudices your statutory rights. The guarantee is valid within the territories of the Member States of the European Union and the European Free Trade Area.

 To claim on the guarantee, the claim must be in accordance with Stanley Fat Max Terms and Conditions and you will need to submit proof of purchase to the seller or an authorised repair agent. Terms and conditions of the Stanley Fat Max 1 year guarantee and the location of your nearest authorised repair agent can be obtained on the Internet at www.2helpU.com, or by contacting your local Stanley Fat Max office at the address indicated in this manual.

 Please visit our website www.stanley.eu/3 to register your new Stanley Fat Max product and receive updates on new products and special offers

Verwendungszweck

Ihr Stanley Fat Max FMC626 Akku-Bohrschrauber ist für Schraub- und Bohrarbeiten in Holz, Metall, Kunststoff und weichem Mauerwerk ausgelegt. Dieses Gerät ist zum gewerblichen und privaten Einsatz vorgesehen.

Sicherheitshinweise

Allgemeine Sicherheitswarnungen für das Gerät



Warnung! Lesen Sie alle Sicherheitshinweise und alle Anweisungen. Die Nichteinhaltung der folgenden Warnungen und Anweisungen kann einen elektrischen Schlag, Brand und/oder schwere Verletzungen verursachen.

Bewahren Sie alle Sicherheitswarnungen und Anweisungen gut auf.

Der nachfolgend verwendete Begriff "Gerät" bezieht sich auf netzbetriebene Geräte (mit Netzkabel) und auf akkubetriebene Geräte (ohne Netzkabel).

1. Sicherheit im Arbeitsbereich

- Halten Sie Ihren Arbeitsbereich sauber und gut ausgeleuchtet.** Unaufgeräumte oder dunkle Bereiche begünstigen Unfälle.
- Betreiben Sie das Gerät nicht in Umgebungen, in denen Explosionsgefahr. B. aufgrund von brennbaren Flüssigkeiten, Gasen oder Staub besteht.** Geräte erzeugen Funken, die den Staub oder die Dämpfe entzünden können.
- Halten Sie Kinder und andere Personen während der Benutzung eines Geräts fern.** Bei Ablenkung können Sie die Kontrolle verlieren.

2. Elektrische Sicherheit

- Der Netzstecker des Geräts muss in die Steckdose passen. Ändern Sie niemals den Stecker in irgendeiner Form. Verwenden Sie keinerlei Adapterstecker an geerdeten Elektrogeräten.** Unveränderte Stecker und passende Steckdosen mindern die Gefahr eines elektrischen Schlages.
- Vermeiden Sie Körperkontakt mit geerdeten Oberflächen von Rohren, Heizungen, Herden und Kühlschränken.** Es besteht eine erhöhte Gefahr für einen elektrischen Schlag, wenn Ihr Körper geerdet ist.
- Halten Sie Geräte von Regen und Nässe fern.** Das Eindringen von Wasser in ein Gerät erhöht das Risiko eines elektrischen Schlages.
- Verwenden Sie das Kabel ordnungsgemäß. Verwenden Sie es niemals zum Tragen. Trennen Sie das Gerät nicht durch Ziehen am Kabel vom Netz.**

Halten Sie das Kabel fern von Hitze, Öl, scharfen Kanten oder beweglichen Teilen. Beschädigte oder verhedderte Kabel erhöhen die Gefahr eines elektrischen Schlages.

- Verwenden Sie nur für den Außenbereich zugelassene Verlängerungskabel, wenn Sie mit dem Gerät im Freien arbeiten.** Die Verwendung eines für den Außenbereich geeigneten Verlängerungskabels verringert das Risiko eines elektrischen Schlages.
- Wenn das Gerät in einer feuchten Umgebung verwendet werden muss, schließen Sie es unbedingt an eine Steckdose mit Fehlerstromschutzschalter (FI-Schalter) an.** Ein Fehlerstromschutzschalter verringert das Risiko eines elektrischen Schlages.

3. Sicherheit von Personen

- Seien Sie aufmerksam, achten Sie darauf, was Sie tun, und gehen Sie sachgerecht mit einem Gerät um. Benutzen Sie kein Gerät, wenn Sie müde sind oder unter dem Einfluss von Drogen, Alkohol oder Medikamenten stehen.** Ein Moment der Unachtsamkeit beim Betrieb eines Geräts kann zu schweren Verletzungen führen.
- Verwenden Sie eine geeignete Schutzausrüstung. Tragen Sie immer einen Augenschutz.** Das Tragen persönlicher Schutzausrüstung, wie Staubmaske, rutschfeste Sicherheitsschuhe, Schutzhelm oder Gehörschutz, je nach Art und Einsatz des Geräts, verringert das Risiko von Verletzungen.
- Vermeiden Sie eine unbeabsichtigte Inbetriebnahme. Vergewissern Sie sich, dass das Gerät ausgeschaltet ist, bevor Sie es an eine Steckdose oder einen Akku anschließen, es hochheben oder tragen.** Wenn Sie beim Tragen des Geräts den Finger am Schalter haben oder das Gerät eingeschaltet an die Stromversorgung anschließen, kann dies zu Unfällen führen.
- Entfernen Sie Einstell- oder Schraubenschlüssel, bevor Sie das Gerät einschalten.** Werkzeuge oder Schlüssel, die an rotierenden Teilen des Geräts angebracht sind, können zu Verletzungen führen.
- Beugen Sie sich nicht zu weit nach vorne. Sorgen Sie für einen sicheren Stand und halten Sie jederzeit das Gleichgewicht.** Dadurch können Sie das Gerät in unerwarteten Situationen besser kontrollieren.
- Tragen Sie geeignete Kleidung. Tragen Sie keine weite Kleidung und keinen Schmuck. Halten Sie Ihre Haare, Kleidung und Handschuhe von beweglichen Teilen fern.** Lose sitzende Kleidung, Schmuck oder lange Haare können sich in den beweglichen Teilen verfangen.
- Falls Vorrichtungen zum Absaugen oder Auffangen von Staub vorhanden sind, vergewissern Sie sich, dass diese angeschlossen sind und richtig verwendet werden.**

Das Verwenden einer Staubauffangvorrichtung verringert Gefährdungen durch Staub.

4. Gebrauch und Pflege von Geräten

- a. **Überlasten Sie das Gerät nicht. Verwenden Sie das für Ihre Arbeit passende Gerät.** Das richtige Gerät wird die Aufgabe besser und sicherer erledigen, wenn es bestimmungsgemäß verwendet wird.
- b. **Verwenden Sie das Gerät nicht, wenn der Ein-/Ausschalter nicht funktioniert.** Ein Gerät, das sich nicht mehr ein- oder ausschalten lässt, ist gefährlich und muss repariert werden.
- c. **Ziehen Sie den Stecker aus der Steckdose, oder trennen Sie das Gerät vom Akku, bevor Sie Einstellungen vornehmen, Zubehörteile wechseln oder das Gerät lagern.** Diese Vorbeugemaßnahmen mindern die Gefahr, dass das Elektrogerät unbeabsichtigt startet.
- d. **Bewahren Sie unbenutzte Geräte außerhalb der Reichweite von Kindern auf. Lassen Sie Geräte nicht von Personen benutzen, die damit nicht vertraut sind oder diese Anweisungen nicht gelesen haben.** Geräte sind in den Händen nicht geschulter Personen gefährlich.
- e. **Halten Sie das Gerät in einem einwandfreien Zustand. Kontrollieren Sie, ob bewegliche Teile falsch ausgerichtet sind oder klemmen und ob Teile gebrochen oder so beschädigt sind, dass die Funktion des Geräts beeinträchtigt ist. Bei Beschädigungen lassen Sie das Gerät reparieren, bevor Sie es verwenden.** Viele Unfälle entstehen wegen mangelnder Wartung der Geräte.
- f. **Halten Sie Schneidgeräte scharf und sauber.** Richtig gewartete Schneidwerkzeuge mit scharfen Klingen blockieren seltener und sind leichter unter Kontrolle zu halten.
- g. **Verwenden Sie Geräte, Zubehör, Einsätze usw. entsprechend diesen Anweisungen und berücksichtigen Sie dabei die Arbeitsbedingungen und die auszuführende Arbeit.** Der Gebrauch von Geräten für andere als die vorgesehenen Zwecke kann zu gefährlichen Situationen führen.

5. Gebrauch und Pflege von Akkuwerkzeugen

- a. **Laden Sie den Akku nur mit dem vom Hersteller vorgesehenen Ladegerät auf.** Für ein Ladegerät, das nur für eine bestimmte Akkumart geeignet ist, besteht Brandgefahr, wenn es mit anderen Akkus verwendet wird.
- b. **Verwenden Sie nur die für das jeweilige Gerät vorgesehenen Akkus.** Die Verwendung anderer Akkus kann zu Verletzungen oder Bränden führen.

- c. **Bewahren Sie den Akku bei Nichtbenutzung nicht in der Nähe metallischer Objekte wie Büroklammern, Münzen, Schlüsseln, Nägeln oder Schrauben auf, da diese eine Verbindung zwischen beiden Polen des Akkus herstellen können.** Durch den dadurch entstehenden Kurzschluss kann der Akku in Brand geraten.
 - d. **Bei falscher Anwendung kann Flüssigkeit aus dem Akku austreten. Vermeiden Sie den Kontakt damit. Bei unbeabsichtigtem Kontakt mit Wasser abspülen. Gelangt die Flüssigkeit in die Augen, ziehen Sie außerdem ärztliche Hilfe hinzu.** Austretende Akkuflüssigkeit kann zu Hautreizungen oder Verbrennungen führen.
- #### 6. Service
- a. **Lassen Sie das Gerät nur von qualifiziertem Fachpersonal und nur mit Originalersatzteilen reparieren.** Damit wird sichergestellt, dass die Sicherheit des Geräts erhalten bleibt.

Zusätzliche Sicherheitswarnungen für das Gerät



Warnung! Zusätzliche Sicherheitswarnungen für Bohrschrauber

- ◆ **Verwenden Sie die mitgelieferten Zusatzgriffe.** Der Verlust der Kontrolle kann Verletzungen verursachen.
- ◆ **Halten Sie das Gerät an den isolierten Griffflächen fest, wenn Sie Arbeiten ausführen, bei denen verdeckte Kabel durch Werkzeuge beschädigt werden könnten.** Der Kontakt mit stromführenden Leitungen kann auch offen liegende Metallteile am Gerät unter Strom setzen und zu einem Stromschlag führen.
- ◆ **Halten Sie das Gerät an den isolierten Griffflächen fest, wenn Sie Arbeiten ausführen, bei denen verdeckte Kabel beschädigt werden könnten.** Der Kontakt mit stromführenden Leitungen kann auch offen liegende Metallteile am Gerät unter Strom setzen und zu einem Stromschlag führen.
- ◆ **Sichern Sie das Werkstück zum Beispiel mit Einspannvorrichtungen auf einer stabilen Plattform.** Das Werkstück ist instabil, wenn es mit der Hand oder dem Körper abgestützt wird, was zum Verlust der Kontrolle führen kann.
- ◆ **Prüfen Sie vor dem Bohren in Wände, Fußböden oder Decken diese Stellen auf dahinterliegende Kabel oder Rohre.**
- ◆ **Berühren Sie die Spitze des Bohreinsatzes nicht unmittelbar nach dem Bohren, da diese heiß sein kann.**
- ◆ **Die bestimmungsgemäße Verwendung ist in dieser Betriebsanleitung beschrieben.**

Die Verwendung von Zubehör- oder Anbauteilen, die nicht in dieser Anleitung empfohlen werden, sowie die Bedienung des Geräts in Abweichung von den in dieser Anleitung beschriebenen Verfahren können zu Verletzungen und/oder Sachschäden führen.

Sicherheit anderer Personen

- ◆ Dieses Gerät darf nicht von Personen (einschließlich Kindern) mit eingeschränkten körperlichen, sensorischen oder geistigen Fähigkeiten oder mangelnder Erfahrung und Wissen in Bezug auf dessen Gebrauch bedient werden, es sei denn, sie werden bei der Verwendung des Geräts von einer erfahrenen Person beaufsichtigt oder angeleitet.
- ◆ Kinder müssen beaufsichtigt werden, um sicherzustellen, dass sie nicht mit dem Gerät spielen

Restrisiken

Beim Gebrauch dieses Geräts verbleiben zusätzliche Restrisiken, die möglicherweise nicht in den Sicherheitswarnungen genannt werden. Diese Risiken bestehen beispielsweise bei Missbrauch oder längerem Gebrauch.

Auch bei der Einhaltung der entsprechenden Sicherheitsvorschriften und der Verwendung aller Sicherheitsgeräte bestehen weiterhin bestimmte Restrisiken. Diese sind:

- ◆ Verletzungen, die durch das Berühren von sich drehenden/bewegenden Teilen verursacht werden.
- ◆ Verletzungen, die durch das Austauschen von Teilen, Messern oder Zubehör verursacht werden.
- ◆ Verletzungen, die durch längeren Gebrauch eines Geräts verursacht werden. Legen Sie bei längerem Gebrauch regelmäßige Pausen ein.
- ◆ Beeinträchtigung des Gehörs.
- ◆ Gesundheitsrisiken durch das Einatmen von Staub beim Verwenden des Geräts (beispielsweise bei Holzarbeiten, insbesondere Eiche, Buche und MDF.)

Vibration

Die in den Abschnitten "Technische Daten" und "EU-Konformitätserklärung" angegebenen Werte für die Vibrationsemission wurden mit einer Standard-Prüfmethode nach EN 60745 ermittelt und können zum Vergleich verschiedener Geräte herangezogen werden. Außerdem kann mit Hilfe dieses Werts die Belastung bei Verwendung des Geräts schon im Voraus eingeschätzt werden.

Warning! Die bei Verwendung des Geräts auftretende Vibrationsemission hängt von der Art des Gerätegebrauchs ab und kann dementsprechend von dem angegebenen Wert

abweichen. Gegebenenfalls kann die Vibration über dem angegebenen Wert liegen.

Für die Ermittlung der Vibrationsbelastung müssen die tatsächlichen Einsatzbedingungen und Verwendungen des Geräts während des gesamten Arbeitsgangs berücksichtigt werden, einschließlich der Zeiten, wenn das Gerät nicht verwendet oder im Leerlauf betrieben wird. Diese Werte werden benötigt, um die gemäß 2002/44/EG erforderlichen Sicherheitsmaßnahmen zum Schutz von Personen festlegen zu können.

Etiketten am Werkzeug

Am Gerät sind die folgenden Warnsymbole inkl. Datumscode angebracht:



Warnung! Lesen Sie vor Gebrauch die Anleitung. Andernfalls besteht Verletzungsgefahr.



Tragen Sie Gehörschutz mit Schlagbohrmaschinen. Einwirkung von Lärm kann zu Gehörschäden führen

Zusätzliche Sicherheitshinweise für Akkus und Ladegeräte (nicht im Lieferumfang enthalten)

Akkus

- ◆ Keinesfalls versuchen, den Akku zu öffnen.
- ◆ Achten Sie darauf, dass der Akku nicht mit Wasser in Berührung kommt.
- ◆ Nicht bei Temperaturen über 40 °C lagern.
- ◆ Laden Sie den Akku ausschließlich bei Umgebungstemperaturen zwischen 10 °C und 40 °C.
- ◆ Verwenden Sie ausschließlich das mitgelieferte Ladegerät.
- ◆ Beachten Sie bei der Entsorgung von Batterien und Akkus die Hinweise im Abschnitt "Umweltschutz".



Versuchen Sie nie, beschädigte Akkus aufzuladen.

Ladegeräte

- ◆ Verwenden Sie das Stanley Fat Max Ladegerät nur für den Akku des Werkzeugs, mit dem es geliefert wurde. Andere Akkus können platzen und Sachschäden oder Verletzungen verursachen.
- ◆ Versuchen Sie keinesfalls, nicht aufladbare Batterien zu laden.
- ◆ Lassen Sie beschädigte Kabel sofort austauschen.
- ◆ Achten Sie darauf, dass das Ladegerät nicht mit Wasser in Berührung kommt.
- ◆ Versuchen Sie nicht, das Ladegerät zu öffnen.
- ◆ Nehmen Sie am Ladegerät keine Veränderungen vor..



Das Ladegerät darf nur im Innenbereich verwendet werden.



Vor Gebrauch die Anleitung lesen.

Elektrische Sicherheit



Das Ladegerät ist schutzisoliert, daher ist keine Erdleitung erforderlich. Stellen Sie sicher, dass die Netzspannung der auf dem Typenschild des Geräts angegebenen Spannung entspricht. Ersetzen Sie das Ladegerät keinesfalls durch ein normales Netzkabel.

- ◆ Ist das Netzkabel beschädigt, muss es durch den Hersteller oder eine Stanley Fat Max Vertragswerkstatt ausgetauscht werden, um eine mögliche Gefährdung zu vermeiden.

Merkmale

Dieses Gerät verfügt über einige oder alle der folgenden Merkmale.

1. Auslöseschalter
2. Rechts-/Links-Schalter
3. Drehmomentvorwahl
4. Zweiganggetriebewähler
5. Schnellspannfutter
6. Akku
7. Akku-Löseknopf
8. LED-Arbeitsleuchte
9. Einsatzspitzenhalter

Verwendung

Warnung! Beschleunigen Sie den Arbeitsvorgang nicht mit Gewalt. Vermeiden Sie eine Überlastung.

Laden des Akkus

Der Akku muss vor der erstmaligen Benutzung sowie immer dann aufgeladen werden, wenn das Gerät nicht mehr mit voller Leistung arbeitet. Der Akku kann sich während des Aufladens erwärmen. Das ist normal und deutet nicht auf ein Problem hin.

Warnung! Laden Sie den Akku nicht, wenn die Umgebungstemperatur unter 10 °C oder über 40 °C liegt. Empfohlene Lade-temperatur: ca. 24 °C.

Hinweis: Ein Akku, bei dem die Temperatur der Akkuzellen unter ca. 10 °C oder über 40 °C liegt, wird vom Ladegerät nicht geladen. Lassen Sie in diesem Fall den Akku im Ladegerät.

Das Ladegerät beginnt automatisch mit dem Ladevorgang, sobald sich die Zellen erwärmt bzw. abgekühlt haben.

- ◆ Setzen Sie das Ladegerät in eine geeignete Steckdose ein, bevor Sie den Akku einsetzen.
- ◆ Setzen Sie den Akku in das Ladegerät ein.



Die grüne LED blinkt, wenn der Akku geladen wird.



Der Abschluss des Ladevorgangs wird dadurch angezeigt, dass das grüne Licht dauerhaft leuchtet. Der Akku ist vollständig aufgeladen und kann jetzt verwendet oder in der Ladestation gelassen werden.

Warnung! Laden Sie entladene Akkus so bald wie möglich nach dem Gebrauch wieder auf, da sonst die Batterielebensdauer stark verringert werden kann.

Diagnose des Ladegeräts

Das Ladegerät ist so konzipiert, dass es bestimmte Probleme erkennen kann, die am Akku oder der Stromquelle auftreten können. Probleme werden dadurch angezeigt, dass eine LED in verschiedenen Sequenzen blinkt.

Defekter Akku



Das Ladegerät kann einen schwachen oder beschädigten Akku erkennen. Die rote LED blinkt mit dem Muster, das auf dem Etikett angegeben ist. Wenn das Blinkmuster für einen defekten Akku zu sehen ist, laden Sie den Akku nicht weiter auf. Bringen Sie ihn zu einem Kundendienstzentrum oder einer Recycling-Sammelstelle.

Verzögerung heißer/kalter Akku



Wenn das Ladegerät erkennt, dass ein Akku übermäßig heiß oder kalt ist, startet es automatisch eine "Verzögerung heißer/kalter Akku", bis sich der Akku normalisiert hat.

Danach schaltet das Ladegerät automatisch in den Akku-Lademodus. Diese Funktion gewährleistet eine maximale Lebensdauer des Akkus. Die rote LED blinkt mit dem Muster, das auf dem Etikett angegeben ist, wenn die "Verzögerung heißer/kalter Akku" erkannt wird.

Problem mit der Stromleitung



Wenn das Ladegerät mit bestimmten tragbaren Stromquellen wie Generatoren oder Quellen, die Gleichstrom in Wechselstrom umwandeln, verwendet wird, kann der Betrieb des Ladegeräts zeitweilig aussetzen. Die LED blinkt mit dem Muster, das auf dem Etikett angegeben ist. Das zeigt an, dass die Stromquelle außerhalb der Grenzwerte liegt.

Belassen des Akkus im Ladegerät

Sie können den Akku auch im Ladegerät belassen. In diesem Fall leuchtet die LED-Anzeige dauerhaft. Das Ladegerät hält den Akku in einem vollständig geladenen Zustand.

Wichtige Hinweise zum Aufladen

- ◆ Die längste Lebensdauer und beste Leistung wird erhalten, wenn der Akku bei einer Lufttemperatur zwischen 18° und 24°C aufgeladen wird. Laden Sie den Akku NICHT bei einer Umgebungstemperatur unter +4,5°C oder über +40,5°C auf. Dies ist wichtig und verhindert schwere Schäden am Akku.
- ◆ Das Ladegerät und der Akku können sich während des Ladevorgangs warm anfühlen. Dies ist ein normaler Zustand und weist nicht auf ein Problem hin. Um das Abkühlen des Akkus nach dem Gebrauch zu erleichtern, platzieren Sie das Ladegerät und den Akku nicht in einer warmen Umgebung, wie beispielsweise in einem Metallschuppen oder einem nicht isolierten Wohnwagen.
- ◆ Wenn der Akku nicht richtig aufgeladen wird:
- ◆ Prüfen Sie, ob die Steckdose unter Spannung steht, indem Sie eine Lampe oder ein anderes Gerät an die Steckdose anschließen.
- ◆ Überprüfen Sie, ob die Steckdose mit einem Lichtschalter verbunden ist, der auch das Gerät ausschaltet, wenn das Licht ausgeschaltet wird.
- ◆ Bringen Sie Ladegerät und Akku an einen Ort, wo die Umgebungstemperatur ca. 18° - 24°C beträgt. d. Wenn die Ladeprobleme bestehen bleiben, bringen Sie Werkzeug, Akku und Ladegerät zu Ihrer lokalen Stanley Fat Max Vertragswerkstatt.
- ◆ Der Akku sollte aufgeladen werden, wenn das Gerät nicht mehr die volle Leistung bringt.

- ◆ Betreiben Sie das Werkzeug in diesem Fall NICHT WEITER. Befolgen Sie die Anweisungen bezüglich des Aufladens.
- ◆ Sie können auch jederzeit einen teilweise entleerten Akku aufladen, ohne dass dies nachteilige Auswirkungen auf den Akku hat.

Anbringen und Entfernen des Akkus

Warnung! Der Verriegelungsknopf muss eingerastet sein, damit keine unbeabsichtigte Bedienung des Ein-/Aus-Schalters vor dem Anbringen bzw. Entfernen des Akkus erfolgen kann.

Anbringen des Akkus

- ◆ Setzen Sie den Akku fest in das Werkzeug ein, bis ein Klicken zu hören ist, wie in Abbildung A gezeigt wird. Achten Sie darauf, dass der Akku vollständig eingesetzt und eingerastet ist.

Entfernen des Akkus

- ◆ Drücken Sie den Akku-Löseknopf (7) wie in Abbildung B gezeigt und ziehen Sie den Akku aus dem Werkzeug.

Auslöseschalter & Rechts-/Links-Schalter - Abbildung C

- ◆ Der Bohrer wird durch Ziehen und Loslassen des Auslöseschalters (1), der in Abbildung C gezeigt wird, EIN und AUS geschaltet. Je tiefer er eingedrückt wird, desto höher wird die Drehzahl der Bohrmaschine.
- ◆ Ein Regler für Rechts- oder Linksdrehung (2) bestimmt die Drehrichtung des Werkzeugs und dient auch als Verriegelungsschalter.
- ◆ Für Rechtsdrehung (vorwärts) lassen Sie den Auslöseschalter los und drücken Sie den Drehrichtungsknopf an der rechten Seite des Geräts.
- ◆ Für Linksdrehung (rückwärts) lassen Sie den Drückerschalter los und drücken Sie den Drehrichtungsknopf an der linken Seite des Geräts.
- ◆ In der mittleren Stellung des Reglers ist das Gerät in der AUS-Stellung verriegelt. Achten Sie darauf, dass der Auslöseschalter entriegelt ist, wenn Sie diesen Regler verstellen.

Einstellen der Drehmomentregelung - Abbildung D

Dieses Gerät verfügt über eine Drehmomentvorwahl (3) zur Auswahl des Betriebsmodus und des Drehmoments zum Festziehen von Schrauben. Für große Schrauben und härtere Werkstücke muss ein größeres Drehmoment eingestellt werden als für kleine Schrauben und weiche Werkstücke.

- ◆ Um Bohrungen in Holz, Metall oder Kunststoff vorzunehmen, stellen Sie an der Drehmomentvorwahl das Symbol zum Bohren ein.

- ◆ Stellen Sie für Schraubarbeiten an der Drehmomentvorwahl die gewünschte Position ein. Sollten Ihnen die jeweils erforderlichen Einstellungen noch nicht bekannt sein, gehen Sie wie folgt vor:
 - ◆ Stellen Sie an der Drehmomentvorwahl das niedrigste Drehmoment ein.
 - ◆ Ziehen Sie mit dieser Einstellung die erste Schraube fest.
 - ◆ Wenn die Einstellung nicht zum gewünschten Ergebnis führt, erhöhen Sie die Drehmomenteinstellung und fahren Sie fort.
 - ◆ Wiederholen Sie diesen Vorgang bis Sie die richtige Einstellung gefunden haben.
 - ◆ Verwenden Sie diese Einstellung auch für die übrigen Schrauben.

Zweigangetriebschalter - Abbildung E

Das Zweigangetriebe an Ihrem Bohrer ermöglicht den Gangwechsel für eine größere Anpassungsfähigkeit.

- ◆ Zur Auswahl der Einstellung mit niedriger Drehzahl und hohem Drehmoment (Position 1) schalten Sie das Werkzeug aus und lassen es auslaufen. Schieben Sie den Gangschalterknopf (4) zurück, d.h. vom Spannfutter weg.
- ◆ Zur Auswahl der hohen Geschwindigkeit mit niedriger Drehzahl (Position 2) schalten Sie das Gerät aus und lassen es auslaufen. Schieben Sie den Gangschalterknopf wieder nach vorne zum Spannfutter.

Hinweis: Ändern Sie nicht den Gang, während das Gerät sich dreht. Bei Problemen beim Gangwechsel prüfen Sie, dass der Zweigangetriebebewähler entweder komplett nach vorne oder hinten geschoben ist.

Schnellspannfutter - Abbildung F

Warnung! Der Akku muss entfernt worden sein, damit keine unbeabsichtigte Bedienung des Geräts vor dem Installieren bzw. Entfernen von Zubehörteilen erfolgen kann. So setzen Sie einen Bohreinsatz oder ein anderes Zubehörteil ein:

- ◆ Umfassen Sie das Bohrfutter (5) und drehen Sie es gegen den Uhrzeigersinn (vom Ende des Bohrfutters aus gesehen).
- ◆ Setzen Sie den Bohreinsatz oder ein anderes Zubehörteil ordnungsgemäß in das Bohrfutter ein, und ziehen Sie das Bohrfutter durch Drehen im Uhrzeigersinn (mit Blickrichtung vom Bohrfutter) wieder fest.

Warnung! Versuchen Sie nicht, Bohrvorsätze (oder anderes Zubehör) einzusetzen, indem Sie das Spannfutter vorne fassen und das Gerät einschalten. Dabei kann das Spannfutter beschädigt werden und es kann zu schweren Verletzungen kommen.

Festziehen von Schrauben

- ◆ Zum Festziehen von Befestigungsmitteln muss der Rechts-/Links-Schalter nach links geschoben sein.
- ◆ Verwenden Sie zum Entfernen von Befestigungsmitteln den Links-Schalter (Schalter nach rechts geschoben).

Hinweis: Wenn Sie die Drehrichtung von Rechts nach Links oder umgekehrt ändern wollen, immer zuerst den Auslöseschalter lösen.

Bohren

- ◆ Verwenden Sie nur scharfe Bohrerbits.
- ◆ Unterstützen und sichern Sie Werkstücke angemessen, wie in den Sicherheitshinweisen beschrieben.
- ◆ Verwenden Sie geeignete und erforderliche Sicherheitsausrüstung, wie in den Sicherheitshinweisen beschrieben.
- ◆ Sichern Sie den Arbeitsbereich und halten Sie ihn aufgeräumt, wie in den Sicherheitshinweisen beschrieben.
- ◆ Lassen Sie den Bohrer sehr langsam und nur mit leichtem Druck laufen, bis das Loch groß genug ist, dass der Bohreinsatz nicht mehr herausrutschen kann.
- ◆ Üben Sie nur parallel zum Bohreinsatz Druck aus. Der ausgeübte Druck darf nicht größer sein als für den Bohrvorgang erforderlich. Bei zu hohem Druck blockiert der Motor oder der Bohreinsatz wird beschädigt.
- ◆ Halten Sie den Bohrer mit beiden Händen fest; dabei sollte eine Hand auf dem Griff und die andere am Unterteil um den Akkubereich oder, falls vorhanden, am Zusatzhandgriff liegen.
- ◆ **WENN DER BOHRER BLOCKIERT IST, VERSUCHEN SIE NICHT, IHN DURCH WIEDERHOLTES BETÄTIGEN DES EIN-/AUSSCHALTERS WIEDER ZUM LAUFEN ZU BRINGEN. DER BOHREINSATZ KANN DADURCH BESCHÄDIGT WERDEN.**
- ◆ Verringern Sie im letzten Teil des Bohrlochs den Druck und die Geschwindigkeit, um ein Blockieren beim Durchbohren zu vermeiden.
- ◆ Lassen Sie den Motor an, während Sie den Bohrer aus einem gebohrten Loch ziehen. Dadurch wird verhindert, dass der Bohreinsatz einklemmt.
- ◆ Stellen Sie sicher, dass sich der Bohrer über den Schalter ein- und ausschalten lässt.

In Holz bohren

Holz kann entweder mit denselben Spiralbohreinsätzen bearbeitet werden, die auch für Metall verwendet werden, oder mit Spitzbohrern. Die Bohreinsätze sollten spitz sein und regelmäßig entnommen werden, um das Gerät von Spänen zu säubern.

In Metall bohren

Verwenden Sie beim Bohren in Metall ein Schneidöl.
Ausnahmen sind Gusseisen und Messing, die trocken gebohrt werden müssen. Der beste Schmierstoff ist schwefelhaltiges Schneidöl.

In Mauerwerk bohren

Stellen Sie zum Bohren in Mauerwerk die Drehmomentvorwahl (3) auf die Position zum Schlagbohren ein, indem Sie das Symbol an der Markierung ausrichten
Verwenden Sie hartmetallbestückte Mauerwerks-Bohrreinsätze. Siehe Abschnitt „Bohren“. Üben Sie gleichmäßigen Druck auf die Bohrmaschine aus und achten Sie darauf, dass das Material nicht bricht. Ein leichtes, gleichmäßiges Austreten von Staub weist auf eine richtige Bohrleistung hin.

LED-Arbeitsleuchte

Wenn der Bohrer wird durch Ziehen des Auslöseschalters (1) aktiviert wurde, beleuchtet die integrierte LED-Arbeitsleuchte (8) automatisch den Arbeitsbereich.

Hinweis: Die Arbeitsleuchte soll die unmittelbare Arbeitsfläche ausleuchten und ist nicht dazu bestimmt, als Taschenlampe zu fungieren.

Aufbewahrung von Einsatzspitzen

In die Basis des Geräts ist ein Aufbewahrungsfach für Einsatzätze (9) integriert.

Fehlerbehebung

Problem	Mögliche Ursache	Mögliche Lösung
Gerät startet nicht.	Akku wurde nicht ordnungs-gemäß angebracht. Akku nicht geladen.	Prüfen Sie, ob der Akku richtig angebracht wurde. Prüfen Sie die erforderliche Ladekapazität
Gerät läuft sofort nach dem Einsetzen des Akkus an.	Der Schalter wurde in der Position "Ein" gelassen.	Der Schalter muss in die Position "Aus" gestellt werden, damit das Gerät nicht sofort anläuft, wenn der Akku eingesetzt wird.
Akku lädt nicht.	Akku befindet sich nicht im Ladegerät. Das Ladegerät ist nicht mit dem Stromnetz verbunden. Umgebungstemperatur zu hoch oder zu niedrig.	Führen Sie den Akku in das Ladegerät ein, bis die LED leuchtet. Stecken Sie den Stecker des Ladegeräts in eine aktive Steckdose. Bringen Sie das Ladegerät und den Akku an einen Ort, der eine Umgebungstemperatur von über 45°C und unter +40,5°C aufweist.

Problem	Mögliche Ursache	Mögliche Lösung
Das Gerät schaltet sich unerwartet aus.	Der Akku hat seine thermische Belastungsgrenze erreicht. Akku ist entladen. (Um die Lebensdauer des Akkus zu maximieren, wurde er so konzipiert, dass er sich sofort abschaltet, wenn die Ladung aufgebraucht ist)	Lassen Sie den Akku abkühlen. Bringen Sie ihn am Ladegerät an, so das er aufgeladen wird.

Wartung

Ihr Stanley Fat Max Gerät wurde im Hinblick auf eine lange Lebensdauer und einen möglichst geringen Wartungsaufwand entwickelt. Ein kontinuierlicher, zufriedenstellender Betrieb hängt von der richtigen Pflege des Gerätes und seiner regelmäßigen Reinigung ab.

Das Ladegerät benötigt keine Wartung, es sollte jedoch regelmäßig gereinigt werden.

Warnung! Entfernen Sie vor jeglichen Wartungsarbeiten am Gerät den Akku aus dem Gerät. Trennen Sie das Ladegerät von der Stromversorgung, bevor Sie es reinigen.

- ◆ Reinigen Sie regelmäßig die Lüftungsschlitze des Geräts und des Ladegeräts mit einer weichen Bürste oder einem trockenen Tuch.
- ◆ Reinigen Sie das Motorgehäuse regelmäßig mit einem feuchten Tuch.
Verwenden Sie keine scheuernden Reinigungsmittel oder Reinigungsmittel auf Lösungsmittelbasis.
- ◆ Öffnen Sie regelmäßig das Spannfutter und entfernen Sie durch Klopfen Staub aus dem Inneren des Geräts.

Umweltschutz



Getrennte Entsorgung. Produkte und Akkus mit diesem Symbol dürfen nicht mit dem normalen Hausmüll entsorgt werden.

Produkte und Akkus enthalten Materialien, die wiederverwertet werden können, um den Bedarf an Rohstoffen zu verringern. Bitte recyceln Sie elektrische Produkte und Akkus gemäß den örtlichen Bestimmungen. Weitere Informationen finden Sie auf www.2helpU.com

Technical data

FMC626		
Spannung	V_{DC}	18V
Leerlaufdrehzahl	Min^{-1}	0-350/0-1500
Max. Drehmoment	Nm	47
Bohrfutterspannweite	mm	13
Maximale Bohrtiefe		
Stahl/Holz/Mauerwerk	mm	13/35/13
Gewicht	kg	1.2

Ladegerät	905998**	906086**	90636454	
Eingangsspannung	V_{AC}	230	230	230
Ausgangsspannung	V_{DC}	18	18	18
Stromstärke	mA	1000	2000	1000
Ungefähre Ladezeit	Mins	80-240	40-120	80-240

Akku	FMC685L	FMC687L	FMC684L	FMC688L	
Spannung	V_{AC}	18	18	18	18
Kapazität	Ah	1.5	2.0	1.3	4.0
Typ	Li-Ion	Li-Ion	Li-Ion	Li-Ion	

Schalldruckpegel gemäß EN 60745:
Schalldruck (L_{pA}) 87.0 dB(A), Unsicherheitsfaktor (K) 3 dB(A)
Schalleistung (L_{WA}) 98.0 dB(A), Unsicherheitsfaktor (K) 3 dB(A)

Vibration total values (triax vector sum) according to EN 60745:
Metalbohren ($a_{h,D}$) $<2.5 \text{ m/s}^2$, Unsicherheitsfaktor (K) 1.5 m/s^2
Hammerbohren ($a_{h,D}$) 14.9 m/s^2 , Unsicherheitsfaktor (K) 1.5 m/s^2
Schraubarbeiten ohne Belastung (a_h) $<2.5 \text{ m/s}^2$, Unsicherheitsfaktor(K) 1.5 m/s^2

EU-Konformitätserklärung

MASCHINENRICHTLINIE



FMC626 - Akku-Bohrschrauber
Stanley Fat Max erklärt, dass diese unter "Technische Daten"
beschriebenen Geräte übereinstimmen mit:
2006/42/EC, EN60745-1:2009+A11:2010 EN60745-2-1:2010

EN60745-2-2:2010

Diese Produkte entsprechen außerdem der Richtlinie
2004/108/EU.
(bis 19/04/2016)

2014/30/EU (ab 20/04/2016)
und 2011/65/EU.

Weitere Informationen erhalten Sie von Stanley Fat Max unter
der folgenden Adresse. Diese befindet sich auch auf der
Rückseite dieser Anleitung.

Der Unterzeichnete ist verantwortlich für die
Zusammenstellung des technischen Dossiers und gibt diese
Erklärung im Namen von
Stanley Fat Max.

R. Laverick
Engineering Manager
Stanley Fat Max Europe, Egide Walschaertsstraat14-18,
2800 Mechelen, Belgium
19/12/2017

Garantie

Stanley Fat Max vertraut auf die Qualität der eigenen Geräte
und bietet dem Käufer eine außergewöhnliche Garantie von
12 Monaten ab Kaufdatum. Diese Garantie versteht sich
unbeschadet der gesetzlichen Gewährleistungsansprüche und
schränkt diese keinesfalls ein. Diese Garantie gilt innerhalb
der Staatsgebiete der Mitgliedstaaten der Europäischen
Union und der Europäischen Freihandelszone.

Zur Inanspruchnahme dieser Garantie muss sie den
allgemeinen Geschäftsbedingungen von Stanley Fat Max
entsprechen und dem Verkäufer bzw. der Vertragswerkstatt
ist ein Kaufnachweis vorzulegen. Die Bedingungen für die
1-jährige Garantie von Stanley Fat Max und den Standort Ihrer
nächstgelegenen Vertragswerkstatt finden Sie im Internet
unter www.2helpU.com oder indem
Sie sich an die lokale Stanley Fat Max Niederlassung wenden,
deren Adresse Sie in dieser Anleitung finden.

Ihr neues Stanley Fat Max Produkt können Sie auf unserer
Website unter www.stanley.eu/3 registrieren. Dort erhalten Sie
auch Informationen über neue Produkte und Sonderangebote.

Utilisation prévue

Votre perceuse/viseuse Stanley Fat Max FMC626 a été conçue pour visser et percer le bois, le métal, le plastique et la maçonnerie tendre. Cet appareil a été conçu pour les utilisateurs professionnels et non professionnels.

Consignes de sécurité

Consignes de sécurité concernant les outils électriques



Avertissement! Lisez tous les avertissements et toutes les consignes de sécurité. Le non-respect des avertissements et des instructions ci-dessous peut entraîner des chocs électriques, des incendies et/ou de graves blessures.

Conservez tous les avertissements et toutes les instructions afin de pouvoir vous y référer dans le futur. Le terme "outil électrique" mentionné dans tous les avertissements listés ci-dessous fait référence à vos outils électriques branchés sur secteur (avec câble) ou fonctionnant sur pile ou batterie (sans fil).

1. Sécurité de la zone de travail

- a. **Maintenez la zone de travail propre et bien éclairée.** Les zones sombres ou encombrées sont propices aux accidents.
- b. **N'utilisez pas d'outils électriques dans un environnement présentant des risques d'explosion ou en présence de liquides, gaz ou poussières inflammables.** Les outils électriques créent des étincelles qui peuvent enflammer les poussières et les fumées.
- c. **Maintenez les enfants et autres personnes éloignés lorsque les outils électriques sont en marche.** Toute distraction peut vous faire perdre le contrôle de l'outil.


2. Sécurité électrique

- a. **La prise des outils électriques doit correspondre à la prise de courant murale. Ne modifiez la prise d'aucune sorte. N'utilisez aucun adaptateur avec des outils électriques reliés à la terre.** L'utilisation de prises d'origine et de prises murales appropriées permet de réduire le risque de choc électrique.
- b. **Évitez le contact physique avec des surfaces reliées à la terre comme des tuyaux, des radiateurs, des fours et des réfrigérateurs par exemple.** Le risque de choc électrique augmente lorsque le corps est relié à la terre.
- c. **N'exposez pas les outils électriques à la pluie, ni à l'humidité.** Le risque de choc électrique augmente si de l'eau pénètre dans un outil électrique.

- d. **Ne tirez pas sur le cordon d'alimentation. N'utilisez jamais le cordon pour transporter, tirer ou débrancher l'outil électrique. Maintenez le cordon éloigné de la chaleur, des substances grasses, des bords tranchants ou des pièces mobiles.** Les cordons endommagés ou emmêlés augmentent le risque de choc électrique.
- e. **Si vous utilisez un outil électrique à l'extérieur, utilisez une rallonge homologuée pour les travaux extérieurs.** L'utilisation d'un cordon adapté pour l'extérieur réduit le risque de choc électrique.
- f. **Si l'utilisation d'un outil électrique dans un endroit humide est inévitable, utilisez une alimentation électrique protégée par un disjoncteur différentiel.** L'utilisation d'un disjoncteur différentiel réduit le risque de choc électrique.

3. Sécurité personnelle

- a. **Restez vigilant, surveillez ce que vous faites et faites preuve de bon sens lorsque vous utilisez un outil électrique. N'utilisez pas d'outil électrique si vous êtes fatigué ou sous l'influence de drogue, d'alcool ou de médicaments.** Tout moment d'inattention pendant l'utilisation d'un outil électrique peut engendrer de graves blessures.
- b. **Portez des équipements de protection individuelle. Portez toujours une protection oculaire.** Les équipements de protection comme les masques à poussière, les chaussures de sécurité antidérapantes, les casques ou les protections auditives utilisés à bon escient réduisent le risque de blessures.
- c. **Empêchez tout démarrage par inadvertance. Assurez-vous que l'outil est en position OFF (Arrêt) avant d'effectuer le branchement à l'alimentation électrique et/ou au bloc-batterie ou avant de ramasser ou de transporter l'outil.** Le fait de transporter les outils électriques le doigt sur l'interrupteur ou d'alimenter les outils électriques dont l'interrupteur est déjà en position de marche augmente les accidents.
- d. **Retirez toutes les clés ou pinces de réglage avant de mettre l'outil en marche.** Une clé ou une pince restée fixée à la partie rotative de l'outil électrique peut engendrer des blessures.
- e. **Ne présumez pas de vos forces. Gardez les pieds bien ancrés au sol et conservez votre équilibre en permanence.** Cela permet de mieux maîtriser l'outil électrique en cas de situations imprévues.
- f. **Portez des vêtements appropriés. Ne portez aucun vêtement ample ou de bijou. Gardez vos cheveux, vos vêtements et vos gants éloignés des pièces mobiles.** Les vêtements amples, les bijoux ou les cheveux longs peuvent être happés par les pièces mobiles.

- g. Si des dispositifs pour l'extraction des poussières ou des installations pour la récupération sont présents, assurez-vous qu'ils sont correctement raccordés et utilisés.** L'utilisation de dispositifs récupérateurs de poussières réduit les risques liés aux poussières.
- 4. Utilisation et entretien des outils électriques**
- a. Ne forcez pas sur l'outil électrique. Utilisez le bon outil adapté pour votre intervention.** Un outil adapté fonctionne mieux, de façon plus sûre et à la cadence pour laquelle il a été conçu.
- b. N'utilisez pas l'outil électrique si le bouton Marche/ Arrêt est défectueux.** Tout appareil électrique qui ne peut plus être commandé par son interrupteur est dangereux et doit être réparé.
- c. Débranchez la prise du secteur et/ou le bloc-batterie de l'outil électrique avant d'effectuer tout réglage, de changer un accessoire ou de ranger l'outil électrique.** Ces mesures de sécurité préventives réduisent le risque de démarrage accidentel de l'outil électrique.
- d. Rangez les outils électriques non utilisés hors de portée des enfants et ne laissez aucune personne ne connaissant pas ces outils ou leurs instructions d'utilisation les faire fonctionner.** Les outils électriques peuvent être dangereux entre des mains inexpérimentées.
- e. Entretenez vos outils électriques. Vérifiez que les pièces mobiles sont alignées correctement et qu'elles ne sont pas coincées. Vérifiez qu'il n'y a pas de pièces cassées ou toute autre condition qui pourrait nuire au bon fonctionnement de l'outil. En cas de dommage, faites réparer l'outil électrique avant utilisation.** De nombreux accidents sont provoqués par des outils électriques mal entretenus.
- f. Maintenez les outils de découpe affûtés et propres.** Des outils de découpe bien entretenus et affûtés sont moins susceptibles de rester coincés et sont plus faciles à contrôler.
- g. Utilisez les outils électriques, les accessoires et les embouts d'outil conformément à ces instructions, en tenant compte des conditions de travail, ainsi que du travail à effectuer.** L'utilisation d'un outil électrique à des fins autres que celles pour lesquelles il a été prévu engendre des situations dangereuses.
- 5. Utilisation et entretien de la batterie de l'outil**
- a. N'effectuez la recharge qu'à l'aide du chargeur spécifié par le fabricant.** Un chargeur adapté pour un autre type de bloc-batterie peut engendrer un risque d'incendie s'il est utilisé avec un bloc-batterie différent.
- b. N'utilisez les outils électriques qu'avec les blocs-batteries qui leurs sont dédiés.** L'utilisation d'un autre bloc-batterie peut engendrer des blessures et un incendie.
- c. Lorsque le bloc-batterie n'est pas utilisé, éloignez-le des objets en métal comme les trombones, les pièces de monnaies, les clés, les clous, les vis ou d'autres petits objets métalliques qui pourraient créer une liaison entre les deux bornes.** La mise en court-circuit des bornes d'une batterie peut provoquer des brûlures ou un incendie.
- d. En cas d'utilisation abusive, du liquide peut être éjecté de la batterie. Évitez tout contact avec ce liquide. En cas de contact accidentel, rincez à l'eau. En cas de contact avec les yeux, consultez un médecin.** Le liquide projeté de la batterie peut provoquer des irritations ou des brûlures.
- 6. Réparation**
- a. Faites réparer votre outil électrique par une personne qualifiée, n'utilisant que des pièces de rechange d'origine.** Cela permet de garantir la sécurité de l'outil électrique.
- Consignes de sécurité supplémentaires concernant les outils électriques**
-  **Avertissement!** Consignes de sécurité supplémentaires concernant les per-ceuses/visseuses
- ◆ **Utilisez les poignées auxiliaires livrées avec l'outil.** La perte de contrôle peut provoquer des blessures.
 - ◆ **Tenez l'outil électrique par ses surfaces de préhension isolées lorsque vous l'utilisez dans des endroits où l'accessoire de coupe peut entrer en contact avec des fils cachés.** Tout contact de l'accessoire de coupe avec un fil sous tension peut mettre les parties métalliques exposées de l'outil sous tension et provoquer un choc électrique à l'utilisateur.
 - ◆ **Tenez l'outil électrique par ses surfaces de préhension isolées lorsque vous l'utilisez dans des endroits où le dispositif de fixation peut entrer en contact avec des fils cachés.** Tout contact du dispositif de fixation avec un fil sous tension peut mettre les parties métalliques exposées de l'outil sous tension et provoquer un choc électrique à l'utilisateur.
 - ◆ **Utilisez des pinces ou tout autre moyen pratique pour fixer et soutenir la pièce à travailler sur une plateforme stable.** Tenez la pièce à travailler à la main ou contre votre corps la rend instable et peut conduire à une perte de contrôle.
 - ◆ **Avant de percer des murs, des planchers ou des plafonds, vérifiez l'emplacement des fils électriques et des canalisations.**

- ◆ Évitez de toucher le bout d'un foret juste après avoir percé. Il peut être chaud.
- ◆ L'usage prévu est décrit dans ce manuel d'utilisation. L'utilisation d'un accessoire ou d'une fixation ou l'utilisation de cet outil à d'autres fins que celles recommandées dans ce manuel d'utilisation présentent un risque de blessures et/ou de dommages matériels

Sécurité des personnes

- ◆ Cet outil n'est pas prévu pour être utilisé par des personnes (y compris des enfants) ayant des capacités mentales, sensorielles ou physiques réduites ou par des personnes manquant d'expérience et de connaissances, à moins qu'elles ne soient encadrées ou qu'elles n'aient été formées à l'utilisation de l'outil par une personne responsable de leur sécurité.
- ◆ Ne laissez jamais les enfants sans surveillance afin d'éviter qu'ils ne jouent avec l'appareil.

Risques résiduels

Certains risques résiduels supplémentaires non mentionnés dans les avertissements sur la sécurité peuvent survenir en utilisant l'outil. Ces risques peuvent être provoqués par une utilisation incorrecte, prolongée, etc...

Malgré l'application des normes de sécurité pertinentes et la présence de dispositifs de sécurité, certains risques résiduels ne peuvent pas être évités. Ils comprennent:

- ◆ Les blessures provoquées par le contact avec les pièces rotatives/mobiles.
- ◆ Les blessures provoquées pendant le remplacement de pièces, de lames ou d'accessoires.
- ◆ Les blessures dues à l'utilisation prolongée d'un outil. Lorsque l'outil est utilisé pendant de longues périodes, assurez-vous de faire des pauses régulières.
- ◆ La diminution de l'acuité auditive.
- ◆ Les risques pour la santé provoqués par l'inhalation des poussières générées pendant l'utilisation de votre outil (exemple : travail avec du bois, surtout le chêne, le hêtre et les panneaux en MDF).

Vibrations

La valeur des émissions de vibrations déclarée dans la section Caractéristiques techniques et la déclaration de conformité a été mesurée selon une méthode de test standard fournie par la norme EN 60745 et peut être utilisée pour comparer un outil à un autre. La valeur des émissions de vibrations déclarée peut aussi être utilisée pour une évaluation préliminaire à l'exposition.

Avvertissement! En fonction de la manière dont l'outil est utilisé, la valeur des émissions de vibrations réelles pendant l'utilisation de l'outil peut différer de la valeur déclarée. Le niveau des vibrations peut dépasser le niveau déclaré.

Quand l'exposition aux vibrations est évaluée afin de déterminer les mesures de sécurité requises par la norme 2002/44/CE pour protéger les personnes utilisant régulièrement des outils électriques, cette estimation doit tenir compte des conditions réelles d'utilisation et la façon dont l'outil est utilisé. Il faut également tenir compte de toutes les composantes du cycle de fonctionnement comme la durée pendant laquelle l'outil est arrêté et quand il fonctionne au ralenti, ainsi que la durée du déclenchement.

Étiquettes sur l'outil

Outre le code date, les symboles suivants sont apposés sur l'outil:



Avvertissement! Pour réduire le risque de blessures, l'utilisateur doit lire le manuel d'instructions.



Portez des protections auditives avec perceuses à percussion. L'exposition au bruit peut entraîner une perte auditive.

Consignes de sécurité supplémentaires concernant les batteries/piles et les chargeurs (non fournis avec l'outil)

Batteries

- ◆ Ne tentez jamais de les ouvrir sous aucun prétexte.
- ◆ N'exposez pas la batterie à l'eau.
- ◆ Ne la stockez pas dans des endroits où la température peut dépasser 40 °C.
- ◆ Ne les rechargez qu'à une température ambiante comprise entre 10 °C et 40 °C.
- ◆ Ne rechargez qu'à l'aide du chargeur fourni avec l'outil.
- ◆ Lors de la mise au rebut des batteries, respectez les instructions données dans la section « Protection de l'environnement ».



N'essayez pas de recharger des batteries endommagées.

Chargeurs

- ◆ N'utilisez votre chargeur Stanley Fat Max que pour recharger la batterie fournie avec l'outil. D'autres batteries pourraient exploser et provoquer des blessures et des dommages.
- ◆ Ne tentez jamais de recharger des piles non rechargeables.
- ◆ Faites immédiatement remplacer les cordons endommagés.
- ◆ N'exposez pas le chargeur à l'eau.

- ◆ N'ouvrez pas le chargeur.
- ◆ Ne testez pas le chargeur.



Le chargeur est conçu pour être exclusivement utilisé à l'intérieur.



Lisez le manuel d'utilisation avant d'utiliser l'outil.

Sécurité électrique



Votre chargeur dispose d'une double isolation ; aucun fil de terre n'est donc nécessaire.

Vérifiez toujours si la tension indiquée sur la plaque signalétique de l'appareil correspond à la tension du secteur. N'essayez jamais de remplacer l'unité du chargeur avec une prise secteur ordinaire.

- ◆ Si le câble d'alimentation est endommagé, il doit être remplacé par le fabricant ou par un centre d'assistance agréé Stanley Fat Max afin d'éviter les risques éventuels.

Caractéristiques

Cet appareil présente tout ou partie des caractéristiques suivantes.

1. Interrupteur à gâchette
2. Bouton Marche avant/Marche arrière
3. Collier de réglage de couple
4. Sélecteur de vitesse à double plage
5. Mandrin sans clé
6. Batterie
7. Bouton de libération de la batterie
8. Éclairage de travail à LED
9. Porte-embout

Utilisation

Avertissement! Laissez l'outil fonctionner à son propre rythme. Ne le poussez pas au-delà de sa limite.

Charge de la batterie

La batterie doit être chargée avant la première utilisation et chaque fois qu'elle n'apporte plus assez de puissance pour les travaux réalisés sans peine auparavant. La batterie peut chauffer pendant la charge. Ce phénomène est normal et n'indique pas un problème.

Avertissement! Ne rechargez pas la batterie à une température ambiante inférieure à 10 °C ou au-dessus de 40 °C. La température recommandée est d'environ 24 °C.

Remarque: Le chargeur ne recharge pas la batterie si la température de la cellule est environ inférieure à 10 °C ou supérieure à 40 °C.

La batterie doit rester dans le chargeur qui démarre automatiquement la charge quand la température de la cellule augmente ou diminue.

- ◆ Branchez le chargeur dans une prise appropriée avant d'insérer le bloc-batterie.
- ◆ Insérez le bloc-batterie dans le chargeur.



Le voyant vert clignote pour indiquer que la batterie est en cours de charge.



Une fois la charge terminée, la DEL demeure fixe. Labatterie est alors complètement chargée et peut être soit utilisée, soit laissée dans le chargeur.

Avertissement! Rechargez les batteries déchargées dès que possible après utilisation pour ne pas grandement diminuer la durée de vie de la batterie.

Diagnostics du chargeur

Ce chargeur est conçu pour détecter certains problèmes qui peuvent survenir avec les blocs-batteries ou les sources d'alimentation. Les problèmes sont signalés par une LED clignotant de différentes manières.

Batterie défectueuse



Le chargeur peut détecter une batterie faible ou endommagée. La LED rouge clignote de la façon indiquée sur l'étiquette. Arrêtez la charge de la batterie si vous voyez ce motif clignoté indiquant que la batterie est défectueuse. Renvoyez-la dans un centre d'assistance ou un site de collecte pour recyclage

Délai Bloc chaud/froid



Lorsque le chargeur détecte que la batterie est trop chaude ou trop froide, il démarre automatiquement un délai Bloc Chaud/Froid, suspendant la charge jusqu'à ce que la batterie se stabilise. Après cela, le chargeur passe automatiquement en mode Charge Bloc.

Cette fonctionnalité garantit la durée de vie maximale de la batterie. La LED rouge clignote de la façon indiquée sur l'étiquette lorsque le délai Bloc Chaud/Froid est détecté.

Problème Ligne de puissance



Si le chargeur est utilisé avec certaines sources d'alimentation mobiles comme des générateurs ou des sources qui convertissent le courant continu en courant alternatif, il peut temporairement interrompre l'opération. La LED rouge clignote de la façon indiquée sur l'étiquette. Cela indique que la source d'alimentation est hors limite.

Laisser la batterie dans le chargeur

Le chargeur et le bloc-batterie peuvent rester connectés en permanence avec la LED allumée en continu. Le chargeur maintient le bloc-batterie complètement chargé.

Remarques importantes sur la recharge

- ◆ Une durée de vie plus longue et de meilleures performances peuvent être obtenues si le bloc-batterie est rechargé lorsque la température de l'air est comprise entre 65°F et 75°F (18° - 24°C). NE rechargez PAS le bloc-batterie à une température ambiante inférieure à +40°F (+4,5°C) ou supérieure à +105°F (+40,5°C). Ce point est important et évite de graves dommages au bloc-batterie.
- ◆ Le chargeur et le bloc-batterie peuvent devenir chauds au toucher pendant la charge. Ceci est normal et n'indique pas un problème. Afin de faciliter le refroidissement du bloc-batterie après utilisation, évitez de placer le chargeur ou le bloc-batterie dans un environnement chaud comme une remise métallique ou une remorque non isolée.
- ◆ Si le bloc batterie ne se recharge pas correctement:
 - ◆ Vérifiez le courant au niveau de la prise murale en branchant une lampe ou un autre appareil.
 - ◆ Vérifiez que la prise de courant n'est pas reliée à un interrupteur coupant l'alimentation lorsque l'on éteint l'éclairage.
 - ◆ Déplacez le chargeur et le bloc-batterie dans un endroit où la température ambiante est comprise entre 65°F et 75°F (18°C - 24°C). d. Si les problèmes de charge persistent, apportez l'outil, le bloc-batterie et le

chargeur à votre centre d'assistance Stanley Fat Max local.

- ◆ Le bloc batterie doit être rechargé lorsqu'il ne parvient plus à fournir la puissance nécessaire aux opérations qui étaient facilement réalisées auparavant.
- ◆ CESSEZ D'UTILISER l'outil dans ces conditions. Respectez la procédure de charge.
- ◆ Vous pouvez également charger un bloc déjà utilisé si vous le souhaitez, sans que cela n'affecte le bloc-batterie.

Insertion et retrait du bloc batterie dans l'outil

Avertissement! Avant de retirer ou d'installer la batterie, assurez-vous que le bouton de verrouillage est enclenché afin d'éviter l'activation de l'interrupteur.

Pour installer le bloc-batterie

- ◆ Insérez le bloc-batterie fermement dans l'outil jusqu'à entendre un clic comme illustré par la figure A. Assurez-vous que le bloc-batterie est bien en place et complètement verrouillé.

Pour retirer le bloc-batterie

- ◆ Appuyez sur le bouton de libération de la batterie (7) comme illustré par la figure B et tirez sur le bloc-batterie pour le sortir de l'outil.

Interrupteur à gâchette et bouton Marche avant/ Marche arrière - figure C

- ◆ La perceuse est allumée et éteinte en appuyant et en relâchant l'interrupteur à gâchette (1) illustré par la figure C. Plus loin la gâchette est enfoncée, plus la vitesse de la perceuse est élevée.
- ◆ Un bouton de commande Marche avant/Marche arrière (2) détermine le sens de rotation de l'outil et sert également de bouton de verrouillage.
- ◆ Pour sélectionner la rotation à droite, relâchez l'interrupteur à gâchette et enfoncez le bouton de commande Marche avant/Marche arrière sur la droite.
- ◆ Pour inverser le sens de rotation, appuyez sur le bouton de commande Marche avant/Marche arrière sur la gauche.
- ◆ La position centrale du bouton de commande verrouille l'outil en position Arrêt. Lors du changement de position du bouton de commande, assurez-vous que la gâchette est bien relâchée.

Réglage du contrôle de couple - figure D

Cet outil est équipé d'un collier de réglage de couple (3) afin de sélectionner le mode de fonctionnement et de paramétrer le couple pour le serrage des vis. Les grandes vis et les matières à travailler dures nécessitent un couple de serrage plus élevé que les petites vis et les matières tendres.

- ◆ Pour percer du bois, du métal et du plastique, réglez le collier sur le symbole de perçage.
- ◆ Pour visser, réglez le collier dans la position désirée. Si vous ne connaissez pas encore le réglage approprié, effectuez ce qui suit:
 - ◆ Réglez le collier au couple le plus bas.
 - ◆ Vissez la première vis.
 - ◆ Si le mandrin cliquète avant d'avoir atteint le résultat voulu, augmentez le réglage du collier et continuez le serrage de la vis.
 - ◆ Recommencez jusqu'à avoir atteint le bon réglage.
 - ◆ Utilisez ce réglage pour les vis restantes.

Interrupteur à double plage - figure E

La fonctionnalité Plage double de votre perceuse vous permet de changer de vitesse pour plus de polyvalence.

- ◆ Pour sélectionner le paramètre vitesse basse, couple élevé (position 1), éteignez l'outil et laissez-le s'arrêter. Éloignez le sélecteur de vitesse (4) du mandrin.
- ◆ Pour sélectionner le paramètre vitesse haute, couple bas (position 2), éteignez l'outil et laissez-le s'arrêter. Rapprochez le sélecteur de vitesse du mandrin.

Remarque: Ne changez pas la vitesse lorsque l'outil est en marche. En cas de problème pour changer les vitesses, assurez-vous que le sélecteur de vitesse à double plage est complètement poussé vers l'avant ou l'arrière.

mandrin sans clé - figure F

Avertissement ! Avant d'installer ou de retirer des accessoires, assurez-vous que le bloc-batterie est retiré afin d'éviter l'activation de l'outil.

Pour insérer un foret ou un autre accessoire :

- ◆ Maintenez le mandrin (5) et tournez-le dans le sens inverse des aiguilles d'une montre, vu depuis l'extrémité du mandrin.
- ◆ Insérez le foret ou tout autre accessoire complètement dans le mandrin, puis serrez fermement en tournant le mandrin dans le sens des aiguilles d'une montre.

Avertissement! Ne tentez pas de serrer ou de desserrer des forets (ou tout autre accessoire) en saisissant la partie avant du mandrin et en mettant l'outil en marche. Cela pourrait endommager le mandrin et provoquer des blessures lors du changement d'accessoires.

Serrage de vis

- ◆ Pour visser des éléments de fixation, le bouton de commande Marche avant/Marche arrière doit être poussé vers la gauche.
- ◆ Utilisez le sens inverse (bouton poussé vers la droite) pour retirer la fixation.

Remarque: Relâchez toujours la gâchette avant de passer de la marche avant à la marche arrière et vice versa.

Perçage

- ◆ N'utilisez que des forets bien affûtés.
- ◆ Soutenez et fixez la pièce à travailler correctement, comme indiqué dans les consignes de sécurité.
- ◆ Utilisez les équipements de protection appropriés et nécessaires, comme demandé dans les consignes de sécurité.
- ◆ Soutenez et fixez la zone de travail correctement, comme indiqué dans les consignes de sécurité.
- ◆ Commencez le perçage très doucement, avec peu de pression, jusqu'à ce que le trou soit suffisamment formé pour que le foret ne s'en échappe pas.
- ◆ Appliquez une pression perpendiculaire à l'aide du foret. Appuyez suffisamment pour que le foret accroche mais pas trop pour ne pas faire caler le moteur ou endommager le foret.
- ◆ Maintenez fermement la perceuse à deux mains, une main sur la poignée et l'autre au bas autour de la zone de la batterie ou de la poignée supplémentaire le cas échéant.
- ◆ **N'ACTIONNEZ PAS LA GÂCHETTE D'UNE PERCEUSE QUI A CALÉ POUR TENTER DE LA DÉMARRER. CELA PEUT ENDOMMAGER LA PERCEUSE.**
- ◆ Évitez les calages pendant les percées en réduisant la pression et percez doucement la dernière partie du trou.
- ◆ Laissez le moteur tourner en sortant le foret du trou. Cela évite les coincements.
- ◆ Assurez-vous que l'interrupteur allume et éteint la perceuse.

Percer du bois

Le bois peut être percé avec les mêmes forets hélicoïdaux utilisés pour le métal ou avec des mèches à bois avec pointe et traceurs latéraux. Ces forets doivent être affûtés. Ressortez-les fréquemment du trou quand vous percez afin d'éliminer les débris accumulés dans les cannelures du foret.

Percer du métal

Utilisez un lubrifiant de coupe pour percer les métaux. La fonte et le laiton doivent en revanche être percés à sec. Les lubrifiants de coupe les plus appropriés sont à base d'huile sulfurée.

Percer de la pierre

Pour percer de la pierre, réglez le collier (3) à la position de perçage à percussion en alignant le symbole avec le repère. Utilisez des forets de maçonnerie en carbone. Consultez la section Perçage. Maintenez la même force de pression sur la perceuse sans pour autant fissurer la matière friable.

Un écoulement fluide et régulier de poussière indique que la vitesse de perçage est correcte.

Éclairage de travail à LED

Lorsque la perceuse est activée en appuyant sur l'interrupteur à gâchette (1), l'éclairage de travail à LED (8) éclaire automatiquement la zone de travail.

Remarque: L'éclairage de travail sert à éclairer la surface de travail immédiate et elle ne doit pas être utilisée comme lampe torche.

Compartment pour foret

Une fente de rangement pour foret (9) est intégrée à la base de l'outil.

Dépannage

Problème	Cause possible	Solution possible
L'appareil ne démarre pas.	Le bloc-batterie n'est pas installé correctement. Battery pack not charged.	Vérifiez l'installation correcte du bloc-batterie. Vérifiez les exigences en matière de rechargement du bloc-batterie
L'appareil démarre immédiatement après l'insertion de la batterie.	L'interrupteur a été laissé en position "Marche".	L'interrupteur doit être déplacé sur la position "Arrêt" afin d'éviter que l'outil ne démarre immédiatement après l'insertion de la batterie.
Le bloc-batterie ne se recharge pas.	Le bloc-batterie n'est pas correctement inséré dans le chargeur. Le chargeur n'est pas branché. La température ambiante est trop chaude ou trop froide.	Insérez le bloc-batterie dans le chargeur jusqu'à ce que la LED s'allume. Branchez le chargeur dans une prise murale qui fonctionne. Déplacez le chargeur et le bloc-batterie dans un endroit où la température ambiante est supérieure à 40°F (45°C) ou inférieure à 105°F (+40,5C).
L'appareil s'éteint brusquement.	Le bloc-batterie a atteint sa limite thermique maximum. Déchargé. (Pour maximiser la durée de vie du bloc-batterie, il est conçu pour s'arrêter brusquement lorsque la batterie est déchargée.	Laissez le bloc-batterie refroidir. Placez dans le chargeur et laissez recharger.

Maintenance

Votre outil Stanley Fat Max a été conçu pour fonctionner pendant longtemps avec un minimum d'entretien.

Le fonctionnement continu et satisfaisant de l'outil dépend de son entretien adéquat et de son nettoyage régulier.

Le chargeur ne nécessite aucun entretien particulier, à l'exception d'un nettoyage régulier.

Avertissement ! Avant d'entretenir l'outil, retirez la batterie. Débranchez le chargeur avant de le nettoyer.

- ◆ Nettoyez régulièrement les fentes d'aération de votre outil et du chargeur à l'aide d'une brosse souple ou d'un chiffon sec.
- ◆ Nettoyez régulièrement le carter moteur à l'aide d'un chiffon humide.
N'utilisez pas de détergents abrasifs ou à base de solvants.
- ◆ Ouvrez régulièrement le mandrin et retirez la poussière qu'il contient en le tapotant.

Protection de l'environnement



Tri sélectif. Les produits et batteries marqués de ce symbole ne doivent pas être jetés avec les déchets ménagers.

Les produits et batteries contiennent des matières qui peuvent être récupérées et recyclées afin de réduire la demande en matières premières. Veuillez recycler les produits électriques et les batteries conformément aux dispositions locales en vigueur. Pour plus d'informations, consultez le site www.2helpU.com.

Caractéristiques techniques

		FMC626		
Tension	V _{DC}	18V		
Vitesse à vide	Min ⁻¹	0-350/0-1500		
Couple max.	Nm	47		
Capacité du mandrin	mm	13		
Capacité max de perçage				
Acier/Bois/maçonnerie	mm	13/35/13		
Poids	kg	1,2		

Chargeur		905998**	906086**	90636454
Tension d'entrée	V _{AC}	230	230	230
Tension de sortie	V _{DC}	18	18	18
Courant	mA	1000	2000	1000
Durée de charge approximative	Mins	80-240	40-120	80-240

Batterie		FMC685L	FMC687L	FMC684L	FMC688L
Tension	V_{AC}	18	18	18	18
Capacité	Ah	1.5	2.0	1.3	4.0
Type		Li-Ion	Li-Ion	Li-Ion	Li-Ion

Niveau de pression sonore selon la norme 60745 :	
Pression sonore (L_{pA})	87.0 dB(A), incertitud (K) 3 dB(A)
Puissance sonore (L_{WA})	98.0 dB(A), incertitud (K) 3 dB(A)

Vibration total values (triax vector sum) according to EN 60745:	
Perçage métal ($a_{h,D}$)	$<2.5 \text{ m/s}^2$, incertitud (K) 1.5 m/s^2
Perçage d'impact ($a_{h,D}$)	14.9 m/s^2 , incertitud (K) 1.5 m/s^2
Vissage sans percussion ($a_{h,v}$)	$<2.5 \text{ m/s}^2$, incertitud (K) 1.5 m/s^2

Déclaration de conformité CE

DIRECTIVES MACHINES



FMC626 - Perceuse/visseuse

Stanley Europe déclare que les produits décrits dans les « Caractéristiques techniques » sont conformes aux normes : 2006/42/CE, EN60745-1:2009+A11:2010 EN60745-2-1:2010 EN60745-2-2:2010

Ces produits sont également conformes à la Directive 2004/108/CE (jusqu'au 19/04/2016) 2014/30/UE (à partir du 20/04/2016) et 2011/65/UE.

Pour plus de détails, veuillez contacter Stanley Fat Max à l'adresse suivante ou reportez-vous au dos du manuel.

Le soussigné est responsable de la compilation du fichier technique et fait cette déclaration au nom de Stanley Fat Max.

R. Laverick

Engineering Manager

Stanley Fat Max Europe, Egide Walschaertsstraat14-18,

2800 Mechelen, Belgium

19/12/2017

Garantie

Stanley Fat Max assure la qualité de ses produits et offre une garantie* de 12 mois aux utilisateurs, à partir de la date d'achat. Cette garantie s'ajoute à vos droits légaux auxquels elle ne porte aucunement préjudice. Cette garantie est valable au sein des territoires des États membres de l'Union Européenne et au sein de la Zone européenne de libre-échange.

Pour prétendre à la garantie, la réclamation doit être en conformité avec les conditions générales de Stanley Fat Max et vous devez fournir une preuve d'achat au vendeur ou au réparateur agréé. Les conditions générales de la garantie de 1 ans Stanley Fat Max ainsi que l'adresse du réparateur agréé le plus proche sont disponibles sur le site Internet www.2helpU.com ou en contactant votre agence Stanley Fat Max locale à l'adresse indiquée dans ce manuel.

Veuillez consulter notre site Internet www.stanley.eu/3 pour enregistrer votre nouveau produit Stanley Fat Max et pour être tenu informé des nouveaux produits et offres spéciales.

Uso previsto

L'avvitatore/trapano Stanley Fat Max FMC626 è stato progettato per avvitare e per trapanare legno, metallo, plastica e murature. Questo apparecchio è concepito per uso professionale e privato e per utenti non professionisti.

Istruzioni di Sicurezza

Avvisi di sicurezza generici per gli elettrodomestici



Avvertenza! Leggere attentamente tutte le avvertenze e le istruzioni. La mancata osservanza dei presenti avvisi e istruzioni potrebbe causare scosse elettriche, incendi e/o infortuni gravi.

Conservare tutti gli avvertimenti e le istruzioni per consultazioni future. Il termine "elettrodomestico" che ricorre in tutti gli avvisi seguenti si riferisce ad utensili elettrici con o senza filo.

1. Sicurezza nella zona di lavoro

- Mantenere pulita e bene illuminata l'area di lavoro.** Gli ambienti disordinati o scarsamente illuminati favoriscono gli incidenti.
- Evitare di usare gli elettrodomestici in ambienti esposti a rischio di esplosione, ad esempio in presenza di liquidi, gas o polveri infiammabili.** Gli apparati elettrici creano scintille che possono incendiare le polveri o i fumi.
- Tenere lontani bambini e astanti mentre si usa un elettrodomestico.** Le distrazioni possono provocare la perdita di controllo.

2. Sicurezza elettrica

- Le spine elettriche degli elettrodomestici devono essere adatte alla presa. Non modificare la spina in alcun modo. Non collegare un adattatore alla spina di un apparato elettrico dotato di scarico a terra.** Per ridurre il rischio di scossa elettrica evitare di modificare le spine e utilizzare sempre le prese appropriate.
- Evitare il contatto fisico con superfici collegate a terra, tipo tubi, radiatori, forni e frigoriferi.** Se il proprio corpo è collegato con la terra, il rischio di scossa elettrica aumenta.
- Custodire gli elettrodomestici al riparo dalla pioggia o dall'umidità.** Se l'acqua entra nell'apparato elettrico aumenta il rischio di scossa elettrica.
- Non utilizzare il cavo in modo improprio. Non utilizzare mai il cavo per spostare, tirare o scollegare l'apparato elettrico. Tenere il cavo elettrico lontano da fonti di calore, olio, bordi taglienti o parti in movimento.** Se il cavo è danneggiato o impigliato, il rischio di scossa elettrica aumenta.

- Se l'elettrodomestico viene adoperato all'aperto, usare esclusivamente prolunghine omologate per l'impiego all'esterno.** L'uso di un cavo elettrico adatto ad ambienti esterni riduce il rischio di scossa elettrica.
- Se non è possibile evitare di lavorare in una zona umida, usare un'alimentazione elettrica protetta da un dispositivo a corrente residua (RCD).** L'uso di un interruttore differenziale riduce il rischio di scossa elettrica.

3. Sicurezza delle persone

- È importante concentrarsi su ciò che si sta facendo e maneggiare con giudizio l'elettrodomestico. Non utilizzare l'apparato elettrico quando si è stanchi o sotto l'effetto di droghe, alcool o medicinali.** Un solo attimo di distrazione durante l'uso di tali apparati potrebbe provocare gravi lesioni personali.
- Usare l'equipaggiamento di protezione personale. Utilizzare sempre protezioni oculari.** L'uso di abbigliamento di protezione quali mascherine antipolvere, scarpe antinfortunistiche antiscivolo, caschi di sicurezza o protezioni uditive, in condizioni opportune consente di ridurre le lesioni personali.
- Impedire l'avviamento involontario. Accertarsi che l'interruttore di accensione sia regolato su spento prima di collegare l'elettrodomestico all'alimentazione elettrica e/o al battery pack, di prenderlo in mano o di trasportarlo.** Il trasporto di apparati elettrici tenendo il dito sull'interruttore o quando sono collegati alla rete elettrica con l'interruttore nella posizione di acceso provoca incidenti.
- Prima di accendere un elettrodomestico, togliere eventuali utensili o chiavi di regolazione.** Un utensile di regolazione o una chiave fissati su una parte rotante dell'apparato elettrico possono provocare lesioni personali.
- Non sbilanciarsi. Mantenere sempre un appoggio ed equilibrio adeguati.** Ciò consente un migliore controllo dell'apparato nelle situazioni impreviste.
- Vestirsi adeguatamente. Non indossare abiti lenti o gioielli. Tenere i capelli, i vestiti e i guanti lontani dalle parti mobili.** Abiti larghi, gioielli o capelli lunghi possono impigliarsi nelle parti in movimento.
- Se gli elettrodomestici sono provvisti di attacchi per il collegamento di dispositivi di aspirazione o di raccolta della polvere, assicurarsi che questi siano installati e utilizzati correttamente.** La raccolta delle polveri può ridurre i pericoli legati a queste ultime.

4. Uso e cura degli elettrodomestici

- Non sovraccaricare l'elettrodomestico. Utilizzare un apparato adatto al lavoro da eseguire.** L'apparato lavora meglio e con maggior sicurezza se utilizzato secondo quanto è stato previsto.

- b. **Non utilizzare elettroutensili con interruttori difettosi.** Qualsiasi apparato elettrico che non possa essere controllato tramite l'interruttore è pericoloso e deve essere riparato.
- c. **Scollegare la spina dalla presa di corrente e/o il battery pack dall'elettroutensile prima di regolarlo, sostituirne gli accessori o di ripararlo.** Queste misure di sicurezza preventive riducono il rischio di azionare l'apparato accidentalmente.
- d. **Quando non vengono usati, gli elettroutensili devono essere custoditi fuori dalla portata dei bambini. Non consentire l'uso dell'elettroutensile a persone inesperte o che non abbiano letto le presenti istruzioni.** Gli apparati elettrici sono pericolosi in mano a persone inesperte.
- e. **Sottoporre gli elettroutensili a regolare manutenzione. Verificare che le parti mobili siano bene allineate e non inceppate, che non vi siano componenti rotti e che non sussistano altre condizioni che possono compromettere il funzionamento dell'elettroutensile. Se danneggiato, far riparare l'apparato elettrico prima dell'uso.** Molti incidenti sono provocati da apparati elettrici su cui non è stata effettuata la corretta manutenzione.
- f. **Mantenere affilati e puliti gli strumenti da taglio.** La manutenzione corretta degli utensili da taglio con bordi affilati riduce le probabilità di inceppamento e ne facilita il controllo.
- g. **Utilizzare l'elettroutensile, gli accessori e le punte in conformità alle presenti istruzioni, tenendo conto delle condizioni di lavoro e del lavoro da completare.** L'utilizzo dell'apparato elettrico per impieghi diversi da quelli previsti può provocare situazioni di pericolo.
5. **Uso e cura degli apparati a batteria**
- a. **Ricaricare solo usando l'alimentatore prescritto dal fabbricante.** Un caricabatteria adatto per un tipo di gruppo batterie può esporre al rischio d'incendio se usato con pacco batteria diverso.
- b. **Usare gli elettroutensili con gli appositi battery pack.** L'impiego di battery pack di altro tipo potrebbe creare il rischio di lesioni e di incendi.
- c. **Quando il battery pack non viene usato, tenerlo lontano da altri oggetti metallici tipo graffette, monete, chiavi, chiodi, viti o altri oggetti metallici di piccole dimensioni, che potrebbero cortocircuitare un morsetto con l'altro.** Se i morsetti della batteria vengono cortocircuitati si potrebbero causare ustioni o un incendio.
- d. **In condizioni di sovraccarico, le batterie possono perdere liquido: evitare di toccarlo. In caso di contatto accidentale, sciacquare con acqua. Se il liquido entra a contatto con gli occhi, consultare un medico.** Il liquido che fuoriesce dalla batteria può causare irritazioni o ustioni.

6. Assistenza

- a. **Fare riparare l'elettroutensile esclusivamente da personale specializzato e solo usando pezzi di ricambio originali.** In questo modo viene garantita la sicurezza dell'apparato elettrico.

Altri avvisi di sicurezza per gli elettroutensili



Avvertenza! Addizionali avvisi di sicurezza per gli avvitatori/trapani.

- ◆ **Usare le impugnature ausiliarie fornite con l'elettroutensile.** La perdita del controllo può causare lesioni alla persona.
- ◆ **Tenere l'elettroutensile afferrando le impugnature isolate se vi è la possibilità che l'accessorio di taglio possa venire a contatto con cavi nascosti o con il filo di alimentazione.** Gli accessori da taglio che vengono a contatto con un cavo sotto tensione trasmettono la corrente elettrica anche alle parti metalliche esposte dell'apparato e possono provocare la folgorazione dell'operatore.
- ◆ **Tenere l'elettroutensile afferrando le impugnature isolate se vi è la possibilità che la punta dell'avvitatore possa venire a contatto di cavi nascosti o del filo di alimentazione.** I dispositivi di fissaggio che vengono a contatto con un cavo sotto tensione trasmettono la corrente elettrica anche alle parti metalliche esposte dell'apparato e possono provocare la folgorazione dell'operatore.
- ◆ **Usare morse o altri metodi pratici per fissare e bloccare il pezzo da lavorare ad una piattaforma stabile.** Tenere il lavoro con le mani o contro il corpo non assicura la stabilità e potrebbe portare ad una perdita del controllo.
- ◆ Prima di trapanare pareti, pavimenti o soffitti, controllare l'ubicazione di fili e tubazioni.
- ◆ Evitare di toccare la punta di una punta del trapano subito dopo la trapanatura, dato che potrebbe essere calda.
- ◆ L'utilizzo previsto è indicato nel presente manuale. Se questo elettroutensile viene impiegato con accessori o per usi diversi da quelli raccomandati nel presente manuale, potrebbero verificarsi lesioni personali e/o danni alle cose.

Sicurezza altrui

- ◆ Questo elettroutensile non è stato progettato per impiego da parte di persone (o bambini) portatrici di handicap fisici, psichici o sensoriali o che non abbiano la dovuta esperienza o conoscenza, a meno che non siano seguite o opportunamente istruite sul suo impiego da parte di una persona responsabile della loro sicurezza.
- ◆ Controllare che i bambini non giochino con l'elettrodomestico.

Rischi residui

L'utilizzo dell'apparecchio può comportare altri rischi non contemplati negli avvisi di sicurezza qui riportati. Tali rischi possono sorgere a seguito di un uso prolungato o improprio, ecc.

Pur osservando le norme di sicurezza e utilizzando dispositivi di protezione adeguati, certi rischi non possono essere evitati. Sono inclusi:

- ◆ Lesioni causate o subite a seguito del contatto con parti rotanti/in movimento.
- ◆ Lesioni causate o subite durante la sostituzione di parti, lame o accessori.
- ◆ Lesioni causate dall'impiego prolungato di un elettrotensile. Quando si usa qualsiasi apparecchio per lunghi periodi, accertarsi di fare regolarmente delle pause.
- ◆ Menomazioni uditive.
- ◆ Rischi per la salute causati dall'aspirazione di polvere generata dall'utilizzo dell'elettrotensile (ad esempio quando si lavora con il legno, in modo particolare quello di quercia, faggio o l'MDF.)

Vibrazioni

I valori dichiarati delle emissioni di vibrazioni, indicati nei dati tecnici e nella dichiarazione di conformità del presente manuale, sono stati misurati in base al metodo di test standard previsto dalla normativa EN60745 e possono essere usati come paragone tra un attrezzo e un altro. Il valore delle emissioni di vibrazioni dichiarato può anche essere usato come valutazione preliminare dell'esposizione.

Avvertenza! Il valore delle emissioni di vibrazioni durante l'impiego effettivo dell'elettrotensile può variare da quello dichiarato a seconda delle modalità d'uso. Il livello delle vibrazioni può aumentare oltre quello dichiarato.

Quando si valuta l'esposizione alle vibrazioni per determinare le misure di sicurezza richieste dalla normativa 2002/44/CE destinata alla protezione delle persone che usano regolarmente gli elettrotensili nello svolgimento delle proprie mansioni, è necessario prendere in considerazione le condizioni effettive di utilizzo e il modo in cui l'utensile è usato, oltre a tenere in conto tutte le componenti del ciclo operativo, vale a dire i periodi in cui l'elettrotensile è spento, quelli in cui è acceso ma a riposo e quelli in cui è effettivamente utilizzato.

Etichette sull'apparato

Sull'elettrotensile sono presenti i seguenti simboli assieme al codice data:



Avvertenza! Per ridurre il rischio di infortuni, l'utente deve leggere il manuale d'uso.



Indossare protezioni per le orecchie con trapani a percussione. L'esposizione al rumore può causare la perdita dell'udito.

Altre istruzioni di sicurezza per batterie e caricabatteria (non fornite con l'elettrotensile)

Batterie

- ◆ Non tentare mai di aprirle per qualsiasi motivo.
- ◆ Non lasciare che la batteria si bagni.
- ◆ Non riporre in luoghi dove la temperatura potrebbe superare 40 °C.
- ◆ Caricare solo a temperature ambiente tra 10 °C e 40 °C.
- ◆ Caricare solo usando il caricabatterie fornito con l'elettrotensile.
- ◆ Quando si smaltiscono le batterie, seguire le istruzioni riportate al capitolo "Protezione dell'ambiente".



Non tentare di caricare delle batterie danneggiate.

Caricabatterie

- ◆ Usare l'alimentatore Stanley Fat Max solo per caricare la batteria nell'apparecchio con il quale è stato fornito. Altre batterie potrebbero scoppiare causando lesioni alle persone e danni alle cose.
- ◆ Non tentare mai di caricare batterie non ricaricabili.
- ◆ Fare sostituire immediatamente i fili di alimentazione difettosi.
- ◆ Non lasciare che il caricabatterie si bagni.
- ◆ Non aprire il caricabatterie.
- ◆ Non collegare il caricabatterie a sonde.



Il caricabatteria può solo essere usato all'interno.



Leggere il presente manuale d'uso prima dell'impiego.

Sicurezza elettrica



Il doppio isolamento di cui è provvisto il caricabatteria rende superfluo il filo di terra. Controllare sempre che la tensione di rete corrisponda a quella indicata sulla targhetta dei dati tecnici. Non tentare mai di sostituire il caricabatteria con una normale spina elettrica.

- ◆ In caso di danneggiamento del filo di alimentazione, è necessario farlo riparare dal fabbricante o presso un centro assistenza Stanley Fat Max autorizzato in modo da evitare eventuali pericoli.

Caratteristiche

Questo apparecchio presenta alcune o tutte le seguenti caratteristiche.

1. Interruttore a grilletto
2. Pulsante avanti/indietro
3. Collare di regolazione coppia
4. Selettore di marce doppie
5. Mandrino autoserrante
6. Batteria
7. Pulsante di rilascio della batteria
8. Luce di lavoro a LED
9. Portapunte

Utilizzo

Avvertenza! Lasciare che l'elettrotensile funzioni al suo ritmo. Non sovraccaricarlo.

Ricarica della batteria

La batteria deve essere caricata prima dell'impiego iniziale e quando non eroga una potenza sufficiente per lavori che prima era possibile eseguire facilmente. Durante la carica, la batteria potrebbe riscaldarsi. Si tratta di un fatto normale che non indica che vi è un problema.

Avvertenza! Non caricare la batteria a temperature ambiente inferiori a 10 °C o superiori a 40 °C. La temperatura di ricarica consigliata è di circa 24 °C.

Nota: il caricabatteria non carica una batteria se la temperatura della cella è inferiore a 10 °C o superiore a 40 °C.

La batteria deve essere lasciata nel caricabatteria, che incomincerà a caricare automaticamente quando la temperatura della cella aumenta o diminuisce.

- ◆ Collegare il caricatore ad una presa adatta prima di inserire il gruppo batterie.
- ◆ Inserire il pacco batteria nel caricatore.



L'indicatore LED verde lampeggia mentre la carica è in corso.



Il completamento della ricarica sarà indicato dal LED verde che rimane sempre acceso. La batteria è completamente carica e può essere utilizzata subito o lasciata nel caricabatteria.

Avvertenza! Ricaricare le batterie scariche al più presto possibile dopo l'uso o la durata della batteria potrebbe diminuire notevolmente.

Diagnostica del caricabatterie

Questo caricabatterie è progettato per rilevare alcuni problemi che possono insorgere con i battery pack o la fonte di alimentazione. I problemi sono indicati da un LED che lampeggia secondo schemi differenti.

Batteria guasta



Il caricabatterie è in grado di rilevare una batteria scarica o danneggiata. Il LED rosso lampeggia secondo lo schema indicato sull'etichetta. Se compare questo schema di batteria guasta, non continuare a caricare la batteria. Restituirla presso un centro di servizio o un sito di raccolta per il riciclaggio.

Ritardo pacco caldo/freddo



Quando il caricabatteria rileva una batteria troppo calda o troppo fredda avvia automaticamente un ritardo pacco caldo/freddo, sospendendo il caricamento finché la batteria non ha raggiunto la temperatura normale. Dopo di ciò, il caricabatteria passa automaticamente alla modalità di ricarica del pacco. Questa funzione garantisce la massima durata della batteria. Il LED rosso lampeggia secondo lo schema indicato sull'etichetta quando viene rilevato un ritardo pacco caldo/freddo.

Problema alla linea di alimentazione



Quando il caricatore viene utilizzato con alcune fonti di alimentazione portatili come generatori o fonti che convertono la corrente CC in CA, il caricabatteria potrebbe sospendere temporaneamente il funzionamento. Il LED lampeggia secondo lo schema indicato sull'etichetta. Questo indica che la sorgente di alimentazione ha superato i limiti.

Batteria lasciata nel caricabatteria

Il caricabatteria e il battery pack possono essere lasciati collegati con il LED sempre acceso.

Il caricabatteria manterrà il battery pack come nuovo e completamente carico.

Note importanti sul caricamento

- ◆ È possibile ottenere la massima durata e prestazioni ottimali se la batteria viene caricata quando la temperatura dell'aria è compresa tra 18° e 24°C. NON caricare il pacco batteria a una temperatura dell'aria al di sotto di +40°F (+4,5°C), o al di sopra di +105°F (+40,5°C). Questo è importante e consentirà di evitare gravi danni al pacco batteria.
- ◆ Il caricatore e il battery pack possono diventare caldi al tatto durante la carica. È un fatto normale che non indica la presenza di problemi. Per facilitare il raffreddamento del battery pack dopo l'uso, evitare di posizionare il caricatore o il battery pack in un ambiente caldo come ad esempio in un capannone di metallo, o un rimorchio non isolato.
- ◆ Se il battery pack non si ricarica correttamente:
 - ◆ Controllare la presenza di corrente nella presa collegandovi una lampada o apparecchio simile.
 - ◆ Verificare se la presa è collegata ad un interruttore della luce che si spegne quando si spengono le luci.
 - ◆ Spostare il caricatore e il battery pack in un luogo dove la temperatura dell'aria circostante è di circa 18° - 24°C). d. Se i problemi di ricarica persistono, portare l'utensile, la batteria e il caricabatterie presso il centro di assistenza Stanley Fat Max di zona.
- ◆ Il battery pack deve essere sostituito se non riesce a produrre energia a sufficienza per lavorazioni che prima venivano svolte con facilità.
- ◆ NON CONTINUARE l'utilizzo in queste condizioni. Seguire la procedura di ricarica.
- ◆ È anche possibile caricare un pacco parzialmente utilizzato ogni volta che si desidera senza alcun effetto negativo sulla batteria.

Inserimento e rimozione del battery pack dall'utensile

Avvertenza! Verificare che il pulsante di bloccaggio sia attivo per evitare l'azionamento dell'interruttore mentre si estrae o si inserisce la batteria.

Per installare il battery pack

- ◆ Inserire il battery pack saldamente nell'utensile fino a quando non si sente uno scatto come in figura A. Assicurarsi che il battery pack sia completamente inserito e bloccato in posizione.

Per rimuovere il battery pack

- ◆ Premere il pulsante di rilascio della batteria (7) come indicato in figura B ed estrarre la batteria dall'utensile.

Interruttore a grilletto e pulsante avanti/indietro - figura C

- ◆ Il trapano viene acceso e spento tirando e rilasciando l'interruttore a grilletto (1) indicato in figura C. Più è premuto il grilletto, maggiore è la velocità del trapano.
- ◆ Un pulsante di comando avanti/indietro (2) determina la direzione dell'elettrotensile e funge anche da pulsante di sicurezza.
- ◆ Per selezionare la rotazione in avanti, rilasciare l'interruttore di azionamento e premere il pulsante di controllo avanti/indietro sul lato destro dell'apparato.
- ◆ Per selezionare la rotazione inversa, premere il pulsante di controllo avanti/indietro sul lato sinistro dell'apparato.
- ◆ La posizione centrale del pulsante di controllo blocca l'apparato in posizione spenta. Assicurarsi di avere rilasciato il grilletto prima di cambiare la posizione del pulsante di controllo.

Regolazione del controllo della coppia - figura D

L'elettrotensile è dotato di collare di regolazione della coppia (3) per selezionare la modalità operativa e per tarare la coppia di avvitamento delle viti. Le viti di grandi dimensioni e i pezzi in materiale più duro richiedono una coppia maggiore delle viti più piccole e dei pezzi in materiale più tenero.

- ◆ Per trapanare legno, metallo e plastica, regolare il collare sul simbolo del trapano.
- ◆ Per l'avvitatura, regolarlo sulla taratura desiderata. Se non si sa ancora quale taratura usare, procedere come descritto di seguito:
 - ◆ Regolare il collare sulla taratura di coppia più bassa.
 - ◆ Serrare la prima vite.
 - ◆ Se la frizione scatta prima di aver ottenuto il risultato desiderato, aumentare la taratura del collare e continuare ad avvitare la vite.
 - ◆ Ripetere fino a ottenere la taratura corretta.
 - ◆ Usare questa taratura per le viti rimanenti.

Interruttore a due intervalli - figura E

La funzione del selettore marce a due intervalli del trapano a batteria consente di cambiare marce per una maggiore versatilità.

- ◆ Per selezionare un'impostazione a velocità bassa, coppia elevata (posizione 1), spegnere l'utensile e lasciare che si arresti. Far scorrere il selettore marce (4) indietro (lontano dal mandrino).
- ◆ Per selezionare la velocità alta, con coppia bassa (posizione 2), spegnere l'elettrotensile e lasciare che si fermi. Far scorrere il selettore marce verso il mandrino.

Nota: Non cambiare marce quando l'apparato è in funzione. In caso di difficoltà con il cambio delle marce, assicurarsi che il selettore marce a due intervalli sia completamente spinto in avanti o completamente spinto indietro.

mandrino autoserrante - figura F

Avvertenza! Assicurarsi che il battery pack sia rimosso per evitare l'azionamento dell'utensile prima dell'installazione o rimozione degli accessori. Per infilare una punta da trapano o altri accessori:

- ◆ Afferrare il mandrino (5) e ruotarlo in direzione antioraria, vista dal lato del mandrino.
- ◆ Infilare la punta o un altro accessorio completamente nel mandrino e serrare saldamente ruotando il mandrino in senso orario come visto dall'estremità del mandrino.

Avvertenza! Non tentare di serrare o allentare le punte (o qualsiasi altro accessorio) afferrando la parte anteriore del mandrino e accendendo l'apparato. Durante il cambio degli accessori, si potrebbero causare danni al mandrino e lesioni personali.

Avvitatura

- ◆ Quando si avvitano delle viti, il pulsante avanti/indietro deve essere spostato verso sinistra.
- ◆ Utilizzare indietro (pulsante premuto a destra) per rimuovere le viti.

Nota: quando si passa da avanti a indietro, o viceversa, rilasciare sempre prima il grilletto.

Foratura

- ◆ Utilizzare solamente punte di trapano appuntite.
- ◆ Supportare e fissare il lavoro correttamente, come indicato nelle Istruzioni di sicurezza.
- ◆ Utilizzare le apparecchiature di sicurezza appropriate, come indicato nelle Istruzioni di sicurezza.
- ◆ Mettere in sicurezza e mantenere l'area di lavoro, come indicato nelle Istruzioni di sicurezza.
- ◆ Far funzionare il trapano molto lentamente, con una leggera pressione, fino a quando il foro è sufficientemente profondo da evitare la fuoriuscita della punta.
- ◆ Esercitare la pressione perpendicolarmente alla punta. Usare una pressione sufficiente a permettere alla punta di eseguire il foro, ma non così eccessiva da far spegnere il motore o da spostare la punta.
- ◆ Tenere il trapano saldamente con due mani, una mano sulla maniglia, e l'altra che tiene il fondo intorno alla zona batteria o la maniglia ausiliaria se in dotazione.
- ◆ **NON PREMERE VARIE VOLTE L'INTERRUTTORE DI ACCENSIONE A GRILLETTO DI UN TRAPANO ARRESTATO PER TENTARE DI RIAVVIARLO. IL TRAPANO POTREBBE SUBIRE DANNI.**
- ◆ Contenere al massimo la possibilità di arresto iniziale, riducendo la pressione e trapanando lentamente l'ultima porzione del foro.
- ◆ Tenere acceso il motore mentre si estrae la punta da un foro trapanato. In questo modo si riducono gli inceppamenti.

- ◆ Assicurarsi che l'interruttore accenda e spenga il trapano

Trapanatura del legno

I fori nel legno possono essere eseguiti con la medesima punta da trapano usata per il metallo o con punta a lancia. Queste punte devono essere affilate e devono essere estratte frequentemente per eliminare i trucioli dalle scanalature del trapano.

Trapanatura del metallo

Utilizzare un lubrificante da taglio quando si forano metalli. Fanno eccezione la ghisa e l'ottone che vanno forati a secco. Gli oli da taglio che funzionano meglio di tutto sono quelli solforati o l'olio di lardo.

Trapanatura di murature

Per trapanare murature, regolare il collare (3) alla posizione di trapanatura allineando il simbolo alla marcatura. Usare punte per muratura con inserto in carburo. Consultare la sezione Trapanatura. Mantenere una pressione uniforme sul trapano, ma non così eccessiva da incrinare il materiale fragile. La fuoriuscita continua e regolare di polvere dal foro è indice di un funzionamento adeguato.

Luce di lavoro a LED

Quando il trapano viene attivato tirando l'interruttore a grilletto (1), la luce di lavoro LED integrata (8) illumina automaticamente l'area di lavoro.

Nota: la luce di lavoro è intesa per la superficie immediata di lavoro e non deve essere usata come torcia per illuminazione.

Portapunte

Uno slot portapunte (9) è costruito nella base dell'utensile.

Ricerca guasti

Problema	Possibile causa	Eventuale soluzione
L'unità non parte.	Il battery pack non è stato montato correttamente. Battery pack non caricato.	Controllare il montaggio del battery pack. Controllare i requisiti di carica del battery pack.
L'unità parte immediatamente all'inserimento della batteria.	L'interruttore è stato lasciato in posizione "on".	L'interruttore deve essere spostato su "off" per impedire l'avvio immediato dell'utensile quando viene inserita la batteria.

Problema	Possibile causa	Eventuale soluzione
Il battery pack non si carica.	Il battery pack non è inserito nell'alimentatore. Alimentatore non collegato a una presa di corrente. Temperatura dell'aria circostante troppo calda o troppo fredda.	Inserire il battery pack nell'alimentatore fino a quando il LED si illumina. Collegare l'alimentatore a una presa di corrente che funzioni. Spostare il caricabatteria e il battery pack ad una temperatura dell'aria circostante al di sopra di 45 °C o al di sotto di +40,5 °C
L'unità si spegne improvvisamente.	Il pacco batteria ha raggiunto il limite termico massimo. Carica esaurita. (Per massimizzare la durata della batteria il battery pack è progettato per spegnersi improvvisamente quando la carica è esaurita)	Lasciare che il battery pack si raffreddi. Posizionare sul caricabatteria e consentire la ricarica

Manutenzione

Questo elettrotensile Stanley Fat Max è stato progettato per funzionare a lungo con una manutenzione minima. Prestazioni sempre soddisfacenti dipendono da una cura appropriata e da una pulizia regolare.

Il caricabatteria non richiede nessuna manutenzione salvo una regolare pulizia.

Avvertenza! Prima di eseguire interventi di manutenzione sull'elettrotensile, estrarre la batteria. Scollegare l'alimentatore dalla spina prima di pulirlo.

- ◆ Pulire regolarmente le prese di ventilazione dell'elettrotensile e dell'alimentatore con un pennello o con un panno morbido e asciutto.
- ◆ Il vano del motore deve essere pulito regolarmente con un panno umido.
Non usare materiali abrasivi o detersivi a base di solventi.
- ◆ Aprire regolarmente il mandrino e batterlo leggermente per eliminare la polvere dall'interno.

Protezione dell'ambiente



Raccolta differenziata. I prodotti e le batterie contrassegnati con questo simbolo devono essere smaltiti con i rifiuti domestici normali.

I prodotti e le batterie contengono materiali che possono essere recuperati o riciclati riducendo la richiesta di materie prime.

Riciclare i prodotti elettrici e le batterie secondo le disposizioni locali. Ulteriori informazioni sono disponibili all'indirizzo www.2helpU.com

Dati tecnici

FMC626		
Tensione	V_{DC}	18V
Velocità a vuoto	Min^{-1}	0-350/0-1500
Coppia max	Nm	47
Capacità del mandrino	mm	13
Capacità di trapanatura max		
Acciaio/legno/massoneria	mm	13/35/13
Peso	kg	1.2

Caricabatteria	905998**	906086**	90636454	
Tensione in ingresso	V_{AC}	230	230	230
Tensione erogata	V_{DC}	18	18	18
Corrente	mA	1000	2000	1000
Tempo di carica approssimativo	Mins	80-240	40-120	80-240

Batteria	FMC685L	FMC687L	FMC684L	FMC688L	
Tensione	V_{AC}	18	18	18	18
Capacità	Ah	1.5	2.0	1.3	4.0
Tipo	Li-Ion	Li-Ion	Li-Ion	Li-Ion	

Livello di pressione sonora misurato in base a EN 60745:

Pressione sonora (L_{pA}) 87.0 dB(A), incertezza (K) 3 dB(A)

Potenza acustica (L_{WA}) 98 dB(A), incertezza (K) 3 dB(A)

Vibration total values (triax vector sum) according to EN 60745:

Trapanatura nel metallo ($a_{h,D}$) <2.5 m/s^2 , incertezza (K) 1.5 m/s^2

Impatto perforazione ($a_{h,D}$) 14.9 m/s^2 , incertezza (K) 1.5 m/s^2

Avvitatura senza funzione battente (a_h) <2.5 m/s^2 , incertezza (K) 1.5 m/s^2

Dichiarazione di conformità CE

DIRETTIVA MACCHINE



Trapano/avvitatore FMC626 L'avvitatore/trapano

Stanley Fat Max dichiara che questi prodotti descritti al paragrafo "Dati tecnici" sono conformi a:
2006/42/EC, EN60745-1:2009+A11:2010 EN60745-2-1:2010
EN60745-2-2:2010

Questi prodotti sono anche conformi alla direttiva
2004/108/CE (fino al 19/04/2016)
2014/30/EU (da 20/04/2016)
e 2011/65/EU.

Per ulteriori informazioni contattare Stanley Fat Max al seguente indirizzo oppure consultare l'ultima di copertina del manuale.

Il firmatario è responsabile della compilazione del documento tecnico e rende questa dichiarazione per conto di Stanley Fat Max.

R. Laverick
Engineering Manager
Stanley Fat Max Europe, Egide Walschaertsstraat14-18,
2800 Mechelen, Belgium
19/12/2017

Garanzia

Stanley Fat Max è sicura della qualità dei propri prodotti e offre ai consumatori una garanzia di 12 mesi dalla data di acquisto. Il presente certificato di garanzia è complementare ai diritti legali e non li pregiudica in alcun modo. La garanzia è valida sui territori degli stati membri dell'Unione Europea o dell'EFTA (Associazione europea di libero scambio).

Per attivare la garanzia, il reclamo deve essere effettuato in accordo con i Termini e Condizioni Stanley Fat Max e sarà necessario presentare la prova di acquisto al venditore o all'agente di riparazione autorizzato. I Termini e condizioni della garanzia Stanley Fat Max di 1 anni e la sede dell'agente di riparazione autorizzato più vicino sono consultabili su Internet all'indirizzo www.2helpU.com, o contattando l'ufficio Stanley Fat Max di zona all'indirizzo indicato in questo manuale.

Visitare il nostro sito www.stanley.eu/3 per registrare il nuovo prodotto Stanley Fat Max e ricevere gli aggiornamenti sui nuovi prodotti e le offerte speciali.

Bedoeld gebruik

Uw Stanley Fat Max-boormachine/schroevendraaier FMC626 is ontworpen voor gebruik als schroevendraaier en als boormachine voor het boren in hout, metaal, kunststof en zacht metselwerk. Dit apparaat is bedoeld voor professioneel gebruik en voor privé-gebruik.

Instructies voor de veiligheid

Algemene veiligheidswaarschuwingen voor elektrisch gereedschap



Waarschuwing! Lees alle veiligheidsaanschuwingen en alle instructies. Wanneer de volgende waarschuwingen en voorschriften niet in acht worden genomen, kan dit een elektrische schok, brand of ernstig letsel tot gevolg hebben.

Bewaar alle waarschuwingen en instructies als referentiemateriaal. De term 'elektrisch gereedschap' die hieronder in waarschuwingen wordt vermeld, heeft betrekking op elektrisch gereedschap voor gebruik op de wisselstroomvoorziening (met netsnoer) of op een accu (snoerloos).

1. Veilige werkomgeving

- a. **Houd uw werkomgeving schoon en zorg voor goede verlichting.** Op rommelige of donkere plaatsen gebeuren vaak ongelukken.
- b. **Gebruik elektrisch gereedschap niet in een omgeving met explosiegevaar, zoals in de nabijheid van brandbare vloeistoffen, gasen of stof.** Elektrisch gereedschap genereert vonken die het stof of de dampen kunnen doen ontbranden.
- c. **Houd kinderen en omstanders op een afstand wanneer u met elektrisch gereedschap werkt.** Als u wordt afgeleid, kunt u de controle over het gereedschap verliezen.

2. Elektrische veiligheid

- a. **De stekker van het gereedschap moet in het stopcontact passen. Breng nooit op welke manier dan ook wijzigingen aan in de stekker. Gebruik geen adapterstekkers samen met geaard elektrisch gereedschap.** Niet-gewijzigde stekkers en bijbehorende stopcontacten verminderen het risico op een elektrische schok.
- b. **Vermijd aanraking van het lichaam met geaarde oppervlakken, bijvoorbeeld leidingen, radiatoren, fornuizen en koelkasten.** Er bestaat een verhoogd risico van een elektrische schok als uw lichaam contact heeft met aarde.

- c. **Stel het gereedschap niet bloot aan regen of natte omstandigheden.** Als er water in een elektrisch gereedschap dringt, verhoogt dit het risico van een elektrische schok.
- d. **Gebruik het snoer niet op een verkeerde manier. Draag het elektrisch gereedschap niet aan het snoer, trek het gereedschap niet aan het snoer naar u toe en trek niet de stekker aan het snoer uit het stopcontact. Houd het snoer uit de buurt van warmte, olie, scherpe randen, of bewegende onderdelen.** Beschadigde snoeren of snoeren die in de war zijn geraakt, verhogen het risico van een elektrische schok.
- e. **Gebruik, wanneer u buitenshuis met elektrisch gereedschap werkt, alleen verlengsnoeren die zijn goedgekeurd voor gebruik buitenshuis.** Het gebruik van een verlengsnoer dat geschikt is voor gebruik buitenshuis, vermindert het risico van een elektrische schok.
- f. **Als u elektrisch gereedschap moet gebruiken in een vochtige ruimte, kunt u het beste een reststroomschakelaar (RCD) gebruiken.** Gebruik van een reststroomschakelaar vermindert het risico van een elektrische schok.

3. Persoonlijke veiligheid

- a. **Blijf alert, let goed op wat u doet en ga verstandig te werk bij het gebruik van elektrisch gereedschap. Werk niet met elektrisch gereedschap wanneer u vermoed bent of onder de invloed van drugs, alcohol of medicatie bent.** Een moment van onoplettendheid tijdens het werken met elektrisch gereedschap kan leiden tot ernstig persoonlijk letsel.
- b. **Draag persoonlijke beschermende uitrusting. Draag altijd oogbescherming.** Beschermende uitrusting, zoals een stofmasker, antislip veiligheidsschoenen, een helm, of gehoorbescherming, gebruikt in de juiste omstandigheden, zal het risico van persoonlijk letsel verminderen.
- c. **Let erop dat het gereedschap niet onbedoeld kan worden gestart. Controleer dat de schakelaar in de uit-stand staat voordat u het gereedschap aansluit op het stopcontact en/of de accu en voordat u het gereedschap optilt of gaat dragen.** Het dragen van elektrisch gereedschap met uw vinger op de schakelaar of het aanzetten van elektrische gereedschap waarvan de schakelaar op aan staat, kan leiden tot ongelukken.
- d. **Verwijder instelgereedschap of steeksleutels voordat u het gereedschap inschakelt.** Door een stuk gereedschap of een sleutel in een draaiend deel van het elektrisch gereedschap kan persoonlijk letsel ontstaan.
- e. **Reik niet buiten uw macht. Blijf altijd stevig en in balans op de grond staan.** U heeft dan betere controle over het elektrisch gereedschap in onverwachte situaties.

- f. **Draag geschikte kleding. Draag geen loszittende kleding en geen sieraden. Houd uw haar, kleding en handschoenen weg bij bewegende onderdelen.** Loszittende kleding, sieraden of lang haar kunnen door bewegende delen worden gegrepen.
- g. **Als apparaten voor stofafzuiging of stofopvang worden geleverd, is het belangrijk dat deze goed worden aangesloten en op juiste wijze worden gebruikt.** Door middel van stofopvang kunnen stofgerelateerde gevaren worden beperkt.
4. **Gebruik en onderhoud van elektrisch gereedschap**
- a. **Gebruik het elektrisch gereedschap met beleid. Gebruik het juiste elektrisch gereedschap voor uw toepassing.** Met het juiste elektrisch gereedschap kunt u werkzaamheden beter en veiliger uitvoeren.
- b. **Werk niet met het elektrisch gereedschap als de aan/uit-schakelaar Niet werkt.** Ieder elektrisch gereedschap dat niet met de schakelaar kan worden bediend, is gevaarlijk en moet worden gerepareerd.
- c. **Trek de stekker uit het stopcontact en/of de accu uit het elektrisch gereedschap voordat u het gereedschap instelt, accessoires wisselt of het elektrisch gereedschap opbergt.** Dergelijke preventieve veiligheidsmaatregelen verminderen het risico dat het elektrische gereedschap per ongeluk opstart.
- d. **Bewaar elektrisch gereedschap dat niet wordt gebruikt, buiten bereik van kinderen. Laat het gereedschap niet gebruiken door personen die er niet vertrouwd mee zijn en die deze aanwijzingen niet hebben gelezen.** Elektrisch gereedschap is gevaarlijk in handen van ongeoefende gebruikers.
- e. **Elektrisch gereedschap onderhouden. Controleer dat bewegende delen van het gereedschap goed zijn uitgelijnd en niet klemmen, en dat er geen onderdelen zijn beschadigd of in een dergelijke staat zijn dat dat gevolgen heeft voor de werking van het gereedschap. Zorg dat het gereedschap voor gebruik wordt gerepareerd als het beschadigd is.** De oorzaak van veel ongelukken is dat het gereedschap slecht is onderhouden.
- f. **Houd snij-en zaaggereedschap scherp en schoon.** Op juiste wijze onderhouden snij- en zaaggereedschap dat goed is geslepen, zal minder snel vastlopen en is gemakkelijker te controleren.
- g. **Gebruik elektrisch gereedschap, accessoires, bitjes en zaagjes en dergelijke volgens deze aanwijzingen. Let daarbij op de werkomstandigheden en de uit te voeren werkzaamheden.** Gebruik van het elektrisch gereedschap voor werkzaamheden die afwijken van het bedoelde gebruik, kunnen leiden tot een gevaarlijke situatie.
5. **Gebruik en onderhoud van accugereedschap**
- a. **Laad accu's alleen op met de door de fabrikant opgegeven lader.** Een lader die geschikt is voor het ene type accu, kan een risico van brand doen ontstaan bij gebruik met een andere accu.
- b. **Gebruik elektrisch gereedschap alleen in combinatie met specifiek aangeduide accu's.** Het gebruik van andere accu's kan gevaar voor letsel en brand doen ontstaan.
- c. **Houd de accu, wanneer u deze niet gebruikt, weg bij andere metalen objecten zoals paperclips, munten, sleutels, spijkers, schroeven of andere kleine metalen voorwerpen die een verbinding tot stand kunnen brengen tussen de ene pool en de andere.** Als kortsluiting tussen de polen van de batterijen wordt gemaakt, kan dit tot brandwonden of brand leiden.
- d. **Wanneer de accu slecht wordt behandeld, kan er vloeistof uit de accu spuiten, vermijd contact met deze vloeistof. Als er per ongeluk contact ontstaat, spoel dan met water. Als de vloeistof in de ogen komt, roep dan tevens medische hulp in.** Vloeistof die uit de batterij komt, kan irritatie en brandwonden veroorzaken.
6. **Service**
- a. **Laat het gereedschap alleen repareren door gekwalificeerd en vakkundig personeel en alleen met originele vervangende onderdelen.** Dit maakt dat de veiligheid van het gereedschap blijft gehandhaafd.

Aanvullende veiligheidswaarschuwingen voor elektrisch gereedschap



Waarschuwing! Aanvullende veiligheidswaarschuwingen voor boormachines/schroevendraaiers.

- ◆ **Gebruik de extra handgrepen die bij het gereedschap worden geleverd.** Verlies van controle kan leiden tot persoonlijk letsel.
- ◆ **Houd het gereedschap vast bij de geïsoleerde greepoppervlakken wanneer u een handeling uitvoert waarbij het snij/zaag-accessoire met verborgen bedrading in aanraking kan komen.** Een accessoire van snij/zaaggereedschap dat in contact komt met bedrading waar spanning op staat, kan metalen onderdelen van het gereedschap onder stroom zetten en de gebruiker een elektrische schok geven.
- ◆ **Houd het gereedschap vast bij de geïsoleerde greepoppervlakken wanneer u een handeling uitvoert waarbij het bevestiging al met verborgen bedrading in aanraking kan komen.** Bevestigingsmateriaal dat in contact komt met bedrading die onder stroom staat, kan metalen onderdelen van het gereedschap onder stroom zetten en de gebruiker een elektrische schok geven.

- ◆ **Zet het werkstuk met klemmen of op een andere praktische manier vast en ondersteun het werkstuk op een stabiel plateau.** Wanneer u het werkstuk vasthoudt met de hand of het tegen uw lichaam gedrukt houdt, is het instabiel en kunt u de controle verliezen.
- ◆ Controleer waar zich bedrading en leidingen bevinden voordat u in muren, vloeren of plafonds boort.
- ◆ Raak de punt van een boor niet meteen na het boren aan. Deze kan heet zijn.
- ◆ Het bedoeld gebruik wordt beschreven in deze gebruiksaanwijzing. Het gebruik van andere accessoires of hulpstukken dan wel de uitvoering van andere handelingen met dit gereedschap dan die in deze gebruikershandleiding worden aanbevolen, kan leiden tot een risico van persoonlijk letsel en/of materiële schade.

Veiligheid van anderen

- ◆ Dit gereedschap mag niet worden gebruikt door personen (waaronder kinderen) die lichamelijk of geestelijk minder valide zijn of die geen ervaring met of kennis van dit gereedschap hebben, tenzij ze onder toezicht staan of instructies krijgen wat betreft het gebruik van het gereedschap, van een persoon die verantwoordelijk is voor hun veiligheid.
- ◆ Houd toezicht op kinderen zodat zij niet met het apparaat kunnen spelen.

Overige risico's

Er kunnen zich nog andere risico's voordoen bij het gebruik van dit gereedschap, die mogelijk niet in de bijgesloten veiligheids waarschuwingen zijn beschreven. Deze risico's kunnen zich voordoen als gevolg van onoordeelkundig gebruik, langdurig gebruik, enz.

Zelfs als de veiligheidsvoorschriften in acht worden genomen en de veiligheidshulpmiddelen worden gebruikt, kunnen bepaalde risico's niet worden vermeden. Dit zijn onder meer:

- ◆ Verwondingen die worden veroorzaakt door het aanraken van draaiende/bewegende onderdelen.
- ◆ Verwondingen die worden veroorzaakt bij het vervangen van onderdelen, zaagbladen of accessoires.
- ◆ Verwondingen die worden veroorzaakt door langdurig gebruik van gereedschap. Als u langere periodes met het gereedschap werkt, is het raadzaam regelmatig een pauze in te lassen.
- ◆ Gehoorbeschadiging.
- ◆ Gezondheidsrisico's als gevolg van het inademen van stof dat door gebruik van het apparaat wordt veroorzaakt (bijvoorbeeld tijdens het werken met hout, met name eiken, beuken en MDF).

Trillingen

De aangegeven waarden voor trillingsemisatie in de technische gegevens en de conformiteitsverklaring zijn gemeten conform een standaardtestmethode die door EN 60745 wordt aangeboden. Hiermee kan het ene gereedschap met het andere worden vergeleken. De aangegeven waarde voor trillingsemisatie kan ook worden gebruikt bij een voorlopige bepaling van blootstelling.

Waarschuwing! De waarde voor trillingsemisatie tijdens het werkelijke gebruik van het gereedschap kan verschillen van de aangegeven waarde afhankelijk van de manieren waarop het gereedschap wordt gebruikt. Het trillingsniveau kan hoger worden dan het aangegeven niveau.

Wanneer de blootstelling aan trillingen wordt vastgesteld teneinde veiligheidsmaatregelen te bepalen die worden vereist door 2002/44/EG ter bescherming van personen die tijdens hun werk regelmatig elektrische gereedschappen gebruiken, moet bij een schatting van de blootstelling aan trillingen rekening worden gehouden met de werkelijke omstandigheden van het gebruik en de manier waarop het gereedschap wordt gebruikt. Daarbij moet ook rekening worden gehouden met alle stappen in de gebruikscyclus, zoals het moment waarop het gereedschap wordt uitgeschakeld en wanneer het gereedschap stationair loopt alsook de aanlooptijd.

Etiketten op het gereedschap

Naast de datumcode is het gereedschap voorzien van de volgende symbolen:



Waarschuwing! De gebruiker moet de instructiehandleiding lezen om het risico op letsel te verminderen.



Draag oorbeschermers met kloppomachines. Blootstelling aan lawaai kan leiden tot gehoorverlies.

Aanvullende veiligheidsinstructies voor accu's en laders (niet meegeleverd met het gereedschap)

Accu's

- ◆ Probeer nooit, om welke reden dan ook, de accu open te maken.
- ◆ Stel de accu niet bloot aan water.
- ◆ Bewaar de accu niet op locaties waar de temperatuur kan stijgen tot boven de 40 °C.
- ◆ Laad de accu alleen op bij een omgevingstemperatuur tussen 10 °C en 40 °C.
- ◆ Gebruik alleen de lader die bij het apparaat is geleverd.
- ◆ Gooi lege accu's weg volgens de instructies in het gedeelte "Milieu".



Laad beschadigde accu's niet op.

Laders

- ◆ Gebruik de lader van Stanley Fat Max alleen voor de accu's in het apparaat waarbij de lader is geleverd. Andere accu's kunnen openbarsten, met letsel en materiële schade als gevolg.
- ◆ Niet-oplaadbare accu's mogen nooit worden opgeladen.
- ◆ Een defect snoer moet direct worden vervangen.
- ◆ Stel de lader niet bloot aan water.
- ◆ Maak de lader niet open.
- ◆ Prik nooit met een scherp voorwerp in de lader.



De lader is uitsluitend bestemd voor gebruik binnenshuis.



Lees voor gebruik deze gebruikershandleiding.

Elektrische veiligheid



De lader is dubbel geïsoleerd, zodat een verbinding met aarde niet nodig is. Controleer altijd dat de netspanning overeenkomt met de spanningsaanduiding op het typeplaatje. Probeer de lader nooit te vervangen door een normale netstekker.

- ◆ Als het netsnoer is beschadigd, moet dit, om ongelukken te voorkomen, worden vervangen door de fabrikant of in een Stanley Fat Max-servicecentrum.

Onderdelen

Dit apparaat omvat een of meerdere van de volgende functies.

1. Aan/uit-schakelaar
2. Vooruit/achteruit-knop
3. Stelling voor aanpassing torsie
4. Selectieknop voor twee bereiken
5. Sleutelloze boorkop
6. Accu
7. Ontgrendelingsknop accu
8. LED-werklicht
9. Bithouder

Gebruik

Waarschuwing! Laat het gereedschap op zijn eigen snelheid werken.

Overbelast het apparaat niet.

De accu opladen

De accu moet worden opgeladen vóór het eerste gebruik en zodra de accu niet meer voldoende vermogen levert voor taken die eerder gemakkelijk werden uitgevoerd.

Tijdens het opladen kan de accu warm worden. Dit is normaal en duidt niet op een probleem.

Waarschuwing! Laad de batterij niet op bij een omgevingstemperatuur van lager dan 10 °C of hoger dan 40 °C. De aanbevolen laadtemperatuur: ongeveer 24 °C.

Opmerking: De lader functioneert niet als de temperatuur van de accu lager is dan ongeveer 10 °C of hoger dan 40 °C. Laat de accu in dat geval in de lader zitten. De lader wordt automatisch ingeschakeld wanneer de accu de juiste temperatuur heeft.

- ◆ Steek de lader in een geschikt stopcontact voordat u de accu erin plaatst.
- ◆ Plaats de accu in de lader.



Het groene LED-lampje gaat knipperen ten teken dat de accu wordt opgeladen.



De accu is volledig opgeladen als het groene ledlampje constant aan blijft. De accu is nu volledig opgeladen en kan worden gebruikt of in de acculader blijven zitten.

Waarschuwing! Laad lege accu's na gebruik zo spoedig mogelijk op omdat anders de levensduur van de accu sterk zal afnemen.

Problemen met de accu

Deze acculader is zo ontworpen dat bepaalde problemen die kunnen ontstaan in accu's of in de stroombron, kunnen worden gedetecteerd. Problemen worden aangeduid door één LED-lampje dat op verschillende manieren knippert.

Slechte accu



De lader kan een zwakke of beschadigde accu detecteren. De rode LED knippert op de wijze die wordt aangeduid op de label. Als u het knipperpatroon dat hoort bij een slechte accu, ziet, ga dan niet door met het opladen van de accu. Breng de accu terug naar het servicecentrum of lever de accu in op een inzamelpunt.

Vertraging Hete/Koude Accu



Wanneer de lader waarneemt dat een accu veel te warm of veel te koud is, wordt onmiddellijk een Hot/Cold Pack Delay gestart en wordt het laden uitgesteld tot de accu een normale temperatuur heeft bereikt. Vervolgens schakelt de lader automatisch over op de stand Pack Charging. Deze functie waarborgt een maximale levensduur van de accu. De rode LED knippert op een wijze die wordt aangeduid op de label, wanneer de Hot/Cold Pack Delay wordt gedetecteerd.

Probleem met de stroomvoorziening



Wanneer de lader wordt gebruikt met bepaalde draagbare stroombronnen, zoals generatoren of bronnen die gelijkstroom omzetten in wisselstroom, zal de lader het laden misschien tijdelijk onderbreken. De LED knippert op de wijze die wordt aangeduid op de label. Dit duidt aan dat de stroombron niet voldoet aan de eisen die de lader stelt.

De accu in de lader laten zitten

U kunt de accu gedurende onbepaalde tijd in de lader laten zitten terwijl het oplaadlampje brandt. De lader zorgt ervoor dat de accu altijd volledig opgeladen is.

Belangrijke opmerkingen over het opladen

- ◆ De langste levensduur en de beste prestaties kunnen worden behaald als de accu wordt opgeladen bij een luchttemperatuur tussen 18° - 24°C. LAAD de accu NIET op bij een temperatuur lager dan +4,5°C of hoger dan +40,5°C. Dit is belangrijk en zal ernstige beschadiging van de accu voorkomen.
- ◆ De lader zullen tijdens het opladen misschien warm aanvoelen bij aanraking. Dit is een normale toestand en wijst niet op een probleem. U kunt het afkoelen van de accu na gebruik bevorderen door de lader of de accu niet in een warme omgeving te plaatsen, zoals een metalen gereedschapsschuur of een niet-geïsoleerde trailer.
- ◆ Als het opladen van de accu niet goed verloopt:
 - ◆ Controleer de spanning door een lamp of ander apparaat aan te sluiten op het stopcontact.
 - ◆ Controleer of het stopcontact misschien is aangesloten op een lichtschakelaar, die het stopcontact stroomloos zet wanneer u het licht uitschakelt.

- ◆ Verplaats lader en accu naar een plek waar de omgevingstemperatuur ongeveer 18° - 24°C is. d. Als de problemen met het opladen aanhouden, breng dan het gereedschap, de accu en de lader naar een Stanley Fat Max-servicecentrum bij u in de buurt.
- ◆ Deze accu moet worden opgeladen wanneer de accu niet voldoende vermogen levert voor werkzaamheden die eerder zonder veel moeite werden uitgevoerd.
- ◆ GA NIET DOOR MET WERKEN onder deze omstandigheden. Volg de procedure voor het laden.
- ◆ U mag ook een gedeeltelijk ontladen accu opladen wanneer u maar wilt, zonder dat dat nadelige gevolgen heeft voor de accu.

De accu in het gereedschap plaatsen en de accu uit het gereedschap nemen

Waarschuwing! Controleer vooral, voordat u een accu verwijdert of plaatst, dat de ontgrendelingsknop is ingeschakeld zodat de schakelaar niet per ongeluk kan worden geactiveerd.

De accu plaatsen

- ◆ Z de accu stevig in het gereedschap, zoals afbeelding A laat zien: u moet een klik horen. Controleer dat de accu goed is geplaatst en volledig is vergrendeld.

De accu uitnemen

- ◆ Druk de vrijgaveknop van de accu (7) in, zoals in afbeelding B wordt getoond en trek de accu uit het gereedschap.

Aan/Uit-schakelaar & knop vooruit/achteruit - afbeelding C

- ◆ U schakelt de boormachine ON en OFF door de Aan/Uit-schakelaar (1) in te trekken en los te laten, zoals afbeelding C laat zien. Hoe verder de Aan/Uit-schakelaar wordt ingedrukt, des te sneller draait de boormachine.
- ◆ Een knop voor vooruit/achteruit (2) bepaalt u de draairichting van het gereedschap. Deze knop dient ook als vergrendelingsknop.
- ◆ U selecteert de draairichting Vooruit door de Aan/Uit-schakelaar los te laten en de vooruit/achteruit-regelknop aan de rechter zijde van het gereedschap in te drukken.
- ◆ U selecteert de draairichting achteruit door de vooruit/achteruit-regelknop aan de linkerzijde van het gereedschap in te drukken.
- ◆ De middelste stand van de regelknop vergrendelt het gereedschap in de uit-stand. Wanneer u de stand van de regelknop wijzigt, is het belangrijk dat u de aan/uit-knop niet indrukt.

Torsieregeling aanpassen - afbeelding D

Dit gereedschap is uitgerust met een stelling (3) waarmee u de bedrijfsstand kunt selecteren en de torsie voor het aandraaien van schroeven kunt instellen.

Grote schroeven en harde werkstukmaterialen vereisen een hogere torsie-instelling dan kleine schroeven en zachte werkstukmaterialen.

- ◆ Als u in hout, metaal of kunststof wilt boren, stelt u de stelling in op het symbool voor het boren.
- ◆ Zet, als u het apparaat als schroevendraaier wilt gebruiken, de stelling in de stand van uw keuze. Ga als volgt te werk, als u niet weet wat de juiste instelling is.
 - ◆ Zet de stelling op de laagste torsie-instelling.
 - ◆ Zet de eerste schroef vast.
 - ◆ Kies, als de koppeling ratelt voordat het gewenste resultaat is bereikt, een hogere instelling van de stelling en ga door met het vastzetten van de schroef.
 - ◆ Herhaal dit tot u de juiste instelling bereikt.
 - ◆ Gebruik deze instelling voor de overige schroeven.

Schakelaar voor dubbel bereik - afbeelding E

Met de functie voor het dubbele bereik van uw boormachine kunt een andere versnelling kiezen en dat levert meer toepassingsmogelijkheden op.

- ◆ Een lagere snelheid selecteren, hoge torsie instelling (positie 1), schakel het gereedschap uit en laat het tot stilstand komen. Schuif de knop voor versnellingswissel naar achteren (weg van de boorkop).
- ◆ Wilt u de hoge snelheid, de instelling voor lage torsie (positie 2) selecteren, schakel dan het gereedschap uit en laat u het tot stilstand komen. Schuif de knop voor versnellingswissel terug in de richting van de boorkop.

Opmerking: Wissel geen versnellingen wanneer het gereedschap is ingeschakeld. Als het wisselen van versnelling niet gemakkelijk verloopt, is het belangrijk dat u controleert dat de knop voor de versnellingswissel geheel naar voren of geheel naar achteren is gedruwd.

sluetelloze boorkop - afbeelding F

Waarschuwing! Controleer, voordat u accessoires installeert of losneemt, dat de accu uit het gereedschap is gehaald zodat het gereedschap niet per ongeluk kan worden ingeschakeld. Een boor of een ander accessoire plaatsen:

- ◆ Houd de boorkop (5) vast en draai deze linksom, vanaf het uiteinde van de boorkop gezien.
- ◆ Plaats het boortje of een ander accessoire volledig in de boorkop en draai de boorkop stevig vast door deze rechtsonder te draaien, vanaf het uiteinde van de boorkop gezien.

Waarschuwing! Probeer niet boortjes (of een ander accessoire) vast te zetten of los te maken door het voorste gedeelte van de boorkop vast te grijpen en het gereedschap in te schakelen. Wanneer u accessoires op deze manier vervangt, kan de boorkop beschadigd raken en kunt u zichzelf verwonden.

Schroevendraaien

- ◆ Voor het indraaien van bevestigingsmateriaal moet u de knop Vooruit/Achteruit naar links duwen.
- ◆ Gebruik Achteruit (knop naar rechts gedruwd) voor het uitdraaien van bevestigingsmateriaal.

Opmerking: Laat, voordat u overschakelt tussen vooruit en achteruit, altijd eerst de Aan/Uit-schakelaar los.

Boren

- ◆ Gebruik alleen scherpe boortjes.
- ◆ Ondersteun het werk goed en zet het goed vast, volgens de Veiligheidsinstructies.
- ◆ Gebruik een geschikte en vereiste veiligheidsuitrusting, volgens de Veiligheidsinstructies.
- ◆ Werk in een veilige werkomgeving en onderhoud deze goed, volgens de Veiligheidsinstructies.
- ◆ Laat de boor langzaam draaien, oefen lichte druk uit, tot het gat diep genoeg is en het boortje er niet meer uit kan glippen.
- ◆ Oefen druk uit in een rechte lijn met de boor. Duw hard genoeg om het boortje zijn werk te laten doen, maar niet zo hard dat de motor kan vastlopen of het boortje van de rechte lijn kan afwijken.
- ◆ Houd de boor stevig vast met twee handen, één hand op de handgreep en één om de onderzijde bij het accuvak geklemd, of om de hulphandgreep, als die er is.
- ◆ **KLIK DE SCHAKELAAR VAN EEN VASTGELOPEN BOORMACHINE NIET AAN EN UIT IN EEN POGING DE BOORMACHINE TE STARTEN. HIERDOOR KAN DE BOORMACHINE BESCHADIGD RAKEN**
- ◆ Verklein de kans op vastlopen in het laatste gedeelte van het gat door tegen die tijd de druk te verminderen en langzaam het laatste gedeelte van het gat te boren.
- ◆ Laat de motor draaien terwijl u de boor uit het geboorde gat trekt. Hierdoor verkleint u de kans op vastlopen.
- ◆ Controleer dat de schakelaar de boor in- en uitschakelt.

In hout boren

Gaten in hout kunt u met dezelfde spiraalboren maken die u ook voor metaal gebruikt of met speciale houtboren. Deze boren moeten scherp zijn en moeten tijdens het boren regelmatig uit het gat worden getrokken om spaanders uit de groeven te verwijderen.

In metaal boren

Gebruik een snijvloestof wanneer u in metalen boort. De uitzonderingen zijn gietijzer en messing, deze moeten droog worden geboord. De koelolies die het beste werken, zijn gezwavelde koelolie.

In steen boren

Zet voor boren in metselwerk de kraag (3) in de stand voor hamerboren door het symbool tegenover de markering te draaien. Gebruik steenboren met een hardmetalen punt. Raadpleeg het hoofdstuk Boren Oefen een gelijkmatige druk op de boormachine uit, maar niet zoveel dat er scheuren in het brosse materiaal kunnen ontstaan. Een gelijkmatige, constante stroom van de stof wijst erop dat u de juiste boorsnelheid gebruikt

LED-werklicht

Wanneer u de boor inschakelt door de Aan/Uit-schakelaar (1) in te trekken, verlicht het geïntegreerde LED-werklicht (8) automatisch het werkgebied.

Opmerking: Het werklicht is bedoeld voor het verlichten van het werkoppervlak in de onmiddellijke nabijheid en het is niet de bedoeling dat u het licht gebruikt als zaklantaarn.

Houder voor boortjes/bitjes

Er is een sleuf voor het opbergen van boortjes/bitjes (9) in de onderzijde van het gereedschap.

Problemen oplossen

Probleem	Mogelijke oorzaak	Mogelijke oplossing
Toestel start niet	De accu is niet goed geplaatst. De accu is niet opgeladen.	Controleer de plaatsing van de accu. Controleer de eisen waar aan het laden van de accu moet voldoen
Gereedschap start onmiddellijk op bij het plaatsen van de accu	De schakelaar is in de stand 'On' blijven staan.	De schakelaar moet in de stand 'Off' worden gezet, zodat het gereedschap niet onmiddellijk kan starten wanneer u de accu plaatst.
De accu kan niet worden opgeladen.	De accu is niet in de lader gezet. De lader is niet in het stopcontact gestoken. Omgevingstemperatuur te hoog of te laag.	Plaats de accu in de lader, zodat het LED-lampje gaat branden. Steek de lader in een stopcontact waar stroom op staat. Plaats de lader en de accu in een omgeving met een luchttemperatuur tussen + 45 °C en + 40,5 °C.

Probleem	Mogelijke oorzaak	Mogelijke oplossing
Apparaat houdt opeens op met werken.	Accu heeft zijn maximale temperatuur bereikt. Accu is leeg. (Voor een maximale levensduur van de accu is deze zo ontworpen dat hij opeens ophoudt met werken wanneer hij leeg is.)	Laat accu afkoelen Plaats de accu op de lader en laat de accu opladen.

Onderhoud

Uw Stanley Fat Max-gereedschap is ontworpen om gedurende langere periode te functioneren met een minimum aan onderhoud. Het continu naar tevredenheid functioneren hangt af van de juiste zorg voor het gereedschap en regelmatig schoonmaken.

Naast regelmatige reiniging vereist de lader geen onderhoud.

Waarschuwing! Voordat u onderhoud aan het gereedschap uitvoert, verwijdert u de accu uit het gereedschap. Neem de lader uit het stopcontact voordat u deze schoonmaakt.

- ◆ Reinig regelmatig de ventilatieopeningen van het gereedschap en de lader met een zachte borstel of droge doek.
- ◆ Reinig de behuizing van de motor regelmatig met een vochtige doek.
Gebruik geen schuur- of oplosmiddel.
- ◆ Open regelmatig de boorkop en tik erop zodat eventueel stof uit het binnenste kan vallen.

Het milieu beschermen



Gescheiden afvalinzameling. Producten en accu's die zijn voorzien van dit symbool mogen niet bij het normale huishoudafval worden weggegooid.

Producten en accu's bevatten materialen die kunnen worden teruggewonnen of gerecycled, wat de vraag naar grondstoffen doet afnemen. Recycle elektrische producten en accu's volgens de ter plaatse geldende bepalingen. Nadere informatie is beschikbaar op www.2helpU.com.

Technische gegevens

		FMC626
Spanning	V _{DC}	18V.
Snelheid onbelast	Min. ⁻¹	0-350/0-1500
Max. torsie	Nm	47

		FMC626
Capaciteit boorkop	mm	13
Max. boorvermogen		
Metaal/hout/metselwerk	mm	13/35/13
Gewicht	kg	1.2

Lader	905998**	906086**	90636454
Ingangsspanning	V_{AC} 230	230	230
Uitgangsspanning	V_{DC} 18	18	18
Laadstroom	mA 1000	2000	1000
Oplaadtijd ca.	Mins 80-240	40-120	80-240

Accu	FMC685L	FMC687L	FMC684L	FMC688L
Spanning	V_{AC} 18	18	18	18
Capaciteit	Ah 1.5	2.0	1.3	4.0
Type	Li-Ion	Li-Ion	Li-Ion	Li-Ion

Geluidsdruk niveau, volgens EN 60745:Geluidsdruk (L_{pA}) 87.0 dB(A), meetonzekerheid (K) 3 dB(A)Geluidsvermogen (L_{WA}) 98.0 dB(A), meetonzekerheid (K) 3 dB(A)**Totale trillingswaarden (som triaxvector) volgens EN 60745:**In metaal boren ($a_{h,D}$) <2.5 m/s², meetonzekerheid (K) 1,5 m/s²het klopboren ($a_{h,D}$) 14.9 m/s², meetonzekerheid (K) 1,5 m/s²Schroeven indraaien zonder slagkracht ($a_{h,z}$) <2.5 m/s², meetonzekerheid (K) 1,5 m/s²

Deze producten voldoen tevens aan de richtlijn 2004/108/EG.
(tot 19-04-2016)
2014/30/EU (vanaf 20-04-2016)
en 2011/65/EU.

Neem voor meer informatie contact op met Stanley Fat Max
op het volgende adres of raadpleeg de achterzijde van de
handleiding.

De ondergetekende is verantwoordelijk voor de samenstelling
van het technische bestand en legt deze verklaring af namens

Stanley Fat Max.



R. Laverick

Engineering Manager

Stanley Fat Max Europe, Egide Walschaertsstraat14-18,
2800 Mechelen, Belgium

19/12/2017

Garantie

Stanley Fat Max heeft vertrouwen in zijn producten en biedt consumenten een garantie van 12 maanden vanaf de aankoopdatum. Deze garantie vormt een aanvulling op uw wettelijke rechten en beperken deze niet. De garantie is geldig op het grondgebied van de Lidstaten van de Europese Unie en de Europese Vrijhandelszone.

Voor een garantie-aanspraak moet uw aanspraak in overeenstemming zijn met de Voorwaarden en Condities van Black&Decker en moet u een bewijs van aankoop overleggen aan de verkoper of aan een geautoriseerde reparatiemoniteur. Voorwaarden en condities van de 1-jarige garantie van Black&Decker en het adres van de vestiging van het geautoriseerde reparatiecentrum bij u in de buurt, kunt u vinden op internet op www.2helpU.com, of door contact op te nemen met het Stanley Fat Max-kantoor ter plaatse, op het adres dat in deze handleiding wordt vermeld.

Bezoek onze website www.stanley.eu/3, waar u uw nieuwe Stanley Fat Max-product kunt registreren en informatie kunt verkrijgen over nieuwe producten en speciale aanbiedingen.

EG-conformiteitsverklaring

RICHTLIJN VOOR MACHINES



FMC626-boormachine/schroevendraaier

Stanley Europe verklaart dat de producten die worden beschreven onder "Technische gegevens", voldoen aan:
2006/42/EC, EN60745-1:2009+A11:2010 EN60745-2-1:2010

EN60745-2-2:2010

Uso previsto

El taladro/destornillador Stanley Fat Max ha sido diseñado para atornillar y para taladrar madera, metal, plásticos y mampostería ligera. Este aparato está pensado para usuarios profesionales y para usuarios no profesionales privados.

Instrucciones de seguridad

Advertencias de seguridad generales para herramientas eléctricas



Advertencia Lea todas las advertencias de seguridad y todas las instrucciones. En caso de no atenerse a las siguientes advertencias e instrucciones de seguridad, podría producirse una descarga eléctrica, incendio o lesión grave.

Guarde todas las advertencias e instrucciones para futuras consultas. El término "herramienta eléctrica" empleado en las advertencias a continuación hace referencia a la herramienta eléctrica con alimentación de red (con cable) o alimentada por batería (sin cable).

1. Seguridad del área de trabajo

- a. **Mantenga limpia y bien iluminada el área de trabajo.**
Las áreas en desorden u oscuras pueden provocar accidentes.
- b. **No utilice herramientas eléctricas en entornos con peligro de explosión, como aquellos en los que haya líquidos, gases o material en polvo inflamables.** Las herramientas eléctricas originan chispas que pueden inflamar el polvo o los gases.
- c. **Mantenga alejados a los niños y a otras personas del área de trabajo al emplear la herramienta eléctrica.**
Las distracciones pueden ocasionar que pierda el control.

2. Seguridad eléctrica

- a. **El enchufe de la herramienta eléctrica debe corresponder a la toma de corriente utilizada. No modifique nunca el enchufe de ninguna forma. No utilice ningún enchufe adaptador con las herramientas eléctricas conectadas a tierra.** Los enchufes no modificados y las tomas de corriente correspondientes reducirán el riesgo de descarga eléctrica.
- b. **Evite que su cuerpo toque partes conectadas a tierra como tuberías, radiadores, cocinas y refrigeradores.** Existe un mayor riesgo de descarga eléctrica si su propio cuerpo está conectado a tierra.
- c. **No exponga las herramientas eléctricas a la lluvia y evite que penetren líquidos en su interior.**

Si entra agua a una herramienta eléctrica aumentará el riesgo de descarga eléctrica.

- d. **Cuide el cable de alimentación. No use nunca el cable para transportar, tirar de la herramienta eléctrica o desenchufarla. Mantenga el cable alejado del calor, aceite, bordes afilados y piezas en movimiento.** Los cables dañados o enredados aumentan el riesgo de descarga eléctrica.
- e. **Al trabajar con la herramienta eléctrica en la intemperie utilice solamente cables de prolongación homologados para su uso en exteriores.** La utilización de un cable adecuado para el uso en exteriores reduce el riesgo de descarga eléctrica.
- f. **Si la utilización de una herramienta eléctrica en un lugar húmedo es inevitable, utilice una fuente protegida con un dispositivo de corriente residual (RCD).** El uso de un dispositivo de corriente residual reduce el riesgo de descarga eléctrica.

3. Seguridad personal

- a. **Esté atento a lo que hace y emplee la herramienta eléctrica con prudencia. No maneje una herramienta eléctrica cuando esté cansado o bajo los efectos de drogas, medicamentos o alcohol.** Un momento de falta de atención cuando se manejan las herramientas eléctricas puede ocasionar lesiones personales graves.
- b. **Utilice un equipo de protección personal. Utilice siempre protección ocular.** El uso del equipo protector como mascarillas antipolvo, calzado antideslizante, casco o protección auditiva para condiciones apropiadas reducirá las lesiones personales.
- c. **Evite que la herramienta se ponga en marcha accidentalmente. Asegúrese de que el interruptor se encuentre en la posición de apagado antes de conectar la herramienta a la fuente de alimentación o a la batería, o de coger o transportar la herramienta.** El transportar herramientas eléctricas con el dedo puesto en el interruptor o herramientas eléctricas activadoras que tengan el interruptor encendido puede provocar accidentes.
- d. **Retire las herramientas de ajuste o llaves fijas antes de conectar la herramienta eléctrica.** Dejar una llave inglesa u otra llave puesta en una pieza en movimiento de la herramienta eléctrica puede ocasionar lesiones personales.
- e. **Sea precavido. Mantenga un equilibrio adecuado y la estabilidad constantemente.** Esto permite un mejor control de la herramienta eléctrica en situaciones inesperadas.
- f. **Lleve puesta una vestimenta de trabajo adecuada. No se ponga ropa suelta o joyas. Mantenga el cabello, la ropa y los guantes alejados de las piezas en movimiento.**

La ropa suelta, las joyas y el pelo largo pueden quedar atrapados en las piezas en movimiento.

- g. Siempre que sea posible utilizar unos equipos de aspiración o captación de polvo, asegúrese de que estén montados y se utilicen correctamente.** El uso de equipo de recogida de polvo puede reducir los riesgos relacionados con el polvo.

4. Uso y cuidado de herramientas eléctricas

- a. No sobrecargue la herramienta eléctrica. Use la herramienta eléctrica correcta para su trabajo.** La herramienta eléctrica correcta funcionará mejor y con mayor seguridad si se utiliza de acuerdo con sus características técnicas.
- b. No utilice herramientas eléctricas con un interruptor defectuoso.** Toda herramienta eléctrica que no pueda controlarse con el interruptor es peligrosa y debe ser reparada.
- c. Desconecte el conector de la herramienta eléctrica de la fuente de alimentación y la batería antes de realizar cualquier ajuste, cambiar accesorios o guardar la herramienta.** Dichas medidas de seguridad preventivas reducen el riesgo de poner en marcha accidentalmente la herramienta eléctrica.
- d. Guarde las herramientas eléctricas fuera del alcance de los niños y de las personas que no estén familiarizadas con su uso.** Las herramientas eléctricas son peligrosas en manos de personas no capacitadas.
- e. Realice el mantenimiento de sus herramientas eléctricas. Controle si funcionan correctamente, sin atascarse, las partes móviles de la herramienta eléctrica, y si existen partes rotas o deterioradas que pudieran afectar al funcionamiento de la herramienta. Si la herramienta eléctrica está dañada, llévela para que sea reparada antes de utilizarla.** Se ocasionan muchos accidentes por el mal mantenimiento de las herramientas eléctricas.
- f. Mantenga las herramientas de corte limpias y afiladas.** Hay menos probabilidad de que las herramientas de cortar con bordes afilados se bloqueen, y son más fáciles de controlar.
- g. Utilice la herramienta eléctrica, los accesorios, los útiles de la herramienta, etc. de acuerdo con estas instrucciones, y tenga en cuenta las condiciones de trabajo y la tarea que se va a realizar.** El uso de la herramienta eléctrica para operaciones que no sean las previstas puede ocasionar una situación peligrosa.

5. Uso y cuidado de la herramienta de baterías

- a. Recárguela sólo con el cargador especificado por el fabricante.** Un cargador adecuado para un tipo de paquete de baterías puede provocar riesgos de incendio al ser utilizado con otro paquete de baterías.

- b. Utilice las herramientas eléctricas solamente con las baterías recomendadas.** El uso de otras baterías puede suponer un riesgo de incendio y lesiones.
- c. Cuando no utilice la batería, manténgala alejada de objetos de metal como clips para papel, monedas, llaves, clavos, tornillos y otros pequeños objetos metálicos que pueden realizar una conexión de un terminal a otro.** Si se produce un cortocircuito entre los terminales de la batería, pueden ocasionarse incendios o quemaduras.
- d. En caso de uso abusivo puede salir líquido de la batería, evite el contacto. Si se produce un contacto accidental, lave con agua. Si el líquido se pone en contacto con los ojos, acuda además a un médico.** El líquido expulsado de la batería podrá provocar irritaciones o quemaduras.

6. Servicio

- a. Esta herramienta eléctrica solo la puede reparar personal técnico autorizado que emplee exclusivamente piezas de repuesto originales.** Así se asegurará que se mantenga la seguridad de la herramienta eléctrica.

Advertencias de seguridad adicionales para herramientas eléctricas



Advertencia Advertencias de seguridad adicionales para taladros y destornilladores inalámbricos.

- ◆ **Utilice las empuñaduras auxiliares suministradas con la herramienta.** La pérdida de control puede provocar lesiones personales.
- ◆ **Sujete la herramienta eléctrica por la superficie de agarre aislada cuando realice una operación en la que el accesorio de corte pueda entrar en contacto con cables ocultos.** El contacto de los accesorios de corte con un cable "cargado", puede cargar las partes metálicas expuestas de la herramienta eléctrica y producir una descarga eléctrica al operador.
- ◆ **Sujete la herramienta eléctrica por la superficie protegida cuando realice una operación en la que el accesorio de corte pueda entrar en contacto con cables ocultos.** El contacto de los elementos de sujeción con un cable "cargado" puede cargar las partes metálicas expuestas de la herramienta eléctrica y producir una descarga eléctrica al operador.
- ◆ **Utilice fijaciones o cualquier otro método para fijar y apoyar la pieza de trabajo en una plataforma estable.** Si sostiene la pieza de trabajo con las manos o con su cuerpo, esta estará inestable y podrá hacer que usted pierda el control.

- ◆ Antes de perforar paredes, suelos o techos, compruebe la ubicación de los cables y tuberías.
- ◆ Evite tocar la broca inmediatamente después de taladrar pues puede estar caliente.
- ◆ En este manual se describe el uso previsto. La utilización de accesorios o dispositivos auxiliares o la realización de operaciones distintas a las recomendadas en este manual de instrucciones para esta herramienta puede presentar riesgo de lesiones personales y/o de daños materiales.

Seguridad de terceros

- ◆ Las personas (incluidos niños) con capacidades físicas, sensoriales o mentales disminuidas o que carezcan de experiencia y conocimientos no deben utilizar esta herramienta, salvo que hayan recibido supervisión o formación con respecto al uso de la herramienta por parte de una persona responsable de su seguridad.
- ◆ Los niños deben vigilarse en todo momento para garantizar que el aparato no se tome como elemento de juego.

Riesgos residuales

El uso de esta herramienta puede producir riesgos residuales adicionales no incluidos en las advertencias de seguridad adjuntas. Estos riesgos se pueden generar por un uso incorrecto, demasiado prolongado, etc.

El cumplimiento de las normas de seguridad correspondientes y el uso de dispositivos de seguridad no evitan ciertos riesgos residuales. Esto incluye:

- ◆ Lesiones producidas por el contacto con piezas móviles o giratorias.
- ◆ Lesiones producidas al cambiar cualquier pieza, cuchilla o accesorio.
- ◆ Lesiones producidas al usar una herramienta por un tiempo demasiado prolongado. Si utiliza una herramienta durante períodos de tiempo demasiado prolongados, asegúrese de realizar pausas con frecuencia.
- ◆ Deterioro auditivo.
- ◆ Riesgos para la salud producidos al respirar el polvo que se genera al usar la herramienta (por ejemplo: en los trabajos con madera, especialmente de roble, haya y tableros de densidad mediana).

Vibración

Los valores de emisión de vibraciones declarados en el apartado de características técnicas y en la declaración de conformidad se han calculado según un método de prueba estándar proporcionado por la norma EN 60745 y podrán utilizarse para comparar una herramienta con otra. El valor de emisión de vibraciones especificado también puede utilizarse en una evaluación preliminar de la exposición.

Advertencia El valor de emisión de vibraciones durante el funcionamiento real de la herramienta eléctrica puede diferir del valor declarado en función de cómo se utilice dicha herramienta. El nivel de las vibraciones puede aumentar por encima del nivel declarado.

Al evaluar la exposición a las vibraciones con el fin de determinar las medidas de seguridad que exige la norma 2002/44/CE para proteger a las personas que utilizan periódicamente herramientas eléctricas en el entorno laboral, deberá tenerse en cuenta una estimación de la exposición a las vibraciones, las condiciones de uso reales y el modo de empleo de la herramienta, así como los pasos del ciclo operativo como, por ejemplo, el número de veces que la herramienta se apaga, el tiempo que está parada y el tiempo de activación.

Etiquetas en la herramienta

Junto con el código de la fecha, en la herramienta aparecen los siguientes símbolos:



Advertencia Para reducir el riesgo de lesiones, el usuario debe leer el manual de instrucciones.



Utilice protectores auditivos con los taladros de impacto. La exposición al ruido puede causar pérdida de la audición.

Instrucciones de seguridad adicionales para baterías y cargadores (No suministrados con la herramienta)

Baterías

- ◆ Jamás trate de abrir las baterías por ningún motivo.
- ◆ No exponga las baterías al agua.
- ◆ No guarde la batería en lugares en los que la temperatura pueda superar los 40 °C.
- ◆ Recargue la batería únicamente a una temperatura ambiente entre 10 °C y 40 °C.
- ◆ Utilice únicamente el cargador suministrado con la herramienta para realizar la carga.
- ◆ Cuando vaya a desechar la batería, siga las instrucciones facilitadas en la sección "Protección del medio ambiente".



No intente cargar baterías dañadas.

Cargadores

- ◆ Utilice el cargador Stanley Fat Max para cargar únicamente la batería de la herramienta con la que fue suministrado. Si intenta cargar otras baterías, estas podrían explotar y provocar lesiones y daños materiales.
- ◆ Nunca intente cargar baterías no recargables.
- ◆ Sustituya los cables defectuosos inmediatamente.
- ◆ No exponga el cargador al agua.

- ◆ No abra el cargador.
- ◆ No aplique ningún dispositivo para medir la resistencia del cargador.



Este adaptador está pensado únicamente para utilizarse en un lugar interior.



Lea el manual de instrucciones antes de usar el producto.

Seguridad eléctrica



El cargador presenta un aislamiento doble; por lo tanto, no se requiere conexión a tierra. Cada vez que utilice el aparato, debe comprobar que el voltaje de la red eléctrica corresponda al valor indicado en la placa de características. No intente sustituir el cargador por un enchufe convencional para la red eléctrica.

- ◆ Si se daña el cable de alimentación, debe ser sustituido por el fabricante o en un centro de asistencia técnica autorizado de Stanley Fat Max para evitar cualquier situación de riesgo.

Características

Este aparato incluye una o más de las siguientes características.

1. Gatillo interruptor
2. Botón de avance/retroceso
3. Collar de ajuste de torsión
4. Selector de engranaje de doble serie
5. Mandril sin llave
6. Batería
7. Botón de liberación de la batería
8. Luz de trabajo LED
9. Portabroca

Uso

Advertencia Deje que la herramienta funcione a su ritmo. No la sobrecargue.

Carga de la batería

Es necesario cargar la batería antes del primer uso y cada vez que note que no dispone de suficiente potencia para tareas que antes realizaba con facilidad. Es posible que la batería se caliente durante la carga; esto es normal y no denota ningún problema.

Advertencia No cargue la batería si la temperatura ambiente es inferior a 10 °C o superior a 40 °C. La temperatura de carga recomendada es de aproximadamente 24 °C.

Nota: El cargador no cargará la batería si la temperatura de esta es inferior a 10 °C o superior a 40 °C aproximadamente. Deje la batería en el cargador y este empezará a cargarla automáticamente cuando la temperatura de la batería aumente o disminuya.

- ◆ Conecte el cargador a la toma adecuada antes de introducir el paquete de baterías.
- ◆ Introduzca el paquete de baterías en el cargador.



El LED indicador de carga verde parpadeará, lo cual indica que se está cargando la batería.



Se indicará la finalización de la carga por medio del LED-verde que permanece encendido de forma continua. La batería está cargada por completo y puede usarse en este momento o dejarse en el cargador.

Advertencia Recargue las baterías descargadas tan pronto como sea posible después del uso, de lo contrario se reducirá la vida útil de la batería.

Diagnóstico del cargador

Este cargador ha sido diseñado para detectar algunos problemas que pueden surgir con los paquetes de baterías o la fuente de alimentación. Los problemas se indican a través de un LED parpadeante con diferentes patrones.

Fallo de la batería



El cargador puede detectar si la batería está débil o dañada. El LED rojo parpadea con el patrón indicado en la etiqueta. Si nota este patrón de parpadeo del indicador de fallo de la batería, no siga recargando la batería. Llévela a un centro de servicios o a un punto de recogida para el reciclaje.

Retardo por batería fría / caliente



Cuando el cargador detecta que la batería está demasiado fría o demasiado caliente, inicia automáticamente un retardo de batería fría / caliente y suspende la carga hasta que la batería normalice.

Después de esto, el cargador cambia automáticamente al modo de carga de batería. Esta característica le asegura el máximo de vida útil a la batería. El LED rojo parpadea con el patrón indicado en la etiqueta cuando detecta el retardo de batería fría/caliente.

Problema en la línea de alimentación



Cuando el cargador se usa con algunos fuentes de energía portátiles tales como generadores o convertidores de CC a CA, el cargador puede interrumpir temporalmente su funcionamiento. El LED parpadea con el patrón indicado en la etiqueta. Esto indica que la fuente de alimentación está fuera de los límites.

Dejar la batería en el cargador

El cargador y la batería pueden permanecer conectados durante un periodo de tiempo indefinido con el indicador LED iluminado. El cargador mantendrá la batería a baja temperatura y completamente cargada.

Notas importantes para la carga

- ◆ Se puede conseguir una mayor duración y rendimiento si se carga la batería cuando la temperatura ambiente está entre 65 °F y 75 °F (18 °C y 24 °C). NO cargue la batería cuando la temperatura ambiente sea inferior a +40 °F (+4.5 °C) o superior a +105 °F (+40.5 °C). Esto es importante y prevendrá daños serios a la batería.
- ◆ El cargador y el paquete de baterías puede calentarse durante la carga. Esto es normal y no indica ningún problema. Para facilitar el enfriamiento de la batería después del uso, evite colocar el cargador o la batería en un ambiente cálido, como un cobertizo metálico o un remolque sin aislamiento.
- ◆ Si el paquete de baterías no se carga correctamente:
 - ◆ Enchufe una lámpara u otro aparato para comprobar la corriente del receptáculo.
 - ◆ Compruebe si el receptáculo está conectado a un interruptor de luz que corta la energía al apagar las luces.
 - ◆ Desplace el cargador y la batería hacia un lugar donde la temperatura del aire circundante sea de aproximadamente 65 °F - 75 °F (18 °C - 24 °C). d. Si el problema de carga persiste, lleve la herramienta, el paquete de baterías y el cargador a su centro local de servicios Stanley Fat Max.
- ◆ El paquete de baterías debe recargarse cuando no produce energía suficiente para trabajos que antes se efectuaban fácilmente.

- ◆ NO LO SIGA usando en estas condiciones. Siga el procedimiento de carga.
- ◆ También puede cargar un paquete parcialmente usado cuando lo desee, sin ningún efecto adverso para la batería.

Colocar y sacar el paquete de batería de la herramienta

Advertencia Asegúrese de que el botón de desbloqueo está bloqueado para evitar que se active el interruptor antes de sacar o colocar la batería.

Colocación del paquete de baterías

- ◆ Inserte el paquete de baterías firmemente en la herramienta hasta que se oiga un clic audible, como se muestra en la figura A. Compruebe que la batería esté correctamente colocada y bloqueada en su posición.

Extracción del paquete de baterías

- ◆ Presione el botón de liberación de la batería (7) como se muestra en la figura B y tire la herramienta hacia fuera la batería.

Interruptor de activación y botón de avance/retroceso - figura C

- ◆ El taladro se ENCIENDE y APAGA tirando y soltando el interruptor de activación (1) que se muestra en la figura C. Cuanto más se oprima el interruptor de activación, mayor será la velocidad del taladro.
- ◆ El botón de control de avance/retroceso (2) determina la dirección de rotación de la herramienta y también se utiliza como botón de desbloqueo.
- ◆ Para seleccionar el giro de avance, suelte el interruptor de activación y pulse el botón de control de avance/retroceso ubicado en la parte derecha de la herramienta.
- ◆ Para seleccionar el retroceso, pulse el botón de control de avance/retroceso ubicado en la parte izquierda de la herramienta.
- ◆ La posición central del botón de control bloquea la herramienta en posición de apagado. Cuando cambie la posición del botón de control, compruebe que ha soltado el interruptor.

Ajuste de control de par - figura D

Esta herramienta dispone de un collar de ajuste de par (3) para seleccionar el modo de funcionamiento y ajustar el par de apriete de los tornillos. Los tornillos largos y las piezas de trabajo de materiales duros requieren un ajuste de torsión mayor que los tornillos pequeños y las piezas de trabajo de materiales blandos.

- ◆ Para taladrar madera, metal y plásticos, ajuste el collar en el símbolo de posición de taladrado.
- ◆ Para atornillar, fije el collar en el ajuste deseado.

Si no conoce el ajuste adecuado, haga lo siguiente:

- ◆ Ajuste el collar en el par de apriete más bajo.
- ◆ Apriete el primer tornillo.
- ◆ Si el embrague ralentiza antes de obtener el resultado deseado, aumente el ajuste del collar y siga apretando el tornillo.
- ◆ Repita la operación hasta obtener el apriete correcto.
- ◆ Utilice el mismo apriete en los tornillos restantes.

Interruptor de doble serie - figura E

La función de doble serie de su taladro le permite aumentar las velocidades para gozar de una mayor versatilidad.

- ◆ Para seleccionar la baja velocidad, par alto ajuste (posición 1), apague la herramienta y espere a que se detenga. Deslice el botón de cambio de marcha (4) alejándolo del mandril.
- ◆ Para seleccionar la velocidad alta y el ajuste de par bajo (posición 2), apague la herramienta y espere a que se detenga. Vuelva a deslizar el botón de cambio de marcha hacia el mandril.

Nota: No cambie las velocidades cuando la herramienta esté funcionando. Si tiene algún problema al cambiar las velocidades, compruebe que la palanca de engranajes de doble serie esté completamente colocada hacia delante o hacia atrás.

mandril sin llaves - figura F

Advertencia Asegúrese de haber sacado el paquete de baterías para evitar que se active la herramienta antes de colocar o extraer los accesorios.

Para insertar una broca u otro accesorio:

- ◆ Sujete el mandril (5) y gírelo en el sentido contrario al de las agujas del reloj, como se muestra en el extremo del mandril.
- ◆ Introduzca la broca u otro accesorio completamente en el mandril y fíjelo bien girando el mandril en el sentido de las agujas del reloj.

Advertencia No intente apretar o aflojar las brocas (ni cualquier otro accesorio) agarrando la parte frontal del mandril y encendiendo la herramienta. Al cambiar los accesorios se puede dañar el mandril y se pueden producir lesiones personales.

Atornillado

- ◆ Para atornillar fijaciones, el botón de avance/retroceso debe pulsarse hacia la izquierda.
- ◆ Use el botón de retroceso (pulsando hacia la derecha) para extraer las fijaciones.

Nota: Cuando cambia de avance a retroceso o viceversa, siempre suelte antes el interruptor de accionamiento.

Taladrado

- ◆ Utilice exclusivamente broca afiladas.
- ◆ Apoye y fije correctamente el trabajo, como se indica en las instrucciones de seguridad.
- ◆ Use el equipo de seguridad apropiado y exigido, como se indica en las instrucciones de seguridad.
- ◆ Cuide y mantenga el lugar de trabajo como se indica en las instrucciones de seguridad.
- ◆ Realice el taladrado muy lentamente, ejerciendo una ligera presión, hasta que el agujero sea suficientemente grande para que la broca no resbale.
- ◆ Ejercza presión en línea recta con la broca. Presione lo suficiente para que la broca continúe perforando, pero no demasiado, para evitar que el motor se detenga o que la broca se desvie.
- ◆ Sujete el taladro firmemente con las dos manos, con una mano en la empuñadura y la otra agarrando la parte inferior alrededor de la batería, o utilice la empuñadura auxiliar, si la hubiese.
- ◆ **NO PULSE REITERADAMENTE EL INTERRUPTOR DE ENCENDIDO Y APAGADO DE UN TALADRO PARADO CON LA INTENCIÓN DE ACCIONARLO. PODRÍAN PRODUCIRSE DAÑOS EN EL TALADRO.**
- ◆ Para reducir al mínimo las paradas durante el avance rápido, disminuya la presión y taladre lentamente la última parte del orificio.
- ◆ Mantenga el motor en funcionamiento mientras extrae la broca del orificio. De este modo, evitará que se produzcan atascos.
- ◆ Compruebe que el interruptor encienda y apague el taladro.

Perforar madera

Los orificios en la madera pueden realizarse con las mismas brocas helicoidales utilizadas para el metal o con brocas de pala. Las brocas deben estar afiladas y es necesario extraerlas frecuentemente cuando se realizan las perforaciones con el fin de eliminar las astillas de las ranuras del taladro.

Perforar metal

Utilice un lubricante de corte cuando perforo metales. Las excepciones son el latón y la fundición, que deberán perforarse en seco. Los lubricantes de corte que funcionan mejor son a base de aceite de corte sulfurizado.

Perforar mampostería

Para perforar mampostería, ajuste el collar (3) en la posición de martillo de perforación alineando el símbolo con la marca. Utilice las brocas de mampostería con punta de carburo. Consultar la sección de taladrado. Presione firmemente el taladro, aunque no con demasiada fuerza, ya que los materiales quebradizos podrían agrietarse. Un flujo suave y uniforme de polvo indica la velocidad adecuada de taladrado.

Luz de trabajo LED

Cuando el taladro se activa tirando el interruptor de activación (1), la luz de trabajo de LED integrada (8) iluminará automáticamente el área de trabajo.

Nota: La luz de trabajo sirve para alumbrar la superficie de trabajo inmediata y no puede utilizarse como luz de alumbrado.

Portaherramienta

En la base de la herramienta hay una ranura portaherramienta (9).

Resolución de problemas

Problema	Causa posible	Posible solución
La unidad no arranca.	El paquete de baterías no se ha instalado correctamente. El paquete de baterías no está cargado.	Compruebe la instalación del paquete de baterías. Compruebe los requisitos de carga de la batería.
La unidad se enciende inmediatamente después de introducir la batería.	El interruptor se dejó en la posición "encendido".	El interruptor debe colocarse en "apagado" para evitar que la herramienta se encienda inmediatamente al insertar la batería.
La batería no se carga.	No se ha insertado la batería en el cargador. El cargador no está enchufado. La temperatura del aire circundante es demasiado caliente o demasiado fría.	Inserte la batería en el cargador hasta que se encienda el indicador LED del cargador. Enchufe el cargador en una toma de corriente que funcione. Desplace el cargador y la batería a un lugar con temperatura ambiente superior a 40 °F (45 °C) o inferior a 105 °F (+40.5 °C)
La unidad se apaga repentinamente.	El paquete de baterías ha llegado a su máximo límite térmico. Descargada. (Para maximizar la vida útil del paquete de baterías, este ha sido diseñado para interrumpirse repentinamente cuando se agota la carga)	Deje que el paquete de baterías se enfríe. Coloque en el cargador y déjelo cargar.

Mantenimiento

La herramienta de Stanley Fat Max se ha diseñado para que funcione durante un largo período de tiempo con un mantenimiento mínimo.

El funcionamiento satisfactorio y continuo depende del buen cuidado de la herramienta y de una limpieza frecuente.

El cargador no requiere ningún mantenimiento especial excepto la limpieza periódica.

Advertencia Antes de realizar alguna operación de mantenimiento en la herramienta, extraiga la batería. Desenchufe el cargador antes de limpiarlo.

- ◆ Limpie periódicamente las ranuras de ventilación de la herramienta y el cargador con un cepillo suave o un paño seco.
- ◆ Limpie periódicamente la carcasa del motor con un paño húmedo.
No utilice limpiadores de base abrasiva ni disolventes.
- ◆ Abra regularmente el mandril y golpéelo suavemente para eliminar los restos de polvo que haya en su interior.

Protección del medio ambiente



Recogida selectiva. Los productos y las baterías marcadas con este símbolo no se deben eliminar con la basura doméstica normal.

Los productos y las baterías que contienen materiales que se puedan recuperar o reciclar reducen la demanda de materias primas. Recicle los productos eléctricos y las baterías de conformidad con la normativa local. Puede obtener más información en www.2helpU.com.

Datos técnicos

		FMC626
Tensión	V _{CC}	18V
Velocidad en vacío	Min. ⁻¹	0-350/0-1500
Par de torsión máximo	Nm	47
Capacidad del mandril	mm	13
Capacidad máxima de perforación		
Acero/madera/albañilería	mm	13/35/13
Peso	kg	1.2

Cargador		905998**	906086**	90636454
Voltaje de entrada	V _{AC}	230	230	230
Voltaje de salida	V _{DC}	18	18	18
Corriente	mA	1000	2000	1000
Tiempo de carga aproximado	Mins	80-240	40-120	80-240

Batería	FMC685L	FMC687L	FMC684L	FMC688L
Tensión	V _{AC} 18	18	18	18
Capacidad	Ah 1.5	2.0	1.3	4.0
Tipo	Li-Ion	Li-Ion	Li-Ion	Li-Ion

Nivel de presión acústica de acuerdo con la directiva EN 60745:Presión acústica (L_{pA}) 87.0 dB(A), Incertidumbre (K) 3 dB(A)Potencia acústica (L_{WA}) 98.0 dB(A), Incertidumbre (K) 3 dB(A)**Valores totales de vibración (suma vectorial triaxial) de acuerdo con la directiva EN 60745:**Perforación de metal ($a_{h,D}$) <2.5 m/s², incertidumbre (K) 1.5 m/s²Perforación de Impacto ($a_{h,D}$) 14.9 m/s², incertidumbre (K) 1.5 m/s²Atomillado sin impacto (a_p) <2.5 m/s², incertidumbre (K) 1.5 m/s²

Si desea obtener más información, póngase en contacto con Stanley Fat Max a través de la siguiente dirección o consulte el dorso del manual.

El que suscribe es responsable de la compilación del archivo técnico y realiza esta declaración en nombre de Stanley Fat Max.



R. Laverick

Director de ingeniería

Stanley Fat Max Europe, Egide Walschaertsstraat14-18,

2800 Mechelen, Belgium

19/12/2017

Declaración de conformidad CE

DIRECTIVA SOBRE MÁQUINAS



Taladro/destornillador FMC626

Stanley Fat Max declara que los productos descritos en la "ficha técnica" cumplen con las siguientes directivas: 2006/42/CE, EN60745-1:2009+A11:2010 EN60745-2-1:2010

EN60745-2-2:2010

Estos productos también cumplen la directiva 2004/108/CE. (hasta 19/04/2016)

2014/30/EU (desde 20/04/2016)
y 2011/65/EU.

Garantía

Stanley Fat Max confía en la calidad de sus productos y ofrece a los consumidores una garantía de 12 meses a partir de la fecha de compra. Esta garantía es adicional a sus derechos legales y no los menoscaba en modo alguno. La garantía es válida dentro de los territorios de los Estados Miembros de la Unión Europea y del Área de Libre Comercio Europea.

Para reclamar la garantía, la reclamación se debe presentar de conformidad con las condiciones de Stanley Fat Max. Tendrá que adjuntar un justificante de compra al vendedor o al agente técnico autorizado. Las condiciones de la garantía de 1 años de Stanley Fat Max y la ubicación de su agente técnico autorizado más cercano se pueden obtener en Internet en www.2helpU.com o poniéndose en contacto con su oficina local de Stanley Fat Max en la dirección que se indica en este manual.

Visite nuestro sitio web www.stanley.eu/3 para registrar su nuevo producto Stanley Fat Max y recibir noticias sobre nuevos productos y ofertas especiales.

Utilização pretendida

O seu berbequim/aparafusadora Stanley Fat Max FMC626 foi concebido para aparafusar e para perfurar madeira, metal, plástico e pedra macia. Este aparelho destina-se a utilização profissional bem como a utilizadores privados não profissionais.

Instruções de segurança

Avisos de segurança gerais para ferramentas eléctricas



Atenção! leia todos os avisos de segurança e todas as instruções. O não cumprimento dos seguintes avisos e instruções pode resultar em choque eléctrico, incêndio e/ou graves lesões.

Guarde todos os avisos e instruções para futura referência. A expressão "ferramenta eléctrica" utilizada a seguir refere-se a ferramentas eléctricas com ligação à corrente eléctrica (com cabo) ou com bateria (sem fios).

1. Segurança na área de trabalho

- a. **Mantenha a área de trabalho limpa e bem iluminada.** As áreas desorganizadas ou escuras são propensas a acidentes.
- b. **Não trabalhe com ferramentas eléctricas em áreas com risco de explosão, nas quais se encontrem líquidos, gases ou poeiras inflamáveis.** As ferramentas eléctricas criam faíscas que poderão inflamar estas poeiras ou vapores.
- c. **Mantenha crianças e outras pessoas afastadas durante a utilização da ferramenta eléctrica.** As distrações podem levar à perda do controlo da ferramenta.

2. Segurança eléctrica

- a. **As fichas da ferramenta eléctrica devem caber na tomada. Nunca modifique a ficha de forma alguma. Não utilize fichas adaptadoras com ferramentas eléctricas ligadas à terra.** As fichas não modificadas e as tomadas compatíveis reduzem o risco de choque eléctrico.
- b. **Evite que o corpo entre em contacto com superfícies ligadas à terra, como tubos, radiadores, fogões e frigoríficos.** Se o seu corpo estiver "ligado" à terra, o risco de choque eléctrico é maior.
- c. **As ferramentas eléctricas não podem ser expostas a chuva nem humidade.** A entrada de água numa ferramenta eléctrica aumenta o risco de choque eléctrico.
- d. **Manuseie o cabo com cuidado. Nunca o utilize para transportar, puxar ou desligar a ferramenta eléctrica.**

Mantenha o cabo afastado de fontes de calor, substâncias oleosas, extremidades aguçadas ou peças móveis. Os cabos danificados ou emaranhados aumentam o risco de choque eléctrico.

- e. **Quando trabalhar com uma ferramenta eléctrica ao ar livre, utilize um cabo de extensão apropriado para esse fim.** A utilização de um cabo adequado para uso ao ar livre reduz o risco de choque eléctrico.
- f. **Se for inevitável trabalhar com uma ferramenta eléctrica num local húmido, utilize um dispositivo de corrente residual (RCD).** A utilização de um DCR reduz o risco de choque eléctrico.

3. Segurança pessoal

- a. **Mantenha-se alerta, tenha atenção ao que está a fazer e seja cuidadoso quando trabalhar com a ferramenta eléctrica. Não utilize uma ferramenta eléctrica quando estiver cansado ou sob o efeito de drogas, álcool ou medicamentos.** Um momento de distração durante a utilização de ferramentas eléctricas poderá resultar em ferimentos graves.
- b. **Utilize equipamento de protecção pessoal. Use sempre uma protecção ocular.** O equipamento de protecção, como, por exemplo, uma máscara contra o pó, sapatos de segurança antiderrapantes, um capacete de segurança ou uma protecção auditiva, usado nas condições apropriadas, reduz o risco de ferimentos.
- c. **Evite arranques involuntários. Certifique-se de que o botão está desligado antes de ligar a ferramenta à corrente eléctrica e/ou à bateria, e antes de pegar ou transportar a ferramenta.** Se mantiver o dedo sobre o interruptor ao transportar ferramentas eléctricas ou se a ligar à fonte de alimentação com o interruptor ligado, poderá originar acidentes.
- d. **Retire eventuais chaves de ajuste ou chaves de fendas antes de ligar a ferramenta eléctrica.** Uma chave de fenda ou de ajuste que se encontre numa peça em rotação da ferramenta eléctrica poderá causar lesões.
- e. **Não tente chegar a pontos fora do alcance. Mantenha sempre os pés bem apoiados e um equilíbrio apropriado.** Desta forma, será mais fácil controlar a ferramenta eléctrica em situações inesperadas.
- f. **Use vestuário adequado. Não use roupa larga nem jóias. Mantenha o cabelo, a roupa e as luvas afastados das peças móveis.** As roupas largas, as jóias ou o cabelo comprido podem ficar presos nestas peças.
- g. **Se for prevista a montagem de dispositivos de extracção e recolha de poeiras, assegure-se de que estão ligados e que são utilizados de forma correcta.** A utilização de dispositivos de extracção de partículas pode reduzir os riscos relacionados com as mesmas.

4. **Utilização e manutenção da ferramenta eléctrica**
 - a. **Não sobrecarregue a ferramenta eléctrica. Utilize a ferramenta eléctrica correcta para o seu trabalho.** A ferramenta eléctrica adequada irá efectuar o trabalho de um modo mais eficiente e seguro se for utilizada de acordo com a capacidade para a qual foi concebida.
 - b. **Não utilize a ferramenta eléctrica se o interruptor não puder ser ligado nem desligado.** Qualquer ferramenta eléctrica que não possa ser controlada através do interruptor de alimentação é perigosa e tem de ser reparada.
 - c. **Desligue a ficha da tomada e/ou a bateria da ferramenta eléctrica antes de proceder a ajustes, trocar acessórios ou guardar ferramentas eléctricas.** Estas medidas de segurança preventivas reduzem o risco de ligar a ferramenta eléctrica acidentalmente.
 - d. **Mantenha as ferramentas eléctricas que não estiverem a ser utilizadas fora do alcance das crianças. Não permita que a ferramenta eléctrica seja utilizada por pessoas não familiarizadas com a mesma ou que não tenham lido estas instruções.** As ferramentas eléctricas são perigosas nas mãos de pessoas que não possuam as qualificações necessárias para as manusear.
 - e. **Proceda à manutenção das ferramentas eléctricas. Verifique se as partes móveis estão desalinhasadas ou bloqueadas, se existem peças partidas ou qualquer outra situação que possa afectar o funcionamento das ferramentas eléctricas. Se a ferramenta eléctrica estiver danificada, esta não deve ser utilizada até que seja reparada.** Muitos acidentes têm como principal causa ferramentas eléctricas com uma manutenção insuficiente.
 - f. **Mantenha as ferramentas de corte afiadas e limpas.** As ferramentas de corte sujeitas a uma manutenção adequada, com arestas de corte afiadas, emperram com menos frequência e controlam-se com maior facilidade.
 - g. **Utilize a ferramenta eléctrica, acessórios e peças de ferramenta de acordo com estas instruções, considerando as condições de trabalho e a tarefa a ser executada.** A utilização da ferramenta eléctrica para fins diferentes dos previstos poderá resultar em situações perigosas.
5. **Utilização e cuidados a ter com a ferramenta com pilhas**
 - a. **Carregue apenas com o carregador especificado pelo fabricante.** Um carregador adequado para um tipo de bateria pode causar um incêndio se for utilizado com outra bateria.
 - b. **Utilize ferramentas eléctricas apenas com baterias específicas.** A utilização de outras baterias pode dar origem a risco de danos e incêndio.

- c. **Quando não utilizar a pilha, mantenha-a afastada de outros objectos metálicos, tais como cliques para papel, moedas, chaves, pregos, parafusos ou outros pequenos objectos metálicos que permitam fazer a ligação de um terminal para outro.** O curto-circuito de terminais das pilhas pode causar queimaduras ou incêndio.
 - d. **Em condições abusivas, pode derramar líquido da pilha, devendo evitar o contacto. Se tocar acidentalmente no líquido, lave bem com água. Se o líquido entrar em contacto com os olhos, consulte um médico.** O líquido derramado da bateria pode causar irritação ou queimaduras.
6. **Assistência**
 - a. **A sua ferramenta eléctrica só deve ser reparada por pessoal qualificado e só devem ser colocadas peças sobressalentes originais.** Desta forma, é garantida a segurança da ferramenta eléctrica.

Avisos de segurança adicionais para ferramentas eléctricas



Atenção! Avisos de segurança adicionais para berbequins e chaves de fendas

- ◆ **Utilize o punho auxiliar fornecido com a ferramenta.** A perda de controlo pode causar lesões pessoais.
- ◆ **Segure a ferramenta eléctrica pelas áreas isoladas quando executar uma operação em que o acessório de corte possa entrar em contacto com a cablagem oculta.** O acessório de corte que entre em contacto com um fio com tensão eléctrica poderão fazer com que as peças de metal expostas da ferramenta conduzam electricidade e electrocitem o utilizador.
- ◆ **Segure a ferramenta eléctrica pelas áreas isoladas quando executar uma operação em que o fixador possa entrar em contacto com a cablagem oculta.** Os fixadores que entrem em contacto com um fio com tensão eléctrica poderão fazer com que as peças de metal expostas da ferramenta conduzam electricidade e electrocitem o utilizador.
- ◆ **Utilize grampos ou outro sistema prático para apoiar e fixar a peça numa plataforma estável.** Segurar a peça com a mão ou contra o corpo pode causar instabilidade e perda de controlo.
- ◆ **Antes de perfurar paredes, tectos ou chãos, verifique a localização de cablagem e tubos.**
- ◆ **Evite tocar na ponta de uma broca logo após a perfuração, uma vez que esta poderá estar quente.**
- ◆ **A utilização adequada é descrita neste manual de instruções.**

A utilização de qualquer acessório ou a realização de qualquer operação com esta ferramenta que não se inclua no presente manual de instruções poderá representar um risco de ferimentos e/ou danos materiais.

Segurança de terceiros

- ◆ Esta ferramenta não deve ser utilizada por pessoas (incluindo crianças) que apresentem capacidades físicas, sensoriais ou mentais reduzidas ou que não possuam os conhecimentos e a experiência necessários, excepto se forem vigiadas e instruídas acerca da sua utilização por uma pessoa responsável pela sua segurança.
- ◆ As crianças deverão ser vigiadas para que não mexam no aparelho.

Riscos residuais

Podem surgir riscos residuais adicionais durante a utilização da ferramenta, que poderão não constar nos avisos de segurança incluídos. Estes riscos podem resultar de má utilização, uso prolongado, etc.

Mesmo com o cumprimento dos regulamentos de segurança relevantes e com a implementação de dispositivos de segurança, alguns riscos residuais não podem ser evitados. Estes incluem:

- ◆ Ferimentos causados pelo contacto com peças em rotação/movimento.
- ◆ Ferimentos causados durante a troca de peças, lâminas ou acessórios.
- ◆ Ferimentos causados pela utilização prolongada de uma ferramenta. Quando utilizar uma ferramenta durante períodos prolongados, certifique-se de que faz pausas regularmente.
- ◆ Danos auditivos.
- ◆ Problemas de saúde causados pela inalação de poeiras resultantes da utilização da ferramenta (exemplo: trabalhos em madeira, especialmente carvalho, faia e MDF).

Vibração

Os valores de emissão de vibração declarados na secção de dados técnicos e na declaração de conformidade foram medidos de acordo com o método de teste padrão fornecido pela EN 60745 e podem ser utilizados para comparar ferramentas. O valor de emissão de vibração declarado pode ainda ser utilizado numa avaliação preliminar de exposição.

Atenção! O valor de emissão de vibração durante a utilização real da ferramenta eléctrica pode ser diferente do valor declarado, dependendo da forma como a ferramenta é utilizada. O nível de vibração pode aumentar acima do nível indicado.

Quando avaliar a exposição da vibração para determinar as medidas de segurança exigidas pela Directiva 2002/44/CE para proteger pessoas que utilizem regularmente ferramentas eléctricas na sua actividade profissional, deve ser considerada uma estimativa de exposição de vibração, as condições reais de utilização e o modo de utilização da ferramenta, incluindo ainda todas as partes do ciclo de funcionamento, como os períodos de inactividade e espera da ferramenta, para além do tempo de funcionamento.

Etiquetas colocadas na ferramenta

A ferramenta apresenta os seguintes símbolos de aviso juntamente com o código de data:



Atenção! Para reduzir o risco de ferimentos, o utilizador deve ler o manual de instruções.



Usar protetores de ouvido com furadeiras de impacto. A exposição ao ruído pode causar perda de audição.

Instruções de segurança adicionais para baterias e carregadores (não fornecidos com a ferramenta)

Baterias

- ◆ Nunca tente abrir a bateria, seja qual for o motivo.
- ◆ Não exponha as pilhas à água.
- ◆ Não armazene em locais onde a temperatura possa exceder os 40 °C.
- ◆ Carregue apenas a temperaturas ambiente entre 10 °C e 40 °C.
- ◆ Carregue apenas com o carregador fornecido com a ferramenta.
- ◆ Ao eliminar as pilhas, siga as instruções indicadas na secção "Protecção do ambiente".



Não tente carregar baterias danificadas.

Carregadores

- ◆ Utilize o seu carregador Stanley Fat Max apenas para carregar a bateria na ferramenta respectiva. Outras baterias podem rebentar, provocando ferimentos e danos.
- ◆ Nunca tente carregar baterias não recarregáveis.
- ◆ Substitua os cabos defeituosos imediatamente.
- ◆ Não exponha o carregador à água.
- ◆ Não abra o carregador.
- ◆ Não manipule o interior do carregador.



O adaptador deverá ser utilizado apenas em espaços interiores.



Antes da utilização, leia o manual de instruções.



O LED verde ficará a piscar, indicando que a bateria está a ser carregada.

Segurança eléctrica



O seu carregador tem isolamento duplo. Por esse motivo, não precisa de ligação à terra. Verifique sempre se a tensão de alimentação corresponde à tensão indicada na placa de especificações. Nunca tente substituir a unidade do carregador por uma tomada de alimentação normal.



A carga completa é indicada pelo LED verde continuamente ligado. A bateria fica totalmente carregada e pode ser utilizada nesta altura ou pode deixá-la no carregador.

- ◆ Se o cabo de alimentação estiver danificado, terá de ser substituído pelo fabricante ou por um centro de assistência autorizado Stanley Fat Max para evitar acidentes.

Atenção! Recarregue as baterias descarregadas assim que possível após a utilização, caso contrário a duração da bateria pode diminuir consideravelmente.

Características

Este aparelho inclui algumas ou todas as seguintes características.

1. Botão de Gatilho
2. Botão de avanço/recuo
3. Botão de ajuste de binário
4. Alavanca de velocidades de dupla amplitude
5. Mandril sem chave
6. Bateria
7. Botão de desbloqueio da bateria
8. Luz de trabalho LED
9. Suporte das brocas

Diagnóstico do carregador

Este carregador foi concebido para detectar determinados problemas que possam surgir com baterias ou a fonte de alimentação. Os problemas são indicados pela iluminação de um LED intermitente com diferentes padrões.

Problemas na bateria



O carregador permite detectar uma bateria fraca ou danificada. O LED vermelho pisca com o padrão indicado na etiqueta. Se aparecer este padrão intermitente de problemas na bateria, interrompa o carregamento da bateria. Entregue-a a um centro de assistência ou num local de recolha para reciclagem

Utilização

Atenção! Não altere o ritmo de funcionamento da ferramenta. Não sobrecarregue.

Carregar a bateria

A bateria precisa de ser carregada antes da primeira utilização e sempre que não conseguir produzir energia suficiente em trabalhos anteriormente feitos sem dificuldade. A bateria pode aquecer durante o carregamento. Isto é normal e não indica um problema.

Atenção! Não carregue a bateria a temperaturas ambiente inferiores a 10 °C ou superiores a 40 °C. Temperatura de carregamento recomendada: aproximadamente 24 °C.

Nota: O carregador não irá carregar a bateria se a temperatura das células for inferior a 10 °C ou superior a 40 °C.

A bateria não deve ser retirada do carregador para que este comece a carregar automaticamente quando a temperatura das células aquecer ou arrefecer.

- ◆ Ligue o carregador numa tomada adequada antes de inserir a bateria.
- ◆ Insira a bateria no carregador.

Retardação de calor/frio



Quando o carregador detecta que uma bateria está demasiado quente ou fria, inicia automaticamente a retardação de calor/frio, interrompendo o processo de carga até a bateria normalizar. Em seguida, o carregador muda automaticamente para o modo Carregar a bateria. Esta função assegura a duração máxima da bateria. O LED vermelho pisca no padrão indicado na etiqueta quando a retardação de calor/frio é detectada.

Problema na linha de alimentação



Quando o carregador é utilizado com algumas fontes de alimentação, como geradores ou fontes que convertem CC em CA, o carregador pode suspender temporariamente a operação. Este LED pisca com o padrão indicado na etiqueta. Isto indica que a fonte de alimentação está fora dos limites.

Deixar a bateria no carregador

O carregador e a bateria podem permanecer ligados com o LED aceso indefinidamente. O carregador irá manter a bateria completamente carregada.

Notas importantes sobre carregamento

- ◆ É possível aumentar a duração e o desempenho da bateria se carregá-la quando a temperatura ambiente se situar entre 18 °C e 24 °C. NÃO carregue a bateria se a temperatura ambiente for inferior a +4,5 °C ou superior a +40,5 °C. Isto é importante e impede danos graves na bateria.
- ◆ O carregador e a bateria podem ficar demasiado quentes durante o carregamento. Isto é normal e não representa um problema. Para facilitar o arrefecimento da bateria, evite colocar o carregador ou a bateria num local quente, como num barracão metálico ou num reboque não isolado.
- ◆ Se a bateria não carregar correctamente:
 - ◆ Verifique a corrente no receptáculo, ligando uma lâmpada ou outro aparelho.
 - ◆ Verifique se o receptáculo está ligado a um comutador de iluminação que se desliga quando desliga as luzes.
 - ◆ Coloque o carregador e a bateria num local onde a temperatura do ar ambiente seja de aproximadamente 18 ° - 24 °C. d. Se os problemas de carregamento persistirem, leve a ferramenta, a bateria e o carregador para um centro de assistência local da Stanley Fat Max.
- ◆ A bateria deve ser recarregada se não fornecer energia suficiente durante trabalhos que tenham sido efectuados facilmente.
- ◆ NÃO CONTINUE a utilizar a ferramenta nestas condições. Siga o procedimento de carregamento.
- ◆ Pode também carregar uma bateria parcialmente utilizada sempre que quiser, porque não afecta a bateria.

Inserir e retirar a bateria da ferramenta

Atenção! Certifique-se de que o botão de bloqueio está na posição correcta para impedir a activação accidental do interruptor de funcionamento, antes de retirar ou instalar a bateria.

Instalar a bateria

- ◆ Insira a bateria com firmeza na ferramenta até ouvir um clique, como indicado na Figura A. Certifique-se de que a bateria está totalmente inserida e fixada na respectiva posição.

Retirar a bateria

- ◆ Prima o botão de libertação da bateria (7), como indicado na Figura B e retire a bateria da ferramenta.

Botão de gatilho e botão de avanço/recuo - Figura C

- ◆ O berbequim é ligado e desligado libertando o botão do gatilho (1) apresentado na figura C. Quanto mais premir o gatilho, maior será a velocidade do berbequim.
- ◆ O botão de controlo para a frente/para trás (2) determina a direcção de rotação da ferramenta e serve igualmente como botão de desbloqueio.
- ◆ Para seleccionar a marcha directa, liberte o interruptor de pressão e empurre o botão de controlo de avanço/recuo no lado direito da ferramenta.
- ◆ Para seleccionar a marcha inversa, liberte o botão de controlo de avanço/recuo no lado esquerdo da ferramenta.
- ◆ A posição central do botão de controlo bloqueia a ferramenta na posição Desligar. Se alterar a posição do botão de controlo, certifique-se de que liberta o interruptor.

Ajustar o controlo do binário - Figura D

Esta ferramenta é fornecida com um botão de ajuste de binário (3) para seleccionar o modo de funcionamento e definir o binário para apertar parafusos. Parafusos grandes e materiais duros requerem uma definição de binário mais elevada do que parafusos pequenos e materiais mais macios.

- ◆ Para perfurar madeira, metal e plásticos, coloque o botão na posição com o símbolo de perfuração.
- ◆ Para apertar parafusos, coloque o mandril de ajuste na posição pretendida. Se ainda não souber qual a posição apropriada, proceda da seguinte forma:
 - ◆ Coloque o botão na posição de binário mínimo.
 - ◆ Aperte o primeiro parafuso.
 - ◆ Se o mecanismo forçar antes de atingir o resultado pretendido, aumente a definição do botão e continue a apertar o parafuso.
 - ◆ Repita até atingir a definição correcta.
 - ◆ Utilize esta definição para os restantes parafusos.

Interruptor de dupla amplitude - Figura E

A função de duas velocidades do seu berbequim permite mudar de velocidade para uma maior versatilidade.

- ◆ Para seleccionar a baixa velocidade, escolha uma definição de binário elevada (posição 1), desligue a ferramenta e guarde até esta parar.

Faça deslizar o botão de mudança de velocidade (4) no sentido oposto ao do mandril.

- ◆ Para seleccionar a velocidade alta, definição de binário baixo (posição 2), desligue a ferramenta e permita que a mesma pare. Faça deslizar o botão de mudança de velocidade para o mandril.

Nota: Não altere a velocidade quando a ferramenta estiver em funcionamento. Se tiver dificuldade em mudar de velocidade, certifique-se de que o botão de mudança de velocidade dupla está totalmente empurrado para a frente ou para trás.

Mandril sem chave - Figura F

Atenção! Antes de retirar ou instalar acessórios, certifique-se de que retirou a ferramenta para impedir a activação accidental do interruptor de funcionamento.

Para inserir uma broca ou outro acessório:

- ◆ Segure o mandril (5) e rode-o na direcção contrária aos ponteiros do relógio, visto a partir da extremidade do mandril.
- ◆ Insira completamente a broca ou outro acessório no mandril e aperte firmemente rodando o mandril na direcção dos ponteiros do relógio.

Atenção! Não tente apertar ou soltar as brocas (ou qualquer outro acessório) segurando na parte frontal do mandril e ligando a ferramenta. Pode danificar o mandril ou provocar ferimentos ao trocar acessórios.

Aparafusar

- ◆ Para apertar parafusos, o botão para a frente/para trás deverá estar posicionado para o lado esquerdo.
- ◆ Utilize o botão para trás (botão premido para a direita) para retirar os parafusos.

Nota: Quando mover a ferramenta de frente para trás, liberte sempre primeiro o botão do gatilho.

Perfuração

- ◆ Utilize apenas brocas afiadas.
- ◆ Apoie e fixe a peça correctamente, de acordo com as instruções de segurança.
- ◆ Utilize equipamento de segurança adequado e necessário, como indicado nas instruções de segurança.
- ◆ Apoie e fixe a área de trabalho, de acordo com as instruções de segurança.
- ◆ Coloque o berbequim a funcionar lentamente, até o furo ser iniciado o suficiente para impedir o deslize da broca.
- ◆ Aplique pressão em linha recta com a broca. Aplique pressão suficiente para manter a broca a perfurar e para não encravar o motor ou desviar a broca.
- ◆ Segure o berbequim com firmeza com ambas as mãos, uma no punho e a outra a segurar na parte inferior à volta da bateria ou do punho auxiliar, caso tenha sido fornecido.

- ◆ **NÃO PRESSIONE O GATILHO DE UM BERBEQUIM EMPANCADO NUMA TENTATIVA DE O FAZER ARRANCAR. DAÍ PODEM RESULTAR DANOS NO BERBEQUIM.**

- ◆ Minimize o encravamento na abertura do orifício, reduzindo a pressão e perfurando devagar na última porção do orifício.
- ◆ Mantenha o motor em funcionamento enquanto puxa a broca para fora de um orifício efectuado. Isto ajudará a reduzir o encravamento.
- ◆ Certifique-se de que o interruptor liga e desliga o berbequim.

Perfurar madeira

Os orifícios na madeira podem ser efectuados com as mesmas brocas utilizadas para perfurar metal ou com brocas espada. Estas brocas deverão estar afiadas e devem ser retiradas do orifício frequentemente, quando em utilização para limpar lascas das ranhuras.

Perfurar em metal

Utilize um lubrificante de corte para perfuração de metais. As excepções incluem ferro fundido e latão, que devem ser perfurados a seco. Os lubrificantes de corte que obtêm melhores resultados são o óleo de corte sulfurado.

Perfurar em pedra

Para perfurar em pedra, coloque o botão (3) na posição de perfuração com o martelo, alinhando o símbolo com a marca. Utilize brocas para pedra com ponta em carbono. Consulte a secção Perfuração. Exerça uma força homogénea no berbequim, mas não demasiada para não rachar o material frágil. Um fluxo de serradura fina e regular indica uma taxa de perfuração adequada.

Luz de trabalho LED

Quando prime o botão de gatilho (1) para activar o berbequim, a luz de trabalho LED (8) integrada ilumina automaticamente a área de trabalho.

Nota: A luz de funcionamento permite iluminar a superfície de trabalho imediata e não se destina a ser utilizada como lanterna.

Suporte das brocas

A base da ferramenta tem uma ranhura de armazenamento de brocas (9) inserida.

Resolução de problemas

Problema	Causa possível	Possível solução
A unidade não é iniciada.	BA bateria não foi montada correctamente. A bateria não pode ser carregada.	Verifique a instalação da bateria. Verifique os requisitos para carregar a bateria.
A unidade é iniciada de imediato depois de inserir a bateria	O interruptor foi deixado na posição "ligado".	O interruptor não deve ser colocado na posição "desligado" para impedir que a ferramenta seja iniciada de imediato quando a bateria for inserida.
A bateria não irá ser carregada.	Bateria não introduzida no carregador. Carregador não ligado. A temperatura de ar circundante é demasiado quente ou fria.	Introduza a bateria no carregador até que o LED se acenda. Ligue o carregador à tomada. O carregador e a bateria devem estar a uma temperatura de ar circundante superior a 45 °C ou inferior a 40,5 °C.
A unidade desligou-se de maneira abrupta.	A bateria atingiu o limite térmico máximo. Sem carga. (Para maximizar a duração da bateria, esta foi concebida para desligar-se de maneira abrupta quando a carga ficar esgotada)	Aguarde até a bateria arrefecer. Instale e carregador e aguarde até o equipamento estar carregado..

Manutenção

A sua ferramenta Stanley Fat Max foi concebida para funcionar por um longo período de tempo com uma manutenção mínima. Uma utilização continuamente satisfatória depende de uma manutenção apropriada da ferramenta e de uma limpeza regular.

O seu carregador não necessita de manutenção para além da limpeza regular.

Atenção! Antes de ser realizada qualquer operação de manutenção na ferramenta, remova a bateria da ferramenta. Desligue o carregador antes de o limpar.

- ◆ Limpe regularmente as saídas de ventilação da ferramenta e o carregador com uma escova suave ou um pano seco.
- ◆ Limpe regularmente o compartimento do motor com um pano húmido.
Não utilize produtos de limpeza abrasivos ou à base de solvente.

- ◆ Abra o mandril regularmente e sacuda para remover qualquer vestígio de pó do seu interior.

Protecção do ambiente



Faça uma recolha de lixo selectiva. Os produtos e baterias assinalados com este símbolo não devem ser eliminados em conjunto com resíduos domésticos normais..

Dados técnicos

		FMC626
Tensão	V _{DC}	18V
Velocidade sem carga	Min. ⁻¹	0-350/0-1500
Binário máx.	Nm	47
Capacidade do mandril	mm	13
Capacidade máx. de perfuração		
Aço/madeira/alvenaria	mm	13/35/13
Peso	kg	1.2

Carregador		905998**	906086**	90636454
Tensão de entrada	V _{AC}	230	230	230
Voltagem de saída	V _{DC}	18	18	18
	mA	1000	2000	1000
Tempo de carga aprox.	Mins	80-240	40-120	80-240

Bateria	FMC685L	FMC687L	FMC684L	FMC688L
Tensão	V _{AC} 18	18	18	18
Capacidade	Ah 1.5	2.0	1.3	4.0
Tipo	Li-Ion	Li-Ion	Li-Ion	Li-Ion

Nível de pressão acústica de acordo com a norma EN 60745:

Pressão acústica (L_{pA}) 87.0 dB(A), variabilidade (K) 3 dB(A)

Potência acústica (L_{WA}) 98 dB(A), variabilidade (K) 3 dB(A)

Valores totais de vibração (soma vectores triax) de acordo com a EN 60745:

Perfurar em metal (a_{h,D}) <2.5 m/s², imprecisão (K) 1,5 m/s²

perfuração de impacto (a_{h,D}) 14.9 m/s², imprecisão (K) 1,5 m/s²

Apertar parafusos sem percussão (a_v) <2.5 m/s², imprecisão (K) 1,5 m/s²

Declaração de conformidade CE

DIRECTIVA "MÁQUINAS"



FMC626 - Berbequim/Aparafusadora

A Stanley Fat Max declara que os produtos descritos em "dados técnicos" estão em conformidade com as seguintes

normas:

2006/42/CE, EN60745-1:2009+A11:2010 EN60745-2-1:2010

EN60745-2-2:2010

Estes produtos estão também em conformidade com a Directiva 2004/108/CE.
(até 19/04/2016)

2014/30/UE (a partir de 20/04/2016)
e 2011/65/UE.

Para obter mais informações, contacte a Stanley Fat Max na morada indicada ou consulte o verso do manual.

O abaixo assinado é responsável pela compilação do ficheiro técnico e faz esta declaração em nome da

Stanley Fat Max.

R. Laverick
Director de Engenharia
Stanley Fat Max Europe, Egide Walschaertsstraat14-18,
2800 Mechelen, Belgium
19/12/2017

Garantia

A Stanley Fat Max confia na qualidade dos seus produtos e oferece aos clientes uma garantia de 24 meses a partir da data de compra. Esta garantia é um complemento dos seus direitos estabelecidos por lei, não os prejudicando de forma alguma. A garantia é válida nos Estados-membros da União Europeia e nos países-membros da Zona Europeia de Comércio Livre.

Para accionar a garantia, esta deve estar em conformidade com os termos e condições da Stanley Fat Max e terá de apresentar comprovativos de compra ao vendedor ou a um agente de reparação autorizado. Os termos e condições da garantia de 2 anos da Stanley Fat Max e a localização do agente de reparação autorizado mais próximo pode ser obtido na Internet em www.2helpU.com ou contactando uma filial da Stanley Fat Max, cuja morada está indicada neste manual.

Visite o nosso Website www.stanley.eu/3 para registar o novo produto Stanley Fat Max e manter-se actualizado relativamente a novos produtos e ofertas especiais.

Avsedd användning

Denna Stanley Fat Max FMC626 borr/skruvdragare är avsedd för skruvdragning och borrning i trä, metall, plast och mjukt murverk. Apparaten är avsedd för såväl yrkesanvändare som privatkonsumenter.

Säkerhetsinstruktioner

Allmänna säkerhetsanvisningar för elverktyg



Varning! Läs alla säkerhetsvarningar och instruktioner. Fel som uppstår till följd av att varningarna och instruktionerna som listas nedan inte följts kan orsaka elstöt, brand och/eller allvarliga kroppsskador.

Spara alla säkerhetsföreskrifter och anvisningar för framtida bruk. Begreppet "Elverktyg" i alla varningar som listas nedan avser nätdrivna elverktyg (med nätsladd) och batteridrivna elverktyg (sladdlösa).

1. Säkerhet i arbetsområdet

- Se till att arbetsplatsen är obelamrad och välbelyst.** Belamrade eller mörka områden inbjuder till olyckor.
- Använd inte elverktyget i explosionsfarlig omgivning, t.ex. i närheten av brännbara vätskor, gaser eller damm.** Elektriska verktyg ge upphov till gnistor som kan antända dammet eller ångorna.
- Håll barn och andra personer på betryggande avstånd vid arbete med elverktyget.** Distractioner kan göra att du förlorar kontrollen.

2. Elsäkerhet

- Elverktygets stickkontakt måste passa i eluttaget. Modifiera aldrig kontakten på något sätt. Använd inte några adapterpluggar med jordanslutna (jordade) elektriska verktyg.** Omodifierade kontakter och matchande uttag minskar risken för elektrisk stöt.
- Undvik kroppskontakt med jordade ytor, t.ex. rör, värmeelement, spisar och kylskåp.** Det finns en ökad risk för elektrisk stöt om din kropp är jordansluten eller jordad.
- Skydda elverktyget mot regn och väta.** Vatten som kommer in i ett elverktyg ökar risken för elektrisk stöt.
- Hantera nätsladden varsamt. Använd aldrig sladden till att bära, dra eller koppla bort elverktyget från strömmen. Håll sladden borta från värme, olja, skarpa kanter eller rörliga delar.** Skadade eller tilltrasslade sladdar ökar risken för elektrisk stöt.
- Använd endast förlängningsladdar som är godkända för utomhusbruk när du arbetar med elverktyg utomhus.** Användning av en sladd som passar för utomhusanvändning minskar risken för elektrisk stöt.

- Om du måste använda ett elverktyg på en fuktig plats ska du använda jordfelsbrytare.** Användning av en RCD minskar risken för elektrisk stöt.

3. Personlig säkerhet

- Var uppmärksam, se på vad du gör och använd elverktyget med förnuft. Använd inte ett elverktyg när du är trött eller påverkad av droger, alkohol eller mediciner.** Ett ögonblicks ouppmärksamhet när du arbetar med elektriska verktyg kan resultera i allvarig personskada.
 - Använd personlig skyddsutrustning. Använd alltid skyddsglasögon.** Skyddsutrustning såsom dammfilterskydd, halksäkra säkerhetsskor, skyddshjälm eller hörselskydd som används för lämpliga förhållanden minskar personskador.
 - Förhindra oavsiktlig igångsättning. Kontrollera att strömbrytaren står i avstängt läge innan du ansluter verktyget till elnätet eller sätter i batteriet, samt innan du tar upp eller bär verktyget.** Att bära elektriska verktyg med ditt finger på strömbrytaren eller att strömsätta elektriska verktyg som har strömbrytaren på är att invitera olyckor.
 - Ta bort alla inställningsverktyg och skruvnycklar innan du startar elverktyget.** En skiftnyckel eller en nyckel som sitter kvar på en roterande del av elverktyget kan resultera i personskada.
 - Sträck dig inte för långt. Ha ordentligt fotfäste och balans hela tiden.** Detta möjliggör bättre kontroll av elverktyget i oväntade situationer.
 - Bär lämpliga kläder. Bär inte lösa kläder eller smycken. Håll hår, beklädnad och handskar borta från delar i rörelse.** Lösa kläder, smycken eller långt hår kan fastna i rörliga delar.
 - Om elverktyget har dammuppsugnings- och uppsamlingsutrustning kontrollerar du att den är monterad och används på korrekt sätt.** Användning av dammuppsamling kan minska dammrelaterade faror.
- #### 4. Bruk och skötsel av elverktyg
- Överbelasta inte elverktyget. Använd det korrekta elverktyget för din tillämpning.** Det korrekta elverktyget gör arbetet bättre och säkrare vid den hastighet för vilket det konstruerades.
 - Använd inte elverktyget om det inte kan startas och stängas av med strömbrytaren.** Ett elverktyg som inte kan kontrolleras med strömbrytaren är farligt och måste repareras.
 - Dra stickproppen ur vägguttaget och/eller ta ut batteriet ur elverktyget innan inställningar görs, tillbehörsdelar byts ut eller elverktyget ställs undan.** Sådana förebyggande säkerhetsåtgärder minskar risken att oavsiktligt starta elverktyget.

- d. Förvara elverktyg utom räckhåll för barn och låt inte personer som inte är vana vid elverktyget eller som inte läst denna bruksanvisning använda det. Elektriska verktyg är farliga i händerna på utbildade användare.
- e. Underhålla elverktyg. Kontrollera att rörliga komponenter fungerar felfritt och inte kärvar, att komponenter inte gått sönder eller skadats och inget annat föreligger som kan påverka elverktygets funktion. Om det är skadat, se till att elverktyget blir reparerat före användning. Många olyckor orsakas av dåligt underhållna elektriska verktyg.
- f. Håll kapverktyg skarpa och rena. Ordentligt underhållna kapningsverktyg med vassa sågkanter är mindre sannolika att fastna och är lättare att kontrollera.
- g. Använd elverktyg, tillbehör, bits m.m. enligt dessa anvisningar och beakta arbetsvillkoren och det arbete som ska utföras. Användningen av elverktyget för andra verksamheter än de som det är avsett för skulle kunna resultera i en farlig situation.
5. Användning och skötsel av batteridrivet verktyg
- a. Använd endast den laddare som rekommenderas av tillverkaren. En laddare som passar en batterityp kan medföra brandrisk om den används ihop med ett annat batteri.
- b. Använd in andra batteripaket än de som är speciellt avsedda för elverktyget. Användning av andra batteripaket kan leda till personsador eller eldsvåda.
- c. När batteriet inte används ska du hålla det åtskilt från metallföremål som gem, mynt, nycklar, spik, skruvar och andra små metallföremål som kan orsaka kortslutning mellan batteriets poler. Kortslutning av batteripolerna kan leda till brännskador eller eldsvåda.
- d. Under olämpliga förhållanden kan vätska spruta ut från batteriet. Undvik kontakt. Vid oavsiktlig kontakt, spola med vatten. Om vätskan kommer i kontakt med ögonen, sök också läkarhjälp. Vätska som sprutar ur batteriet kan orsaka sveda och brännskador.
6. Service
- a. Låt en kvalificerad reparatör som bara använder originaldelar utföra service på elverktyget. Detta säkerställer att elverktygets säkerhet bibehålls.

Ytterligare säkerhetsanvisningar för elverktyg



Varning! Ytterligare säkerhetsanvisningar för bormaskiner och skruvdragare.

- ◆ Använd de extrahandtag som medföljer verktyget. Tappad kontroll kan orsaka personsador.

- ◆ Håll verktyget i de isolerade greppytorna vid arbete där det skärande tillbehöret riskerar att komma i kontakt med dolda elledningar. Kaptillbehör som kommer i kontakt med en strömförande ledning kan göra att exponerade metalldelar hos elverktyget blir strömförande och kan ge användaren en elektrisk stöt.
- ◆ Håll verktyget i de isolerade greppytorna vid arbete där fästnanordningen riskerar att komma i kontakt med dolda elledningar. Fästdon som kommer i kontakt med en strömförande ledning kan göra att exponerade metalldelar hos elverktyget blir strömförande och kan ge användaren en elektrisk stöt.
- ◆ Använd klämmor eller något annat praktiskt sätt att stödja arbetsstycket mot ett stabilt underlag. Att hålla arbetet för hand eller mot kroppen är instabilt och kan göra att du förlorar kontrollen.
- ◆ Innan du borrar i väggar, golv eller tak ska du kontrollera var rör eller elledningar finns.
- ◆ Undvik att vidröra spetsen på borret precis efter bormning, eftersom den kan bli väldigt varm.
- ◆ Avsedd användning beskrivs i denna bruksanvisning. Om andra tillbehör eller tillsatser används, eller om någon annan åtgärd än de som rekommenderas i den här bruksanvisningen utförs med verktyget kan personer och/eller egendom ta skada.

Andras säkerhet

- ◆ Verktyget ska inte användas av personer (inklusive barn) med nedsatt fysisk eller mental förmåga eller bristande erfarenhet och kunskap om de inte får vägledning och övervakas av en person som ansvarar för deras säkerhet.
- ◆ Barn ska hållas under uppsikt så att de inte leker med verktyget.

Återstående risker

Ytterligare risker som inte finns med i de bifogade säkerhetsanvisningarna kan uppstå när verktyget används. Dessa risker kan uppstå vid felaktig eller långvarig användning, etc. Även om alla relevanta säkerhetsanvisningar följs och säkerhetsanordningar används kan vissa risker inte undvikas. Dessa omfattar:

- ◆ Skador orsakade av att roterande/rörliga delar vidrörs.
- ◆ Skador som uppstår vid byte av delar, blad eller tillbehör.
- ◆ Skador som orsakas av långvarig användning av ett verktyg. Se till att regelbundet ta vilopausar när du använder ett verktyg under en längre period.
- ◆ Hörselnedsättning.
- ◆ Hälsorisker orsakade av inandning av damm när redskapet används (exempel: arbete med trä, särskilt ek, bok och MDF.)

Vibrationer

De vibrationsvärden som anges i avsnitten Tekniska data och deklarerationen om överensstämmelse har uppmätts i enlighet med en standardtestmetod föreskriven i EN 60745 och kan användas för jämförelse med andra verktyg. Det angivna vibrationsvärdet kan även användas för en preliminär bedömning av exponeringen.

Varning! Vibrationsvärdet under faktisk användning av elverktyget kan skilja sig från det uppgivna värdet beroende på hur verktyget används. Vibrationsnivån kan överstiga den uppgivna nivån.

Vid uppskattningar av exponering för vibrationer i syfte att bedöma vilka säkerhetsåtgärder som är nödvändiga enligt 2002/44/EG för att skydda personer som regelbundet använder elverktyg i arbetet ska man utgå från de faktiska omständigheter under vilka elverktyget används och sättet på vilket det används. Bedömningen ska även ta hänsyn till alla moment i arbetscykeln, t.ex. när verktyget är avstängt och när det går på tomgång såväl som när det faktiskt används.

Etiketter på verktyget

Följande varningssymboler finns på verktyget, tillsammans med datumkoden:



Varning! Läs bruksanvisningen före användning för att minska risken för personskador.



Ha på sig hörselskydd med slagbormaskiner. Buller kan orsaka hörselskador.

Ytterligare säkerhetsinstruktioner för batterier och laddare (levereras inte med verktyget)

Batterier

- ◆ Försök aldrig öppna batteriet.
- ◆ Utsätt inte batteriet för vatten.
- ◆ Förvara inte apparaten på platser där temperaturen kan bli högre än 40 °C.
- ◆ Ladda endast vid temperaturer mellan 10 °C och 40 °C.
- ◆ Ladda endast med hjälp av laddare som medföljer verktyget.
- ◆ Följ instruktionerna som anges i avsnittet "skydda miljön" när du kastar batterierna.



Försök inte ladda skadade batterier.

Laddare

- ◆ Laddaren från Stanley Fat Max får bara användas för att ladda batteriet i det verktyg som laddaren levererades med. Andra batterier kan spricka och orsaka personskador och andra skador.

- ◆ Försök aldrig ladda batterier som inte är uppladdningsbara.
- ◆ Byt defekta sladdar omgående.
- ◆ Utsätt inte laddaren för vatten.
- ◆ Öppna inte laddaren.
- ◆ Gör ingen åverkan på laddaren.



Laddaren är endast avsedd för användning inomhus.



Läs bruksanvisningen före användning.

Elsäkerhet



Eftersom laddaren är dubbelisolerad behövs ingen jordledare. Kontrollera alltid att nätspanningen överensstämmer med värdet på typskylten. Försök aldrig byta ut kontakten till laddaren mot en vanlig kontakt.

- ◆ Om nätsladden är skadad måste den bytas ut av tillverkaren eller en auktoriserad Stanley Fat Max servicecenter för att farliga situationer ska undvikas.

Funktioner

Det här redskapet har några eller samtliga av följande funktioner.

1. Strömbrytare
2. Knapp framåt/bakåt
3. Ring för justering av vridmomentet
4. Områdesväljare för dubbelväxel
5. Snabbchuck
6. Batteri
7. Batterilåsknapp
8. LED-arbetsbelysning
9. Bitshållare

Användning

Varning! Låt redskapet arbeta i sin egen takt. Överbelasta inte.

Ladda batteriet

Batteriet måste laddas innan det används för första gången samt varje gång det inte ger tillräckligt hög effekt för arbeten som tidigare klarades av. Batteriet kan bli varmt när det laddas. Det är normalt och innebär inte att något är fel.

Varning! Ladda inte batteriet om temperaturen i luften är lägre än 10 °C eller högre än 40 °C. Den rekommenderade laddningstemperaturen är cirka 24 °C.

Notera: Laddaren laddar inte batteriet om celltemperaturen är lägre än ungefär 10 °C eller högre än 40 °C.

Batteriet får då sitta kvar i laddaren, som kommer att börja laddningen automatiskt när celltemperaturen har stigit eller sjunkit.

- ◆ Koppla in laddaren i lämpligt uttag innan batteripaketet sätts i.
- ◆ Sätt i batteripaketet i laddaren.



Den gröna LED kommer att blinka, vilket visar att batteriet laddas.



När laddningen är klar lyser den gröna LED-lampan med ett fast sken. Batteripaketet är fulladdat och kan nu användas eller lämnas i laddaren.

Varning! Ladda urladdade batterier så snart som möjligt efter användning, i annat fall kan batterilivslängden minska betydligt.

Laddardiagnostik

Denna laddare är designad att upptäcka vissa problem som kan uppstå med batteripaketet eller strömkällan. Problemen indikeras av en LED-blinkning i olika mönster.

Dåligt batteri



Laddaren kan upptäcka ett svagt eller skadat batteri. Den röda LED blinkar i mönstret som anges på etiketten. Om du ser detta blinkmönster för dåligt batteri, fortsätt då inte att ladda batteriet. Returnera det till ett servicecenter eller lämna det till batteriinsamlingen

Varm/kall fördröjning



När laddaren upptäcker ett batteri som är överdrivet hett eller överdrivet kallt, kommer den automatiskt att starta en varm/kall fördröjning och avbryta laddningen tills batteriet har nått en lämplig temperatur. När detta sker växlar laddaren automatiskt till paketladdningsläget.

Denna funktion garanterar maximal batterilivslängd. Den röda LED blinkar i mönstret som anges på etiketten när den heta/kalla paketfördröjningen upptäcks.

Problem strömledning



När laddaren används med vissa portabla strömkällor såsom generatorer eller källor som konverterar DC till AC, kan laddaren temporärt avbryta operationen. LED blinkar i mönstret som anges på etiketten. Det indikerar att strömkällan är utanför gränsen

Lämna batteriet i laddaren

Batteriet kan sitta kvar i laddaren och laddaren kan vara ansluten till vägguttaget hur länge som helst när indikatorn lyser. Laddaren ser till att batteriet hålls fräscht och fulladdat.

Viktiga laddningsnoteringar

- ◆ Längsta livslängd och bästa prestanda uppnås om batteripaketet laddas då lufttemperaturen är mellan 18 °C och 24 °C. Ladda INTE batteripaketet i lufttemperaturer under +4,5 °C eller över +40,5 °C. Detta är viktigt eftersom det förhindrar allvarlig skada på batteripaketet.
- ◆ Laddaren och batteripaketet kan bli för varma att vidröra under laddningen. Detta är normalt och indikerar inte något problem. För att möjliggöra kylning av batteripaketet, undvik att placera laddaren eller batteripaketet på en varm plats såsom i ett metallskjul eller i en oisolerad vagn.
 - ◆ Kontrollera eluttaget genom att ansluta en lampa eller någon annan apparat.
 - ◆ Kontrollera om uttaget är anslutet till en strömbrytare som stänger av strömmen när du tänder lamporna.
 - ◆ Flytta laddaren och batteripaketet till en plats där den omgivande temperaturen är ungefär 18 °C - 24 °C. d. Om laddningsproblemen kvarstår, lämna verktyget, batteripaketet och laddaren till ditt lokala Stanley Fat Max servicecenter.
- ◆ Batteripaketet måste laddas när de inte längre kan producera tillräckligt med energi för jobb som enkelt utfördes tidigare.
- ◆ FORTSÄTT INTE att använda det under dessa förhållanden. Följ laddningsproceduren.
- ◆ Du kan också ladda ett delvis använt paket när du så önskar utan att det har någon negativ effekt på batteripaketet.

Montering och borttagning av batteripaketet från verktyget

Varning! Innan du sätter i eller tar ut batterierna ska du kontrollera att låsreglaget är i låst läge, så att du inte råkar sätta på verktyget av misstag.

Installera batteripaketet

- ◆ Sätt fast batteripaketet i verktyget tills ett ljudligt klick hörs, såsom visas i figur A. Se till att batteripaketet er helt isatt och låst på plats.

Ta bort batteripaketet

- ◆ Tryck ned batterilåsknappen (7) såsom visas i figur B och dra bort batteripaketet från verktyget.

Avtryckare och framåt-/bakåtknapp - figur C

- ◆ Borrmaskinen slås PÅ och stängs AV genom att trycka på eller släppa avtryckaren (1) såsom visas i figur C. Ju längre avtryckaren trycks in desto högre hastighet på borrmaskinen.
- ◆ Med framåt-/bakåtknappen (2) väljer man verktygets riktning (höger-/vänstergång). Knappen fungerar även som låsknapp.
- ◆ För rotation höger (skruva in) släpp strömbrytaren och tryck på väljaren höger-/vänstergång på höger sida av verktyget.
- ◆ För rotation vänster tryck på väljaren höger-/vänstergång på vänster sida av verktyget.
- ◆ Den mittersta positionen låser verktyget i avstängt läge. Vid byte av position av kontrollknappen se till att avtryckaren är släppt.

Inställning av vridmomentkontrollen - figur D

Detta verktyg är utrustat med en inställningsring (3) för att välja driftläge och inställning av vridmomentet vid skruvdragning. Stora skruvar och dragning av skruvar i hårda material kräver ett högre vridmoment än små skruvar och mjuka material.

- ◆ Vid borring i trä, metall och plast vrider du ringen till läget med borsymbolen.
- ◆ Vid skruvdragning vrider du ringen till önskat läge. Om du inte vet vilket läge du ska välja gör du så här:
 - ◆ Ställ in ringen på det lägsta vridmomentet.
 - ◆ Dra åt den första skruven.
 - ◆ Om kopplingen slår ifrån innan önskat resultat är uppnått ökar du ringinställningen och fortsätter att dra åt skruven.
 - ◆ Upprepa tills du hittat rätt inställning.
 - ◆ Använd denna inställning för de återstående skruvarna.

Dubbel lägesomkopplare - figur E

Den här borrmaskinen har två olika hastighetslägen, vilket gör den mer flexibel.

- ◆ För att välja låg hastighet, högt vridmoment (position 1), stäng av verktyget och vänta tills det stannat. Skjut tillbaka hastighetsväljarknappen (4) bort från chucken.
- ◆ För att välja en hög hastighet, och lågt vridmoment (position 2), stäng av verktyget och vänta tills det stannat. Skjut hastighetsväljaren (d) framåt (mot chucken).

Notera: Flytta inte hastighetsväljaren när verktyget är påslaget. Om du har problem med att växla, se till att hastighetsväljarknappen är tryckt antingen helt framåt eller helt bakåt.

Snabbchuck - figur F

Varning! Innan du monterar eller tar bort tillbehör ska du kontrollera att batteripaketet är borttaget.

Så här monterar du en borrbits eller annat tillbehör:

- ◆ Håll chucken (5) och vrid den moturs såsom visas från chuckenändan.
- ◆ För in bitsen eller annat tillbehör helt i chucken och dra åt ordentligt genom att vrida chucken medurs såsom visas från chuckenändan.

Varning! Försök inte att dra åt eller lossa borrspetsar (eller något annat tillbehör) genom att greppa chuckens framdel och sätta igång verktyget. Personskador eller skador på chucken kan uppstå om tillbehör byts på detta sätt.

Skruvdragning

- ◆ Vid idragning av fästdon ska knappen framåt/bakåt vara skjuten åt vänster.
- ◆ Använd bakåt (knappen skjuten åt höger) för borttagning av fästdon.

Notera: Vid ändring från framåt till bakåt eller vice versa, släpp alltid avtryckaren först.

Borring

- ◆ Använd endast vassa borrbits.
- ◆ Stöd och fäst arbetsstycket ordentligt såsom instrueras i säkerhetsinstruktionerna.
- ◆ Använd lämplig och den säkerhetsutrustning som instrueras i säkerhetsinstruktionerna.
- ◆ Säkra och håll arbetsområdet såsom instrueras i säkerhetsinstruktionerna.
- ◆ Kör borren mycket sakta, använd lätt tryck tills hålet är tillräckligt stort för att hålla kvar borrbitsen.
- ◆ Tryck i bitsens riktning. Tryck tillräckligt hårt för att bitsen ska borra, men inte så hårt att motorn stannar eller bitsen böjer sig.
- ◆ Håll borrmaskinen fast med båda händerna, en hand på handtaget och den andra i ett grepp på undersidan runt batteriet eller extra handtaget om sådant finns.
- ◆ OM BORREN STANNAR SKA DU INTE FÖRSÖKA STARTA DEN IGEN GENOM ATT TRYCKA IN OCH SLÄPPA STRÖMBRYTAREN UPPREPADE GÅNGER.

Detta kan skada borren.

- ◆ Minska risken för att borren stannar vid genomborring genom att minska trycket och borra sakta den sista biten.
- ◆ Låt motorn vara igång medan du drar ut bitsen ur hålet. Då minskar risken för att verktyget kör fast.
- ◆ Se till att avtryckaren startar och stänger av borrmaskinen.

Borra i trä

Man kan borra i trä med samma borrarbits som används för metallborring eller med borrar med sidoskår. Använd välslipade bits och dra ut dem med jämna mellanrum under borringen för att rensa bort spån från spåren.

Borra i metall

Använd smörjolja vid borring i metall. Undantaget är gjutjärn och mässing som bör borras torrt. Sulfurerad skårolja fungerar bäst som skårolja.

Borra i murverk

Vid borring i murverk ställer du borrlägesväljaren (3) i läget slagborring i linje med symbolen med den markeringen. Använd murverksborr med karbidspets. Se borrarbortsektionen. Använd ett jämnt tryck på borsten, men tryck inte så hårt att det porösa materialet går sönder. Ett fint, jämnt flöde med damm indikerar korrekt borrhastighet.

LED-arbetsbelysning

När borsten är aktiverad genom tryckning på avtryckaren (1) kommer den integrerade LED-arbetsbelysningen (8) automatiskt att lysa på arbetsområdet.

Notera: Arbetslampan är till för att belysa det omedelbara arbetsområdet och är inte avsedd att användas som ficklampa.

Bitshållare

En bitshållare (9) är inbyggd i basen på verktyget.

Felsökning

Problem	Möjlig orsak	Möjlig lösning
Enheten startar inte.	Batteriet är inte korrekt installerat. Batteriet är inte laddat.	Kontrollera batteripaketets installation. Se till att batteriet är ordentligt laddat.
Enheten startar omedelbart när batteriet sätts i	Omkopplaren har lämnats i "på" positionen.	Omkopplaren måste flyttas till "av" för att förhindra att verktyget startar omedelbart när batteriet sätts i.
Batteriet går inte att ladda.	Batteriet är inte ordentligt isatt i laddaren. Laddaren är inte ansluten till elnätet. Omgivande temperatur är för varm eller för kall.	Sätt batteriet i laddaren så att LED lyser. Anslut laddaren till ett fungerande eluttag. Flytta laddaren och batteriet till en plats där temperaturen i den omgivande luften är över 45 °C eller under +40,5 °C.

Problem	Möjlig orsak	Möjlig lösning
Enheten stängs av plötsligt.	Batteriet har nått dess maximala termiska gräns. Slut på laddning. (För att maximera livslängden på batteripaketet är det designat att stängas av plötsligt när laddningen är slut	Låt batteripaketet svalna. Placera på laddare och ladda.

Underhåll

Detta Stanley Fat Max-verktyg har tillverkats för att fungera under lång tid med ett minimum av underhåll. Kontinuerlig tillfredsställande drift beror på ordentlig verktygsvård och regelbunden rengöring.

Laddaren behöver inget annat underhåll än regelbunden rengöring.

Varning! Ta ut batteriet ur verktyget innan du utför något underhåll på verktyget. Dra ur sladden till laddaren innan du rengör den.

- ◆ Rengör regelbundet verktygets luftintag och laddaren med en mjuk borste eller torr trasa.
- ◆ Rengör motorkåpan regelbundet med en fuktig trasa. Använd aldrig rengöringsmedel med lösnings- eller slip-medel.
- ◆ Öppna chucken med jämna mellanrum och knacka på den för att avlägsna damm som sitter på insidan.

Skydda miljön



Separat insamling. Produkter och batterier som är markerade med denna symbol får inte kastas in de vanliga hushållssoptorna.

Produkterna och batterierna innehåller material som kan återvinnas eller återanvändas, vilket sänker behovet av råmaterial. Återvinn elektriska produkter och batterier enligt lokala bestämmelser. Närmare information finns tillgänglig på www.2helpU.com.

Tekniska data

		FMC626
Spänning	V _{DC}	18V
Varvtal obelastad	Min ⁻¹	0-350/0-1500
Max vridmoment	Nm	47
Chuckkapacitet	mm	13

		FMC626
Maximal borrkapacitet		
Ståll/tråmurverk	mm	13/35/13
Vikt	kg	1.2

Laddare	905998**	906086**	90636454
Inspänning	V_{AC} 230	230	230
Utspänning	V_{DC} 18	18	18
Strömstyrka	mA 1000	2000	1000
Laddningstid cirka	Mins 80-240	40-120	80-240

Batteri	FMC685L	FMC687L	FMC684L	FMC688L
Spänning	V_{AC} 18	18	18	18
Kapacitet	Ah 1.5	2.0	1.3	4.0
Typ	Li-Ion	Li-Ion	Li-Ion	Li-Ion

Ljudnivå enligt EN 60745:
Ljudnivå (L_{pA}) 87.0 dB(A), osäkerhet (K) 3 dB(A)
Ljudeffekt (L_{WA}) 98.0 dB(A), osäkerhet (K) 3 dB(A)

Totala vibrationsvärden (vektorsumman av tre axlar) enligt EN 60745:
Borning i metall ($a_{h,D}$) <2.5 m/s ² , osäkerhet (K) 1.5 m/s ²
Impact boring ($a_{h,D}$) 14.9 m/s ² , osäkerhet (K) 1.5 m/s ²
Skruvdragning utan slagfunktion ($a_{h,D}$) <2.5 m/s ² , osäkerhet (K) 1.5 m/s ²

EG-deklaration om överensstämmelse

MASKINDIREKTIV



FMC626 – Borr/skruvdragare

Stanley Europe garanterar att produkterna som beskrivs

under "Tekniska data" uppfyller:

2006/42/EC, EN60745-1:2009+A11:2010 EN60745-2-1:2010

EN60745-2-2:2010

De här produkterna överensstämmer även med direktivet
2004/108/EG.
(till 19 april 2016)
2014/30/EU (från 20 april 2016)
och 2011/65/EU.

För ytterligare information, kontakta Stanley Europe på följande adress eller se slutet av bruksanvisningen.

Undertecknad är ansvarig för sammanställning av den tekniska filen och gör denna förklaring å.

Stanley Fat Max vägnar.

R. Laverick

Engineering Manager

Stanley Fat Max Europe, Egide Walschaertsstraat14-18,

2800 Mechelen, Belgium

19/12/2017

Garanti

Stanley Fat Max är säker på kvaliteten hos denna produkt och erbjuder kunder 12 månaders garanti från inköpsdatumet. Garantin gäller utöver konsumentens rättigheter enligt lag och påverkar inte dessa. Garantin är giltig i de territorier som tillhör medlemsstaterna i Europeiska unionen och det europeiska frihandelsområdet.

För yrkande under garantin måste yrkandet vara in enlighet med Stanley Fat Maxs villkor och du kommer att behöva skicka in bevis på köpet till försäljaren eller en auktoriserad reparatör. Villkoren för Stanley Fat Maxs tvååriga garanti och var du hittar din närmaste auktoriserade reparatör kan erhållas på internet på www.2helpU.com, eller genom att kontakta ditt lokala Stanley Fat Max kontor på adressen som angetts i denna bruksanvisning.

Besök vår webbplats www.stanley.eu/3 för att registrera din nya Stanley Fat Max-produkt samt för att få information om nya produkter och specialerbjudanden.

Tiltenkt bruk

Din Stanley Fat Max FMC626 drill/skrutrekker er utformet for bruk som skrutrekker og for boring i tre, metall, plast og løs mur. Dette apparatet er tiltenkt både fagarbeidere og private brukere.

Sikkerhetsinstruksjoner

Generelle sikkerhetsadvarsler for elektroverktøy



Advarsel! Les alle sikkerhetsadvarsler og alle instruksjoner. Hvis advarslene og anvisningene nedenfor ikke overholdes, kan det medføre elektrisk støt, brann og/eller alvorlige personskader.

Ta vare på alle advarsler og instruksjoner for fremtidig bruk. Uttrykket "elektroverktøy" i alle advarslene nedenfor gjelder for strømdrevne elektroverktøy (med ledning) og batteridrevne elektroverktøy (uten ledning).

1. Sikkerhet i arbeidsområdet

- Hold arbeidsområdet rent og godt opplyst.** Rotete eller mørke områder er en invitasjon til ulykker.
- Ikke arbeid med elektroverktøy i eksplosjonsfarlige omgivelser, for eksempel der det befinner seg brennbare væsker, gass eller støv.** Elektrisk verktøy skaper gnister som kan antenne støv eller gasser.
- Hold barn og andre personer unna når du bruker et elektroverktøy.** Distraksjoner kan føre til at du mister kontrollen.

2. Elektrisk sikkerhet

- Støpselet til elektroverktøy må passe til stikkkontakten.** Aldri modifier støpselet på noen måte. Ikke bruk adapterstøpsler til jordede elektriske verktøy. Umodifiserte støpsler og stikkontakter som passer vil redusere risikoen for elektrisk sjokk.
- Unngå kroppskontakt med jordede overflater som rør, radiatorer, komfyrer og kjøleskap.** Det er økt risiko for elektrisk støt dersom kroppen din er jordat.
- Ikke utsett elektroverktøy for regn eller fuktighet.** Dersom det kommer vann inn i et elektrisk verktøy vil det øke risikoen for elektrisk sjokk.
- Unngå uforvarslig behandling av ledningen. Aldri bruk ledningen til å bære, trekke eller dra ut støpselet til det elektriske verktøyet.** Hold ledningen borte fra varme, olje, skarpe kanter eller bevegelige deler. Skadede eller innviklede ledninger øker risikoen for elektrisk sjokk.
- Når du bruker et elektroverktøy utendørs, må du bruke en skjøteledning som er egnet til utendørs bruk.** Bruk av en skjøteledning beregnet for utendørs bruk reduserer risikoen for elektrisk støt.

- Hvis du ikke kan unngå å bruke elektroverktøy på et fuktig sted, må du bruke en strømforsyning som er beskyttet med jordfeilbryter.** Bruk av jordfeilbryter (RCD) reduserer risikoen for elektrisk sjokk.

3. Personikkerhet

- Vær oppmerksom, pass på hva du gjør, og vis fornuft når du arbeider med et elektroverktøy. Ikke bruk et elektrisk verktøy dersom du er trøtt eller er påvirket av medikamenter, narkotika eller alkohol.** Ett øyeblikks uoppmerksomhet under bruk av elektriske verktøy kan føre til alvorlig personskade.
- Bruk personlig verneutstyr. Bruk alltid vernebriller.** Verneutstyr slik som støvmaske, skliskre vernesko, hjelm, eller hørselsvern brukt under passende forhold vil redusere personskader.
- Forhindre utilsiktet start. Kontroller at bryteren står i posisjon "av" før du kobler til strømkilden og/eller batteripakken, og før du tar opp eller bærer verktøyet.** Å bære elektriske verktøy med fingeren på bryteren eller å sette inn støpselet mens elektriske verktøy har bryteren på øker faren for ulykker.
- Fjern eventuelt innstillingsverktøy eller skruverktøy før du slår på elektroverktøyet.** Et skruverktøy eller en nøkkel som fortsatt er festet til en roterende del av elektroverktøyet, kan føre til personskade.
- Ikke strekk deg for langt. Ha godt fofeste og stå støtt hele tiden.** Dette fører til at du har bedre kontroll over det elektriske verktøyet ved uventede situasjoner.
- Bruk egnede klær. Ikke ha på deg løstsittende klær eller smykker. Hold hår, antrekk og hansker borte fra bevegelige deler.** Løstsittende klær, smykker og langt hår kan bli fanget opp av bevegelige deler.
- Hvis det kan monteres støvavsug- og oppsamlingsinnretninger, må du forvise deg om at disse er tilkoblet og brukes på riktig måte.** Bruk av støvoppsamlere kan redusere støvrelaterte farer.

4. Bruk og behandling av elektroverktøy

- Ikke bruk makt på elektroverktøyet. Bruk det elektriske verktøyet som situasjonen krever.** Det riktige elektriske verktøyet vil gjøre jobben bedre og tryggere ved den hastigheten det ble konstruert for.
- Ikke bruk elektroverktøyet hvis du ikke kan slå det på og av med bryteren.** Ethvert elektrisk verktøy som ikke kan kontrolleres med bryteren er farlig og må repareres.
- Trekk støpselet ut av stikkkontakten og/eller koble fra batteripakken på elektroverktøyet før du utfører innstillinger, bytter tilbehør eller legger elektroverktøyet bort.** Slike preventive sikkerhetsforanstaltninger reduserer risikoen for å starte det elektriske verktøyet ved et uhell.

- d. **Elektroverktøy som ikke er i bruk, må oppbevares utilgjengelig for barn. Ikke la verktøyet bli brukt av personer som ikke er fortrolige med det, eller som ikke kjenner disse instruksjonene.** Elektriske verktøy er farlige i hendene på utrenede brukere.
- e. **Sørg for vedlikehold av elektroverktøy. Undersøk om bevegelige deler er feiljustert eller blokkert, om deler er skadet, og om det er andre forhold som kan påvirke elektroverktøys funksjon. Dersom det er skadet, få verktøyet reparert før neste bruk.** Mange ulykker forårsakes av dårlig vedlikeholdte verktøy.
- f. **Hold skjæreverktøy skarpe og rene.** Godt vedlikeholdte skjæreverktøy med skarpe skjærekanter setter seg mindre sannsynlig fast og er lettere å kontrollere.
- g. **Bruk elektroverktøy, tilbehør, bor osv. i henhold til disse instruksjonene. Ta hensyn til arbeidsforholdene og arbeidet som skal utføres.** Bruk av det elektriske verktøyet for oppgaver som er forskjellige fra de som er tiltenkt kan føre til en farlig situasjon.
5. **Bruk og stell av batteriverktøy**
- a. **Ladningen skal bare skje med den laderen som produsenten har spesifisert.** En lader som passer for en type batteripakke kan føre til risiko for brann dersom den brukes på en annen batteripakke.
- b. **Bruk elektroverktøy bare sammen med spesifikt angitte batteripakker.** Bruk av andre batteripakker kan føre til risiko for personskade og brann.
- c. **Når batteripakken ikke er i bruk, må du oppbevare den atskilt fra andre metallgjenstander som binders, mynter, nøkler, spiker, skruer eller andre små metallgjenstander som kan opprette en forbindelse fra en terminal til en annen.** Kortslutning av batteripolene mot hverandre kan føre til brannskade eller brann.
- d. **Ved feilaktig bruk kan det komme væske ut av batteriet, unngå kontakt med den. Dersom du kommer i kontakt med den, skyll av med vann. Dersom du får væsken i øynene, søk legehjelp.** Væske som kommer ut av batteriet kan føre til irritasjon eller brannskader.
6. **Service**
- a. **Elektroverktøy skal repareres av kvalifisert personell og bare med originale reservedeler.** Dette vil sikre at verktøys sikkerhet blir ivaretatt.

- ◆ **Hold elektroverktøyet i de isolerte håndtakene når du utfører et arbeid der skjæretilbehøret kan komme i kontakt med skjulte ledninger.** Kapping av en strømførende ledning kan føre til at eksponerte metalldeleer på elektroverktøyet blir strømførende, og kan gi operatøren støt.
- ◆ **Hold det elektriske verktøyet kun i isolerte gripeoverflater når du utfører operasjoner hvor skruen kan komme i kontakt med skjulte ledninger.** Skruer som kommer i kontakt med en strømførende ledning kan føre til at eksponerte metalldeleer på elektroverktøyet blir strømførende, og kan gi brukeren støt.
- ◆ **Bruk klemmer eller en annen praktisk måte å feste og støtte arbeidsstykket på en stabil plattform.** Å holde arbeidsstykket i hendene eller mot kroppen er ustabil og kan føre til at du mister kontroll.
- ◆ Fø du borer i vegger, gulv eller tak, må du kontrollere plasseringen av kabler og rør.
- ◆ Unngå å komme i berøring med spissen på et bor rett etter boring, da den kan være varm.
- ◆ Bruksområdet er beskrevet i denne bruksanvisning. Hvis du bruker annet tilbehør, kobler til annet utstyr eller bruker dette produktet til andre oppgaver enn det som er anbefalt i denne håndboken, kan det medføre fare for personskader og/eller skade på eiendom.

Andre personers sikkerhet

- ◆ Det er ikke meningen at dette verktøyet skal brukes av personer (inkludert barn) med reduserte fysiske, sansemessige eller mentale evner, eller personer som mangler erfaring og kunnskap, med mindre de har fått oppfølging eller instruksjoner for bruken av verktøyet fra en person som er ansvarlig for deres sikkerhet.
- ◆ Barn må holdes under oppsyn, sørg for at de ikke leker med apparatet.

Restrisikoer

Når verktøyet brukes, kan det oppstå ytterligere risikoer som kanskje ikke er beskrevet i de medfølgende sikkerhetsadvarslene. Disse risikoene kan bli forårsaket av feil bruk, langvarig bruk osv.

Selv om de relevante sikkerhetsbestemmelsene blir fulgt, og sikkerhetstiltakene blir gjennomført, kan visse gjenværende risikoer ikke unngås. Disse inkluderer:

- ◆ Personskader som forårsakes av berøring av en roterende/bevegelig del.
- ◆ Personskader som oppstår ved skifte av deler, blader eller tilbehør.
- ◆ Personskader som skyldes for lang tids bruk av verktøyet. Når du bruker et verktøy i lange perioder, må du sørge for å ta regelmessige pauser.
- ◆ Hørselskader.

Ytterligere sikkerhetsadvarsler for elektroverktøy



Advarsel! Ytterligere sikkerhetsadvarsler for batteridrevne driller og skrutrekkerer

- ◆ **Bruk hjelpehåndtak som følger ned verktøyet.** Å miste kontroll kan forårsake personskade.

- ◆ Helsefarer forårsaket av innånding av støv som utvikler seg når du bruker verktøyet (eksempel: arbeid med tre, spesielt eik, bøk og MDF.)

Vibrasjon

Vibrasjonsemissjonsverdien som er angitt under tekniske data og samsvarserklæring, er blitt målt i henhold til en standard testmetode som er angitt i EN 60745, og kan brukes til å sammenligne et verktøy med et annet. Den oppgitte vibrasjonsemissjonsverdien kan også brukes til en foreløpig vurdering av eksponering.

Advarsel! Vibrasjonsemissjonsverdien under faktisk bruk av elektroverktøyet kan avvike fra den oppgitte verdien avhengig av måten verktøyet blir brukt på. Vibrasjonsnivået kan øke over nivået som er oppgitt.

Når det vurderes vibrasjonseksponering for å avgjøre hvilke sikkerhetstiltak som kreves ifølge 2002/44/EF, for å beskytte personer som bruker elektroverktøy regelmessig til arbeidsformål, skal det, når vibrasjonseksponeringen anslås, tas hensyn til de faktiske bruksforholdene og måten verktøyet blir brukt på. Dette inkluderer å ta hensyn til alle deler av brukssyklusen, for eksempel når verktøyet er avslått, når det går på tomgang og når utløseren er trykket inn.

Etiketter på verktøyet

Følgende advarselssymboler vises på verktøyet sammen med datokoden:



Advarsel! Brukeren må lese håndboken for å redusere risikoen for personskade.



Bruk hørselsvern med slagbormaskiner. Eksponering for støv kan føre til hørselstap.

Ytterligere sikkerhetsinstruksjoner for batterier og ladere (følger ikke med verktøyet)

Batterier

- ◆ Forsøk aldri å åpne av noen årsak.
- ◆ Ikke utsett batteriene for vann.
- ◆ Ikke oppbevar det på steder hvor temperaturen kan komme over 40 °C.
- ◆ Lad bare ved temperaturer mellom 10 og 40 °C.
- ◆ Bruk bare laderen som følger med apparatet.
- ◆ Følg instruksene som finnes i avsnittet "Miljøvern" når du skal kaste batterier.



Ikke forsøk å lade opp skadede batterier.

Ladere

- ◆ Stanley Fat Max-laderen skal bare brukes til å lade batteriet i apparatet som laderen kom sammen med.

Andre batterier kan sprekke og føre til personskade og materiell skade.

- ◆ Prøv aldri å lade ikke-oppladbare batterier.
- ◆ Skift ut defekte ledninger umiddelbart.
- ◆ Ikke utsett laderen for vann.
- ◆ Ikke åpne laderen.
- ◆ Ikke stikk gjenstander eller fingre inn i laderen.



Adapteren er bare beregnet for innendørs bruk.



Les denne håndboken før bruk.

Elektrisk sikkerhet



Denne laderen er dobbeltisolert. Jording er derfor ikke nødvendig. Kontroller alltid at nettspenningen er i overensstemmelse med spenningen på typeskiltet. Ikke skift ut laderen med et vanlig netttøpsel.

- ◆ Hvis strømledningen blir skadet, må den skiftes av produsenten eller et autorisert Stanley Fat Max-servicesenter så man unngår fare.

Funksjoner

Dette apparatet har noen av eller alle funksjonene nedenfor.

1. Utløserbryter
2. Fremover/bakover knapp
3. Momentjusteringsmansjett
4. Gir med to områder
5. Nøkkelløs chuck
6. Batteri
7. Batteriutløserknapper
8. LED-arbeidslampe
9. Bitsholder

Bruk

Advarsel! La verktøyet arbeide i sin egen hastighet. Må ikke overbelastes.

Lading av batteriet

Batteriet må lades før første gang det brukes, og hver gang det ikke lenger gir nok strøm til oppgaver som tidligere ble utført uten problemer. Batteriet kan bli varmt under lading. Dette er normalt og innebærer ikke feil.

Advarsel! Ikke lad batteriet ved omgivelsestemperaturer under 10 °C eller over 40 °C. Anbefalt ladetemperatur er ca. 24 °C.

Merk: Laderen vil ikke lade et batteri hvis celledemperaturen er under ca. 10 °C eller over 40 °C.

Du bør la batteriet stå i laderen. Laderen begynner å lade automatisk når celledemperaturen blir høyere eller lavere.

- ◆ Plugg inn laderen i en passende stikkontakt før du setter inn batteripakken.
- ◆ Sett batteripakken inn i laderen.



Det grønne LED-lyset blinker for å varsle om at batteriet lades.



Fullført lading vises ved at det grønne LED-lyset lyser konstant. Pakken er fullt oppladet og kan nå brukes eller bli værende i laderen.

Advarsel! Lad opp utladete batterier så fort som mulig etter bruk, ellers vil batteriets levetid forringes.

Laderdiagnose

Denne laderen er designet for å oppdage visse problemer som kan oppstå med batteripakken eller strømkilden. Problemer indikeres av et LED-lys som blinker i ulike mønstre.

Dårlig batteri



Laderen kan oppdage et svakt eller ødelagt batteri. LED-lyset blinker i mønsteret som er indikert på merkelappen. Hvis du ser dette blinkemønsteret for dårlig batteri, skal du ikke fortsette å lade batteriet. Returner det til et service-senter eller et oppsamlingssted for resirkulering.

Ventetid for varm/kald pakke



Dersom laderen detekterer et batteri som er for varmt eller for kaldt, vil den automatisk starte en "varm/kald pakke forsøkelse", og venter med å lade til batteriet har passende temperatur. Etter at dette har skjedd vil laderen automatisk skifte til pakkelademodus. Denne funksjonen sikrer maksimal levetid på batteriet. Det røde LED-lyset blinker i mønsteret indikert på merkelappen når varm/kald pakkeforsøkelse er oppdaget.

Problem strømtilførsel



Når laderen brukes med mobil strømtilførsel slik som generatorer eller kilder som konverterer DC til AC, kan laderen stoppe opp midlertidig. LED-lyset blinker i mønsteret som er indikert på merkelappen. Dette indikerer at strømtilførselen ikke er tilgjengelig.

La batteriet være i laderen

Laderen og batteripakken kan forbli tilkoblet med lysende LED-lys i ubegrenset tid. Laderen holder batteripakken klar og fulladet.

Viktige merknader om laderen

- ◆ Lang levetid og best ytelse oppnås dersom batteripakken lades med lufttemperatur mellom 65°F og 75°F (18°-24°C). IKKE lade batteripakken med lufttemperatur under +4.5 °C (+4,5°C), eller over +40.5 °C (+40,5°C). Dette er viktig og vil forhindre alvorlig skade på batteripakken.
- ◆ laderen og batteripakken kan være varme å ta på under lading. Dette er normalt og er ikke et tegn på et problem. For å muliggjøre bedre kjøling av batteripakken etter bruk, unngå å oppbevare laderen i varme omgivelser slik som et metallskur eller en uisolert trailer.
- ◆ Hvis batteripakken ikke lader skikkelig:
 - ◆ Kontroller strømmen i kontakten ved å sette inn en lampe eller et annet apparat.
 - ◆ Kontroller at stikkkontakten er koblet til en lysbryter som slår av strømmen når du slår av lyset.
 - ◆ Flytt laderen og batteripakken til et sted hvor omgivelsestemperaturen er omtrent 65°F - 75°F (18°-24°C). d. Hvis ladeproblemene vedvarer, ta verktøyet, batteripakken og laderen til ditt lokale Stanley Fat Max servicesenter.
- ◆ Denne batteripakken med lang levetid må lades opp når den slutter å gi nok strøm til jobber som ble utført litt tidligere.
- ◆ I så fall, IKKE fortsett å bruke verktøyet. Følg ladeprosedyren.
- ◆ Du kan også lade opp en halvutladet pakke når som helst uten at det har noen effekt på batteripakken.

Sette inn og ta av batteripakke på verktøyet

Advarsel! Pass på at låseknappen er i bruk for å hindre utilsiktet aktivering av bryteren før du tar ut eller setter inn et batteri.

Installere batteripakken

- ◆ Sett batteriet inn i batterihuset til det er hekt inne og du hører et klikk som vist på figur L. Forsikre deg om at batteripakken sitter helt inne og er låst i posisjon.

Ta ut batteripakken

- ◆ Trykk på batteriutløserknappen (7) som vist på figur B og dra batteripakken ut av verktøyet.

Avtrekkerbryter og forover/bakover knapp - figur C

- ◆ Drillen slås PÅ og AV ved å dra og slippe avtrekkeren (1) som vist i figur C. Desto mer du trykker avtrekkeren, desto raskere går drillen.
- ◆ En kontrollknapp (2) for fremover/bakover bestemmer retningen på verktøyet og tjener også som låseknapp.
- ◆ For å velge rotasjon fremover, slipp avtrekksbryteren og trykk fremover/bakover kontrollknappen på høyresiden av verktøyet.
- ◆ For å velge bakover, trykk fremover/bakover kontrollknappen på venstre siden av verktøyet.
- ◆ Når kontrollknappen står i midten er verktøyet låst. Når du skifter kontrollknappens posisjon, påse at avtrekksbryteren er sluppet.

Justering av dreiemomentkontrollen - figur D

Dette verktøyet er utstyrt med en mansjett (3) for å velge bruksmodus og stille inn moment for å skru til skruer. Store skruer og arbeidsstykker i harde materialer krever høyere moment er små skruer og arbeidsstykker med bløte materialer.

- ◆ For boring i tre, metall og plast stilles mansjettene i stillingen med boresymbolet.
- ◆ Ved bruk som skrutrekker settes mansjettene i ønsket stilling. Hvis du ikke vet hva som er riktig innstilling ennå, går du frem slik:
 - ◆ Sett mansjettene i stillingen for laveste moment.
 - ◆ Skru til den første skruen.
 - ◆ Hvis koblingen lager en klikkelyd før du oppnår ønsket resultat, øker du innstillingen av mansjettene og fortsetter å stramme skruen.
 - ◆ Gjenta til du når korrekt innstilling.
 - ◆ Bruk denne innstillingen for de gjenværende skruene.

To-område bryter - figur E

To-område funksjonen gjør det mulig å skifte gir og gir dermed større fleksibilitet.

- ◆ For å velge lav hastighet, høyt dreiemoment (posisjon 1), slå av verktøyet og la det stoppe. Skyv girskifterknappen (4) bort fra chucken.
- ◆ Når du skal velge høy hastighet og lavt dreiemoment (posisjon 2), skruer du verktøyet av og venter til det stopper. Skyv girskifterknappen mot chucken.

Merk: Ikke skift gir når verktøyet er i gang. Dersom du har problemer med å skifte gir, pass på at to-trinns girskifter er skjøvet enten helt forover eller helt bakover.

nøkkelløs chuck - figur F

Advarsel! Pass på at verktøyet er låst for å hindre utilsiktet aktivering av bryteren før du setter på eller tar av tilbehør. Slik setter du inn et bor eller annet tilbehør:

- ◆ Hold i chucken (5) , og dreid den mot klokken sett fra enden av chucken.
- ◆ Sett bor eller annet tilbehør helt inn i borelåsen, og stram godt ved å vri borelåsen med klokken.

Advarsel! Ikke forsøk å stramme drill-bits (eller annet tilbehør) ved å gripe rundt fronten av chucken og deretter slå på verktøyet. Det kan oppstå skade på borelåsen og personskaade når tilbehør skiftes.

Skruing

- ◆ Når du setter inn skruer, skal knappen for fremover/bakover være røyskjøvet til venstre.
- ◆ Bruk reversknappen (knappen trykkes til høyre) for å ta ut skruer.

Merk: Når du skifter fra forover til revers, slipp alltid avtrekkeren først.

Boring

- ◆ Bruk kun skarpe drillbits.
- ◆ Støtt opp og fest arbeidsstykket godt, som angitt i sikkerhetsanvisningene.
- ◆ Bruk skikkelig og riktig verneutstyr som beskrevet i sikkerhetsinstruksjonen.
- ◆ Sikre og vedlikehold arbeidsområdet som beskrevet i sikkerhetsinstruksjonen.
- ◆ Kjør maskinen svært langsomt til hullet er dypt nok til å holde drillbiten fra å skli ut.
- ◆ Trykk i rett linje med boret. Bruk nok trykk til at boret biter, men ikke så mye at motoren stanser eller at boret skifter retning.
- ◆ Hold boremaskinen godt med begge hender, en hånd på håndtaket og den andre rundt bunnen rundt batteriet og ekstrahåndtaket, dersom montert.
- ◆ **IKKE KLIKK MED BRYTEREN PÅ ET FASTKJØRT VERKTØY PÅ OG AV FOR Å FORSØKE Å STARTE DET. BOREMASKINEN KAN BLI SKADET.**
- ◆ Reduser blokkering til et minimum ved gjennombrudd ved å redusere trykket og bore langsomt gjennom den siste delen av hullet.
- ◆ Hold motoren i gang mens du trekker boret ut av det borede hullet. Dette vil bidra til å redusere fastkjøring.
- ◆ Forsikre deg om at bryteren slår drillen på og av.

Boring i tre

Hull i tre kan bores med de samme spiralborene som brukes til metall, eller med flate bor. Disse borene bør være skarpe og bør trekkes ut ofte under boringen så spon kan fjernes fra furene i boret.

Bore i metall

Bruk et en skjærevæske for smøring ved boring i metall. Unntak er støpejern og messing som bør bores tørt. Smøremidlene som virker best, er svovelholdig skjærelje eller fettolje.

Bore i mur

Hvis du skal bore i mur, setter du kragen (3) til hammer drillingsposisjon ved å rette symbolet med merkingen. Bruk murbor med karbidtupp. Se kapittel om boring. Bruk jevn kraft på drillen, men ikke så mye at du knekker det sprø materialet. En myk, jevn strøm av støv tyder på korrekt borehastighet.

LED-arbeidslampe

Når boremaskinen startes ved å trykke på avtrekkeren (1), vil den LED arbeidslampen (8) automatisk tennes og lyse opp arbeidsområdet.

Merk: Arbeidslyset er for å belyse den nærmeste arbeidsflaten, og er ikke ment å brukes som lykt.

Lagring av bits

På bunnen av verktøyet er det et spor (9) for lagring av bits.

Feilsøking

Problem	Mulig årsak	Mulig løsning
Enheden starter ikke.	Batteripakken er ikke satt inn riktig.	Kontroller innsetting av batteripakken.
	Batteripakken er ikke ladet.	Kontroller kravene til lading av batteripakken
Enheden starter umiddelbart etter at batteriet er satt inn	Bryteren er satt i "på" posisjon.	Bryteren må være satt til "av" for å hindre at verktøyet starter straks når batteriet settes inn.
Batteripakken blir ikke ladet.	Batteripakken er ikke satt inn i laderen.	Sett batteripakken inn i laderen til LED-lyset lyser.
	Laderen er ikke satt i stikkontakten.	Sett laderen i en stikkontakt som virker.
	Omgivelsestemperaturen er for varm eller kald.	Flytt laderen og batteriet til et sted med lufttemperatur over 40 grader F (45°C) eller under 105 grader F (+40,5°C)

Problem	Mulig årsak	Mulig løsning
Enheden stopper brått.	Batteripakken har nådd sin maksimale temperaturgrense.	La batteripakken kjøle seg ned.
	Ikke oppladet. (For å få lengst mulig levetid på batteriet, er batteripakken designet for å slå seg av straks den er utladet)	Sett i laderen og la den lade seg opp.

Vedlikehold

Stanley Fat Max-verktøyet ditt er konstruert for å være i drift over lengre tid med et minimum av vedlikehold. For at den skal fungere tilfredsstillende over tid, er det viktig å sørge for riktig stell av verktøyet og regelmessig renhold.

Laderen krever ikke annet vedlikehold enn regelmessig rengjøring.

Advarsel! Før du utfører vedlikehold på verktøyet, må du fjerne batteriet fra verktøyet. Trekk ut laderen fra stikkontakten før du rengjør den.

- ◆ Rengjør ventilasjonsåpningene i verktøyet og laderen jevnlig med en myk børste eller tørr klut.
- ◆ Rengjør motorhuset regelmessig med en fuktig klut. Ikke bruk slipende eller løsemiddelbaserte rengjøringsmidler.
- ◆ Åpne chucken regelmessig, og bank på den for å fjerne eventuelt støv fra innsiden.

Miljøvern



Separat avfallshåndtering. Produkter og batterier merket med dette symbolet skal ikke kastes i vanlig husholdningsavfall.

Produkter og batterier inneholder materialer som kan gjenbrukes eller gjenvinnes for å redusere behovet for nye råmaterialer. Vennligst lever elektrisk utstyr og batterier til gjenbruk i henhold til lokale regler. Mer informasjon finner du på www.2helpU.com

Tekniske data

		FMC626
Spenning	V_{DC}	18V
Ubelastet hastighet	Min^{-1}	0-350/0-1500
Maks. dreiemoment	Nm	47
Chuck kapasitet	mm	13
Maks. borekapasitet		
Ståll/tre/murverk	mm	13/35/13
Vekt	kg	1,2

Lader		905998**	906086**	90636454
Inngangsspenning	V_{AC}	230	230	230
Utgangsspenning	V_{DC}	18	18	18
Strøm	mA	1000	2000	1000
Omtrentlig ladetid	Mins	80-240	40-120	80-240

Batteri		FMC685L	FMC687L	FMC684L	FMC688L
Spenning	V_{AC}	18	18	18	18
Kapasitet	Ah	1.5	2.0	1.3	4.0
Type		Li-Ion	Li-Ion	Li-Ion	Li-Ion

Lydtrykknivå i henhold til EN 60745:
Lydtrykk (L_{pA}) 87,0 dB(A), usikkerhet (K) 3 dB(A)
Lydeffekt (L_{WA}) 98,0 dB(A), usikkerhet (K) 3 dB(A)

Totale vibrasjonsverdier (vektorsum fra tre retninger) bestemt i samsvar med EN 60745:
Boring i metall ($a_{h,D}$) <2,5 m/s ² , usikkerhet (K) 1,5 m/s ²
Slagboring ($a_{h,D}$) 14,9 m/s ² , usikkerhet (K) 1,5 m/s ²
Skruing uten slag ($a_{h,D}$) <2,5 m/s ² , usikkerhet (K) 1,5 m/s ²

EU-samsvarserklæring

MASKINERIDIREKTIV



FMC626 – Drill, skrutrekker

Stanley Europe erklærer at disse produktene som er beskrevet

ved under "Tekniske data", er i samsvar med:

2006/42/EU, EN60745-1:2009+A11:2010 EN60745-2-1:2010
EN60745-2-2:2010

Disse produktene er også i samsvar med direktivet 2004/108/

EU
(til 19/04/2016)
2014/30/EU (from 20/04/2016)
og 2011/65/EU.

Hvis du ønsker mer informasjon, kontakt Stanley Fat Max på følgende adresse, eller se på baksiden av bruksanvisningen.

Undertegnede er ansvarlig for sammenstillingen av den tekniske filen og fremsetter denne erklæringen på vegne av

Stanley Fat Max.

R. Laverick

Engineering Manager

Stanley Fat Max Europe, Egide Walschaertsstraat14-18,
2800 Mechelen, Belgium
19/12/2017

Garanti

Stanley Fat Max er trygg på kvaliteten av produktene sine og tilbyr en 12 måneders garanti fra kjøpsdato. Denne garanti-erklæringen kommer i tillegg til dine lovbestemte rettigheter og er ikke i konflikt med disse. Garantien er gyldig innen områdene tilhørende medlemslandene i den Europeiske Union (EU) og det Europeiske Frihandelsområdet (EFTA).

For å ta garantien i bruk må kravet være i samsvar med kjøpsbetingelsene fra Stanley Fat Max og du må vise kjøpskvittering til forhandleren eller til et autorisert serviceverksted. Betingelsene for Stanley Fat Maxs 1 års garanti og adressen til din nærmeste autoriserte serviceverksted kan du finne på internett under www.2helpU.com, eller ved å kontakte ditt lokale Stanley Fat Max kontor, adressen er angitt i denne bruksanvisningen.Besøk våre nettsider på www.stanley.eu/3 for å registrere ditt nye Stanley Fat Max-produkt og for å få informasjon om nye produkter og spesialtilbud.

Tiltenkt bruk

Din Stanley Fat Max FMC626 drill/skrutrekker er utformet for bruk som skrutrekker og for boring i tre, metall, plast og løs mur. Dette apparatet er tiltenkt både fagarbeidere og private brukere.

Sikkerhetsinstruksjoner

Generelle sikkerhetsadvarsler for elektroverktøy



Advarsel! Les alle sikkerhetsadvarsler og alle instruksjoner. Hvis advarslene og anvisningene nedenfor ikke overholdes, kan det medføre elektrisk støt, brann og/eller alvorlige personskader.

Ta vare på alle advarsler og instruksjoner for fremtidig bruk. Uttrykket "elektroverktøy" i alle advarslene nedenfor gjelder for strømdrevne elektroverktøy (med ledning) og batteridrevne elektroverktøy (uten ledning).

1. Sikkerhet i arbeidsområdet

- Hold arbeidsområdet rent og godt opplyst.** Rotete eller mørke områder er en invitasjon til ulykker.
- Ikke arbeid med elektroverktøy i eksplosjonsfarlige omgivelser, for eksempel der det befinner seg brennbare væsker, gass eller støv.** Elektrisk verktøy skaper gnister som kan antenne støv eller gasser.
- Hold barn og andre personer unna når du bruker et elektroverktøy.** Distraksjoner kan føre til at du mister kontrollen.

2. Elektrisk sikkerhet

- Støpselet til elektroverktøy må passe til stikkkontakten. Aldri modifier støpselet på noen måte. Ikke bruk adapterstøpsler til jordede elektriske verktøy.** Umodifiserte støpsler og stikkontakter som passer vil redusere risikoen for elektrisk sjokk.
- Unngå kroppskontakt med jordede overflater som rør, radiatorer, komfyrer og kjøleskap.** Det er økt risiko for elektrisk støt dersom kroppen din er jordet.
- Ikke utsett elektroverktøy for regn eller fuktighet.** Dersom det kommer vann inn i et elektrisk verktøy vil det øke risikoen for elektrisk sjokk.
- Unngå uforvarslig behandling av ledningen. Aldri bruk ledningen til å bære, trekke eller dra ut støpselet til det elektriske verktøyet. Hold ledningen borte fra varme, olje, skarpe kanter eller bevegelige deler.** Skadede eller innviklede ledninger øker risikoen for elektrisk sjokk.
- Når du bruker et elektroverktøy utendørs, må du bruke en skjøteledning som er egnet til utendørs bruk.**

Bruk av en skjøteledning beregnet for utendørs bruk reduserer risikoen for elektrisk støt.

- Hvis du ikke kan unngå å bruke elektroverktøy på et fuktig sted, må du bruke en strømforsyning som er beskyttet med jordfeilbryter.** Bruk av jordfeilbryter (RCD) reduserer risikoen for elektrisk sjokk.

3. Personikkerhet

- Vær oppmerksom, pass på hva du gjør, og vis fornøft når du arbeider med et elektroverktøy. Ikke bruk et elektrisk verktøy dersom du er trøtt eller er påvirket av medikamenter, narkotika eller alkohol.** Ett øyeblikks uoppmerksomhet under bruk av elektriske verktøy kan føre til alvorlig personskade.
- Bruk personlig verneutstyr. Bruk alltid vernebriller.** Verneutstyr slik som støvmaske, skliskre vernesko, hjelm, eller hørselsvern brukt under passende forhold vil redusere personskader.
- Forhindre utilsiktet start. Kontroller at bryteren står i posisjon "av" før du kobler til strømkilden og/eller batteripakken, og før du tar opp eller bærer verktøyet.** Å bære elektriske verktøy med fingeren på bryteren eller å sette inn støpselet mens elektriske verktøy har bryteren på øker faren for ulykker.
- Fjern eventuelt innstillingsverktøy eller skruverktøy før du slår på elektroverktøyet.** Et skruverktøy eller en nøkkel som fortsatt er festet til en roterende del av elektroverktøyet, kan føre til personskade.
- Ikke strekk deg for langt. Ha godt fotfeste og stå støtt hele tiden.** Dette fører til at du har bedre kontroll over det elektriske verktøyet ved uventede situasjoner.
- Bruk egnede klær. Ikke ha på deg løstsittende klær eller smykker. Hold hår, antrekk og hansker borte fra bevegelige deler.** Løstsittende klær, smykker og langt hår kan bli fanget opp av bevegelige deler.
- Hvis det kan monteres støvavsug- og oppsamlingsinnretninger, må du forvise deg om at disse er tilkoblet og brukes på riktig måte.** Bruk av støvoppsamlere kan redusere støvrelaterte farer.

4. Bruk og behandling av elektroverktøy

- Ikke bruk makt på elektroverktøyet. Bruk det elektriske verktøyet som situasjonen krever.** Det riktige elektriske verktøyet vil gjøre jobben bedre og tryggere ved den hastigheten det ble konstruert for.
- Ikke bruk elektroverktøyet hvis du ikke kan slå det på og av med bryteren.** Ethvert elektrisk verktøy som ikke kan kontrolleres med bryteren er farlig og må repareres.
- Trekk støpselet ut av stikkkontakten og/eller koble fra batteripakken på elektroverktøyet før du utfører innstillinger, bytter tilbehør eller legger elektroverktøyet bort.**

Slike preventive sikkerhetsforanstaltninger reduserer risikoen for å starte det elektriske verktøyet ved et uhell.

- d. **Elektroverktøy som ikke er i bruk, må oppbevares utilgjengelig for barn. Ikke la verktøyet bli brukt av personer som ikke er fortrolige med det, eller som ikke kjenner disse instruksjonene.** Elektriske verktøy er farlige i hendene på utrenede brukere.
 - e. **Sørg for vedlikehold av elektroverktøy. Undersøk om bevegelige deler er feiljustert eller blokkert, om deler er skadet, og om det er andre forhold som kan påvirke elektroverktøyet funksjon. Dersom det er skadet, få verktøyet reparert før neste bruk.** Mange ulykker forårsakes av dårlig vedlikeholdte verktøy.
 - f. **Hold skjæreverktøy skarpe og rene.** Godt vedlikeholdte skjæreverktøy med skarpe skjærekanter setter seg mindre sannsynlig fast og er lettere å kontrollere.
 - g. **Bruk elektroverktøy, tilbehør, bor osv. i henhold til disse instruksjonene. Ta hensyn til arbeidsforholdene og arbeidet som skal utføres.** Bruk av det elektriske verktøyet for oppgaver som er forskjellige fra de som er tiltenkt kan føre til en farlig situasjon.
5. **Bruk og stell av batteriverktøy**
 - a. **Ladningen skal bare skje med den laderen som produsenten har spesifisert.** En lader som passer for en type batteripakke kan føre til risiko for brann dersom den brukes på en annen batteripakke.
 - b. **Bruk elektroverktøy bare sammen med spesifikt angitte batteripakker.** Bruk av andre batteripakker kan føre til risiko for personskade og brann.
 - c. **Når batteripakken ikke er i bruk, må du oppbevare den atskilt fra andre metallgjenstander som binders, mynter, nøkler, spiker, skruer eller andre små metallgjenstander som kan opprette en forbindelse fra en terminal til en annen.** Kortslutning av batteripolene mot hverandre kan føre til brannskader eller brann.
 - d. **Ved feilaktig bruk kan det komme væske ut av batteriet, unngå kontakt med den. Dersom du kommer i kontakt med den, skyll av med vann. Dersom du får væsken i øynene, søk legehjelp.** Væske som kommer ut av batteriet kan føre til irritasjon eller brannskader.

6. Service

- a. **Elektroverktøy skal repareres av kvalifisert personell og bare med originale reservedeler.** Dette vil sikre at verktøyet sikkerhet blir ivaretatt.

Ytterligere sikkerhetsadvarsler for elektroverktøy



Advarsel! Ytterligere sikkerhetsadvarsler for batteridrevne driller og skrutrekker

- ◆ **Bruk hjelpemåttak som følger ned verktøyet.** Å miste kontroll kan forårsake personskade.
- ◆ **Hold elektroverktøyet i de isolerte håndtakene når du utfører et arbeid der skjæretilbehøret kan komme i kontakt med skjulte ledninger.** Kapping av en strømførende ledning kan føre til at eksponerte metalldeleer på elektroverktøyet blir strømførende, og kan gi operatøren støt.
- ◆ **Hold det elektriske verktøyet kun i isolerte gripeoverflater når du utfører operasjoner hvor skruen kan komme i kontakt med skjulte ledninger.** Skruer som kommer i kontakt med en strømførende ledning kan føre til at eksponerte metalldeleer på elektroverktøyet blir strømførende, og kan gi brukeren støt.
- ◆ **Bruk klemmer eller en annen praktisk måte å feste og støtte arbeidsstykket på en stabil plattform.** Å holde arbeidsstykket i hendene eller mot kroppen er ustabil og kan føre til at du mister kontroll.
- ◆ Før du borer i vegger, gulv eller tak, må du kontrollere plasseringen av kabler og rør.
- ◆ Unngå å komme i berøring med spissen på et bor rett etter boring, da den kan være varm.
- ◆ Bruksområdet er beskrevet i denne bruksanvisning. Hvis du bruker annet tilbehør, kobler til annet utstyr eller bruker dette produktet til andre oppgaver enn det som er anbefalt i denne håndboken, kan det medføre fare for personskader og/eller skade på eiendom.

Andre personers sikkerhet

- ◆ Det er ikke meningen at dette verktøyet skal brukes av personer (inkludert barn) med reduserte fysiske, sanselige eller mentale evner, eller personer som mangler erfaring og kunnskap, med mindre de har fått oppløring eller instruksjoner for bruken av verktøyet fra en person som er ansvarlig for deres sikkerhet.
- ◆ Barn må holdes under oppsyn, sørg for at de ikke leker med apparatet.

Restrisikoer

Når verktøyet brukes, kan det oppstå ytterligere risikoer som kanskje ikke er beskrevet i de medfølgende sikkerhetsadvarslene. Disse risikoene kan bli forårsaket av feil bruk, langvarig bruk osv.

Selv om de relevante sikkerhetsbestemmelsene blir fulgt, og sikkerhetstiltakene blir gjennomført, kan visse gjenværende risikoer ikke unngås. Disse inkluderer:

- ◆ Personskader som forårsakes av berøring av en roterende/bevegelig del.
- ◆ Personskader som oppstår ved skifte av deler, blader eller tilbehør.
- ◆ Personskader som skyldes for lang tids bruk av verktøyet. Når du bruker et verktøy i lange perioder, må du sørge for å ta regelmessige pauser.

- ◆ Hørselskader.
- ◆ Helsefarer forårsaket av innånding av støv som utvikler seg når du bruker verktøyet (eksempel: arbeid med tre, spesielt eik, bøk og MDF.)

Vibrasjon

Vibrasjonsemisjonsverdien som er angitt under tekniske data og samsvarserklæring, er blitt målt i henhold til en standard testmetode som er angitt i EN 60745, og kan brukes til å sammenligne et verktøy med et annet. Den oppgitte vibrasjonsemisjonsverdien kan også brukes til en foreløpig vurdering av eksponering.

Advarsel! Vibrasjonsemisjonsverdien under faktisk bruk av elektroverktøyet kan avvike fra den oppgitte verdien avhengig av måten verktøyet blir brukt på. Vibrasjonsnivået kan øke over nivået som er oppgitt.

Når det vurderes vibrasjonseksponering for å avgjøre hvilke sikkerhetstiltak som kreves ifølge 2002/44/EF, for å beskytte personer som bruker elektroverktøy regelmessig til arbeidsformål, skal det, når vibrasjonseksponeringen anslås, tas hensyn til de faktiske bruksforholdene og måten verktøyet blir brukt på. Dette inkluderer å ta hensyn til alle deler av brukssyklusen, for eksempel når verktøyet er avslått, når det går på tomgang og når utløseren er trykket inn.

Etiketter på verktøyet

Følgende advarselssymboler vises på verktøyet sammen med datokoden:



Advarsel! Brukeren må lese håndboken for å redusere risikoen for personskade.



Bær høreværn med slagboremaskiner. Udsættelse for støj kan forårsage høretab.

Ytterligere sikkerhetsinstruksjoner for batterier og ladere (følger ikke med verktøyet)

Batterier

- ◆ Forsøk aldri å åpne av noen årsak.
- ◆ Ikke utsett batteriene for vann.
- ◆ Ikke oppbevar det på steder hvor temperaturen kan komme over 40 °C.
- ◆ Lad bare ved temperaturer mellom 10 og 40 °C.
- ◆ Bruk bare laderen som følger med apparatet.
- ◆ Følg instruksene som finnes i avsnittet "Miljøvern" når du skal kaste batterier.



Ikke forsøk å lade opp skadede batterier.

Ladere

- ◆ Stanley Fat Max-laderen skal bare brukes til å lade batteriet i apparatet som laderen kom sammen med. Andre batterier kan sprekke og føre til personskade og materiell skade.
- ◆ Prøv aldri å lade ikke-oppladbare batterier.
- ◆ Skift ut defekte ledninger umiddelbart.
- ◆ Ikke utsett laderen for vann.
- ◆ Ikke åpne laderen.
- ◆ Ikke stikk gjenstander eller fingre inn i laderen.



Adapteren er bare beregnet for innendørs bruk.



Les denne håndboken før bruk.

Elektrisk sikkerhet



Denne laderen er dobbeltisolert. Jording er derfor ikke nødvendig. Kontroller alltid at nettspenningen er i overensstemmelse med spenningen på typeskiltet. Ikke skift ut laderen med et vanlig netstøpsel.

- ◆ Hvis strømledningen blir skadet, må den skiftes av produsenten eller et autorisert Stanley Fat Max-servicesenter så man unngår fare.

Funksjoner

Dette apparatet har noen av eller alle funksjonene nedenfor.

1. Utløserbryter
2. Fremover/bakover knapp
3. Momentjusteringsmansjett
4. Gir med to områder
5. Nøkkelløs chuck
6. Batteri
7. Batteriutløserknapper
8. LED-arbeidslampe
9. Bitsholder

Bruk

Advarsel! La verktøyet arbeide i sin egen hastighet. Må ikke overbelastes.

Lading av batteriet

Batteriet må lades før første gang det brukes, og hver gang det ikke lenger gir nok strøm til oppgaver som tidligere ble utført uten problemer. Batteriet kan bli varmt under lading. Dette er normalt og innebærer ikke feil.

Advarsel! Ikke lad batteriet ved omgivelsestemperaturer under 10 °C eller over 40 °C. Anbefalt ladetemperatur er ca. 24 °C.

Merk: Laderen vil ikke lade et batteri hvis celledemperaturen er under ca. 10 °C eller over 40 °C.

Du bør la batteriet stå i laderen. Laderen begynner å lade automatisk når celledemperaturen blir høyere eller lavere.

- ◆ Plugg inn laderen i en passende stikkontakt før du setter inn batteripakken.
- ◆ Sett batteripakken inn i laderen.



Det grønne LED-lyset blinker for å varsle om at batteriet lades.



Når oppladningen er færdig, vil det blive angivet af den grønne LED-lampe, som lyser konstant. Pakken er fuldt opladet og kan nu anvendes eller kan efterlades i opladeren.

Advarsel! Lad opp utladete batterier så fort som mulig etter bruk, ellers vil batteriets levetid forringes.

Laderdiagnose

Denne laderen er designet for å oppdage visse problemer som kan oppstå med batteripakken eller strømkilden. Problemer indikeres av et LED-lys som blinker i ulike mønstre.

Dårlig batteri



Laderen kan oppdage et svakt eller ødelagt batteri. LED-lyset blinker i mønsteret som er indikert på merkelappen. Hvis du ser dette blinkemønsteret for dårlig batteri, skal du ikke fortsette å lade batteriet. Returner det til et service-senter eller et oppsamlingssted for resirkulering

Ventetid for varm/kald pakke



Dersom laderen detekterer et batteri som er for varmt eller for kaldt, vil den automatisk starte en "varm/kald pakke forsøkelse", og venter med å lade til batteriet har passende temperatur. Etter at dette har skjedd vil laderen automatisk skifte til pakkeladmodus. Denne funksjonen sikrer maksimal levetid på batteriet. Det røde LED-lyset blinker i mønsteret indikert på merkelappen når varm/kald pakkeforsøkelse er oppdaget.

Problem strømtilførsel



Når laderen brukes med mobilt strømtilførsel slik som generatorer eller kilder som konverterer DC til AC, kan laderen stoppe opp midlertidig. LED-lyset blinker i mønsteret som er indikert på merkelappen. Dette indikerer at strømtilførselen ikke er tilgjengelig.

La batteriet være i laderen

Laderen og batteripakken kan forbli tilkoblet med lysende LED-lys i ubegrenset tid. Laderen holder batteripakken klar og fulladet.

Viktige merknader om laderen

- ◆ Lang levetid og best ytelse oppnås dersom batteripakken lades med lufttemperatur mellom 65°F og 75°F (18° - 24°C). IKKE lade batteripakken med lufttemperatur under +4.5 °C (+4,5°C), eller over +40.5 °C (+40,5°C). Dette er viktig og vil forhindre alvorlig skade på batteripakken.
- ◆ laderen og batteripakken kan være varme å ta på under lading. Dette er normalt og er ikke et tegn på et problem. For å muliggjøre bedre kjøling av batteripakken etter bruk, unngå å oppbevare laderen i varme omgivelser slik som et metallskur eller en uisolert trailer.
- ◆ Hvis batteripakken ikke lader skikkelig:
 - ◆ Kontroller strømmen i kontakten ved å sette inn en lampe eller et annet apparat.
 - ◆ Kontroller at stikkkontakten er koblet til en lysbryter som slår av strømmen når du slår av lyset.
 - ◆ Flytt laderen og batteripakken til et sted hvor omgivelsestemperaturen er omtrent 65°F - 75°F (18° - 24°C). d. Hvis ladeproblemene vedvarer, ta verktøyet, batteripakken og laderen til ditt lokale Stanley Fat Max servicesenter.
- ◆ Denne batteripakken med lang levetid må lades opp når den slutter å gi nok strøm til jobber som ble utført lett tidligere.
- ◆ I så fall, IKKE fortsett å bruke verktøyet. Følg ladeprosedyren.

- ◆ Du kan også lade opp en halvutladet pakke når som helst uten at det har noen effekt på batteripakken.

Sette inn og ta av batteripakke på verktøyet

Advarsel! Pass på at låseknappen er i bruk for å hindre utilsikket aktivering av bryteren før du tar ut eller setter inn et batteri.

Installere batteripakken

- ◆ Sett batteriet inn i batterihuset til det er hekt inne og du hører et klikk som vist på figur L. Forsikre deg om at batteripakken sitter helt inne og er låst i posisjon.

Ta ut batteripakken

- ◆ Trykk på batteriutløserknappen (7) som vist på figur B og dra batteripakken ut av verktøyet.

Avtrekkerbryter og forover/bakover knapp - figur C

- ◆ Drillen slås PÅ og AV ved å dra og slippe avtrekkeren (1) som vist i figur C. Desto mer du trykker avtrekkeren, desto raskere går drillen.
- ◆ En kontrollknapp (2) for fremover/bakover bestemmer retningen på verktøyet og tjener også som låseknapp.
- ◆ For å velge rotasjon fremover, slipp avtrekksbryteren og trykk fremover/bakover kontrollknappen på høyresiden av verktøyet.
- ◆ For å velge bakover, trykk fremover/bakover kontrollknappen på venstre siden av verktøyet.
- ◆ Når kontrollknappen står i midten er verktøyet låst. Når du skifter kontrollknappens posisjon, påse at avtrekksbryteren er sluppet.

Justering av dreiemomentkontrollen - figur D

Dette verktøyet er utstyrt med en mansjett (3) for å velge bruksmodus og stille inn moment for å skru til skruer. Store skruer og arbeidsstykker i harde materialer krever høyere moment er små skruer og arbeidsstykker med bløte materialer.

- ◆ For boring i tre, metall og plast stilles mansjetten i stillingen med boresymbolet.
- ◆ Ved bruk som skrutrekker settes mansjetten i ønsket stilling. Hvis du ikke vet hva som er riktig innstilling ennå, går du frem slik:
 - ◆ Sett mansjetten i stillingen for laveste moment.
 - ◆ Skru til den første skruen.
 - ◆ Hvis koblingen lager en klikkelyd før du oppnår ønsket resultat, øker du innstillingen av mansjetten og fortsetter å stramme skruen.
 - ◆ Gjenta til du når korrekt innstilling.
 - ◆ Bruk denne innstillingen for de gjenværende skruene.

To-område bryter - figur E

To-område funksjonen gjør det mulig å skifte gir og gir dermed større fleksibilitet.

- ◆ For å velge lav hastighet, høyt dreiemoment (posisjon 1), slå av verktøyet og la det stoppe. Skyv girskifterknappen (4) bort fra chucken.
- ◆ Når du skal velge høy hastighet og lavt dreiemoment (posisjon 2), skruer du verktøyet av og venter til det stopper. Skyv girskifterknappen mot chucken.

Merk: Ikke skift gir når verktøyet er i gang. Dersom du har problemer med å skifte gir, pass på at to-trinns girskifter er skjøvet enten helt forover eller helt bakover.

nøkkelløs chuck - figur F

Advarsel! Pass på at verktøyet er låst for å hindre utilsikket aktivering av bryteren før du setter på eller tar av tilbehør. Slik setter du inn et bor eller annet tilbehør:

- ◆ Hold i chucken (5), og dreid den mot klokken sett fra enden av chucken.
- ◆ Sett bor eller annet tilbehør helt inn i borelåsen, og stram godt ved å vri borelåsen med klokken.

Advarsel! Ikke forsøk å stramme drill-bits (eller annet tilbehør) ved å gripe rundt fronten av chucken og deretter slå på verktøyet. Det kan oppstå skade på borelåsen og personskaade når tilbehør skiftes.

Skruing

- ◆ Når du setter inn skruer, skal knappen for fremover/bakover være skjøvet til venstre.
- ◆ Bruk reversknappen (knappen trykkes til høyre) for å ta ut skruer.

Merk: Når du skifter fra forover til revers, slipp alltid avtrekkeren først.

Boring

- ◆ Bruk kun skarpe drillbits.
- ◆ Støtt opp og fest arbeidsstykket godt, som angitt i sikkerhetsanvisningene.
- ◆ Bruk skikkelig og riktig verneutstyr som beskrevet i sikkerhetsinstruksjonen.
- ◆ Sikre og vedlikehold arbeidsområdet som beskrevet i sikkerhetsinstruksjonen.
- ◆ Kjør maskinen svært langsomt til hullet er dypt nok til å holde drillbiten fra å skli ut.
- ◆ Trykk i rett linje med boret. Bruk nok trykk til at boret biter, men ikke så mye at motoren stanser eller at boret skifter retning.
- ◆ Hold boremaskinen godt med begge hender, en hånd på håndtaket og den andre rundt bunnen rundt batteriet og ekstrahåndtaket, dersom montert.
- ◆ **IKKE KLIKK MED BRYTEREN PÅ ET FASTKJØRT VERKTØY PÅ OG AV FOR Å FORSØKE Å STARTE DET. BOREMASKINEN KAN BLI SKADET.**
- ◆ Reduser blokkering til et minimum ved gjennombrudd ved å redusere trykket og bore langsomt gjennom den siste delen av hullet.

- ◆ Hold motoren i gang mens du trekker boret ut av det borede hullet. Dette vil bidra til å redusere fastkjøring.
- ◆ Forsikre deg om at bryteren slår drillen på og av.

Boring i tre

Hull i tre kan bores med de samme spiralborene som brukes til metall, eller med flate bor. Disse borene bør være skarpe og bør trekkes ut ofte under boringen så spon kan fjernes fra furene i boret.

Bore i metall

Bruk et en skjærevæske for smøring ved boring i metall. Unntak er støpejern og messing som bør bores tørt. Smøremidlene som virker best, er svovelholdig skjæreløje eller fettolje.

Bore i mur

For at bore i murværk skal du indstille kraven (3) til hammerborefunksjonen ved at flytte symbolet med mærket. Bruk murbor med karbidtopp. Se kapittel om boring. Bruk jevn kraft på drillen, men ikke så mye at du knekker det sprø materialet. En myk, jevn strøm av støv tyder på korrekt borehastighet.

LED-arbeidslampe

Når boremaskinen startes ved å trykke på avtrekkeren (1), vil den LED arbeidslampen (8) automatisk tennes og lyse opp arbeidsområdet.

Merk: Arbeidslyset er for å belyse den nærmeste arbeidsflaten, og er ikke ment å brukes som lykt.

Lagring av bits

På bunnen av verktøyet er det et spor (9) for lagring av bits.

Feilsøking

Problem	Mulig årsak	Mulig løsning
Enheten starter ikke.	Batteripakken er ikke satt inn riktig. Batteripakken er ikke ladet.	Kontroller innsetning av batteripakken. Kontroller kravene til ladning av batteripakken
Enheten starter umiddelbart etter at batteriet er satt inn	Bryteren er satt i "på" posisjon.	Bryteren må være satt til "av" for å hindre at verktøyet starter straks når batteriet settes inn.

Problem	Mulig årsak	Mulig løsning
Batteripakken blir ikke ladet.	Batteripakken er ikke satt inn i laderen. Laderen er ikke satt i stikkkontakten. Omgivelsestemperaturen er for varm eller kald.	Sett batteripakken inn i laderen til LED-lyset lyser. Sett laderen i en stikkontakt som virker. Flytt laderen og batteriet til et sted med lufttemperatur over 40 grader F (45°C) eller under 105 grader F (+40,5°C)
Enheten stopper brått.	Batteripakken har nådd sin maksimale temperaturgrense. Ikke oppladet. (For å få lengst mulig levetid på batteriet, er batteripakken designet for å slå seg av straks den er utladet)	La batteripakken kjøle seg ned. Sett i laderen og la den lade seg opp.

Vedlikehold

Stanley Fat Max-verktøyet ditt er konstruert for å være i drift over lengre tid med et minimum av vedlikehold. For at den skal fungere tilfredsstillende over tid, er det viktig å sørge for riktig stell av verktøyet og regelmessig renhold.

Laderen krever ikke annet vedlikehold enn regelmessig rengjøring.

Advarsel! Før du utfører vedlikehold på verktøyet, må du fjerne batteriet fra verktøyet. Trekk ut laderen fra stikkkontakten før du rengjør den.

- ◆ Rengjør ventilasjonsåpningene i verktøyet og laderen jevnlig med en myk børste eller tørr klut.
- ◆ Rengjør motorhuset regelmessig med en fuktig klut. Ikke bruk slipende eller løsemiddelbaserte rengjøringsmidler.
- ◆ Åpne chucken regelmessig, og bank på den for å fjerne eventuelt støv fra innsiden.

Miljøvern



Særskilt bortskaffelse. Produkter og batterier mærket med dette symbol må ikke bortskaffes sammen med normalt husholdningsaffald.

En liste over autoriserte serviceverksteder for Stanley Fat Max og alle opplysninger om ettersalgsservice og kontakter er også tilgjengelig på Internett på: www.2helpU.com

Tekniske data

		FMC626
Spenning	V_{DC}	18V
Ubelastet hastighed	Min^{-1}	0-350/0-1500
Maks. dreiemoment	Nm	47
Chuck kapacitet	mm	13
Maks. borekapacitet		
Stål/tre/murværk	mm	13/35/13
Vekt	kg	1,2

Lader		905998**	906086**	90636454
Inngangsspenning	V_{AC}	230	230	230
Utgangsspenning	V_{DC}	18	18	18
Strøm	mA	1000	2000	1000
Omtrentlig ladetid	Mins	80-240	40-120	80-240

Batteri		FMC685L	FMC687L	FMC684L	FMC688L
Spenning	V_{AC}	18	18	18	18
Kapasitet	Ah	1.5	2.0	1.3	4.0
Type		Li-Ion	Li-Ion	Li-Ion	Li-Ion

Lydtrykknivå i henhold til EN 60745:
Lydtrykk (L_{pA}) 87,0 dB(A), usikkerhet (K) 3 dB(A)
Lydeffekt (L_{WA}) 98,0 dB(A), usikkerhet (K) 3 dB(A)

Totale vibrationsverdier (vektorsum fra tre retninger) bestemt i samsvar med EN 60745:
Boring i metall ($a_{h,D}$) <2,5 m/s ² , usikkerhet (K) 1,5 m/s ²
Slagboring ($a_{h,D}$) 14,9 m/s ² , usikkerhet (K) 1,5 m/s ²
Skruing uten slag (a_{h}) <2,5 m/s ² , usikkerhet (K) 1,5 m/s ²

EU-samsvarserklæring

MASKINERIDIREKTIV



FMC626 – Drill, skrutrekker

Stanley Europe erklærer at disse produktene som er beskrevet under "Tekniske data", er i samsvar med:

2006/42/EU, EN60745-1:2009+A11:2010 EN60745-2-1:2010
EN60745-2-2:2010

Disse produktene er også i samsvar med direktivet
2004/108/EU
(til 19/04/2016)
2014/30/EU (from 20/04/2016)
og 2011/65/EU.

Hvis du ønsker mer informasjon, kontakt Stanley Fat Max på følgende adresse, eller se på baksiden av bruksanvisningen.

Undertegnede er ansvarlig for sammenstillingen av den tekniske filen og fremsetter denne erklæringen på vegne av

Stanley Fat Max.

R. Laverick

Engineering Manager

Stanley Fat Max Europe, Egide Walschaertsstraat14-18,
2800 Mechelen, Belgium
19/12/2017

Garanti

Stanley Fat Max er sikker på kvaliteten af sine produkter og giver forbrugerne en garanti på 12 måneder fra købsdatoen. Garantien er et tillæg til forbrugerens lovsikrede rettigheder og påvirker ikke disse. Garantien er gyldig inden for medlemsstaterne af Den Europæiske Union og Det Europæiske Frihandelsområde.

Når du gør krav på garantien, skal kravet være i overensstemmelse med Stanley Fat Max vilkår og betingelser, og du skal indsende dokumentation for købet til sælgeren eller til en autoriseret reparatør. Vilkår og betingelser for Stanley Fat Max 1 års garanti og placeringen af dit nærmeste autoriserede serviceværksted kan fås på internettet på www.2helpU.com, eller ved at kontakte dit lokale Stanley Fat Max kontor på den adresse, der er angivet i denne vejledning.

Besøg venligst vores websted www.blackanddecker.co.uk for at registrere dit nye Stanley Fat Max produkt og modtage opdateringer om nye produkter og specielle tilbud.

Käyttötarkoitukset

Stanley Fat Max FMC626 -pora/ruuvinväännin on tarkoitettu ruuvien kiinnittämiseen sekä puun, metallin, muovin ja pehmeän betonin poraamiseen. Laite on tarkoitettu sekä ammatti- että yksityiskäyttöön.

Turvallisuusohjeet

Sähkötyökalujen yleiset turvavaroitukset



Varoitus! Lue kaikki turvallisuusvaroitukset ja ohjeet. Alla olevien varoitusten ja ohjeiden noudattamisen laiminlyönti saattaa johtaa sähköiskuun, tulipaloon ja/tai vakavaan loukkaantumiseen.

Säästä kaikki varoitukset ja ohjeet tulevaa käyttöä varten.

Ohjeissa käytetty käsite "sähkötyökalu" tarkoittaa verkkokäyttöisiä sähkötyökaluja (verkkojohdolla varustettuja) ja akkukäyttöisiä sähkötyökaluja (ilman verkkojohtoa).

1. Työalueen turvallisuus

- Pidä työalue puhtaana ja varmista sen hyvä valaistus.** Onnettomuuksia sattuu herkemmin epäsiistissä tai huonosti valaistussa ympäristössä.
- Älä käytä sähkötyökalua räjähdysalttiissa ympäristössä, jossa on syttyvää nestettä, kaasua tai pölyä.** Sähkötyökalujen aiheuttamat kipinät voivat sytyttää pölyn tai kaasut.
- Pidä lapset ja sivulliset loitolla sähkötyökalua käyttäessäsi.** Keskeyttämiskyvyn herpaantuminen voi aiheuttaa hallinnan menettämisen.

2. Sähköturvallisuus

- Sähkötyökalun pistokkeen on sovitava pistorasiaan. Älä koskaan tee pistokkeeseen mitään muutoksia. Älä yhdistä maadoitettua sähkötyökalua jatkojohtoon.** Sähköiskun vaara vähenee, jos pistokkeisiin ei tehdä muutoksia ja ne yhdistetään vain niille tarkoitettuihin pistorasioihin.
- Vältä koskettamasta maadoitettuja pintoja, kuten putkia, lämpöpattereita, liesiä tai jääkaappeja.** Voit saada sähköiskun, jos kehosi on maadoitettu.
- Älä altista sähkötyökalua sateelle tai kosteudelle.** Sähkötyökaluun menevä vesi lisää sähköiskun vaaraa.
- Älä käsittele virtajohtoa kovakouraisesti. Älä kannata työkaluja sähköjohdosta tai vedä pistoketta pistorasiasta sähköjohdon avulla. Pidä sähköjohto kaukana kuumuudesta, öljystä, terävistä reunoista tai liikkuvista osista.** Vaurioituneet tai sotkeutuneet johdot lisäävät sähköiskun vaaraa.
- Käyttäessäsi sähkötyökalua ulkona käytä ainoastaan ulkokäyttöön soveltuvaa jatkojohtoa.**

Ulkokäyttöön tarkoitettujen sähköjohdon käyttäminen vähentää sähköiskun vaaraa.

- Jos sähkötyökalua on välttämättä käytettävä kosteassa paikassa, käytä vikavirtasuojalla (RCD) suojattua virtalähdettä.** Tämä vähentää sähköiskun vaaraa.
- #### 3. Henkilöturvallisuus
- Ole valpas, keskity työhön ja noudata tervettä järkeä sähkötyökalun käytössä. Älä käytä tätä työkalua ollessasi väsynyt tai alkoholin, huumeiden tai lääkkeiden vaikutuksen alaisena.** Keskeyttämisen herpaantuminen hetkeksikin sähkötyökalua käytettäessä voi aiheuttaa vakavan henkilövahingon.
 - Käytä henkilökohtaisia suojavarusteita. Käytä aina suojalaseja.** Hengityssuojaimen, liukumattomien turvajalkineiden, kypärän ja kuulosuojaimen käyttäminen vähentää henkilövahinkojen vaaraa.
 - Vältä tahatonta käynnistämistä. Varmista, että kytkin on OFF-asennossa, ennen kuin liität laitteen virtalähteeseen ja/tai akkuun, nosta laitteen tai kannat sitä.** Sähkötyökalun kantaminen sormi virtakytkimellä lisää onnettomuusvaaraa.
 - Irrota mahdollinen säätö- tai kiintoavain ennen kuin käynnistät sähkötyökalun.** Sähkötyökalun pyöriivään osaan kiinni jäänyt avain voi johtaa loukkaantumiseen.
 - Älä kurkotta.** Huolehdi siitä, että sinulla on koko ajan tukeva jalansija ja hyvä tasapaino. Näin voit hallita sähkötyökalua paremmin odottamattomissa tilanteissa.
 - Käytä tarkoitukseen soveltuvia vaatteita. Älä käytä löysä vaatteita tai koruja. Pidä hiukset, vaatteet ja kädet loitolla liikkuvista osista.** Löysät vaatteet, korut tai pitkät hiukset voivat tarttua liikkuviin osiin.
 - Jos työkalun voi liittää pölynimuriin, tarkista, että liitos on tehty asianmukaisesti ja että laitteita käytetään oikealla tavalla.** Pölyn ottaminen talteen voi vähentää pölyn aiheuttamia vaaroja.
- #### 4. Sähkötyökalujen käyttö ja hoito
- Älä ylikuormita sähkötyökalua.** Valitse käyttötarkoituksen kannalta oikea sähkötyökalu. Sähkötyökalu toimii paremmin ja turvallisemmin, kun sitä käytetään sille suunniteltuun käyttötarkoitukseen.
 - Älä käytä sähkötyökalua, jota ei voida käynnistää ja pysäyttää virtakytkimestä.** Jos sähkötyökalua ei voi hallita kytkimen avulla, se on vaarallinen ja se on korjattava.
 - Irrota pistotulppa pistorasiasta ja/tai akku laitteesta ennen kuin suoritat säätöjä, vaihdat tarvikkeita tai siirrä sähkötyökalun varastoitavaksi.** Näin voit vähentää vahingossa käynnistymisen aiheuttaman henkilövahingon vaaraa.

- d. Säilytä sähkötyökalut poissa lasten ulottuvilta, kun niitä ei käytetä. Älä anna sähkötyökalua sellaisen henkilön käyttöön, joka ei tunne sitä tai joka ei ole tutustunut tähän käyttöohjeeseen. Sähkötyökalut ovat vaarallisia kouluttamattomien käyttäjien käsissä.
- e. Hoida sähkötyökalusi huolella. Tarkista, että liikkuvat osat toimivat moitteettomasti ja etteivät ne ole puristuksessa. Tarkista myös, ettei työkalussa ei ole murtuneita tai vahingoittuneita osia, jotka saattaisivat vaikuttaa haitallisesti sen toimintaan. Jos havaitset vaurioita, korjauta sähkötyökalu ennen niiden käyttämistä. Huonosti kunnossapidetyt sähkötyökalut aiheuttavat onnettomuuksia.
- f. Pidä leikkausterät terävinä ja puhtaina. Kunnossa pidettyjen leikkaavien teräviä reunoja sisältävien työkalut todennäköisyys jumiutua vähenee, ja niitä on helpompi hallita.
- g. Käytä sähkötyökaluja, tarvikkeita, vaihtoteriä yms. näiden ohjeiden mukaisesti. Ota tällöin huomioon työolosuhteet ja suoritettava toimenpide. Jos sähkötyökalua käytetään näiden ohjeiden vastaisesti, voi syntyä vaaratilanne.

5. Akkutyökalun käyttö ja huolto

- a. Lataa akku vain valmistajan määrittelemällä laturilla. Laturi, joka on sopiva yhden tyyppiselle akulle, voi aiheuttaa tulipalon vaaran, jos sitä käytetään toisen tyyppisellä akulla.
- b. Käytä sähkötyökalussa ainoastaan kyseiseen sähkötyökaluun tarkoitettua akkua. Muun tyyppisen akun käyttö saattaa johtaa loukkaantumiseen ja tulipaloon.
- c. Pidä irrallinen akku loitolla metalliesineistä, kuten paperiliittimistä, kolikoista, avaimista, nauloista, ruuveista tai muista pienistä metalliesineistä, jotka voivat aiheuttaa oikosulun akun navoissa. Kennon pinteiden oikosulku voi aiheuttaa palovammoja tai tulipalon.
- d. Väärin käytetystä akusta voi vuotaa nestettä. Älä kosketa sitä. Jos nesteen kanssa joutuu kosketuksiin, huuhtele vedellä. Jos nestettä joutuu silmiin, hakeudu lisäksi lääkärin hoitoon. Akusta roiskunut neste saattaa aiheuttaa ärsytystä tai palovammoja.

6. Huolto

- a. Korjauta sähkötyökalu koulutetulla ja ammattitaitoisella henkilöllä ja hyväksy korjauksiin vain alkuperäisiä varaosia. Tämä varmistaa sähkötyökalun turvallisuuden.

Sähkötyökalujen lisäturvavaroitukset

Varoitus! Porien/ruuvinvääntimien lisäturvavaroitukset.



- ◆ Käytä työkalun mukana toimitettuja apukahvoja. Hallinnan menetys voi aiheuttaa henkilövahingon.
- ◆ Pitele sähkötyökalua eristetyistä tartuntapinnoista, kun teet työtä, jossa leikkuuosaa voi joutua kosketuksiin piilossa olevien sähköjohtojen kanssa. Terien osuminen jännitteiseen johtoon tekee sen paljaista metalliosista jännitteisiä, joten käyttäjä voi saada sähköiskun.
- ◆ Pitele sähkötyökalua eristetyistä tartuntapinnoista, kun teet työtä, jossa kiinnitin voi joutua kosketuksiin piilossa olevien sähköjohtojen kanssa. Kiinnittimien osuminen jännitteiseen johtoon tekee sen paljaista metalliosista jännitteisiä, joten käyttäjä voi saada sähköiskun.
- ◆ Käytä puristimia tai muuta käytännöllistä tapaa kiinnittää ja tukea työkalulle tukevalle alustalle. Työn pitäminen käsin tai vartaloa vasten on epävakaa ja saattaa johtaa kontrollin menetykseen.
- ◆ Ennen kuin poraat seinää, lattiaa tai kattoja, tarkista sähköjohtojen ja putkien sijainti.
- ◆ Älä koske terään heti poraamisen jälkeen. Terä saattaa olla kuuma.
- ◆ Tarkoitettu käyttö on kuvattu tässä käyttöohjeessa. Käytä työkalua ainoastaan sellaiseen työhön, johon se on tarkoitettu, ja käytä vain tässä käyttöohjeessa suositeltuja tarvikkeita ja lisälaitteita. Ohjeesta poikkeava käyttö voi aiheuttaa henkilö- ja/tai omaisuusvahinkoja.

Muiden henkilöiden turvallisuus

- ◆ Tätä työkalua ei ole tarkoitettu sellaisten henkilöiden käyttöön, joilla on fyysisiä tai älyllisiä rajoitteita tai aistirajoitteita, eikä laitteen toimintaan perehtymättömien henkilöiden käyttöön (lapset mukaan luettuina), paitsi valvonnan alaisina, tai jos he ovat saaneet työkalun käyttöön liittyvää opastusta heidän turvallisuudestaan vastaavilta henkilöiltä.
- ◆ Lapsia tulee valvoa ja varmistaa, että he eivät leiki laitteella.

Jäännösriskit

Myös muut kuin turvavaroituksissa mainitut riskit ovat mahdollisia työkalua käytettäessä. Nämä riskit voivat liittyä muun muassa virheelliseen tai pitkäaikaiseen käyttöön. Tiettyjä jäännösriskejä ei voi välttää, vaikka noudatetaan kaikkia turvamääräyksiä ja käytät turvalaitteita. Nämä ovat:

- ◆ Pyörivien tai liikkuvien osien koskettamisen aiheuttamat vahingot.
- ◆ Osia, teriä tai lisävarusteita vaihdettaessa aiheutuneet vahingot.
- ◆ Työkalun pitkäaikaisen käytön aiheuttamat vahingot. Varmista, että pidät säännöllisesti taukoja työkalun pitkäaikaisen käytön aikana.
- ◆ Kuulon heikkeneminen.

- ◆ Työkalua käytettäessä (esimerkiksi puuta, erityisesti tammea, pyökkiä ja MDF-levyjä, käsiteltäessä) syntyyneen pölyn sisäänhengityksen aiheuttamat terveysriskit).

Tärinä

Teknisissä tiedoissa ja vaatimustenmukaisuusvakuutuksessa ilmoitettu tärinäpäästöarvo on mitattu EN 60745 -standardin testausmenetelmän mukaisesti, ja arvoa voi käyttää työkalujen keskinäiseen vertailuun. Ilmoitettua tärinäpäästöarvoa voi käyttää myös altistumisen alustavaan arviointiin.

Varoitus! Sähkötyökalun käytön aikana mitattu todellinen tärinäpäästöarvo voi poiketa ilmoitetusta tärinäpäästöarvosta työkalun käyttötavan mukaan. Tärinätasoa voi olla ilmoitettua tasoa suurempi.

Kun tärinälle altistumista arvioidaan sen määrittämiseksi, mitä direktiivin 2002/44/EY mukaisia turvatoimenpiteitä vaaditaan sähkötyökaluja säännöllisesti käyttävien henkilöiden suojelemiseksi, tärinälle altistumisen arvioinnissa on otettava huomioon todelliset käyttöolosuhteet ja työkalun käyttötavat. Todellisen käytön lisäksi on kiinnitettävä huomiota myös siihen, milloin työkalu on sammutettuna tai se käy tyhjäkäynnillä.

Työkalun tarrat

Työkaluun on merkitty päivämääräkoodi sekä seuraavat varoitusmerkinnot:



Varoitus! Käyttäjän on luettava käyttöohje vahinkojen välttämiseksi.



Kuulosuojaimia kanssa iskuporien. Altistuminen melulle saattaa vaurioittaa kuuloa.

Akkuja ja laturia koskevat lisäturvallisuusohjeet (ei toimiteta työkalun mukana)

Akut

- ◆ Älä koskaan yritä avata mistään syystä.
- ◆ Älä anna akun kastua.
- ◆ Älä säilytä paristoja tiloissa, joissa lämpötila voi nousta yli 40 °C:een.
- ◆ Lataa akku paikassa, jonka lämpötila on vähintään 10 °C ja enintään +40 °C.
- ◆ Lataa akku ainoastaan työkalun mukana toimitetulla laturilla.
- ◆ Noudata paristoja hävittäessäsi kohdassa ”Ympäristön-suojelu” annettuja ohjeita.



Älä koskaan yritä ladata viallisia akkuja.

Laturit

- ◆ Käytä Stanley Fat Max -laturia vain laitteen mukana toimitetun akun lataamiseen. Muut akut voivat räjähtää ja aiheuttaa henkilövahinkoja tai aineellisia vahinkoja.

- ◆ Älä koskaan yritä ladata paristoja, joita ei ole tarkoitettu ladattavaksi.
- ◆ Vaihda vialliset johdot välittömästi ehjiin.
- ◆ Suojaa laturi vedeltä.
- ◆ Älä avaa laturia.
- ◆ Älä työnä mitään laturin sisään.



Laturi on tarkoitettu ainoastaan sisäkäyttöön.



Lue käyttöohjeet huolellisesti ennen laitteen käyttöä.

Sähköturvallisuus



Laturi on kaksoiseristetty, joten erillistä maadoitusta ei tarvita. Tarkista aina, että verkkojännite vastaa arvokilvessä ilmoitettua jännitettä. Älä yritä vaihtaa laturiin tavallista verkkovirran pistoketta.

- ◆ Jos virtajohto vahingoittuu, sen vaihtaminen on turvallisuussyistä jätettävä valmistajan tai valtuutetun Stanley Fat Max -huoltoliikkeen tehtäväksi.

Yleiskuvaus

Tässä laitteessa on kaikki tai joitakin seuraavista ominaisuuksista.

1. Liipaisinkytkin
2. Suunnanvaihtopainike
3. Vääntömomentin säätörengas
4. Kaksiasentoinen nopeuskytkin
5. Pikaistukka
6. Akku
7. Akun vapautuspainike
8. LED-työvalo
9. Teräpidike

Käyttö

Varoitus! Anna työkalun käydä omaan tahtiinsa. Älä ylikuormita sitä.

Akun lataaminen

Lataa akku ennen ensimmäistä käyttökertaa ja aina, kun se ei enää tuota riittävästi virtaa toimintoihin, jotka aiemmin sujuivat helposti. Akku voi lämmetä ladattaessa. Tämä on normaalia, eikä se ole merkki mistään viasta.

Varoitus! Älä lataa akkuja alle 10 °C tai yli 40 °C asteen lämpötilassa. Suositeltava latauslämpötila on 24 °C.

Huomautus: Laturi ei lataa akkua, jos akun kennon lämpötila on alle 10 °C tai yli 40 °C.

Akku tulee kuitenkin jättää laturiin. Laturi aloittaa lataamisen automaattisesti, kun kennon lämpötila nousee tai laskee riittävästi.

- ◆ Yhdistä laturi sopivaan pistorasiaan ennen kuin laitat siihen akun.
- ◆ Aseta akku laturiin.



Vihreä LED-merkkivalo vilkkuu käynnissä olevan latauksen merkiksi.



Kun lataus on valmis, vihreä LED-valo jää palamaan jatkuvasti. Akku on tällöin täyteen ladattu, ja sitä voidaan käyttää heti tai sen voi jättää laturiin.

Varoitus! Lataa tyhjenneet akut mahdollisimman pian käytön jälkeen, muutoin akun käyttöikä voi lyhentyä.

Laturin vianmääritys

Tämä laturi on tarkoitettu havaitsemaan joitakin akkuun tai virtalähteeseen liittyviä ongelmia. Ongelmista ilmoittaa yksi eri tahtiin vilkkuva LED-merkkivalo.

Viallinen akku



Laturi voi havaita heikkokuntoisen tai vaurioituneen akun. Punainen LED-merkkivalo vilkkuu merkissä ilmoitetulla tavalla. Jos näet tämän heikosta akun kunnosta ilmoittavan vilkkumisen, lopeta akun lataus. Vie se huoltopalveluun tai kierrätyspisteeseen.

Akun kuuma-/kylmäviive



Kun laturi tunnistaa liian kuuman tai kylmän akun, se käynnistää automaattisesti akun kuuma-/kylmäviiveen, jolloin lataus käynnistyy vasta sitten, kun akku on saavuttanut oikean lämpötilan. Tämän jälkeen laturi kytkeytyy automaattisesti akun lataustilaan. Tämä toiminto takaa akun maksimaalisen käyttöiän. Punainen LED-merkkivalo vilkkuu merkissä ilmoitetulla tavalla, kun kuuma-/kylmäviive on havaittu.

Virtajohtoa koskevat ongelmat



Kun laturia käytetään joillakin kannettavilla virtalähteillä (esim. generaattoreilla) tai tasavirtaa vaihtovirraksi muuntavilla lähteillä, laturin toiminta voi keskeytyä väliaikaisesti. LED-merkkivalo vilkkuu merkissä ilmoitetulla tavalla. Tämä tarkoittaa, että virtalähde ylittää sallitut rajat.

Akun jättäminen laturiin

Akku voidaan jättää laturiin, kun merkkivalo palaa. Laturi pitää akun käyttövalmiina ja ladattuna.

Tärkeitä huomautuksia lataamiseen

- ◆ Pisin käyttöikä ja paras suorituskyky saavutetaan, kun akkua ladataan lämpötilassa 18 °C - 24 °C (65 °F - 75 °F). ÄLÄ lataa akkua alle +4,5 °C (+40°F) tai yli +40,5 °C (+105°F) lämpötilassa. Tämä on tärkeää ja se estää akun vakavat vauriot.
- ◆ Laturi ja akku voivat kuumentua latauksen aikana. Tämä on normaalia, eikä ole osoitus ongelmasta. Jotta akku jäähtyisi käytön jälkeen, vältä asettamista laturia tai akkua lämpimään ympäristöön, kuten metallikoteloon tai eristämättömän perävaunun päälle.
- ◆ Jos akku ei lataudu oikein:
 - ◆ Tarkista pistorasian sähkövirta kytkemällä siihen lamppu tai jokin muu laite.
 - ◆ Tarkista valojen sammuttamisen yhteydessä virran katkaisevaa valokytkintä liitetty pistorasiaan.
 - ◆ Siirrä laturi ja akku paikkaan, jossa ympäristölämpötila on noin 18 °C - 24 °C (65°F - 75°F). d. Jos latausongelmat jatkuvat, vie työkalu akun ja laturin ohella paikalliseen Stanley Fat Max -huoltopalveluun.
- ◆ Akku täytyy ladata uudelleen, kun se ei enää tuota riittävää tehoa töissä, joka voitiin aikaisemmin tehdä helposti.
- ◆ ÄLÄ JATKA TYÖKALUN KÄYTTÖÄ näissä olosuhteissa. Noudata latausohjeita.
- ◆ Voit halutessasi myös ladata osittain käytetyn akun milloin tahansa, ilman että siitä olisi haittaa akulle.

Akun asentaminen ja poistaminen työkalusta

Varoitus! Varmista ennen akun irrottamista tai asentamista, että lukituspainike on lukitussa asennossa virtakytkimen tahattoman käytön estämiseksi.

Akun asentaminen

- ◆ Aseta akku hyvin työkaluun, kunnes kuulet napsahduksen kuvan A mukaisesti. Varmista, että akku on hyvin paikoilleen ja lukittu paikoilleen.

Akun poistaminen

- ◆ Paina akun vapautuspainiketta (7) kuvan B mukaisesti ja vedä akku irti työkalusta.

Liipaisinkytkin ja suunnanvaihtopainike - kuva C

- ◆ Pora kytketään päälle ja pois päältä vetämällä ja vapauttamalla liipaisinkytkin (1) kuvan C mukaisesti. Pitä syvemmälle kytkintä painetaan, sitä suurempi on poran nopeus.
- ◆ Suunnanvaihtopainike (2) määrää työkalun kiertosuunnan ja toimii myös lukituspainikkeena.
- ◆ Kiinniruuvausta varten vapautaa liipaisinkytkin ja paina alas suunnanvaihtopainike työkalun oikealla puolella.
- ◆ Kiinniruuvausta varten paina alas suunnanvaihtopainike työkalun oikealla puolella.
- ◆ Suunnanvaihtopainikkeen keskiasento lukitsee työkalun off-asentoon. Kun muutat suunnanvaihtopainikkeen asentoa, varmista, että liipaisin on vapautettu.

Vääntömomentin säätäminen - kuva D

Tässä työkalussa on vääntömomentin säätörengas (3), jolla valitaan toimintatila ja asetetaan vääntömomentti ruuvien kiristämistä varten. Suuret ruuvit ja kovat työstettävät materiaalit vaativat suuremman vääntömomentin kuin pienet ruuvit ja pehmeät työstettävät materiaalit.

- ◆ Puuta, metallia ja muovia poratessasi aseta kartio porausasennon symbolin kohdalle.
- ◆ Kun väännät ruuveja, aseta kartio haluamaasi asentoon. Jos et vielä tiedä oikeaa asentoa, toimi seuraavasti:
 - ◆ Aseta kartio pienimmän vääntömomentin mukaiseen asentoon.
 - ◆ Kiristä ensimmäinen ruuvi.
 - ◆ Jos kytkin luistaa ennen halutun tuloksen saavuttamista, suurena kartion asetusta ja jatka ruuvien kiristämistä.
 - ◆ Toista menettelyä, kunnes asetusta on oikea.
 - ◆ Kiristä muut ruuvit käyttämällä tätä asetusta.

Kaksiasentoinen nopeuskytkin - kuva E

Poran nopeuskytkimen avulla voit vaihtaa vaihteista monipuolisesti.

- ◆ Valitse alhainen nopeus ja korkea vääntömomentti (asento 1), kytkte työkalu pois päältä ja anna sen pysähtyä. Liu'uta nopeuskytkintä (4) pois päin istukasta.
- ◆ Valitse suuri nopeus ja pieni vääntömomentti (asento 2) katkaisemalla työkalusta virta ja antamalla sen pysähtyä. Liu'uta nopeuskytkintä takaisin istukkaan päin.

Huomautus: Älä vaihda vaihdetta, kun työkalu on käynnissä. Jos vaihteiden vaihtamisessa on ongelmia, varmista, että nopeuskytkin on työnnetty joko kokonaan eteenpäin tai kokonaan taaksepäin.

Pikaistukka - kuva F

Varoitus! Varmista ennen lisävarusteiden asentamista tai irrottamista, että akku on irrotettu työkalun tahattoman käytön estämiseksi.

Poran terän tai muun tarvikkeen asentaminen:

- ◆ Tartu istukkaan (5) ja kierrä sitä vastapäivään istukan päästä katsottuna.
- ◆ Aseta terä tai muu tarvike istukkaan ja kiinnitä se hyvin kiertämällä istukkaa myötäpäivään istukan päästä katsottuna.

Varoitus! Älä yritä kiristää tai löysätä poran terää (tai muita lisävarusteita) tarttumalla istukan etuosaan ja käynnistämällä työkalun. Lisävarusteiden vaihtaminen tällä tavalla voi vahingoittaa istukkaa tai johtaa tapaturmaan.

Ruuvaus

- ◆ Ruuveja kiinnitettäessä suunnanvaihtopainike tulee työntää vasemmalle.
- ◆ Poista ruuvit päinvastaiseen suuntaan (painike painettuna oikealle).

Huomautus: Vapautaa liipaisin aina ennen kuin siirryt eteenpäin-asennosta taaksepäin-asentoon tai päinvastoin.

Poraaminen

- ◆ Käytä vain teräviä poran teriä.
- ◆ Tue ja kiinnitä työstökappale oikeaoppisesti turvallisuusohjeita noudattaen.
- ◆ Käytä asianmukaisia ja vaadittuja turvavarusteita turvallisuusohjeiden mukaisesti.
- ◆ Varmista työalueen turvallisuus turvallisuusohjeita noudattaen.
- ◆ Käytä poraa erittäin hiljaa kevyellä paineella, kunnes reikä on aloitettu riittävästi poran pitämiseksi aukossa.
- ◆ Paina suoraan terän suuntaisesti. Paina tarpeeksi kovaa niin, että terä poraa, mutta älä niin kovaa, että moottori jää kiinni tai terä vääntyy.
- ◆ Pidä poraa tiukasti kahdella kädellä, yksi käsi kahvassa ja toinen akkualueen ympärillä tai lisäkahvassa (jos olemassa).
- ◆ **ÄLÄ YRITÄ KÄYNNISTÄÄ KIINNI JÄÄNYTTÄ MOOTTORIA UDELLEEN PAINELEMALLA LIIPAISINTA. PORA VOI VAHINGOITTUA.**
- ◆ Vähennä kiinni jäämisen mahdollisuutta puhkaisuvaiheessa vähentämällä painetta ja poraamalla hitaasti reiän loppupäässä.
- ◆ Pidä moottori käynnissä ja vedä terä ulos poratusta reiästä. Tämä estää juuttumista.
- ◆ Varmista, että kytkin käynnistää ja sammuttaa poran.

Puun poraaminen

Puuhun voidaan porata reikiä samoilla kieräporan terillä kuin metalliin, tai litteäteräisillä poran terillä.

Näiden terien tulisi olla teräviä ja porattaessa ne tulisi vetää ulos usein purujen poistamiseksi urista.

Metallin poraaminen

Käytä leikkuujäähdytysnestettä, kun poraat metalleja. Poikkeuksia ovat valurauta ja messinki, joita tulee porata kuivina. Parhaiten toimivia leikkuujäähdytysnesteiä ovat rikitetty leikkuuöljyt.

Betonin poraaminen

Betonia poratessasi aseta poraustavan valitsin (3) iskuporausten asentoon kohdistamalla vastaava symboli merkintään. Käytä karbidikärkisiä betoniteriä. Katso osio "Poraaminen". Paina poraa tasaisesti, mutta älä niin voimakkaasti, että hauras materiaali murtuu. Yhtenäinen, tasainen pölyvirta osoittaa oikean porausnopeuden.

LED-työvalo

Kun poralla edetään vetämällä liipaisimesta (1), integroitu LED-työvalo (8) syttyy automaattisesti työalueen valaisemiseksi.

Huomautus: Työvalo on tarkoitettu välittömän työpinnan valaisuun eikä sitä ole tarkoitettu käytettäväksi taskulamppuna.

Terän säilytystila

Terän säilytysaukko (9) sijaitsee työkalun kannassa.

Vianetsintä

Ongelma	Mahdollinen syy	Mahdollinen ratkaisu
Laite ei käynnisty.	Akkua ei ole asennettu oikein. Akku ei ole latautunut.	Tarkista akun asennus. Tarkista akun latausvaatimukset.
Laite käynnistyy välittömästi akun kytkemisen jälkeen.	Kytkin on jätetty "Päällä"-asentoon.	Kytkin tulee siirtää "Pois päältä"-asentoon, jotta työkalu ei käynnistyisi heti akun kytkemisen jälkeen.
Akku ei lataudu.	Akkua ei ole asetettu laturiin. Laturia ei ole kytketty pistorasiaan. Ympäristölämpötila on liian korkea tai liian alhainen.	Työnnä akku laturiin, kunnes punaiset LED-valot syttyvät. Kytke laturi pistorasiaan. Siirrä laturi ja akku ympäristöön, jonka lämpötila on yli 45 °C (40 °F) tai alle +40,5 °C (105 °F).
Laite sammuu äkkinäisesti.	Akun maksimilämpötila on saavutettu. Ei virtaa. (Akun maksimaalista käyttöikää varten akku sammuu tarkoituksella äkkinäisesti virran loppuessa).	Anna akun jäähtyä. Aseta laturiin ja anna latautua.

Huolto

Tämä Stanley Fat Max -työkalu on suunniteltu toimimaan mahdollisimman pitkään mahdollisimman vähällä huollolla. Oikea käsittely ja säännöllinen puhdistus varmistavat laitteen ongelmattoman toiminnan.

Laturi ei tarvitse säännöllisen puhdistamisen lisäksi mitään muuta huoltoa.

Varoitus! Poista akku ennen työkalun huoltamista. Irrota laturi pistorasiasta ennen laturin puhdistamista.

- ◆ Puhdista työkalun ja laturin ilma-aukot säännöllisesti pehmeällä harjalla tai kuivalla liinalla.
- ◆ Puhdista moottorikotelo säännöllisesti kostealla liinalla. Älä käytä hankaavia tai liuotinpohjaisia puhdistusaineita.
- ◆ Avaa istukka säännöllisesti ja naputtele pöly pois sen sisältä.

Ympäristönsuojelu



Toimita tämä laite erilliskeräykseen. Tällä symbolilla merkityitä tuotteita ja akkuja ei saa hävittää tavallisen kotitalousjätteen mukana.

Tuotteissa ja akuissa on materiaaleja, jotka voidaan ottaa talteen tai kierrättää uudelleen käyttöä varten. Kierrätä sähkölaitteet ja akut paikallisten määräyksien mukaan. Lisätietoa on saatavilla osoitteessa www.2helpU.com

Tekniset tiedot

		FMC626
Jännite	V _{DC}	18V
Kuormittamaton nopeus	Min ⁻¹	0-350/0-1500
Suurin mahdollinen vääntömomentti	Nm	47
Istukan kapasiteetti	mm	13
Suurin mahdollinen porausteho		
Teräs/puu/muoraus	mm	13/35/13
Paino	kg	1,2

Laturi		905998**	906086**	90636454
Syöttöjännite	V _{AC}	230	230	230
Lähtöjännite	V _{DC}	18	18	18
Virta	mA	1000	2000	1000
Arvioitu latausaika	Mins	80-240	40-120	80-240

Akku		FMC685L	FMC687L	FMC684L	FMC688L
Jännite	V_{AC}	18	18	18	18
Teho	Ah	1.5	2.0	1.3	4.0
Tyyppi		Li-Ion	Li-Ion	Li-Ion	Li-Ion

Äänenpainetaso, määritetty EN 60745-standardin mukaan:Äänenpaine (L_{pA}) 87.0 dB(A), epävarmuus (K) 3 dB(A)Äänitehotaso (L_{WA}) 98.0 dB(A), epävarmuus (K) 3 dB(A)**Tärinän kokonaisarvot (vektorisumma) standardin EN 60745 mukaisesti:**Porattaessa metallia ($a_{h,D}$) < 2.5 m/s², epävarmuus (K) 1,5 m/s²Porattaessa impact ($a_{h,D}$) 14.9 m/s², epävarmuus (K) 1,5 m/s²Ruuvinväntö ilman iskutoimintaa ($a_{h,v}$) < 2.5 m/s², epävarmuus (K) 1,5 m/s²**EY-vaatimustenmukaisuusvakuutus**

KONEDIREKTIIVI



FMC626 - Pora/ruuvinväännin

Stanley Fat Max ilmoittaa, että tuotteet, jotka on kuvattu kohdassa Tekniset tiedot, täyttävät seuraavien direktiivien

vaatimukset:

2006/42/EY, EN60745-1:2009+A11:2010 EN60745-2-1:2010
EN60745-2-2:2010

Nämä tuotteet täyttävät myös direktiivin 2004/108/EY vaatimukset.

(19.4.2016 saakka)

2014/30/EY (alkaen 20.4.2016)

ja 2011/65/EY.

Lisätietoja saa ottamalla yhteyttä Stanley Fat Max -yhtiöön seuraavaan osoitteeseen. Tiedot ovat myös käyttöoppaan takakannessa.

Allekirjoittaja vastaa teknisistä tiedoista ja antaa tämän vakuutuksen seuraavan yhtiön puolesta:

Stanley Fat Max.

R. Laverick

Engineering Manager

Stanley Fat Max Europe, Egide Walschaertsstraat14-18,

2800 Mechelen, Belgium

19/12/2017

Takuu

Stanley Fat Max on vakuuttanut tuotteidensa korkeasta laadusta ja tarjoaa kuluttajille 12 kuukauden takuun, joka astuu voimaan ostopäivänä. Takuu on lisäys kuluttajan lailisiin oikeuksiin eikä vaikuta niihin. Tämä takuu on voimassa kaikissa EU- ja ETA-maissa.

Edellytyksenä takuun saamiselle on, että vaade täyttää Stanley Fat Maxin ehdot ja että ostaja toimittaa ostotositteen jälleenmyyjälle tai valtuutetulle huoltoilikeelle. Stanley Fat Maxin kahden vuoden takuun ehdot ja lähimmän valtuutetun korjauspalvelun yhteystiedot ovat saatavilla osoitteessa www.2helpU.com tai ottamalla yhteyttä paikalliseen Stanley Fat Maxin toimipisteeseen tässä ohjekirjassa ilmoitettuihin osoitteisiin.

Käy verkkosivuillemme osoitteessa www.stanley.eu/3 ja rekisteröi uusi Stanley Fat Max -tuotteesi saadaksesi tietoa uusista tuotteista ja erikoistarjouksista.

Προβλεπόμενη χρήση

Το δρανάποκατάβιδο Stanley Fat Max FMC626 που προμηθευτήκατε έχει σχεδιαστεί για εφαρμογές βιδώματος και για διάτρηση σε ξύλο, μέταλλο, πλαστικά και μαλακά υλικά τοιχοποιίας. Αυτή η συσκευή προορίζεται για επαγγελματική και ιδιωτική, μη επαγγελματική χρήση.

Οδηγίες ασφαλείας

Γενικές προειδοποιήσεις ασφαλείας για τα ηλεκτρικά εργαλεία



Προειδοποίηση! Διαβάστε όλες τις προειδοποιήσεις ασφαλείας και όλες τις οδηγίες. Η μη τήρηση των παρακάτω προειδοποιήσεων και οδηγιών μπορεί να προκαλέσει ηλεκτροπληξία, πυρκαγιά ή/και σοβαρούς τραυματισμούς.

Φυλάξτε όλες τις προειδοποιήσεις και τις οδηγίες για μελλοντική αναφορά. Ο χαρακτηρισμός "ηλεκτρικό εργαλείο" που χρησιμοποιείται σε όλες τις παρακάτω προειδοποιήσεις αφορά είτε το εργαλείο που συνδέεται στην πρίζα (με καλώδιο) είτε το εργαλείο που λειτουργεί με μπαταρία (χωρίς καλώδιο).


1. Ασφάλεια χώρου εργασίας

- α. Διατηρείτε το χώρο που εργάζεστε καθαρό και καλά φωτισμένο. Οι ατακτοποιητές ή σκοτεινές περιοχές γίνονται αιτίες ατυχημάτων.
 - β. **Μη χρησιμοποιείτε ηλεκτρικά εργαλεία σε περιβάλλον όπου υπάρχει κίνδυνος έκρηξης, όπως παρουσία εύφλεκτων υγρών, αερίων ή σκόνης.** Τα ηλεκτρικά εργαλεία παράγουν σπινθήρες που μπορεί να προκαλέσουν ανάφλεξη της σκόνης ή των αναθυμιάσεων.
 - γ. **Όταν χρησιμοποιείτε ηλεκτρικό εργαλείο, κρατάτε τα παιδιά και άλλα άτομα μακριά.** Παράγοντες που αποσπούν την προσοχή μπορεί να σας κάνουν να χάσετε τον έλεγχο.
2. **Ασφαλής χρήση ηλεκτρικού ρεύματος**
 - α. **Το φως του καλωδίου του ηλεκτρικού εργαλείου πρέπει να ταίριαζει στην αντίστοιχη πρίζα. Δεν επιτρέπεται με κανέναν τρόπο η μετασκευή του φως. Μην χρησιμοποιείτε προσαρμοστικά φως με γειωμένα ηλεκτρικά εργαλεία.** Τα φως που δεν έχουν υποστεί τροποποιήσεις και οι κατάλληλες πρίζες μειώνουν τον κίνδυνο ηλεκτροπληξίας.
 - β. **Αποφεύγετε την επαφή του σώματός σας με γειωμένες επιφάνειες, όπως σωλήνες, καλοριφέρ, κουζίνες και ψυγεία.** Υπάρχει αυξημένος κίνδυνος ηλεκτροπληξίας αν το σώμα σας γειωθεί.

- γ. **Μην εκθέτετε τα ηλεκτρικά εργαλεία σε βροχή ή υγρασία.** Η εισχώρηση νερού σε ηλεκτρικό εργαλείο αυξάνει τον κίνδυνο ηλεκτροπληξίας.
- δ. **Μην κακομεταχειρίζεστε το καλώδιο. Μη χρησιμοποιείτε ποτέ το καλώδιο για να μεταφέρετε το εργαλείο, να το τραβήξετε ή να το αποσυνδέσετε από την πρίζα. Κρατάτε το καλώδιο μακριά από θερμότητα, λάδια, αιχμηρά άκρα ή κινούμενα μέρη.** Τυχόν χαλασμένα ή μπερδεμένα καλώδια αυξάνουν τον κίνδυνο ηλεκτροπληξίας.
- ε. **Όταν χρησιμοποιείτε ηλεκτρικό εργαλείο σε εξωτερικούς χώρους, να χρησιμοποιείτε πάντοτε καλώδιο πρόεκτασης κατάλληλο για χρήση σε εξωτερικούς χώρους.** Η χρήση καλωδίου κατάλληλου για εργασία σε εξωτερικούς χώρους μειώνει τον κίνδυνο ηλεκτροπληξίας.
- στ. **Εάν είναι αναπόφευκτη η χρήση ενός ηλεκτρικού εργαλείου σε συνθήκες υγρασίας, χρησιμοποιήστε μια διάταξη προστασίας από ρεύμα διαρροής (RCD).** Η χρήση μιας διάταξης RCD μειώνει τον κίνδυνο ηλεκτροπληξίας.

3. Προσωπική ασφάλεια

- α. **Όταν χρησιμοποιείτε ηλεκτρικό εργαλείο, να είστε σε εγρήγορση, να συγκεντρώνεστε στην εργασία που κάνετε και να επιστρατεύετε την κοινή λογική. Μη χρησιμοποιείτε ηλεκτρικό εργαλείο όταν είστε κουρασμένοι/η ή υπό την επήρεια ναρκωτικών, οινοπνεύματος ή φαρμακευτικής αγωγής.** Μια στιγμή απροσεξίας κατά τη χρήση ηλεκτρικών εργαλείων μπορεί να προκαλέσει σοβαρό τραυματισμό.
- β. **Να χρησιμοποιείτε ατομικό εξοπλισμό προστασίας. Πάντα φοράτε προστασία ματιών.** Ο εξοπλισμός προστασίας, όπως μάσκα κατά της σκόνης, αντιολισθητικά παπούτσια ασφαλείας, κράνος ή προστασία ακοής, όταν χρησιμοποιείται για τις κατάλληλες συνθήκες, θα μειώσει τους τραυματισμούς.
- γ. **Αποτρέψτε την ακούσια ενεργοποίηση. Βεβαιωθείτε ότι ο διακόπτης λειτουργίας βρίσκεται στη θέση απενεργοποίησης πριν συνδέσετε το εργαλείο στην πηγή ρεύματος και/ή τοποθετήσετε το πακέτο μπαταρίας, πριν πάρετε ή μεταφέρετε το εργαλείο.** Η μεταφορά ηλεκτρικών εργαλείων με το δάχτυλο πάνω στο διακόπτη ή η σύνδεση στο ρεύμα ηλεκτρικών εργαλείων με το διακόπτη στη θέση ενεργοποίησης, ενέχει κινδύνους πρόκλησης ατυχημάτων.
- δ. **Πριν θέσετε το ηλεκτρικό εργαλείο σε λειτουργία, αφαιρέστε τυχόν εργαλεία ή κλειδιά ρύθμισης.** Αν παραμείνει μηχανικό κλειδί ή κλειδί ρύθμισης συνδεδεμένο σε περιστρεφόμενο εξάρτημα του ηλεκτρικού εργαλείου, αυτό μπορεί να έχει ως αποτέλεσμα τραυματισμό ατόμων.

- ε. Μην τεντώνεστε. Διατηρείτε πάντα σταθερή στήριξη στα πόδια σας και καλή ισορροπία.** Έτσι μπορείτε να έχετε καλύτερο έλεγχο του ηλεκτρικού εργαλείου σε μη αναμενόμενες καταστάσεις.
- στ. Φοράτε κατάλληλη ενδυμασία εργασίας. Μη φοράτε ρούχα με χαλαρή εφαρμογή ούτε κοσμήματα. Κρατάτε τα μαλλιά, τα ρούχα και τα γάντια σας μακριά από κινούμενα μέρη.** Τα χαλαρά ρούχα, τα κοσμήματα και τα μακριά μαλλιά μπορούν να πιαστούν σε κινούμενα μέρη.
- ζ. Αν παρέχονται διατάξεις για τη σύνδεση συστημάτων απομάκρυνσης και συλλογής της σκόνης, βεβαιωθείτε ότι αυτές είναι συνδεδεμένες και χρησιμοποιούνται κατάλληλα.** Η χρήση διατάξεων συλλογής της σκόνης μπορεί να μειώσει τους κινδύνους που προέρχονται από τη σκόνη.
- 4. Χρήση και φροντίδα ηλεκτρικών εργαλείων**
- α. Μην υπερφορτώνετε το ηλεκτρικό εργαλείο. Χρησιμοποιείτε το σωστό ηλεκτρικό εργαλείο για την εκάστοτε εφαρμογή.** Το σωστό ηλεκτρικό εργαλείο θα εκτελέσει την εργασία καλύτερα και ασφαλέστερα, με την ένταση χρήσης για την οποία σχεδιάστηκε.
- β. Μη χρησιμοποιήσετε ηλεκτρικό εργαλείο αν ο διακόπτης του δεν μπορεί να ενεργοποιηθεί και απενεργοποιηθεί.** Ένα ηλεκτρικό εργαλείο του οποίου η λειτουργία δεν μπορεί να ελεγχθεί με το διακόπτη είναι επικίνδυνο και πρέπει να επισκευαστεί.
- γ. Αποσυνδέστε το φως από την πηγή ρεύματος και/ή το πακέτο μπαταρίας από το ηλεκτρικό εργαλείο, πριν διεξάγετε οποιαδήποτε ρύθμιση, αλλαγή εξαρτήματος ή όταν πρόκειται να αποθηκεύσετε το ηλεκτρικό εργαλείο.** Τέτοια προληπτικά μέτρα ασφαλείας μειώνουν το κίνδυνο αβέλτητης εκκίνησης του ηλεκτρικού εργαλείου.
- δ. Να φυλάσσετε μακριά από παιδιά τα ηλεκτρικά εργαλεία που δεν χρησιμοποιείτε. Μην αφήνετε να χρησιμοποιήσουν ηλεκτρικό εργαλείο άτομα που δεν είναι εξοικειωμένα με αυτό ή άτομα που δεν έχουν διαβάσει αυτές τις οδηγίες χρήσης.** Τα ηλεκτρικά εργαλεία είναι επικίνδυνα στα χέρια μη εκπαιδευμένων χρηστών.
- ε. Να συντηρείτε τα ηλεκτρικά εργαλεία. Ελέγχετε για προβλήματα ευθυγράμμισης ή μάγκωμα των κινούμενων εξαρτημάτων, θραύση εξαρτημάτων, καθώς και για οποιοδήποτε άλλο πρόβλημα μπορεί να επηρεάσει τη λειτουργία των ηλεκτρικών εργαλείων. Αν το εργαλείο έχει υποστεί ζημιά, φροντίστε να επισκευαστεί πριν το χρησιμοποιήσετε.** Η ανεπαρκής συντήρηση των ηλεκτρικών εργαλείων αποτελεί αιτία πολλών ατυχημάτων.
- στ. Διατηρείτε τα κοπτικά εργαλεία κοφτερά και καθαρά.** Τα κοπτικά εργαλεία με αιχμηρά κοπτικά άκρα που συντηρούνται σωστά έχουν λιγότερες πιθανότητες να μπλοκάρουν και ελέγχονται ευκολότερα.
- ζ. Να χρησιμοποιείτε το ηλεκτρικό εργαλείο, τα αξεσουάρ και τις μύτες των εργαλείων κλπ. σύμφωνα με τις παρούσες οδηγίες, λαμβάνοντας υπόψη σας τις συνθήκες εργασίας και την εργασία που θέλετε να εκτελέσετε.** Η χρήση του ηλεκτρικού εργαλείου για εργασίες διαφορετικές από τις προβλεπόμενες θα μπορούσε να οδηγήσει σε επικίνδυνη κατάσταση.
- 5. Χρήση και φροντίδα εργαλείων μπαταρίας**
- α. Να επαναφορτίζετε μόνο με το φορτιστή που καθορίζει ο κατασκευαστής.** Ένας φορτιστής που είναι κατάλληλος για ένα τύπο πακέτου μπαταρίας μπορεί να δημιουργήσει κίνδυνο πυρκαγιάς όταν χρησιμοποιείται με άλλο πακέτο μπαταρίας.
- β. Χρησιμοποιείτε τα ηλεκτρικά εργαλεία αποκλειστικά και μόνο με τα καθοριζόμενα πακέτα μπαταριών.** Η χρήση άλλων πακέτων μπαταριών μπορεί να προκαλέσει κίνδυνο τραυματισμού και πυρκαγιάς.
- γ. Όταν το πακέτο μπαταρίας δεν χρησιμοποιείται, κρατάτε το μακριά από άλλα μεταλλικά αντικείμενα, όπως συνδετήρες, κέρματα, κλειδιά, καρφιά, βίδες ή άλλα μικρά μεταλλικά αντικείμενα που μπορούν να βραχυκυκλώσουν τους δύο ακροδέκτες του.** Εάν βραχυκυκλώσουν οι ακροδέκτες της μπαταρίας, μπορεί να προκληθούν εγκαύματα ή πυρκαγιά.
- δ. Αν οι μπαταρίες υποστούν κακομεταχείριση, μπορεί να διαρρεύσει υγρό. Αποφύγετε την επαφή. Αν κατά λάθος έρθει σε επαφή, ξεπλύνετε με νερό. Αν το υγρό έρθει σε επαφή με τα μάτια, ζητήστε επιπλέον και ιατρική βοήθεια.** Το υγρό που εξέρχεται από τη μπαταρία μπορεί να προκαλέσει ερεθισμούς ή εγκαύματα.
- 6. Σέρβις**
- α. Το σέρβις του ηλεκτρικού σας εργαλείου πρέπει να αναλαμβάνει έμπειρος τεχνικός που θα χρησιμοποιεί μόνο γνήσια ανταλλακτικά.** Έτσι θα εξασφαλίσετε τη διατήρηση της ασφάλειας του ηλεκτρικού εργαλείου.
- Συμπληρωματικές προειδοποιήσεις ασφαλείας για ηλεκτρικά εργαλεία**
-  Προειδοποίηση! Συμπληρωματικές προειδοποιήσεις ασφαλείας για δραπενοκατσάβιδα
- ◆ Χρησιμοποιείτε τις βοηθητικές λαβές που παρέχονται με το εργαλείο. Η απώλεια ελέγχου μπορεί να προκαλέσει σωματική βλάβη.
 - ◆ Κρατάτε το ηλεκτρικό εργαλείο από τις μονωμένες επιφάνειες συγκράτησης όταν εκτελείτε κάποια εργασία κατά την οποία το αξεσουάρ κοπής μπορεί να έρθει σε επαφή με κρυμμένα καλώδια.

Αν αξεσουάρ κοπής έρθει σε επαφή με καλώδιο υπό τάση, μπορεί να θεθούν υπό ηλεκτρική τάση και τα εκτεθειμένα μεταλλικά μέρη του ηλεκτρικού εργαλείου και να προκληθεί ηλεκτροπληξία στο χειριστή.

- ◆ **Κρατάτε το ηλεκτρικό εργαλείο από τις μονωμένες επιφάνειες συγκράτησης, όταν εκτελείτε κάποια εργασία κατά την οποία η βίδα μπορεί να έρθει σε επαφή με κρυμμένα καλώδια.** Αν η βίδα έρθει σε επαφή με καλώδιο υπό τάση μπορεί να θεθούν υπό ηλεκτρική τάση και τα εκτεθειμένα μεταλλικά μέρη του ηλεκτρικού εργαλείου και να προκληθεί ηλεκτροπληξία στο χειριστή.
- ◆ **Χρησιμοποιείτε σφιγκτήρες ή άλλο πρακτικό μέσο για να στερεώνετε και να στηρίζετε το τεμάχιο εργασίας σε σταθερό υπόβαθρο.** Αν κρατάτε το τεμάχιο εργασίας με το χέρι σας ή κόντρα στο σώμα σας, αυτό δεν είναι σταθερό και μπορεί να προκληθεί απώλεια ελέγχου.
- ◆ Πριν τη διάτρηση τοίχων, δαπέδων ή ταβανιών, ελέγχετε για τις θέσεις καλωδιώσεων και σωλήνων.
- ◆ Αποφεύγετε να αγγίζετε την άκρη του τρυπανιού αμέσως μετά τη διάτρηση, επειδή μπορεί να καίει.
- ◆ Η προβλεπόμενη χρήση περιγράφεται στο παρόν εγχειρίδιο οδηγιών. Η χρήση οποιοδήποτε αξεσουάρ ή προσαρτήματος ή η εκτέλεση οποιασδήποτε εργασίας με αυτό το εργαλείο διαφορετικής από αυτές που συστήνονται στο παρόν εγχειρίδιο οδηγιών ενδέχεται να εγκυμονεί κίνδυνο σωματικής βλάβης και/ή υλικών ζημιών.

Ασφάλεια τρίτων

- ◆ Αυτό το εργαλείο δεν προορίζεται για χρήση από άτομα (στα οποία περιλαμβάνονται και τα παιδιά) με μειωμένες σωματικές, αντιληπτικές ή διανοητικές ικανότητες ή από άτομα χωρίς εμπειρία και γνώσεις, παρά μόνο εφόσον αυτά επιτηρούνται ή τους έχουν δοθεί οδηγίες σχετικά με τη χρήση του εργαλείου από άτομο υπεύθυνο για την ασφάλειά τους.
- ◆ Τα παιδιά πρέπει να επιτηρούνται, ώστε να διασφαλίζεται ότι δεν παίζουν με τη συσκευή.

Υπολειπόμενοι κίνδυνοι

Μπορεί να δημιουργηθούν επιπρόσθετοι αναπόφευκτοι κίνδυνοι, όταν χρησιμοποιείτε το εργαλείο, οι οποίοι ενδέχεται να μη συμπεριλαμβάνονται στις προειδοποιήσεις ασφαλείας που εσωκλείονται. Αυτοί οι κίνδυνοι μπορεί να προκληθούν από κακή χρήση, παρατεταμένη χρήση κλπ. Παρά την εφαρμογή των σχετικών κανονισμών ασφαλείας και τη χρήση διατάξεων ασφαλείας, ορισμένοι υπολειπόμενοι κίνδυνοι δεν είναι δυνατό να αποφευχθούν. Σ' αυτούς περιλαμβάνονται:

- ◆ Τραυματισμοί από επαφή με περιστρεφόμενα/κινούμενα μέρη.
- ◆ Τραυματισμοί κατά την αλλαγή οποιονδήποτε εξαρτημάτων, λεπίδων ή αξεσουάρ.

- ◆ Σωματικές βλάβες από παρατεταμένη χρήση του εργαλείου. Όταν χρησιμοποιείτε οποιοδήποτε εργαλείο για παρατεταμένα χρονικά διαστήματα, μην παραλείπετε με κανένα τρόπο να κάνετε τακτικά διαλείμματα.
- ◆ Βλάβη της ακοής.
- ◆ Κίνδυνοι για την υγεία λόγω εισπνοής σκόνης που αναπτύσσεται κατά τη χρήση του εργαλείου σας (παράδειγμα: εργασία με ξύλο, ειδικά βελανιδιά, οξιά και MDF.)

Κραδασμοί

Η δηλωμένη τιμή εκπομπής κραδασμών που αναφέρεται στα τεχνικά χαρακτηριστικά και τη δήλωση συμμόρφωσης έχει μετρηθεί σύμφωνα με τυποποιημένη μέθοδο δοκιμής που παρέχεται από το πρότυπο EN 60745 και μπορεί να χρησιμοποιηθεί για τη σύγκριση ενός εργαλείου με ένα άλλο. Η δηλωμένη τιμή εκπομπής κραδασμών μπορεί επίσης να χρησιμοποιηθεί σε έναν προκαταρκτικό προσδιορισμό της έκθεσης.

Προειδοποίηση! Η τιμή εκπομπής κραδασμών κατά την πραγματική χρήση του ηλεκτρικού εργαλείου μπορεί να διαφέρει από τη δηλωμένη τιμή, ανάλογα με τον τρόπο που χρησιμοποιείται το εργαλείο. Το επίπεδο κραδασμών μπορεί να αυξηθεί πάνω από το επίπεδο που έχει δηλωθεί.

Κατά τον προσδιορισμό της έκθεσης σε κραδασμούς για τον καθορισμό των απαιτούμενων μέτρων ασφαλείας σύμφωνα με την οδηγία 2002/44/ΕΚ για την προστασία προσώπων που χρησιμοποιούν συχνά ηλεκτρικά εργαλεία στην εργασία τους, μια προσεγγιστική εκτίμηση της έκθεσης σε κραδασμούς πρέπει να λαμβάνει υπόψη τις πραγματικές συνθήκες χρήσης και τον τρόπο χρήσης του εργαλείου, συμπεριλαμβανομένων και όλων των επιμέρους τμημάτων του κύκλου εργασίας, όπως πόσες φορές τέθηκε το εργαλείο εκτός λειτουργίας, πότε είναι σε λειτουργία χωρίς φορτίο επιπλέον του χρόνου πίεσης της σκανδάλης.

Ετικέτες πάνω στο εργαλείο

Το εργαλείο φέρει τα παρακάτω προειδοποιητικά σύμβολα μαζί με τον κωδικό ημερομηνίας:



Προειδοποίηση! Για να μειωθεί ο κίνδυνος τραυματισμού, ο χρήστης πρέπει να διαβάσει το εγχειρίδιο οδηγιών.



Να φοράτε ωτοασπίδες με κρουστικά δράπανα. Η έκθεση σε θόρυβο μπορεί να προκαλέσει απώλεια ακοής.

Πρόσθετες οδηγίες ασφαλείας για μπαταρίες και φορτιστές (Δεν παρέχονται με το εργαλείο)

Μπαταρίες

- ◆ Ποτέ μην επιχειρήσετε να τις ανοίξετε για κανένα λόγο.

- ◆ Μην εκθέτετε την μπαταρία σε νερό.
- ◆ Μην τις αποθηκεύετε σε θέσεις όπου η θερμοκρασία ενδέχεται να υπερβεί τους 40 °C.
- ◆ Να τις φορτίζετε μόνο σε θερμοκρασίες περιβάλλοντος μεταξύ 10 °C και 40 °C.
- ◆ Να τις φορτίζετε μόνο με τη χρήση του φορτιστή που παρέχεται με το εργαλείο.
- ◆ Όταν απορρίπτετε τις μπαταρίες, ακολουθήστε τις οδηγίες στην ενότητα "Προστασία του περιβάλλοντος".



Μην επιχειρήσετε να φορτίσετε μπαταρίες που έχουν υποστεί ζημιά.

Φορτιστές

- ◆ Χρησιμοποιείτε το φορτιστή Stanley Fat Max μόνο για να φορτίζετε την μπαταρία στο εργαλείο η οποία να συνόδευε. Άλλες μπαταρίες ενδέχεται να σκάσουν, προκαλώντας τραυματισμό ατόμων και ζημιές.
- ◆ Μην επιχειρείτε ποτέ να φορτίσετε μη επαναφορτιζόμενες μπαταρίες.
- ◆ Να φροντίζετε να αντικαθίστανται άμεσα τα καλώδια που έχουν υποστεί ζημιά.
- ◆ Μην εκθέτετε το φορτιστή σε νερό.
- ◆ Μην ανοίγετε το φορτιστή.
- ◆ Μην εισάγετε οποιαδήποτε εξαρτήματα μέσα στο φορτιστή.



Ο φορτιστής προορίζεται για χρήση μόνο σε εσωτερικούς χώρους.



Διαβάστε το εγχειρίδιο οδηγιών πριν από τη χρήση.

Ασφαλής χρήση ηλεκτρικού ρεύματος



Ο φορτιστής σας φέρει διπλή μόνωση. Επομένως, δεν απαιτείται αγωγός γείωσης. Ελέγχετε πάντα ότι η τάση ρεύματος δικτύου συμφωνεί με αυτήν που αναγράφεται στην πινακίδα τεχνικών χαρακτηριστικών. Ποτέ μην επιχειρήσετε να αντικαταστήσετε το φορτιστή με κανονικό φως ρεύματος δικτύου.

- ◆ Αν έχει υποστεί ζημιά το καλώδιο τροφοδοσίας, αυτό πρέπει να αντικατασταθεί από τον κατασκευαστή ή από εξουσιοδοτημένο κέντρο σέρβις Stanley Fat Max, ώστε να αποφευχθούν τυχόν κίνδυνοι.

Χαρακτηριστικά

Η παρούσα συσκευή περιλαμβάνει μερικά ή όλα από τα παρακάτω στοιχεία.

1. Διακόπτης σκανδάλης
2. Κουμπί ελέγχου κίνησης εμπρός/όπισθεν
3. Κολάρο ρύθμισης ροπής
4. Επιλογέας ταχύτητας δύο περιοχών
5. Αυτόματο τσοκ
6. Μπαταρία
7. Κουμπί απελευθέρωσης μπαταρίας
8. LED φωτισμού εργασίας
9. Υποδοχή μύτης

Χρήση

Προειδοποίηση! Αφήστε το εργαλείο να λειτουργήσει με το δικό του ρυθμό.

Μην το υπερφορτώνετε.

Φόρτιση της μπαταρίας

Η μπαταρία πρέπει να φορτιστεί πριν την πρώτη χρήση και όταν δεν μπορεί να παρέχει επαρκή ισχύ σε εργασίες που πριν γίνοντουσαν εύκολα. Η μπαταρία μπορεί να θερμαίνεται κατά τη φόρτιση. Κάτι τέτοιο είναι φυσιολογικό και δεν υποδηλώνει πρόβλημα.

Προειδοποίηση! Μη φορτίζετε την μπαταρία σε θερμοκρασίες περιβάλλοντος κάτω από 10 °C ή πάνω από 40 °C. Η συνιστώμενη θερμοκρασία φόρτισης είναι περίπου 24 °C.

Σημείωση: Ο φορτιστής δε θα φορτίσει μια μπαταρία με θερμοκρασία κυψέλης κάτω από περίπου 10 °C ή πάνω από 40 °C.

Η μπαταρία θα πρέπει να μείνει στο φορτιστή και αυτός θα αρχίσει να τη φορτίζει αυτόματα μόλις η θερμοκρασία κυψέλης αυξηθεί ή μειωθεί αντίστοιχα.

- ◆ Συνδέστε το φορτιστή σε κατάλληλη πρίζα πριν εισάγετε το πακέτο μπαταρίας.
- ◆ Εισάγετε το πακέτο μπαταρίας στο φορτιστή.



Η πράσινη λυχνία LED θα αναβοσβήνει υποδεικνύοντας ότι η μπαταρία φορτίζεται.



Η φόρτιση έχει ολοκληρωθεί όταν η λυχνία LED μείνει μόνιμα αναμμένη. Τότε η μπαταρία είναι πλήρως φορτισμένη και μπορείτε να τη χρησιμοποιήσετε ή να την αφήσετε τοποθετημένη στον φορτιστή.

Προειδοποίηση! Επαναφορτίζετε τις αποφορτισμένες μπαταρίες το συντομότερο δυνατόν μετά τη χρήση, διαφορετικά μπορεί να μειωθεί πολύ η διάρκεια ζωής τους.

Διαγνωστικά φορτιστή

Αυτός ο φορτιστής έχει σχεδιαστεί ώστε να ανιχνεύει ορισμένα προβλήματα που μπορούν να προκύψουν με πακέτα μπαταριών ή με την πηγή ρεύματος. Τα προβλήματα υποδεικνύονται από μια λυχνία LED που αναβοσβήνει με διαφορετικά μοτίβα αναλαμπών.

Προβληματική μπαταρία



Ο φορτιστής μπορεί να ανιχνεύσει ότι μια μπαταρία είναι εξασθενημένη ή έχει υποστεί ζημιά. Η κόκκινη λυχνία LED αναβοσβήνει με το μοτίβο αναλαμπών που υποδεικνύεται στην ετικέτα. Αν δείτε αυτό το μοτίβο αναλαμπών που αντιστοιχεί σε προβληματική μπαταρία, μη συνεχίσετε τη φόρτιση της μπαταρίας. Επιστρέψτε την σε κέντρο σέρβις ή σε θέση συλλογής για ανακύκλωση

Καθυστέρηση θερμού/ψυχρού πακέτου μπαταρίας



Αν ο φορτιστής ανιχνεύσει μπαταρία με υπερβολικά υψηλή ή χαμηλή θερμοκρασία, ξεκινά αυτόματα μια Καθυστέρηση θερμού/ψυχρού πακέτου μπαταρίας, αναστέλλοντας τη φόρτιση έως ότου η μπαταρία έχει φθάσει σε κατάλληλη θερμοκρασία. Αφού συμβεί αυτό, ο φορτιστής μεταβαίνει αυτόματα σε λειτουργία φόρτισης του πακέτου. Αυτή η λειτουργία διασφαλίζει τη μέγιστη διάρκεια ζωής της μπαταρίας. Η κόκκινη λυχνία LED αναβοσβήνει με το μοτίβο αναλαμπών που υποδεικνύεται στην ετικέτα όταν ανιχνευτεί η καθυστέρηση θερμού/ψυχρού πακέτου μπαταρίας.

Προβληματική γραμμή παροχής



Όταν ο φορτιστής χρησιμοποιείται με ορισμένες φορητές πηγές ρεύματος όπως γεννήτριες ή πηγές που μετατρέπουν συνεχές ρεύμα σε εναλλασσόμενο (DC σε AC), ο φορτιστής μπορεί να αναστείλει προσωρινά τη λειτουργία του. Η λυχνία LED αναβοσβήνει με το μοτίβο αναλαμπών που υποδεικνύεται στην ετικέτα. Αυτό υποδεικνύει ότι η πηγή ρεύματος είναι εκτός ορίων.

Παραμονή της μπαταρίας στο φορτιστή

Ο φορτιστής και η μπαταρία μπορούν να παραμείνουν συνδεδεμένα με τη λυχνία LED αναμμένη επί αόριστον. Ο φορτιστής θα διατηρήσει το πακέτο μπαταρίας σε βέλτιστη κατάσταση και πλήρως φορτισμένο.

Σημαντικές επισημάνσεις για τη φόρτιση

- ◆ Η μέγιστη διάρκεια ζωής και η βέλτιστη απόδοση μπορούν να επιτευχθούν αν το πακέτο μπαταρίας φορτίζεται όταν η θερμοκρασία περιβάλλοντος είναι μεταξύ 18 °C και 24 °C (65 °F έως 75 °F). ΜΗ φορτίζετε το πακέτο μπαταρίας σε θερμοκρασία περιβάλλοντος κάτω από +4,5 °C (+40 °F) ή πάνω από +40,5 °C (+105 °F). Αυτό είναι σημαντικό και θα αποτρέψει σοβαρά ζημιά στο πακέτο μπαταρίας.
- ◆ Ο φορτιστής και το πακέτο μπαταρίας μπορεί να θερμανθούν κατά τη φόρτιση. Αυτό είναι κανονικό φαινόμενο και όχι ένδειξη προβλήματος. Για να διευκολύνετε την ψύξη του πακέτου μπαταρίας μετά τη χρήση, αποφεύγετε να τοποθετείτε το φορτιστή ή το πακέτο μπαταρίας σε θερμό περιβάλλον, όπως μεταλλικό παράπηγμα ή σε μη μονωμένο τρέιλερ.
- ◆ Αν το πακέτο μπαταρίας δεν φορτίζεται σωστά:
 - ◆ Ελέγξτε το ρεύμα στην πρίζα συνδέοντας ένα φωτιστικό ή άλλη ηλεκτρική συσκευή.
 - ◆ Ελέγξτε μήπως η πρίζα συνδέεται σε διακόπτη φώτων που διακόπτει το ρεύμα όταν σβήνετε τα φώτα.
 - ◆ Μετακινήστε το φορτιστή και το πακέτο μπαταρίας σε θέση όπου η θερμοκρασία αέρα περιβάλλοντος είναι περίπου 18 °C - 24 °C (65 °F - 75 °F).
 - ◆ Αν τα προβλήματα φόρτισης επιμένουν, παραδώστε το εργαλείο, το πακέτο μπαταρίας και το φορτιστή στο τοπικό σας κέντρο σέρβις Stanley Fat Max.
- ◆ Το πακέτο μπαταρίας πρέπει να επαναφορτίζεται όταν δεν είναι σε θέση να παράγει επαρκή ισχύ σε εργασίες που γίνοντουσαν εύκολα πιο πριν.
- ◆ ΜΗ ΣΥΝΕΧΙΣΕΤΕ ΝΑ ΧΡΗΣΙΜΟΠΟΙΕΙΤΕ ΤΟ ΕΡΓΑΛΕΙΟ ΥΠΟ ΑΥΤΕΣ ΤΙΣ ΣΥΝΘΗΚΕΣ. Ακολουθήστε τη διαδικασία φόρτισης.
- ◆ Μπορείτε επίσης να φορτίσετε όποτε επιθυμείτε ένα πακέτο μπαταρίας που δεν έχει εξαντληθεί πλήρως, χωρίς αυτό να έχει αρνητικές συνέπειες στο πακέτο μπαταρίας.

Εισαγωγή και αφαίρεση του πακέτου μπαταρίας από το εργαλείο

Προειδοποίηση! Βεβαιωθείτε ότι είναι πατημένο το κουμπί ασφάλισης στην απενεργοποιημένη κατάσταση, για να αποφύγετε τυχόν ενεργοποίηση του διακόπτη πριν από την αφαίρεση ή την τοποθέτηση της μπαταρίας.

Για την εγκατάσταση του πακέτου μπαταρίας

- ◆ Εισάγετε το πακέτο μπαταρίας με σταθερή πίεση μέσα στο εργαλείο έως ακουστεί ήχο ασφάλισης, όπως δείχνει η εικόνα Α. Βεβαιωθείτε ότι το πακέτο μπαταρίας έχει εδράσει πλήρως και έχει ασφαλίσει καλά στη θέση του.

Για να αφαιρέσετε το πακέτο μπαταρίας

- ◆ Πατήστε το κουμπί απελευθέρωσης της μπαταρίας (7) όπως δείχνει η εικόνα Β και τραβήξτε το πακέτο μπαταρίας έξω από το εργαλείο.

Διακόπτης σκανδάλης και κουμπί ελέγχου κίνησης εμπρός/όπισθεν - εικόνα C

- ◆ Το δράπανο ενεργοποιείται και απενεργοποιείται πατώντας και αφήνοντας το διακόπτη σκανδάλης (1) όπως δείχνει η εικόνα C. Όσο περισσότερο πατάτε τη σκανδάλη, τόσο ταχύτερα λειτουργεί το δράπανο.
- ◆ Ένα κουμπί ελέγχου κίνησης εμπρός/όπισθεν (2) καθορίζει την κατεύθυνση περιστροφής του εργαλείου και ταυτόχρονα χρησιμεύει και ως κουμπί ασφάλισης σε απενεργοποιημένη κατάσταση.
- ◆ Για να επιλέξετε περιστροφή προς τα εμπρός, απελευθερώστε το διακόπτη σκανδάλης και πιέστε το κουμπί ελέγχου κίνησης εμπρός/όπισθεν στη δεξιά πλευρά του εργαλείου.
- ◆ Για να επιλέξετε περιστροφή όπισθεν, πιέστε το κουμπί ελέγχου κίνησης εμπρός/όπισθεν στην αριστερή πλευρά του εργαλείου.
- ◆ Η μεσαία θέση του κουμπιού ελέγχου ασφαλίσει το εργαλείο στη θέση απενεργοποίησης. Όταν αλλάξετε τη θέση του κουμπιού ελέγχου, να βεβαιώνετε ότι έχει ελευθερωθεί η σκανδάλη.

Ρύθμιση συστήματος ελέγχου ροπής - εικόνα D

Αυτό το εργαλείο είναι εξοπλισμένο με ένα κολάρο (3) για την επιλογή τρόπου λειτουργίας και για τη ρύθμιση της ροπής, όταν σφίγγετε βίδες. Οι μεγάλες βίδες και τα τεμάχια εργασίας από σκληρό υλικό χρειάζονται μεγαλύτερη ρύθμιση ροπής από τις μικρές βίδες και τα τεμάχια εργασίας από μαλακά υλικά.

- ◆ Για διάτρηση σε ξύλο, μέταλλο και πλαστικά, ρυθμίστε το κολάρο στη θέση με το σύμβολο της διάτρησης.
- ◆ Για βίδωμα, ρυθμίστε το κολάρο στην επιθυμητή ρύθμιση. Εάν δεν γνωρίζετε ακόμη την κατάλληλη ρύθμιση, συνεχίστε ως εξής:
 - ◆ Τοποθετήστε το κολάρο στη χαμηλότερη ρύθμιση ροπής.
 - ◆ Σφίξτε την πρώτη βίδα.
 - ◆ Αν ο συμπλέκτης αποσυμπλέκεται πριν επιτύχετε το επιθυμητό αποτέλεσμα, αυξήστε τη ρύθμιση του κολάρου και συνεχίστε να σφίγγετε τη βίδα.
 - ◆ Επαναλάβετε μέχρι να επιτύχετε τη σωστή ρύθμιση.

- ◆ Χρησιμοποιήστε την ίδια ρύθμιση και για τις υπόλοιπες βίδες.

Διακόπτης διπλής περιοχής - εικόνα E

Το χαρακτηριστικό διπλής περιοχής του δρανάνου, σας επιτρέπει να αλλάξετε ταχύτητες για μεγαλύτερη ευελιξία χρήσης.

- ◆ Για να επιλέξετε ρύθμιση χαμηλής ταχύτητας, υψηλής ροπής (θέση 1), απενεργοποιήστε το εργαλείο και αφήστε το να σταματήσει. Μετακινήστε το κουμπί επιλογής ταχύτητας (4) σε κατεύθυνση αντίθετη του τσοκ.
- ◆ Για να επιλέξετε τη ρύθμιση υψηλής ταχύτητας, χαμηλής ροπής (θέση 2), απενεργοποιήστε το εργαλείο και αφήστε το να σταματήσει. Μετακινήστε το κουμπί επιλογής ταχύτητας πίσω προς την κατεύθυνση του τσοκ.

Σημείωση: Μην αλλάζετε ταχύτητα με το εργαλείο εν κινήσει.

Αν δυσκολεύεστε στην αλλαγή ταχυτήτων, βεβαιωθείτε ότι το κουμπί επιλογής της διπλής περιοχής ταχυτήτων έχει μετακινηθεί είτε τελείως μπροστά είτε τελείως πίσω.

Αυτόματο τσοκ - εικόνα F

Προειδοποίηση! Βεβαιωθείτε ότι έχει αφαιρεθεί το πακέτο μπαταρίας για να αποτρέψετε ενεργοποίηση τους εργαλείου πριν από την τοποθέτηση ή την αφαίρεση αξεσουάρ.

Για να τοποθετήσετε μια μύτη τρυπανιού ή άλλο αξεσουάρ:

- ◆ Κρατήστε το τσοκ (5) και περιστρέψτε το αριστερόστροφα, όπως βλέπετε από την άκρη του τσοκ.
- ◆ Τοποθετήστε τη μύτη ή άλλο αξεσουάρ τελείως μέσα στο τσοκ και σφίξτε το τσοκ καλά περιστρέφοντάς το δεξιόστροφα όπως φαίνεται από το άκρο τσοκ.

Προειδοποίηση! Μην επιχειρήσετε να σφίξετε ή να ξεσφίξετε τα τρυπάνια (ή οποιοδήποτε άλλο αξεσουάρ) πιάνοντας το μπροστινό μέρος του τσοκ και ενεργοποιώντας το εργαλείο. Μπορεί να προκληθεί ζημιά στο τσοκ και τραυματισμός αλλάζοντας αξεσουάρ με αυτόν τον τρόπο.

Βίδωμα

- ◆ Για το βίδωμα, το κουμπί ελέγχου κίνησης εμπρός/όπισθεν πρέπει να είναι πατημένο προς τα αριστερά.
- ◆ Για ξεβίδωμα χρησιμοποιήστε την αντίθετη θέση (κουμπί πατημένο προς τα δεξιά).

Σημείωση: Όταν αλλάξετε κίνηση από εμπρός σε όπισθεν, ή αντίστροφα, πάντα να απελευθερώνετε πρώτα το διακόπτη σκανδάλης.

Διάτρηση

- ◆ Χρησιμοποιείτε αιχμηρά τρυπάνια και μόνο.
- ◆ Υποστηρίζεται και στερεώνετε σωστά τα τεμάχια εργασίας, όπως υποδεικνύεται στις οδηγίες ασφαλείας.
- ◆ Χρησιμοποιείτε τον κατάλληλο και απαιτούμενο εξοπλισμό ασφαλείας σύμφωνα με τις Οδηγίες ασφαλείας.

- ◆ Προστατεύετε και διατηρείτε σε καλή κατάσταση την περιοχή εργασίας, σύμφωνα με τις Οδηγίες ασφαλείας.
- ◆ Ξεκινάτε τη διάτρηση με πολύ μικρή ταχύτητα, χρησιμοποιώντας μόνο μικρή πίεση, έως ότου ξεκινήσει η σπή και επαρκεί να συγκρατεί το τρυπάνι χωρίς να κινδυνεύει να γλιστρήσει έξω από αυτή.
- ◆ Ασκήτε πίεση σε ευθεία γραμμή με τη μύτη. Ασκήτε όση πίεση χρειάζεται για να μπορεί η μύτη να διατρήσει το αντικείμενο, όχι όμως σε υπερβολικό βαθμό γιατί υπάρχει κίνδυνος να κολλήσει το μοτέρ ή να παραμορφωθεί η μύτη.
- ◆ Κρατάτε το δράπανο σταθερά και με τα δύο χέρια, με το ένα χέρι στη λαβή και με το άλλο να πιάνει το κάτω μέρος γύρω από την περιοχή της μπαταρίας ή τη βοηθητική λαβή αν παρέχεται τέτοια λαβή.
- ◆ **ΑΝ ΤΟ ΔΡΑΠΑΝΟ ΚΟΛΛΗΣΕΙ, ΜΗΝ ΠΑΤΑΤΕ ΚΑΙ ΑΦΗΝΕΤΕ ΤΗ ΣΚΑΝΔΑΛΗ ΠΡΟΣΠΛΑΘΩΝΤΑΣ ΝΑ ΤΟ ΘΕΣΕΤΕ ΠΑΛΙ ΣΕ ΚΙΝΗΣΗ. ΜΠΟΡΕΙ ΝΑ ΠΡΟΚΛΗΘΕΙ ΖΗΜΙΑ ΣΤΟ ΔΡΑΠΑΝΟ.**
- ◆ Ελαχιστοποιήστε το ενδεχόμενο κολλήματος μειώνοντας την πίεση και τρυπώντας αργά στο τελευταίο τμήμα της σπής.
- ◆ Αφήστε το μοτέρ να λειτουργεί καθώς βγάζετε τη μύτη από μια σπή που μόλις διανοίξατε. Αυτό συμβάλλει στον περιορισμό του κολλήματος.
- ◆ Βεβαιωθείτε ότι ο διακόπτης ενεργοποιεί και απενεργοποιεί το δράπανο.

Διάτρηση σε ξύλο

Οι σπές στο ξύλο μπορούν να γίνουν με τις ίδιες ελικοειδείς μύτες τρυπανιού που χρησιμοποιούνται μέταλλο ή με επίπεδες μύτες. Αυτές οι μύτες θα πρέπει να είναι αιχμηρές και να τις τραβάτε έξω συχνά κατά τη διάτρηση ώστε να φεύγουν τα πριονίδια από τις αυλακώσεις τους.

Διάτρηση σε μέταλλο

Χρησιμοποιείτε λιπαντικό κοπής κατά τη διάτρηση μετάλλων. Εξαιρέσεις είναι ο χυτοσίδηρος και ο ορείχαλκος όπου πρέπει να γίνεται ξηρή διάτρηση. Τα πιο αποτελεσματικά λιπαντικά κοπής είναι το θειωμένο λάδι κοπής.

Διάτρηση σε τοιχοποιία

Για διάτρηση τοιχοποιίας, θέστε το κολάρο (3) στη θέση διάτρησης με κρούση, ευθυγραμμίζοντας το σύμβολο με το σημάδι. Χρησιμοποιείτε μύτες για τοιχοποιία με άκρο καρβιδίου. Συμβουλευθείτε το τμήμα Διάτρηση. Διατηρείτε ομοιόμορφη πίεση στο δράπανο, όχι όμως σε υπερβολικό βαθμό γιατί μπορεί να προκληθεί ρηγμάτωση στο εύθραυστο υλικό. Μια ομαλή, ομοιόμορφη ροή σκόνης υποδηλώνει σωστό ρυθμό διάτρησης.

Φως εργασίας LED

Όταν ενεργοποιείται το δράπανο με τράβηγμα του διακόπτη σκανδάλης (1), ανάβει αυτόματα το ενσωματωμένο φως εργασίας LED (8) ώστε να φωτίζεται η περιοχή εργασίας.

Σημείωση: Το φως εργασίας προορίζεται για το φωτισμό της άμεσης επιφάνειας εργασίας και δεν προορίζεται για χρήση ως φακός.

Φύλαξη των μυτών

Υπάρχει ενσωματωμένη υποδοχή φύλαξης μυτών (9) στη βάση του εργαλείου.

ΑΝΤΙΜΕΤΩΠΙΣΗ ΠΡΟΒΛΗΜΑΤΩΝ

ΠΡΟΒΛΗΜΑ	Πιθανή αιτία	Πιθανή λύση
Η μονάδα δεν τίθεται σε λειτουργία.	Το πακέτο μπαταρίας δεν έχει τοποθετηθεί σωστά. Το πακέτο μπαταρίας δεν είναι φορτισμένο.	Ελέγξτε την τοποθέτηση του πακέτου μπαταρίας. Ελέγξτε τις απαιτήσεις φόρτισης του πακέτου μπαταρίας
Η μονάδα αρχίζει να λειτουργεί αμέσως μετά την τοποθέτηση της μπαταρίας	Ο διακόπτης έχει παραμείνει στη θέση "ενεργοποίησης".	Πρέπει να κινήσετε το διακόπτη στη θέση "απενεργοποίησης" για να αποτρέψετε την άμεση έναρξη κίνησης του εργαλείου όταν εισάγετε την μπαταρία.
Το πακέτο μπαταρίας δεν φορτίζεται.	Δεν έχει τοποθετηθεί πακέτο μπαταρίας στο φορτιστή. Ο φορτιστής δεν έχει συνδεθεί στην πρίζα. Η θερμοκρασία αέρα περιβάλλοντος είναι πολύ θερμή ή πολύ ψυχρή.	Τοποθετήστε το πακέτο μπαταρίας στο φορτιστή μέχρι να ανάψει η λυχνία LED. Συνδέστε το φορτιστή σε πρίζα που λειτουργεί. Μετακινήστε το φορτιστή και την μπαταρία σε θέση με θερμοκρασία αέρα περιβάλλοντος πάνω από 45 °C (40 °F) ή κάτω από 40,5 °C (105 °F)
Η μονάδα σβήνει ξαφνικά.	Το πακέτο μπαταρίας έχει φθάσει στο όριο μέγιστης θερμοκρασίας του. Εκτός φόρτισης. (Για να μεγιστοποιηθεί η διάρκεια ζωής του, το πακέτο μπαταρίας έχει σχεδιαστεί να απενεργοποιείται άμεσα όταν εξαντληθεί η φόρτισή του)	Αφήστε το πακέτο μπαταρίας να κρυώσει. Τοποθετήστε το στον φορτιστή και αφήστε το να φορτιστεί.

Συντήρηση

Αυτό το εργαλείο της Stanley Fat Max έχει σχεδιαστεί έτσι ώστε να λειτουργεί για μεγάλο χρονικό διάστημα με την ελάχιστη δυνατή συντήρηση. Η συνεχής ικανοποιητική λειτουργία εξαρτάται από τη σωστή φροντίδα και τον τακτικό καθαρισμό του εργαλείου.

Ο φορτιστής σας δεν απαιτεί άλλη συντήρηση εκτός του τακτικού καθαρισμού.

Προειδοποίηση! Πρωτού πραγματοποιήσετε κάποια συντήρηση στο εργαλείο, αφαιρέστε την μπαταρία από το εργαλείο. Πριν καθαρίσετε το φορτιστή, αποσυνδέστε τον από την πρίζα.

- ◆ Να καθαρίζετε τακτικά τις εγχοπές εξαιρισμού του εργαλείου και του φορτιστή με μια μαλακή βούρτσα ή με ένα στεγνό πανί.
- ◆ Να καθαρίζετε τακτικά το περιβλήμα του μοτέρ με ένα ελαφρά υγρό πανί.
Μην χρησιμοποιείτε λειαντικά υγρά καθαρισμού ή καθαριστικά που περιέχουν διαλυτικά.
- ◆ Να ανοίγετε τακτικά το τσοκ και να το χτυπάτε ελαφρά για να αφαιρέσετε τη σκόνη από το εσωτερικό του.

Προστασία του περιβάλλοντος



Χωριστή συλλογή. Τα προϊόντα και οι μπαταρίες που επισημαίνονται με αυτό το σύμβολο δεν πρέπει να απορρίπτονται μαζί με τα κανονικά οικιακά απορρίμματα.

Τα προϊόντα και οι μπαταρίες περιέχουν υλικά που μπορούν να ανακτηθούν ή να ανακυκλωθούν ώστε να μειωθούν οι ανάγκες για πρώτες ύλες. Παρακαλούμε να ανακυκλώνετε τα ηλεκτρικά προϊόντα και τις μπαταρίες σύμφωνα με τους τοπικούς κανονισμούς. Περισσότερες πληροφορίες διατίθενται στον ιστότοπο www.2helpU.com

Τεχνικά χαρακτηριστικά

		FMC626
Τάση	V_{DC}	18V
Ταχύτητα χωρίς φορτίο	σ.α.λ.	0-350/0-1500
Μέγ. ροπή	Nm	47
Μέγεθος τσοκ	mm	13
Μέγ. ικανότητα διάτρησης		
Χάλυβας/ξύλο/τοιχοποιία	mm	13/35/13
Βάρος	kg	1,2

Φορτιστής		905998**	906086**	90636454
Τάση εισόδου	V_{AC}	230	230	230
Τάση εξόδου	V_{DC}	18	18	18
Ρεύμα	mA	1000	2000	1000
Χρόνος φόρτισης κατά προσέγγιση	Mins	80-240	40-120	80-240

Μπαταρία		FMC685L	FMC687L	FMC684L	FMC688L
Τάση	V_{AC}	18	18	18	18
Χωρητικότητα	Ah	1.5	2.0	1.3	4.0
Τύπος		Li-Ion	Li-Ion	Li-Ion	Li-Ion

Στάθμη ηχητικής πίεσης, μετρημένης σύμφωνα με το πρότυπο EN 60745:
Ηχητική πίεση (L_{pA}) 87.0 dB(A), αβεβαιότητα (K) 3 dB(A)
Ηχητική ισχύς (L_{WA}) 98 dB(A), αβεβαιότητα (K) 3 dB(A)

Οι συνολικές τιμές δόνησης (διανυσματικό άθροισμα τριών αξόνων) κατά EN 60745:
Διάτρηση σε μέταλλο ($a_{h,D}$) <2.5 m/s ² , αβεβαιότητα (K) 1,5 m/s ²
τρύπημα με κρούση ($a_{h,D}$) 14.9 m/s ² , αβεβαιότητα (K) 1,5 m/s ²
Βίδωμα χωρίς κρούση ($a_{h,D}$) <2.5 m/s ² , αβεβαιότητα (K) 1,5 m/s ²

Δήλωση συμμόρφωσης ΕΚ

ΟΔΗΓΙΑ ΠΕΡΙ ΜΗΧΑΝΗΜΑΤΩΝ



FMC626 - Δράπανο, κατσαβίδι

Η Stanley Fat Max δηλώνει ότι αυτά τα προϊόντα που περιγράφονται στα "τεχνικά χαρακτηριστικά"

συμμορφώνονται με:

2006/42/ΕΚ, EN60745-1:2009+A11:2010 EN60745-2-1:2010

EN60745-2-2:2010

Αυτά τα προϊόντα συμμορφώνονται επίσης με την Οδηγία
2004/108/ΕΚ
(έως 19/04/2016)
2014/30/ΕΕ (από 20/04/2016)
και 2011/65/ΕΕ.

Για περισσότερες πληροφορίες, παρακαλείσθε να επικοινωνήσετε με την Stanley Fat Max στην παρακάτω

διεύθυνση ή να ανατρέξετε στο πίσω μέρος του εγχειριδίου.

Ο κάτωθι υπογεγραμμένος είναι υπεύθυνος για την κατάρτιση του τεχνικού φακέλου και δηλώνει τα παρόντα εκ μέρους της Stanley Fat Max.

R. Laverick

Υπεύθυνος Σχεδιασμού

Stanley Fat Max Europe, Egide Walschaertsstraat 14-18,

2800 Mechelen, Belgium

19/12/2017

Εγγύηση

Η Stanley Fat Max είναι σίγουρη για την ποιότητα των προϊόντων της και προσφέρει στους καταναλωτές εγγύηση 12 μηνών από την ημερομηνία αγοράς. Αυτή η εγγύηση είναι πρόσθετο δικαίωμά σας και δεν ζημιώνει τα νόμιμα δικαιώματά σας. Η εγγύηση ισχύει εντός της επικράτειας των χωρών μελών της Ευρωπαϊκής Ένωσης και της Ευρωπαϊκής Ζώνης Ελεύθερων Συναλλαγών.

Για να υποβάλετε αξίωση βάσει της εγγύησης, η αξίωση θα πρέπει να είναι σύμφωνη με τους Όρους και προϋποθέσεις της Stanley Fat Max και θα χρειαστεί να υποβάλετε απόδειξη αγοράς στον πωλητή ή σε εξουσιοδοτημένο αντιπρόσωπο επισκευών. Μπορείτε να αποκτήσετε τους Όρους και προϋποθέσεις της εγγύησης 1 ετών της Stanley Fat Max και να μάθετε την τοποθεσία του πλησιέστερου εξουσιοδοτημένου αντιπροσώπου επισκευών στο Internet στο www.2helpU.com, ή επικοινωνώντας με το τοπικό σας γραφείο Stanley Fat Max στη διεύθυνση που υποδεικνύεται στο παρόν εγχειρίδιο.

Παρακαλούμε επισκεφθείτε την ιστοσελίδα μας www.stanley.eu/3 για να καταχωρίσετε το νέο σας προϊόν Stanley Fat Max και για να ενημερώνεστε για τα νέα προϊόντα και τις ειδικές προσφορές.

België/Belgique	Stanley Fat Max E. Walschaertstraat 14-16 2800 Mechelen Belgium	De. Tel. +32 70 220 065 Fr. Tel. +32 70 220 066 Fax +32 15 473 799 www.stanleytools.eu Enduser.be@SBDinc.com
Danmark	Stanley Fat Max Farveland 1B 2600 Glostrup	Tel. 70 20 15 10 Fax 70 22 49 10 www.stanleyworks.dk
Deutschland	Stanley Fat Max Richard Klinger Str. 11, D - 65510 Idstein	Tel. 06126 21-1 Fax 06126 21-2770
Ελλάδα	Stanley Fat Max. Στράβωνος 7 & Λεωφ. Βουλιαγμένης 159 Γλυφάδα 166 74 - Αθήνα	Τηλ. +30 210 8981-616 Φαξ +30 210 8983-285 www.stanleyworks.gr
España	Stanley Fat Max. Parc de Negocis "Mas Blau" Edificio Muntadas, c/Bergadá, 1, Of. A6 08820 El Prat de Llobregat (Barcelona)	Tel. 934 797 400 Fax 934 797 419 respuesta.postventa@sbdinc.com www.stanleyworks.es
France	Stanley Fat Max 5 allée des Hêtres B.P. 30084 69579 Limonest Cédex	Tel. 04 72 20 39 20 Fax 04 72 20 39 00 www.stanleyouillage.fr
Helvetia	Stanley Fat Max In der Luberzen 40 8902 Urdorf	Tel. 01 730 67 47 Fax 01 730 70 67 www.stanleyworks.de
Italia	Stanley Fat Max EnergyPark-Building 03 sud, Via Monza 7/A 20871 Vimercate (MB)	Tel. 039-9590200 Fax 039-9590313 www.stanley.it
Nederland	Stanley Fat Max Joulehof 12, 4600 RG Bergen op Zoom	Tel. +31 164 283 065 Fax +31 164 283 200 Enduser.NL@SBDinc.com
Norge	Stanley Fat Max Postboks 4613, Nydalen 0405 Oslo	Tlf. 45 25 13 00 Fax 45 25 08 00
Österreich	Stanley Fat Max Oberlaaerstraße 248, A-1230 Wien	Tel. 01 66116-0 Fax 01 66116-614 www.stanleyworks.de
Portugal	Stanley Fat Max Centro de Escritórios de Sintra Avenida Almirante Gago Coutinho, 132/134, Edifício 142710-418 Sintra 2710-418 Lisboa	Tel. 214667500 Fax 214667575 resposta.posvenda@sbdinc.com
Suomi	Stanley Fat Max Tekniikkatie 12, 02150 Espoo	Puh. 010 400 430 Faksi 0800 411 340 www.stanleyworks.fi
Sverige	Stanley Fat Max Box 94, 431 22 Mölndal	Tel. 031-68 61 00 Fax 031-68 60 08
Türkiye	Stanley Fat Max KALE Hırdavat ve Makina A.Ş. Defterdar Mah. Savaklar Cad. No:15 Edirnekapı / Eyüp / İSTANBUL 34050	Puh. 0212 533 52 55 Faks 0212 533 10 05 www.stanleyworks.fi
United Kingdom	Stanley Fat Max 210 Bath Road Slough, Berkshire SL1 3YD	Tel. +44 (0)1753 511234 Fax +44 (0)1753 551155 www.stanleytools.co.uk
Middle East & Africa	Stanley Fat Max P.O.Box - 17164 Jebel Ali (South Zone), Dubai, UAE	Tel. +971 4 8127400 Fax +971 4 8127036 www.stanleyworks.ae