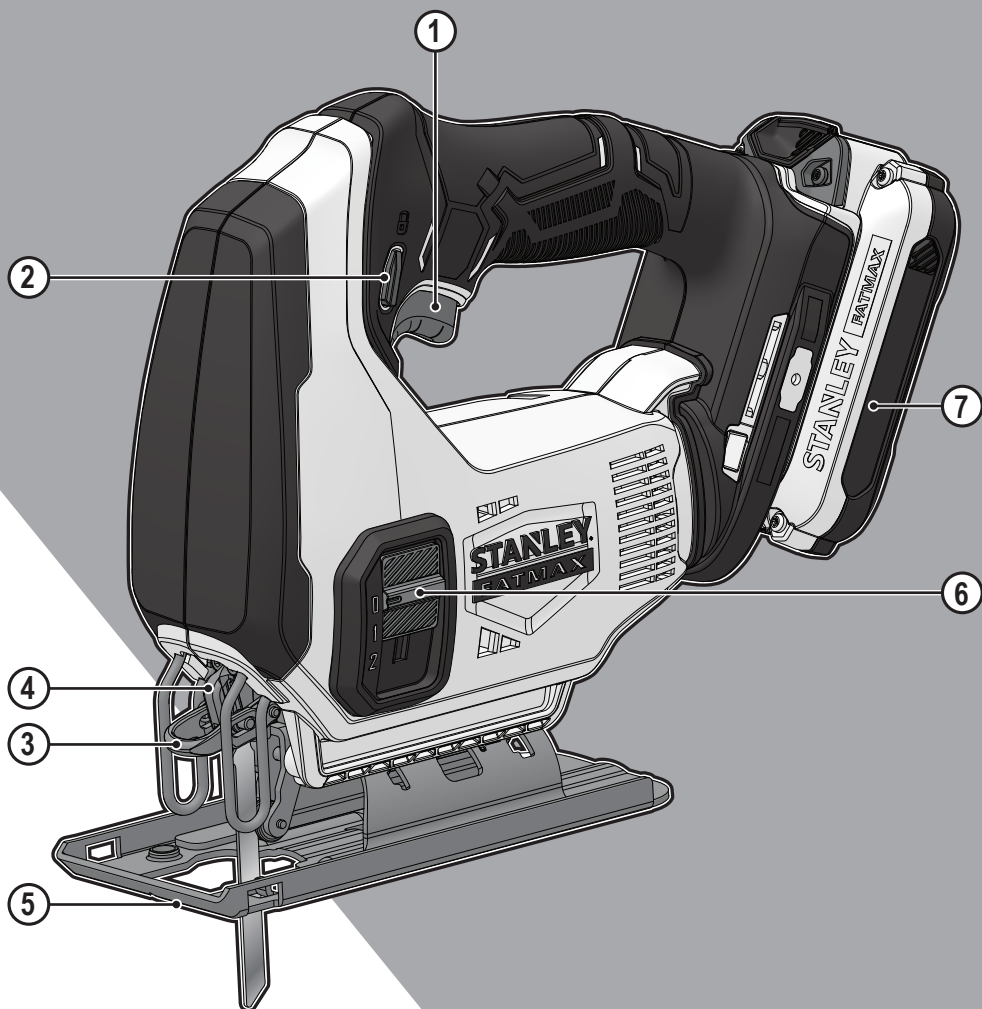


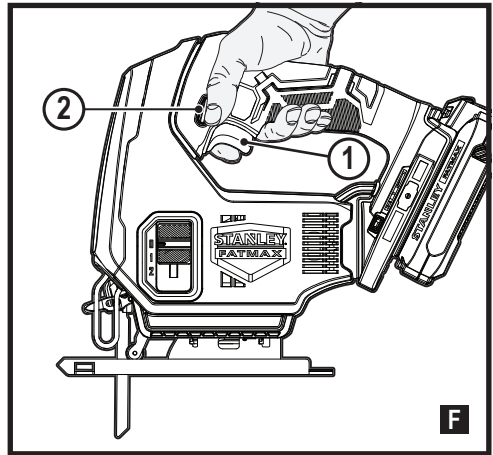
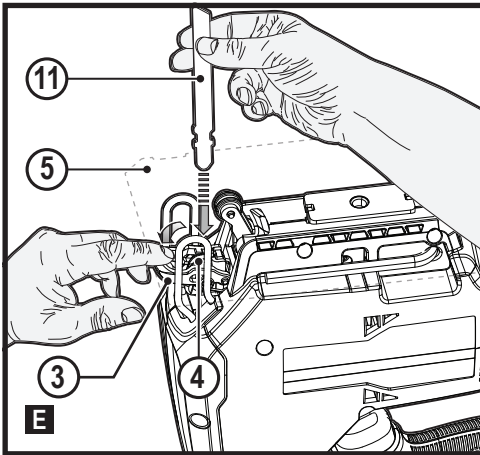
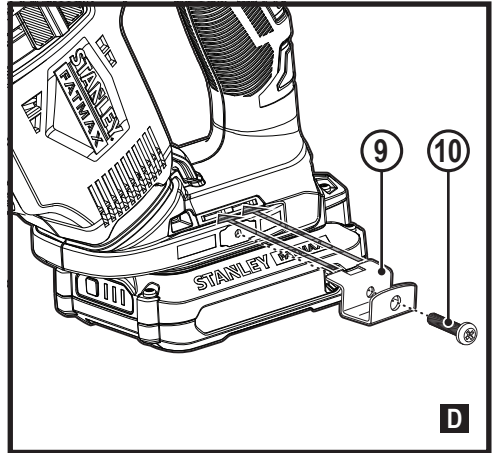
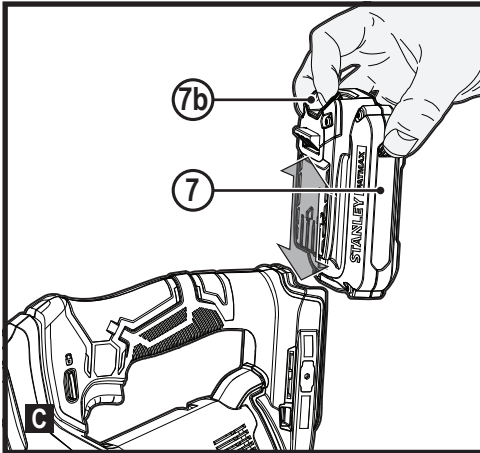
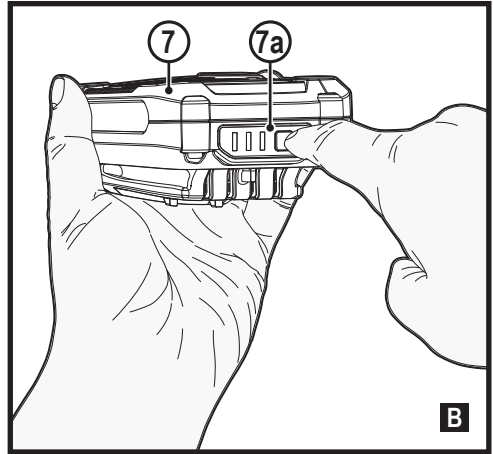
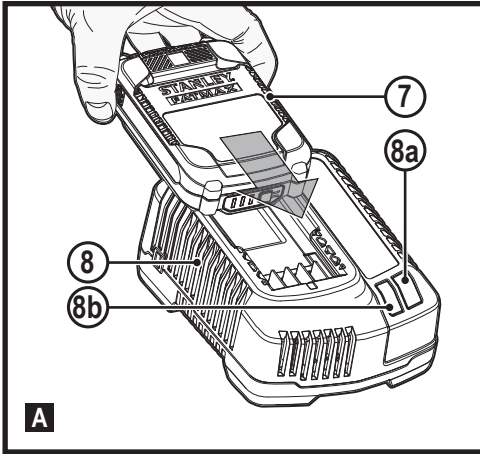
# STANLEY<sup>®</sup> FATMAX<sup>®</sup> V20 LITHIUM ION

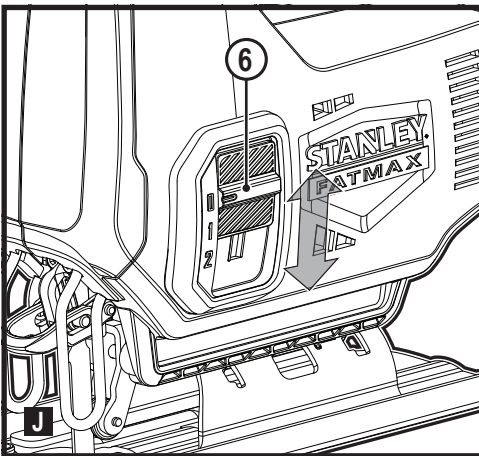
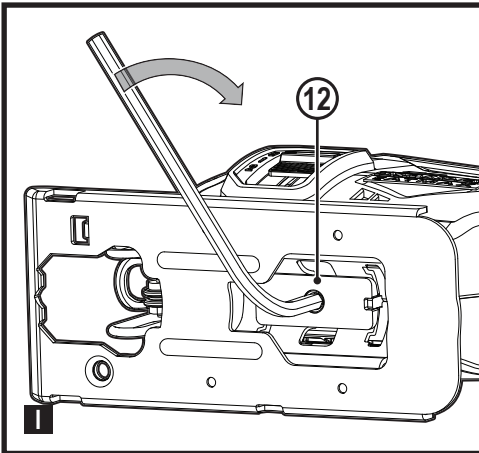
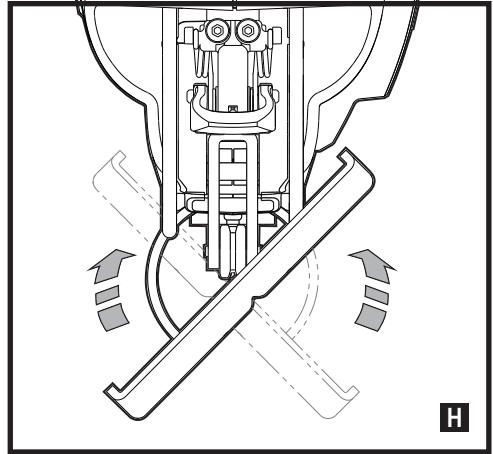
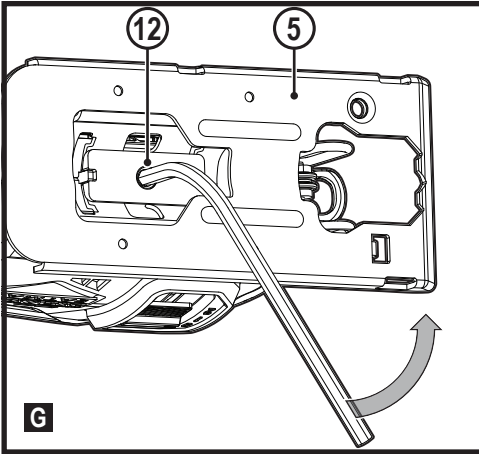


[www.stanleytools.com.au](http://www.stanleytools.com.au)  
[www.stanleytools.co.nz](http://www.stanleytools.co.nz)

SFMCS600







**Intended use**

Your STANLEY FATMAX SFMCS600 jig saw has been designed for sawing wood, plastics and sheet metal. This tool is intended for professional and private, non professional users.

**Safety instructions**

**General power tool safety warnings**



**Warning! Read all safety warnings, instructions, illustrations and specifications provided with this power tool.** Failure to follow all instructions listed below may result in electric shock, fire and/or serious injury.

**Save all warnings and instructions for future reference.**

The term "power tool" in the warnings refers to your mains-operated (corded) power tool or battery-operated (cordless) power tool.

1. **Work area safety**
  - a. **Keep work area clean and well lit.** Cluttered or dark areas invite accidents.
  - b. **Do not operate power tools in explosive atmospheres, such as in the presence of flammable liquids, gases or dust.** Power tools create sparks which may ignite the dust or fumes.
  - c. **Keep children and bystanders away while operating a power tool.** Distractions can cause you to lose control.
  
2. **Electrical safety**
  - a. **Power tool plugs must match the outlet. Never modify the plug in any way.**  
Do not use any adapter plugs with earthed (grounded)

- power tools.** Unmodified plugs and matching outlets will reduce risk of electric shock.
- b. **Avoid body contact with earthed or grounded surfaces such as pipes, radiators, ranges and refrigerators.** There is an increased risk of electric shock if your body is earthed or grounded.
  - c. **Do not expose power tools to rain or wet conditions.** Water entering a power tool will increase the risk of electric shock.
  - d. **Do not abuse the cord. Never use the cord for carrying, pulling or unplugging the power tool. Keep cord away from heat, oil, sharp edges or moving parts.** Damaged or entangled cords increase the risk of electric shock.
  - e. **When operating a power tool outdoors, use an extension cord suitable for outdoor use.** Use of a cord suitable for outdoor use reduces the risk of electric shock.
  - f. **If operating a power tool in a damp location is unavoidable, use a residual current device (RCD) protected supply.** Use of an RCD reduces the risk of electric shock.
3. **Personal safety**
    - a. **Stay alert, watch what you are doing and use common sense when operating a power tool.**  
**Do not use a power tool while you are tired or under the influence of drugs, alcohol or medication.** A moment of inattention while operating power tools may result in serious personal injury.
    - b. **Use personal protective equipment. Always wear eye protection.** Protective equipment such as dust mask, non-skid safety shoes, hard hat, or hearing protection used for appropriate conditions will reduce personal injuries.
    - c. **Prevent unintentional starting. Ensure the switch is in the off-position before connecting to power source and/or battery pack, picking up or carrying the tool.** Carrying power tools with your finger on the switch or energising power tools that have the switch on invites accidents.
    - d. **Remove any adjusting key or wrench before turning the power tool on.** A wrench or a key left attached to a rotating part of the power tool may result in personal injury.
    - e. **Do not overreach. Keep proper footing and balance at all times.** This enables better control of the power tool in unexpected situations.
    - f. **Dress properly. Do not wear loose clothing or jewellery. Keep your hair and clothing away from moving parts.** Loose clothes, jewellery or long hair can be caught in moving parts.
  - g. **If devices are provided for the connection of dust extraction and collection facilities, ensure these are connected and properly used.** Use of dust collection can reduce dust-related hazards.
  - h. **Do not let familiarity gained from frequent use of tools allow you to become complacent and ignore tool safety principles.** A careless action can cause severe injury within a fraction of a second.
4. **Power tool use and care**
    - a. **Do not force the power tool. Use the correct power tool for your application.**  
The correct power tool will do the job better and safer at the rate for which it was designed.
    - b. **Do not use the power tool if the switch does not turn it on and off.** Any power tool that cannot be controlled with the switch is dangerous and must be repaired.
    - c. **Disconnect the plug from the power source and/or remove the battery pack, if detachable, from the power tool before making any adjustments, changing accessories, or storing power tools.** Such preventive safety measures reduce the risk of starting the power tool accidentally.
    - d. **Store idle power tools out of the reach of children and do not allow persons unfamiliar with the power tool or these instructions to operate the power tool.** Power tools are dangerous in the hands of untrained users.
    - e. **Maintain power tools and accessories. Check for misalignment or binding of moving parts, breakage of parts and any other condition that may affect the power tools operation. If damaged, have the power tool repaired before use.** Many accidents are caused by poorly maintained power tools.
    - f. **Keep cutting tools sharp and clean.** Properly maintained cutting tools with sharp cutting edges are less likely to bind and are easier to control.
    - g. **Use the power tool, accessories and tool bits etc. in accordance with these instructions, taking into account the working conditions and the work to be performed.**  
Use of the power tool for operations different from those intended could result in a hazardous situation.
    - h. **Keep handles and grasping surfaces dry, clean and free from oil and grease.** Slippery handles and grasping surfaces do not allow for safe handling and control of the tool in unexpected situations.
  5. **Battery tool use and care**
    - a. **Recharge only with the charger specified by the manufacturer.** A charger that is suitable for one type of battery pack may create a risk of fire when used with another battery pack.

- b. **Use power tools only with specifically designated battery packs.** Use of any other battery packs may create a risk of injury and fire.
  - c. **When battery pack is not in use, keep it away from other metal objects, like paper clips, coins, keys, nails, screws, or other small metal objects, that can make a connection from one terminal to another.** Shorting the battery terminals together may cause burns or a fire.
  - d. **Under abusive conditions, liquid may be ejected from the battery; avoid contact. If contact accidentally occurs, flush with water. If liquid contacts eyes, additionally seek medical help.** Liquid ejected from the battery may cause irritation or burns.
  - e. **Do not use a battery pack or tool that is damaged or modified.** Damaged or modified batteries may exhibit unpredictable behaviour resulting in fire, explosion or risk of injury.
  - f. **Do not expose a battery pack or tool to fire or excessive temperature.** Exposure to fire or temperature above 130 °C may cause explosion.
  - g. **Follow all charging instructions and do not charge the battery pack or tool outside the temperature range specified in the instructions.** Charging improperly or at temperatures outside the specified range may damage the battery and increase the risk of fire.
- 6. Service**
- a. **Have your power tool serviced by a qualified repair person using only identical replacement parts.**  
This will ensure that the safety of the power tool is maintained
  - b. **Never service damaged battery packs.** Service of battery packs should only be performed by the manufacturer or authorized service providers.

## Additional power tool safety warnings



**Warning!** Additional safety warnings for jig saws and reciprocating saws

- ◆ **Hold the power tool by insulated gripping surfaces, when performing an operation where the cutting accessory may contact hidden wiring.** Cutting accessory contacting a "live" wire may make exposed metal parts of the power tool "live" and could give the operator an electric shock.
- ◆ **Use clamps or another practical way to secure and support the workpiece to a stable platform.** Holding the work by hand or against your body leaves it unstable and may lead to loss of control.
- ◆ **Keep hands away from cutting area.** Never reach underneath the work piece any reason. Do not insert

fingers or thumb into the vicinity of the reciprocating blade and blade clamp. Do not stabilize the saw by gripping the shoe.

- ◆ **Keep blades sharp.** Dull or damaged blades may cause the saw to swerve or stall under pressure. Always use the appropriate type of saw blade for the workpiece material and type of cut.
- ◆ **When cutting pipe or conduit, make sure that they are free from water, electrical wiring, etc.**
- ◆ **Do not touch the workpiece or the blade immediately after operating the tool.** They can become very hot.
- ◆ **Be aware of hidden hazards, before cutting into walls, floors or ceilings, check for the location of wiring and pipes.**
- ◆ **The blade will continue to move after releasing the switch.** Always switch the tool off and wait for the saw blade to come to a complete standstill before putting the tool down.

**Warning!** Contact with, or inhalation of dusts arising from cutting applications may endanger the health of the operator and possible bystanders. Wear a dust mask specifically designed for protection against dust and fumes and ensure that persons within or entering the work area are also protected.

- ◆ The intended use is described in this instruction manual.
- ◆ The use of any accessory or attachment or performance of any operation with this tool other than those recommended in this instruction manual may present a risk of personal injury and/or damage to property.

## Safety of others

- ◆ This tool is not intended for use by persons (including children) with reduced physical, sensory or mental capabilities, or lack of experience and knowledge, unless they have been given supervision or instruction concerning use of the appliance by a person responsible for their safety.
- ◆ Children should be supervised to ensure that they do not play with the appliance.

## Residual risks

Additional residual risks may arise when using the tool which may not be included in the enclosed safety warnings. These risks can arise from misuse, prolonged use etc.

Even with the application of the relevant safety regulations and the implementation of safety devices, certain residual risks can not be avoided. These include:

- ◆ Injuries caused by touching any rotating/moving parts.
- ◆ Injuries caused when changing any parts, blades or accessories.
- ◆ Injuries caused by prolonged use of a tool. When using any tool for prolonged periods ensure you take regular breaks.
- ◆ Impairment of hearing.

- ◆ Health hazards caused by breathing dust developed when using your tool (example:- working with wood, especially oak, beech and MDF.)

### Vibration

The declared vibration emission values stated in the technical data and the declaration of conformity have been measured in accordance with a standard test method provided by EN 62841 and may be used for comparing one tool with another. The declared vibration emission value may also be used in a preliminary assessment of exposure.

**Warning!** The vibration emission value during actual use of the power tool can differ from the declared value depending on the ways in which the tool is used. The vibration level may increase above the level stated.

When assessing vibration exposure to determine safety measures required by 2002/44/EC to protect persons regularly using power tools in employment, an estimation of vibration exposure should consider, the actual conditions of use and the way the tool is used, including taking account of all parts of the operating cycle such as the times when the tool is switched off and when it is running idle in addition to the trigger time.

### Labels on tool

The following pictograms along with the date code are shown on the tool:



**Warning!** To reduce the risk of injury, the user must read the instruction manual.

### Additional safety instructions for batteries and chargers

#### Batteries

- ◆ Never attempt to open for any reason.
- ◆ Do not expose the battery to water.
- ◆ Do not store in locations where the temperature may exceed 40 °C.
- ◆ Charge only at ambient temperatures between 10 °C and 40 °C.
- ◆ Charge only using the charger provided with the tool.
- ◆ When disposing of batteries, follow the instructions given in the section "Protecting the environment".



**Do not attempt to charge damaged batteries.**

#### Chargers

- ◆ Use your STANLEY FATMAX charger only to charge the battery in the tool with which it was supplied. Other batteries could burst, causing personal injury and damage.

- ◆ Never attempt to charge non-rechargeable batteries.
- ◆ Have defective cords replaced immediately.
- ◆ Do not expose the charger to water.
- ◆ Do not open the charger.
- ◆ Do not probe the charger.



The charger is intended for indoor use only.



Read the instruction manual before use.

### Electrical safety



Your charger is double insulated; therefore no earth wire is required. Always check that the mains voltage corresponds to the voltage on the rating plate. Never attempt to replace the charger unit with a regular mains plug.

- ◆ If the supply cord is damaged, it must be replaced by the manufacturer or an authorised STANLEY FATMAX Service Centre in order to avoid a hazard.

### Features

This tool includes some or all of the following features.

1. Variable speed trigger switch
2. Lock-off button
3. Saw blade locking lever
4. Blade clamp
5. Shoe plate
6. Cutting action button
7. Battery

### Use



**Warning!** Let the tool work at its own pace. Do not overload.

### Charging the battery (Fig. A)

The battery needs to be charged before first use and whenever it fails to produce sufficient power on jobs that were easily done before.

The battery may become warm while charging; this is normal and does not indicate a problem.



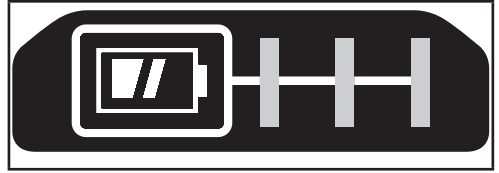
**Warning!** Do not charge the battery at ambient temperatures below 10 °C or above 40 °C.

Recommended charging temperature: approx. 24 °C.

**Note: The charger will not charge a battery if the cell temperature is below approximately 10 °C or above 40 °C. The battery should be left in the charger and the charger will begin to charge automatically when the cell temperature warms up or cools down.**

**Note:** To ensure maximum performance and life of lithium-ion battery packs, charge the battery pack fully before first use.

- Plug the charger (8) into an appropriate outlet before inserting battery pack (7).
- The green charging light (8a) will blink continuously indicating that the charging process has started.
- The completion of charge will be indicated by the green charging light (8a) remaining ON continuously. The battery pack (7) is fully charged and may be removed and used at this time or left in the charger (8).
- Charge discharged batteries within 1 week. Battery life will be greatly diminished if stored in a discharged state.



**Installing and Removing the Battery Pack from the tool**



**Warning!** Make certain the lock-off button is engaged to prevent switch actuation before removing or installing battery.

**To install battery pack (Fig. C)**

- Insert battery pack firmly into tool until an audible click is heard as shown in figure C. Ensure battery pack is fully seated and fully latched into position.

**To remove battery pack (Fig. C)**

- Depress the battery release button (7b) as shown in figure C and pull battery pack out of tool.

**Storage hook (Optional extra) (Fig. D)**



**Warning!** To reduce the risk of serious personal injury, place the forward/reverse button in the lock-off position or turn tool off and disconnect battery pack before making any adjustments or removing/installing attachments or accessories. An accidental start-up can cause injury.



**Warning!** To reduce the risk of serious personal injury, ensure the screw (10) holding the storage hook is secure.

**Note:** When attaching or replacing the storage hook (9), use only the screw (10) that is provided. Be sure to securely tighten the screw.

If the hook is not desired at all, it can be removed from the tool.

To move the storage hook, remove the screw (10) that holds the storage hook (9) in place.

**Note:** Various trackwall hooks and storage configurations are available.

Please visit our website [www.stanleytools.eu/3](http://www.stanleytools.eu/3) for further information.

**Assembly**



**Warning!** Before assembly, remove the battery from the tool and make sure that the saw blade has stopped. Used saw blades may be hot.

**Charger LED Modes**

	<b>Charging:</b> Green LED Intermittent	
	<b>Fully Charged:</b> Green LED Solid	
	<b>Hot/Cold Pack Delay:</b> Green LED Intermittent Red LED Solid	

**Note:** The compatible charger(s) will not charge a faulty battery pack. The charger will indicate a faulty battery pack by refusing to light.

**Note:** This could also mean a problem with a charger. If the charger indicates a problem, take the charger and battery pack to be tested at an authorized service centre.

**Leaving the battery in the charger**

The charger and battery pack can be left connected with the LED glowing indefinitely. The charger will keep the battery pack fresh and fully charged.

**Hot/Cold Pack Delay**

When the charger detects a battery that is too hot or too cold, it automatically starts a Hot/Cold Pack Delay, the green LED (8a) will flash intermittently, while the red LED (8b) will remain on continuously, sus2019-10-22 charging until the battery has reached an appropriate temperature. The charger then automatically switches to the pack charging mode. This feature ensures maximum battery life.

**Battery state of charge indicator (Fig. B)**

The battery includes a state of charge indicator to quickly determine the extent of battery life as shown in figure B. By pressing the state of charge button (7a) you can easily view the charge remaining in the battery as illustrated in figure B.



### Fitting and removing the saw blade (Fig. E)

- Hold the saw blade (11) with the teeth facing forward.
- Push the saw blade locking lever (3) downwards.
- Insert the shank of the blade fully into the blade clamp (4) as far as it will go.
- Release the lever.
- To remove saw blade (11), push the saw blade locking lever (3) downwards and pull the blade out.



**Warning!** The blade may become hot after use. Always wear gloves when removing a blade.

### Switching on and off (Fig. F)

- To switch on, slide the lock off switch (2) to the left then pull and hold the variable speed trigger switch (1).
- To switch off, release the trigger switch (1).



**Warning!** Do not switch the tool on or off while under load.



**Warning!** Always slide the lock off switch (2) to the right, the locked position when the tool is not in use.

### Variable speed control

The variable speed on/off switch offers a choice of speeds for greatly improved cutting rates in various materials.

- The speed is determined by the amount the trigger switch (1) is pulled.

### Bevel cutting (Fig. G, H & I)

The shoe plate can be set to a left or right bevel angle of 45°.

#### To set the bevel angle:

- Loosen the shoe retaining bolt (12) with the hex key provided to unlock the shoe plate (5).
- Slide the shoe plate (5) forward to release it from the 0° detent.
- Rotate the shoe plate to the desired bevel angle (Fig. H).
- Slide the shoe plate backwards to engage the left or right detent.
- Tighten the shoe retaining bolt (12) with the hex key provided to lock the shoe plate (5) in the required position.

**Note:** The shoe can be beveled to the left or to the right and has detents at 45°.

### Cutting action (Fig. J)

This jigsaw is equipped with three cutting actions, two orbital and one straight. Orbital action has a more aggressive blade motion and is designed for cutting in soft materials like wood or plastic. Orbital action provides a faster cut, but with a less smooth cut across the material. In orbital action, the blade moves forward during the cutting stroke in addition to the up and down motion.



**Warning!** Metal or hardwoods should never be cut in orbital action.

- Slide the cutting action button (6) between the three cutting positions: 0, 1 and 2.
- Position 0 is for straight cutting.
- Positions 1 and 2 are for orbital cutting.
- The aggressiveness of the cut increases as the lever is adjusted from one to two, with two being the most aggressive cut.

### Sawing

- Always hold the tool with both hands.
- Let the blade run freely for a few seconds before starting the cut.
- Apply only a gentle pressure to the tool while performing the cut.
- If possible, work with the shoe plate (5) pressed against the workpiece. This will improve tool control and reduce tool vibration, as well as prevent the blade from being damaged.

### Hints for optimum use

#### General

- Use a high speed for wood, a medium speed for aluminium and PVC and a low speed for metals other than aluminium.

### Sawing laminates

As the saw blade cuts on the upward stroke, splintering may occur on the surface closest to the shoe plate.

- Use a fine-tooth saw blade.
- Saw from the back surface of the workpiece.
- To minimise splintering, clamp a piece of scrap wood or hardboard to both sides of the workpiece and saw through this sandwich.

### Sawing metal

Be aware that sawing metal takes much more time than sawing wood.

- Use a saw blade suitable for sawing metal. Use a fine-tooth saw blade for ferrous metals and a coarser saw blade for non-ferrous metals.
- When cutting thin sheet metal, clamp a piece of scrap wood to the back surface of the workpiece and cut through this sandwich.
- Spread a film of oil along the intended line of cut.

### Accessories

The performance of your tool depends on the accessory used. STANLEY FATMAX accessories are engineered to high quality standards and designed to enhance the performance of your tool. By using these accessories you will get the very best from your tool.

This tool is suitable both for U-shank and T-shank saw blades.

**Maintenance**

Your tool has been designed to operate over a long period of time with a minimum of maintenance. Continuous satisfactory operation depends upon proper tool care and regular cleaning.

**Warning!** Before performing any maintenance, switch off and unplug the tool.

- Regularly clean the ventilation slots in your tool and charger using a soft brush or dry cloth.
- Regularly clean the motor housing using a damp cloth. Do not use any abrasive or solvent-based cleaner.
- Occasionally apply a drop of oil to the axle of the blade support roller.

**Protecting the environment**



Separate collection. Products and batteries marked with this symbol must not be disposed of with normal household waste.

Products and batteries contain materials that can be recovered or recycled reducing the demand for raw materials. Please recycle electrical products and batteries according to local provisions. Further information is available at [www.2helpU.com](http://www.2helpU.com)

**Technical data**

		SFMC600 (H1)
Voltage	V <sub>dc</sub>	18
No-load speed	min <sup>-1</sup>	0 - 2500
Stroke length	mm	19
Max depth of cut		
Wood	mm	55
Steel	mm	8
Aluminium	mm	20
Weight	kg	2.62

Charger		SFMCB11	SFMCB12	SFMCB14
Input Voltage	V <sub>AC</sub>	230	230	230
Output Voltage	V <sub>DC</sub>	18	18	18
Current	A	1.25	2	4

Battery		SFMCB201	SFMCB202	SFMCB204	SFMCB206
Voltage	V <sub>DC</sub>	18	18	18	18
Capacity	Ah	1.5	2.0	4.0	6.0
Type		Li-Ion	Li-Ion	Li-Ion	Li-Ion

Level of sound pressure according to EN62841:
Sound pressure (L <sub>PA</sub> ) 82 dB(A), uncertainty (K) 5 dB(A)
Sound power (L <sub>WA</sub> ) 93 dB(A), uncertainty (K) 5 dB(A)

Vibration total values (triax vector sum) according to EN62841:
Cutting boards (a <sub>h, B</sub> ) 6.3 m/s <sup>2</sup> , uncertainty (K) 1.5 m/s <sup>2</sup>
Cutting sheet metal (a <sub>h, M</sub> ) 8.8 m/s <sup>2</sup> , uncertainty (K) 1.5 m/s <sup>2</sup>

**EC declaration of conformity**

MACHINERY DIRECTIVE



Cordless Jigsaw - SFMC600

Stanley Fatmax declares that these products described under "technical data" are in compliance with: 2006/42/EC, EN62841-1:2015, EN62841-2-11:2016+A1:2020.

These products also comply with Directive 2014/30/EU and 2011/65/EU. For more information, please contact Stanley Fatmax at the following address or refer to the back of the manual.

The undersigned is responsible for compilation of the technical file and makes this declaration on behalf of

Stanley Fatmax.

*Patrick Diepenbach*

Patrick Diepenbach  
 General Manager, Benelux  
 Stanley Fatmax,  
 Egide Walschaertsstraat 14-18  
 2800 Mechelen, Belgium  
 22/07/2022



Australia & New Zealand  
Stanley Black & Decker  
[www.stanleytools.com.au](http://www.stanleytools.com.au)  
[www.stanleytools.co.nz](http://www.stanleytools.co.nz)  
Tel.1800 338 002 (Aust) or Tel. 0800 339 258 (NZ)  
810 Whitehorse Road Box Hill VIC 3128, Australia