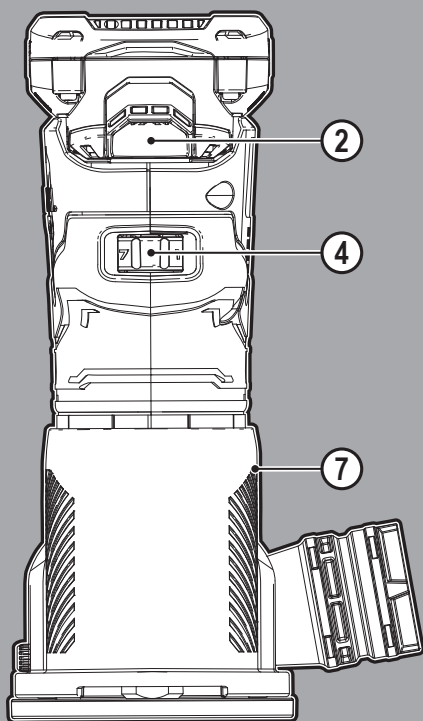
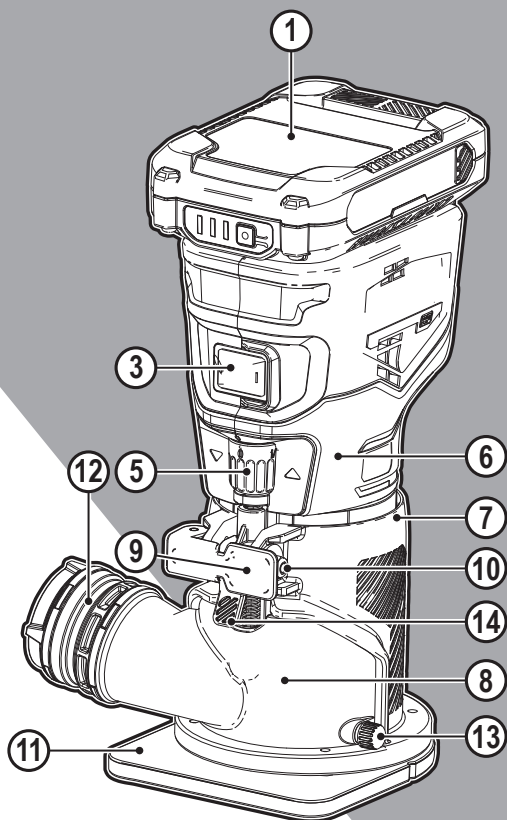


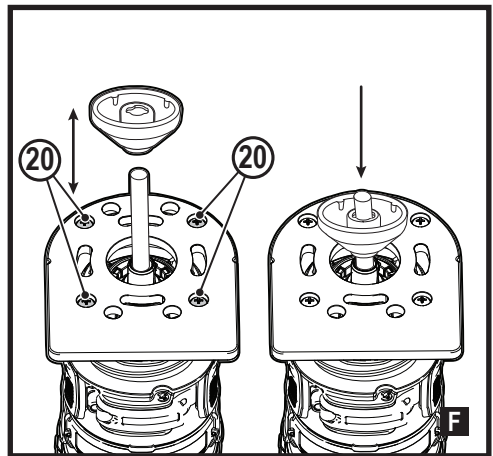
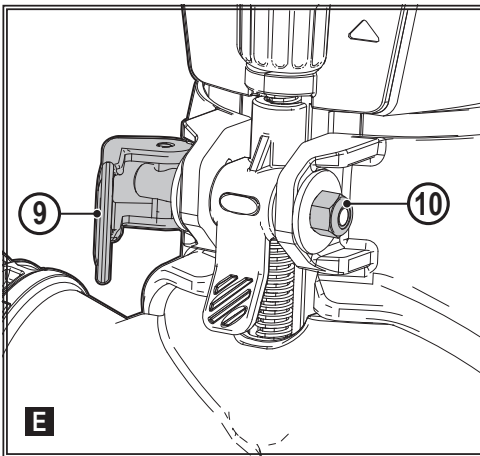
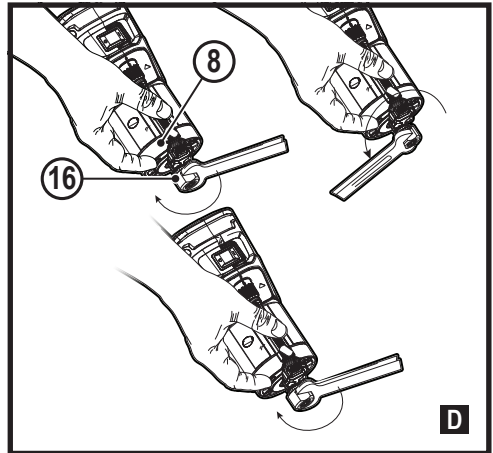
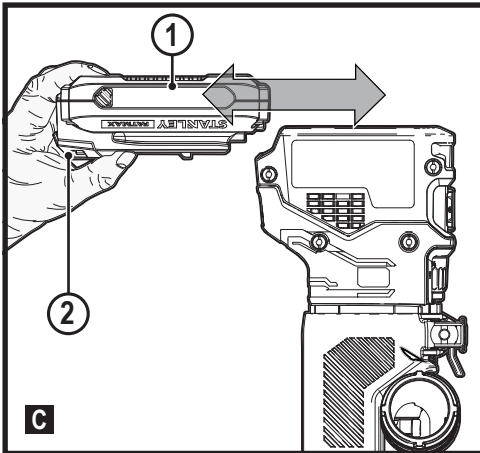
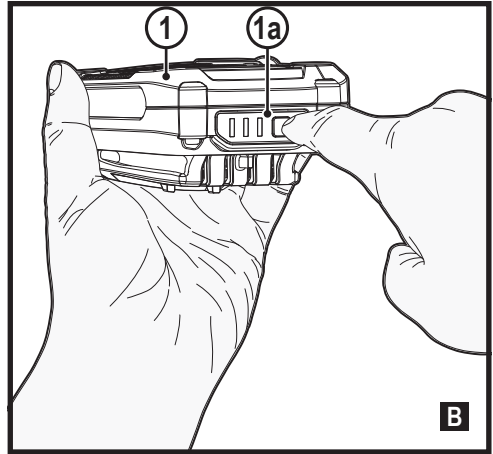
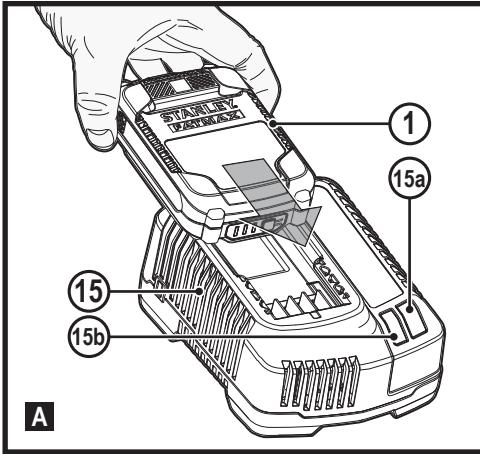
STANLEY®

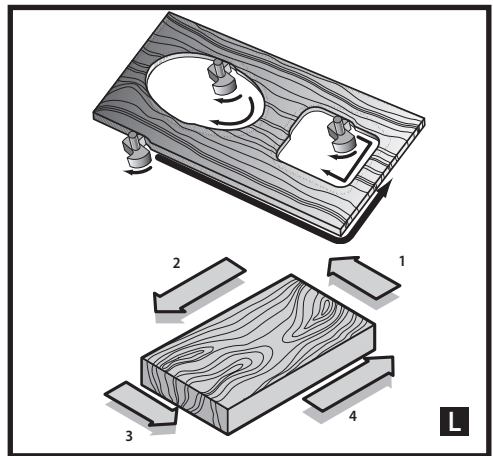
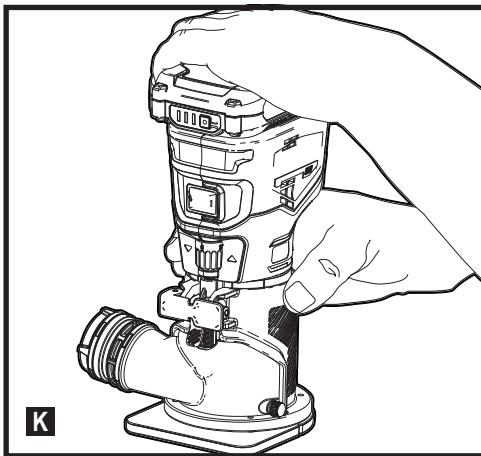
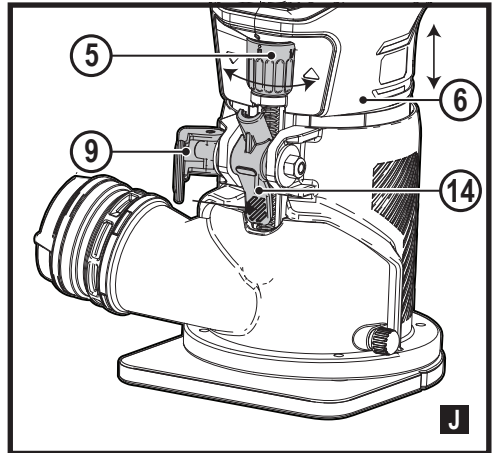
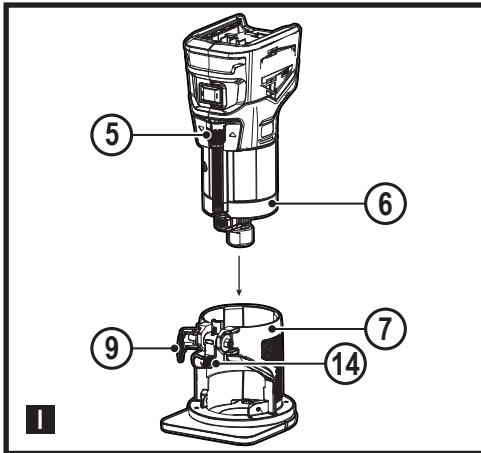
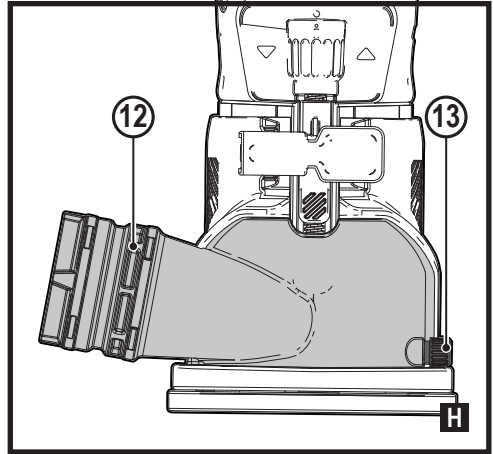
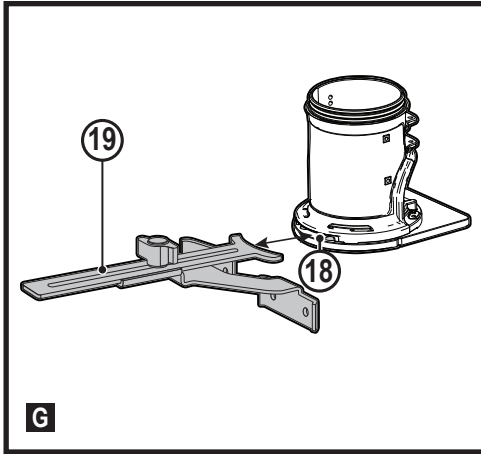
FATMAX®



www.stanleytools.com.au
www.stanleytools.co.nz

SFMCW400





Intended use

Your STANLEYFATMAX SFMCW400 router has been designed for routing wood and wood products. This tool is intended for professional and private, non-professional users.

Safety instructions

General power tool safety warnings



Warning! Read all safety warnings, instructions, illustrations and specifications provided with this power tool. Failure to follow all instructions listed below may result in electric shock, fire and/or serious injury.

Save all warnings and instructions for future reference.

The term "power tool" in the warnings refers to your mains-operated (corded) power tool or battery-operated (cordless) power tool.

1. **Work area safety**
 - a. **Keep work area clean and well lit.** Cluttered or dark areas invite accidents.
 - b. **Do not operate power tools in explosive atmospheres, such as in the presence of flammable liquids, gases or dust.** Power tools create sparks which may ignite the dust or fumes.
 - c. **Keep children and bystanders away while operating a power tool.** Distractions can cause you to lose control.
2. **Electrical safety**
 - a. **Power tool plugs must match the outlet. Never modify the plug in any way.**
Do not use any adapter plugs with earthed (grounded) power tools. Unmodified plugs and matching outlets will reduce risk of electric shock.
 - b. **Avoid body contact with earthed or grounded surfaces such as pipes, radiators, ranges and refrigerators.** There is an increased risk of electric shock if your body is earthed or grounded.
 - c. **Do not expose power tools to rain or wet conditions.** Water entering a power tool will increase the risk of electric shock.
 - d. **Do not abuse the cord. Never use the cord for carrying, pulling or unplugging the power tool. Keep cord away from heat, oil, sharp edges or moving parts.** Damaged or entangled cords increase the risk of electric shock.
 - e. **When operating a power tool outdoors, use an extension cord suitable for outdoor use.** Use of a cord suitable for outdoor use reduces the risk of electric shock.
 - f. **If operating a power tool in a damp location is unavoidable, use a residual current device (RCD) protected supply.** Use of an RCD reduces the risk of electric shock.
3. **Personal safety**
 - a. **Stay alert, watch what you are doing and use common sense when operating a power tool. Do not use a power tool while you are tired or under the influence of drugs, alcohol or medication.** A moment of inattention while operating power tools may result in serious personal injury.
 - b. **Use personal protective equipment. Always wear eye protection.** Protective equipment such as a dust mask, non-skid safety shoes, hard hat or hearing protection used for appropriate conditions will reduce personal injuries.
 - c. **Prevent unintentional starting. Ensure the switch is in the off-position before connecting to power source and/or battery pack, picking up or carrying the tool.** Carrying power tools with your finger on the switch or energising power tools that have the switch on invites accidents.
 - d. **Remove any adjusting key or wrench before turning the power tool on.** A wrench or a key left attached to a rotating part of the power tool may result in personal injury.
 - e. **Do not overreach. Keep proper footing and balance at all times.** This enables better control of the power tool in unexpected situations.
 - f. **Dress properly. Do not wear loose clothing or jewellery. Keep your hair and clothing away from moving parts.** Loose clothes, jewellery or long hair can be caught in moving parts.
 - g. **If devices are provided for the connection of dust extraction and collection facilities, ensure these are connected and properly used.** Use of dust collection can reduce dust-related hazards.
 - h. **Do not let familiarity gained from frequent use of tools allow you to become complacent and ignore tool safety principles.** A careless action can cause severe injury within a fraction of a second.
4. **Power tool use and care**
 - a. **Do not force the power tool. Use the correct power tool for your application.** The correct power tool will do the job better and safer at the rate for which it was designed.
 - b. **Do not use the power tool if the switch does not turn it on and off.** Any power tool that cannot be controlled with the switch is dangerous and must be repaired.
 - c. **Disconnect the plug from the power source and/or remove the battery pack, if detachable, from the power tool before making any adjustments, changing accessories, or storing power tools.** Such preventive safety measures reduce the risk of starting the power tool accidentally.

- d. **Store idle power tools out of the reach of children and do not allow persons unfamiliar with the power tool or these instructions to operate the power tool.** Power tools are dangerous in the hands of untrained users.
- e. **Maintain power tools and accessories. Check for misalignment or binding of moving parts, breakage of parts and any other condition that may affect the power tool's operation. If damaged, have the power tool repaired before use.** Many accidents are caused by poorly maintained power tools.
- f. **Keep cutting tools sharp and clean.** Properly maintained cutting tools with sharp cutting edges are less likely to bind and are easier to control.
- g. **Use the power tool, accessories and tool bits etc. in accordance with these instructions, taking into account the working conditions and the work to be performed.**

Use of the power tool for operations different from those intended could result in a hazardous situation.

- h. **Keep handles and grasping surfaces dry, clean and free from oil and grease.** Slippery handles and grasping surfaces do not allow for safe handling and control of the tool in unexpected situations.

5. Battery tool use and care

- a. **Recharge only with the charger specified by the manufacturer.** A charger that is suitable for one type of battery pack may create a risk of fire when used with another battery pack.
- b. **Use power tools only with specifically designated battery packs.** Use of any other battery packs may create a risk of injury and fire.
- c. **When battery pack is not in use, keep it away from other metal objects, like paper clips, coins, keys, nails, screws, or other small metal objects, that can make a connection from one terminal to another.** Shorting the battery terminals together may cause burns or a fire.
- d. **Under abusive conditions, liquid may be ejected from the battery; avoid contact. If contact accidentally occurs, flush with water. If liquid contacts eyes, additionally seek medical help.** Liquid ejected from the battery may cause irritation or burns.
- e. **Do not use a battery pack or tool that is damaged or modified.** Damaged or modified batteries may exhibit unpredictable behaviour resulting in fire, explosion or risk of injury.
- f. **Do not expose a battery pack or tool to fire or excessive temperature.** Exposure to fire or temperature above 130 °C may cause explosion.

Note: The temperature „130 °C“ can be replaced by the temperature „265 °F“.

- g. **Follow all charging instructions and do not charge the battery pack or tool outside the temperature range specified in the instructions.** Charging improperly or at temperatures outside the specified range may damage the battery and increase the risk of fire.

6. Service

- a. **Have your power tool serviced by a qualified repair person using only identical replacement parts.** This will ensure that the safety of the power tool is maintained.
- b. **Never service damaged battery packs.** Service of battery packs should only be performed by the manufacturer or authorized service providers.

Additional power tool safety warnings for routers.

- ◆ Use clamps or another practical way to secure and support the workpiece to a stable platform. Holding the work by your hand or against the body leaves it unstable and may lead to loss of control.
- ◆ Only use router bits with a shank diameter equal to the size of the collet installed in the tool.
- ◆ Only use router bits suitable for the no-load speed of the tool.
- ◆ Never use router bits with a diameter exceeding the maximum diameter specified in the technical data section.
- ◆ Do not use the tool in an inverted position.
- ◆ Do not attempt to use the tool in a stationary mode.
- ◆ Make special care when routing MDF or surfaces coated with lead-based paint.
- ◆ Wear a dust mask specifically designed for protection against lead paint dust and fumes and ensure that persons within or entering the work area are also protected.
- ◆ Do not let children or pregnant women enter the work area.
- ◆ Do not eat, drink or smoke in the work area.
- ◆ Dispose of dust particles and any other debris safely.
- ◆ Always wear a dust mask.
- ◆ This appliance is not intended for use by young or infirm persons without supervision. Children must be supervised to ensure they do not play with the appliance.

Residual risks.

Even with the application of the relevant safety regulations and the implementation of safety devices, certain residual risks can not be avoided. These include:

- ◆ Injuries caused by touching any rotating/moving parts.
- ◆ Impairment of hearing.

- ◆ Risk of injury when changing any parts, or accessories.
- ◆ Health hazards caused by breathing dust developed when sawing wood, especially oak, beech and MDF.
- ◆ Injuries caused by prolonged use of a tool.
When using any tool for prolonged periods ensure you take regular breaks.

Safety of others

- ◆ This appliance is not intended for use by persons (including children) with reduced physical, sensory or mental capabilities, or lack of experience and knowledge, unless they have been given supervision or instruction concerning use of the appliance by a person responsible for their safety.
- ◆ Children should be supervised to ensure that they do not play with the appliance.

Vibration

The declared vibration emission values stated in the technical data and the declaration of conformity have been measured in accordance with a standard test method provided by EN 62841 and may be used for comparing one tool with another. The declared vibration emission value may also be used in a preliminary assessment of exposure.

Warning! The vibration emission value during actual use of the power tool can differ from the declared value depending on the ways in which the tool is used. The vibration level may increase above the level stated. When assessing vibration exposure to determine safety measures required by 2002/44/EC to protect persons regularly using power tools in employment, an estimation of vibration exposure should consider, the actual conditions of use and the way the tool is used, including taking account of all parts of the operating cycle such as the times when the tool is switched off and when it is running idle in addition to the trigger time.

Labels on tool

The following pictograms along with the date code are shown on the tool:



Warning! To reduce the risk of injury, the user must read the instruction manual.



Wear safety glasses or goggles.



Wear ear protection.



Wear a dust mask.



Wear gloves when handling blades.



Do not stare at operating lamp

Additional safety instructions for batteries and chargers

Batteries

- ◆ Never attempt to open for any reason.
- ◆ Do not expose the battery to water.
- ◆ Do not store in locations where the temperature may exceed 40 °C.
- ◆ Charge only at ambient temperatures between 10 °C and 40 °C.
- ◆ Charge only using the charger provided with the tool.
- ◆ When disposing of batteries, follow the instructions given in the section "Protecting the environment".



Do not attempt to charge damaged batteries.

Chargers

- ◆ Use your Stanley Fat Max charger only to charge the battery in the tool with which it was supplied. Other batteries could burst, causing personal injury and damage. Never attempt to charge non-rechargeable batteries.
- ◆ Have defective cords replaced immediately.
- ◆ Do not expose the charger to water.
- ◆ Do not open the charger.
- ◆ Do not probe the charger.



The charger is intended for indoor use only.



Read the instruction manual before use.

Electrical safety



Your charger is double insulated; therefore no earth wire is required. Always check that the mains voltage corresponds to the voltage on the rating plate. Never attempt to replace the charger unit with a regular mains plug.

- ◆ If the supply cord is damaged, it must be replaced by the manufacturer or an authorised STANLEY FATMAX Service Centre in order to avoid a hazard.

Features

This tool includes some or all of the following features.

1. Battery pack
2. Battery release button
3. On/Off switch
4. Variable speed dial
5. Depth adjustment knob
6. Motor unit
7. Base unit
8. Spindle lock button

9. Locking lever
10. Locking lever adjustment nut
11. D-shaped subbase
12. Dust extraction system attachment accessory
13. Thumb screw
14. Motor release lever

Assembly

Warning! Before assembly, remove the battery from the tool.

Charging the battery (Fig. A)

The battery needs to be charged before first use and whenever it fails to produce sufficient power on jobs that were easily done before.

The battery may become warm while charging; this is normal and does not indicate a problem.




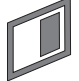


Warning! Do not charge the battery at ambient temperatures below 10 °C or above 40 °C. Recommended charging temperature: approx. 24 °C.

Note: The charger will not charge a battery if the cell temperature is below approximately 10 °C or above 40 °C. The battery should be left in the charger and the charger will begin to charge automatically when the cell temperature warms up or cools down.

Note: To ensure maximum performance and life of lithium-ion battery packs, charge the battery pack fully before first use.

- ◆ Plug the charger (15) into an appropriate outlet before inserting battery pack (1).
- ◆ The green charging light (15a) will blink continuously indicating that the charging process has started.
- ◆ The completion of charge will be indicated by the green charging light (15a) remaining ON continuously. The battery pack (1) is fully charged and may be removed and used at this time or left in the charger (15).
- ◆ Charge discharged batteries within 1 week. Battery life will be greatly diminished if stored in a discharged state.

Charger LED Modes

	Charging: Green LED Intermittent	
	Fully Charged: Green LED Solid	
	Hot/Cold Pack Delay: Green LED Intermittent Red LED Solid	

Note: The compatible charger(s) will not charge a faulty battery pack.

The charger will indicate a faulty battery pack by refusing to light.

Note: This could also mean a problem with a charger. If the charger indicates a problem, take the charger and battery pack to be tested at an authorized service centre.

Leaving the battery in the charger

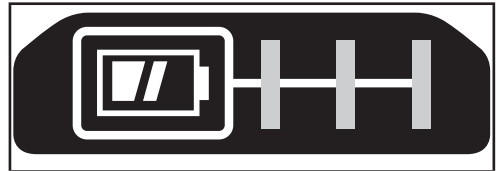
The charger and battery pack can be left connected with the LED glowing indefinitely. The charger will keep the battery pack fresh and fully charged.

Hot/Cold Pack Delay

When the charger detects a battery that is too hot or too cold, it automatically starts a Hot/Cold Pack Delay, the green LED (15a) will flash intermittently, while the red LED (15b) will remain on continuously, suspending charging until the battery has reached an appropriate temperature. The charger then automatically switches to the pack charging mode. This feature ensures maximum battery life.

Battery state of charge indicator (Fig. B)

The battery includes a state of charge indicator to quickly determine the extent of battery life as shown in figure B. By pressing the state of charge button (1a) you can easily view the charge remaining in the battery as illustrated in figure B.



Installing and Removing the Battery Pack from the tool

Warning! Make certain the lock-off button is engaged to prevent switch actuation before removing or installing battery.

To install battery pack (Fig. C)

- ◆ Insert battery pack (1) firmly into tool until an audible click is heard as shown in figure C. Ensure battery pack is fully seated and fully latched into position.

To remove battery pack (Fig. C)

- ◆ Depress the battery release button (2) as shown in figure C and pull battery pack out of tool.

Assembly and adjustments

Warning! To reduce the risk of serious personal injury, turn unit off and remove the battery pack before making any adjustments or removing/installing attachments or accessories. An accidental start-up can cause injury.

Bit installation and removal (Fig. D)

Warning! Projectile hazard. Only use bits with shanks that match the installed collet. Smaller shank bits will not be secure and could become loose during operation.

Warning! Never tighten the collet without first installing a router bit in it. Tightening an empty collet, even by hand, can damage the collet.

Warning! Do not use router bits with a cutting diameter in excess of 34.9 mm in this tool.

Warning! Do not use straight router bits with a diameter larger than 30mm.

To install the bit

- ◆ Remove the motor unit from the base unit. Refer to Removing the Motor from the Fixed Base (if needed).
- ◆ Clean and insert the round shank of the desired router bit into the loosened collet as far as it will go and then pull it out about 1.6 mm.
- ◆ Depress the spindle lock button (8) to hold the spindle shaft in place while turning the collet nut (16) clockwise with the wrench provided.

Note: The unit is equipped with two spindle lock detents.

Note: Tighten collet nut securely to prevent the bit from slipping.

To remove the bit

- ◆ Remove the motor unit from the base unit (refer to Removing the Motor from the Fixed Base/Removing the Motor from the Plunge Base).
- ◆ Depress the spindle lock button (8) to hold the spindle shaft in place while turning the collet nut (16) counterclockwise with the wrench provided.

Collets

Note: Never tighten the collet without first installing a router bit in it. Tightening an empty collet, even by hand, can damage the collet.

To change collet sizes, unscrew the collet assembly as described above.

Install the desired collet by reversing the procedure. The collet and the collet nut are connected. Do not attempt to remove the collet from the collet nut.

Locking lever adjustment (Fig. E)

Excessive force should not be used to clamp the locking lever. Using excessive force may damage the base.

When the locking lever is clamped, the motor should not move in the base.

Adjustment is needed if the locking lever will not clamp without excessive force or if the motor moves in the base after clamping.

To adjust the locking lever's clamping force:

- ◆ Open the locking lever (9) (base unit).
- ◆ Using the hex wrench provided, turn locking lever adjustment nut (10) in small increments. Turning the nut clockwise tightens the lever, while turning the nut anticlockwise loosens the lever.

Centering the subbase (Fig. F)

If you need to adjust, change, or replace a subbase, a centering tool is recommended. The centering tool consists of a cone and a pin.

- ◆ Loosen but do not remove the subbase screws (20) so the subbase moves freely.
- ◆ Insert the pin into the collet and tighten the collet nut.
- ◆ Insert the motor into the base unit and clamp the locking lever (9) on the base.
- ◆ Place the cone on the pin and lightly press down on the cone until it stops. This will center the subbase.
- ◆ While holding down on the cone, tighten the subbase screws.

Installing a fixed base edge guide (Fig. G)

Remove the motor unit from the base unit. Refer to Removing the Motor from the Fixed Base.

- ◆ Remove flat head screws from storage holes on edge guide.
- ◆ Slide edge guide (19) into edge guide slot (18) on side of base unit. Insert the two flat head screws through the appropriate holes in the subbase to secure the edge guide. Tighten hardware.
- ◆ Follow all instructions included with the edge guide.

Note: To remove the edge guide, reverse the above procedure. After removing edge guide, always replace the two flat head screws into the storage holes on the edge guide to prevent loss.

Attaching a dust extraction system to the Fixed base (Fig. H)

To connect the router to a dust extraction system for dust collection, follow these steps:

- ◆ Remove the motor unit (6) from the base unit. Refer to Removing the Motor from the Fixed Base.
- ◆ Attach dust extraction system attachment accessory (12) to the base unit as shown. Tighten thumb screw (13) securely by hand.
- ◆ Attach hose adapter to dust extraction system attachment accessory.
- ◆ When using dust extraction system attachment, be aware of the placement of the dust extraction system. Be sure that the dust extraction system is stable and that its hose will not interfere with the work.

Set-Up: Fixed base

Inserting the motor into the fixed base (Fig. I)

- ◆ Open the locking lever (9) on the base unit.
- ◆ Depress the motor release lever (14). While depressing motor release lever, lower motor unit (6) into the base unit (7) with depth adjust rod aligned to opening in the base unit.

- ◆ Adjust the depth of cut by rotating the depth adjustment knob (5). Refer to Adjusting the Depth of Cut.
- ◆ Close the locking lever when the desired depth is achieved.

Adjusting the depth of cut (Fig. J)

- ◆ Open the locking lever (9).
- ◆ Depress motor release lever (14) to freely slide the motor unit (6) up and down. Adjust the motor unit until the bit just touches the workpiece.
- ◆ Turn the depth adjustment knob (5) for small adjustments to ensure the bit touches the workpiece.

Note: Turning the knob right raises the motor unit. Turning the knob left lowers the motor unit.

Note: Each mark on the adjustment scale represents a depth change of 0.4 mm and one full (360°) turn of the ring changes the depth 1.6 mm.

- ◆ Close the locking lever to lock the base.

Removing the motor from the fixed base (Fig. J)

- ◆ Remove the battery pack from the motor unit. Refer to Installing and Removing the Battery Pack.
- ◆ Open the locking lever (9) on the base.
- ◆ Depress the motor release lever (14).
- ◆ With the other hand, grasp the base unit (7) and pull the motor unit (6) from the base unit.

Correct hand position (Fig. K)

Warning! To reduce the risk of serious personal injury, ALWAYS use proper hand position as shown.

Warning! To reduce the risk of serious personal injury, ALWAYS hold securely in anticipation of a sudden reaction. When using the fixed base, one hand should be on top of the battery and the other hand around the fixed base.

Starting and stopping the motor

Warning! Before starting the tool, clear the work area of all foreign objects. Also keep firm grip on tool to resist starting torque.

Warning! To avoid personal injury and/or damage to finished work, always allow the power unit to come to a COMPLETE STOP before putting the tool down.

- ◆ To turn the unit on, depress the side of the dust-protected switch (3) that has the symbol "I." To turn the unit off, depress the side of the switch that has the symbol "O."

Cutting with the fixed base

Set up the router to use the fixed base by following the instructions in the Assembly and Adjustments section. After the router is set-up, install the battery pack as shown in Fig. C, then set your router speed (refer to Choosing Router Speed).

Note: Always feed the router opposite to the direction in which the cutter is rotating.

Direction of feed (Fig. L)

The direction of feed is very important when routing and can make the difference between a successful job and a ruined project. The figures show the proper direction of feed for some typical cuts. A general rule to follow is to move the router in a counterclockwise direction on an outside cut and a clockwise direction on an inside cut.

Shape the outside edge of a piece of stock by following these steps:

- ◆ Shape the end grain, left to right.
- ◆ Shape the straight grain side moving left to right.
- ◆ Cut the other end grain side.
- ◆ Finish the remaining straight grain edge.

Choosing router speed

Refer to the Speed Selection Chart to choose a router speed. Turn the variable speed dial (4) to control router speed.

Soft start feature

The compact routers are equipped with electronics to provide a soft start feature that minimizes the start up torque of the motor.

Variable speed control

Warning! If the speed control ceases to operate, or is intermittent, stop using the tool immediately. Take it to a STANLEY FATMAX factory service center or a STANLEY FATMAX authorized service center for repair.

Warning! Always follow the bit manufacturer's speed recommendations as some bit designs require specific speeds for safety or performance. If you are unsure of the proper speed or are experiencing any type of problem, contact the bit manufacturer.

This router is equipped with a variable speed dial (4) with 7 speeds between 16000 and 30000 RPM. Adjust the speed by turning the variable speed dial.

Note: The router is equipped with electronics to monitor and maintain the speed of the tool while cutting. In low and medium speed operation, the speed control prevents the motor speed from decreasing.

If you expect to hear a speed change and continue to load the motor, you could damage the motor by overheating. Reduce the depth of cut and/or slow the feed rate to prevent tool damage.

Speed selection chart*

Dial Setting	Approx. RPM	Application
1	16000	Large diameter bits and cutters
2	18300	
3	20600	

4	22900	Small diameter bits and cutters. Softwoods, plastics, laminates.
5	25200	
6	27500	
7	30000	

*The speeds in this chart are approximate and are for reference only. Your router may not exactly produce the speed listed for the dial setting.

Maintenance

Your STANLEY FATMAX tool has been designed to operate over a long period of time with a minimum of maintenance. continuous satisfactory operation depends upon proper tool care and regular cleaning.

Warning! To minimize the danger of serious personal injury, please switch off the tool power and disconnect all plugs/ remove battery before adjusting or removing/ installing any accessory. Before reassembling the tool, press and release the trigger switch to make sure the tool is already switched off.

Lubrication

STANLEY FATMAX tools are properly lubricated at the factory and are ready for use.

Tools should be lubricated regularly every year depending on usage. (Tools used on heavy duty jobs and tools exposed to heat may require more frequent lubrication.)

This lubrication should be attempted only by trained power tool repairperson's such as those at STANLEY FATMAX service centers or in other qualified service personnel.

Cleaning

Warning! Regularly clean the ventilation slots in your tool using a soft brush or dry cloth.

Warning! Never use solvents or harsh chemicals to clean non-metal parts of the tool. These chemicals may weaken the material of the parts. Use only mild soap and damp cloth to clean the tool. Never let any liquid get inside the tool; never immerse any part of the tool into liquid.

IMPORTANT! To ensure product SAFETY and RELIABILITY, repairs, maintenance and adjustment (other than those listed in this manual) should be performed by authorized service centers or other qualified organizations, always using identical replacement parts. Unit contains no user service able parts inside.

Optional Accessories

Warning! Since accessories, other than those offered by STANLEY FATMAX, have not been tested with this product, use of such accessories with this tool could be hazardous. To reduce the risk of injury, only STANLEY FATMAX, recommended accessories should be used with this product. The performance of any power tool is dependent upon the accessory used. STANLEY FATMAX accessories are engineered to high quality standards and are designed to

enhance the performance of power tool.

By using STANLEY FATMAX accessories will ensure that you get the very best from your STANLEY FATMAX tool. STANLEY FATMAX offers a large selection of accessories available at our local dealer or authorized service center at extra cost.

Protecting the environment



Separate collection. Products and batteries marked with this symbol must not be disposed of with normal household waste.

Products and batteries contain materials that can be recovered or recycled, reducing demand for raw materials. Please recycle electrical products and batteries according to local provisions. Further information is available at www.2helpU.com

Technical data

SFMCW400	
TYPE	Type 01
Voltage V	18
No-Load speed /min (rpm)	16,000 - 30,000
Collet Size mm	6.35mm, 8mm

Charger		SFMCB11	SFMCB12 / SC200	SFMCB14
Input Voltage	V _{ac}	230	230	230
Output Voltage	V _{dc}	18	18	18
Current	A	1.25	2	4

Battery		SFMCB201 / SB201	SFMCB202 / SB202	SFMCB204 / SB204	SFMCB206
Voltage	V _{dc}	18	18	18	18
Capacity	Ah	1.5	2.0	4.0	6.0
Type		Li-Ion	Li-Ion	Li-Ion	Li-Ion

Level of sound pressure according to EN62841:
Sound pressure (L _{pa}) 77 dB(A), Uncertainty (K) 4 dB(A)
Sound power (L _{wa}) 88 dB(A), Uncertainty (K) 4 dB(A)

Vibration total values (triax vector sum) according to EN62841:
Vibration emission Value (a _v) <2.5 m/s ² , uncertainty (K) 1.5 m/s ²

EC declaration of conformity
MACHINERY DIRECTIVE

SFCW400 Router

STANLEY FATMAX declares that these products described under "technical data" are in compliance with:

2006/42/EC, EN62841-1:2015, EN 62841-2-17:2017.

These products also comply with Directives 2014/30/EU and 2011/65/EU. For more information, please contact STANLEY

FATMAX at the following address or refer to the back of the manual.

Australia & New Zealand
Stanley Black & Decker
www.stanleytools.com.au
www.stanleytools.co.nz
Tel. 1800 338 002 (Aust) or Tel. 0800 339 258 (NZ)
810 Whitehorse Road Box Hill VIC 3128, Australia

The undersigned is responsible for compilation of the technical file and makes this declaration on behalf of
STANLEY FATMAX.

The undersigned is responsible for compilation of the technical file and makes this declaration on behalf of Stanley Europe.

A handwritten signature in black ink that reads 'Patrick Diepenbach'. The signature is written in a cursive style.

Patrick Diepenbach
General Manager, Benelux
STANLEY,
Egide Walschaertsstraat 14-18
2800 Mechelen, Belgium
2022-10-19