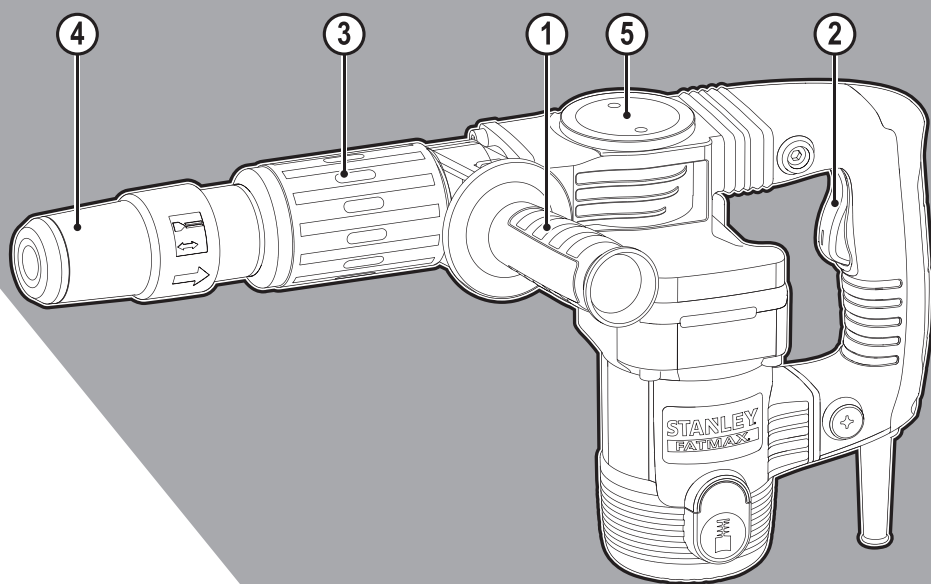
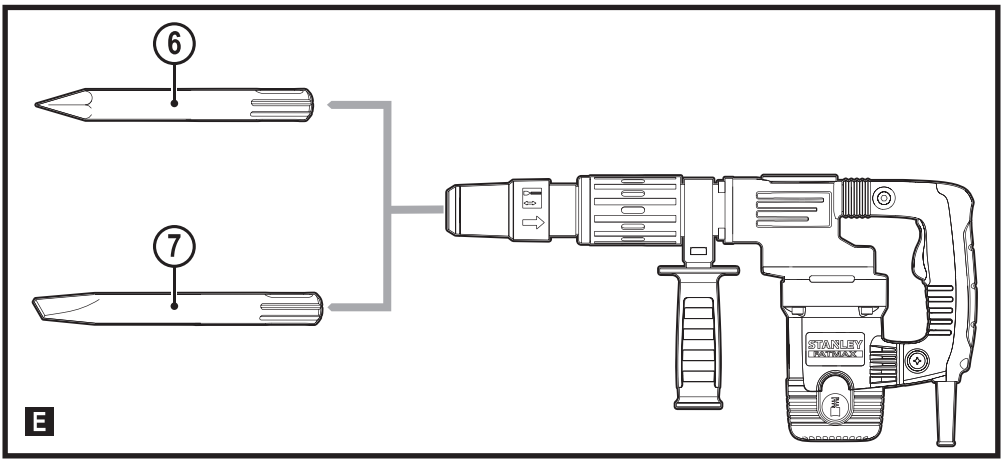
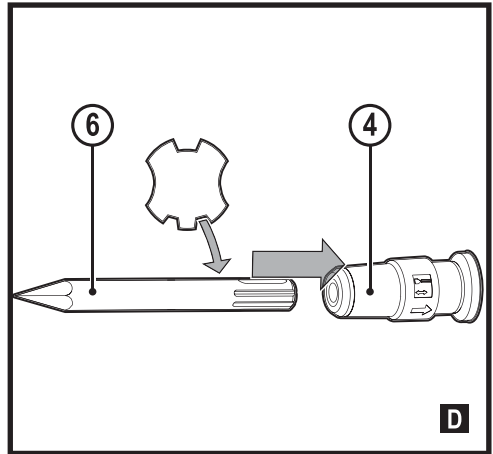
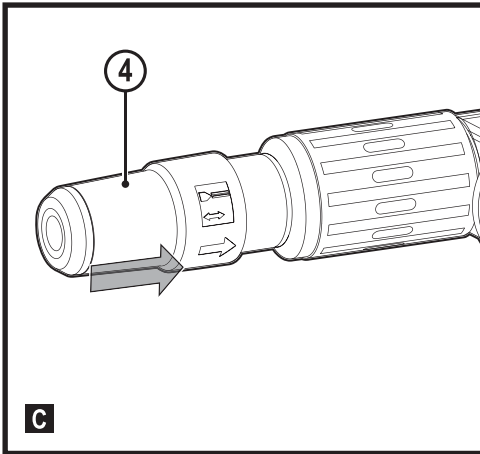
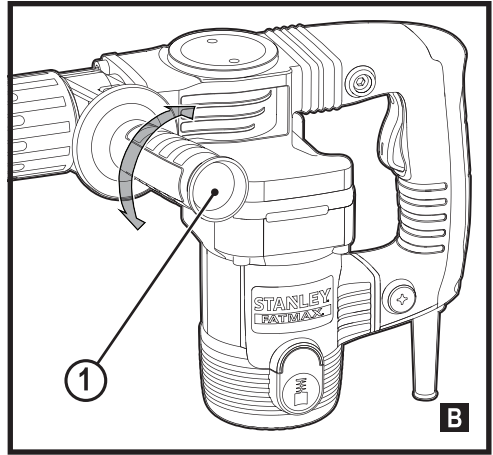
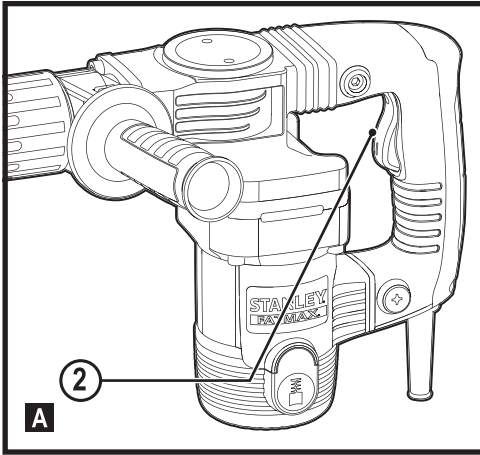


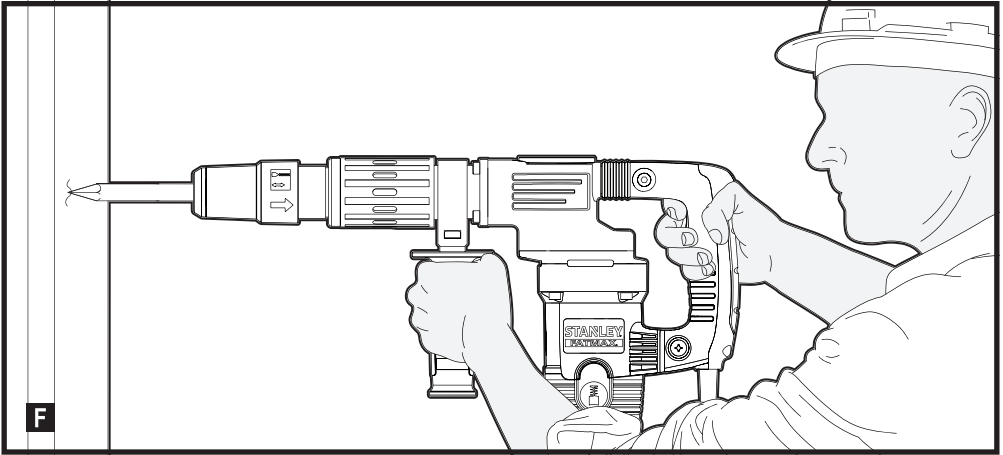
STANLEY®

FATMAX®



SFMEH220





Intended use

STANLEY® FATMAX® SFMEH220 Demolition hammer has been designed for light or medium chipping, chiselling and demolition applications in concrete, brick and masonry. This tool is intended for professional and private, non professional use.

Safety instructions

General power tool safety warnings



Warning! Read all safety warnings and all instructions. Failure to follow the warnings and instructions listed below may result in electric shock, fire and/or serious injury.

Save all warnings and instructions for future reference.

The term "power tool" in all of the warnings listed below refers to your mains operated (corded) power tool or battery operated (cordless) power tool.

1. Work area safety

- Keep work area clean and well lit.** Cluttered or dark areas invite accidents.
- Do not operate power tools in explosive atmospheres, such as in the presence of flammable liquids, gases or dust.** Power tools create sparks which may ignite the dust or fumes.
- Keep children and bystanders away while operating a power tool.** Distractions can cause you to lose control.

2. Electrical safety

- Power tool plugs must match the outlet. Never modify the plug in any way. Do not use any adapter plugs with earthed (grounded) power tools.**

Unmodified plugs and matching outlets will reduce risk of electric shock.

- Avoid body contact with earthed or grounded surfaces such as pipes, radiators, ranges and refrigerators.** There is an increased risk of electric shock if your body is earthed or grounded.
 - Do not expose power tools to rain or wet conditions.** Water entering a power tool will increase the risk of electric shock.
 - Do not abuse the cord. Never use the cord for carrying, pulling or unplugging the power tool. Keep cord away from heat, oil, sharp edges or moving parts.** Damaged or entangled cords increase the risk of electric shock.
 - When operating a power tool outdoors, use an extension cord suitable for outdoor use.** Use of a cord suitable for outdoor use reduces the risk of electric shock.
 - If operating a power tool in a damp location is unavoidable, use a residual current device (RCD) protected supply.** Use of an RCD reduces the risk of electric shock.
- #### 3. Personal safety
- Stay alert, watch what you are doing and use common sense when operating a power tool. Do not use a power tool while you are tired or under the influence of drugs, alcohol or medication.** A moment of inattention while operating power tools may result in serious personal injury.
 - Use personal protective equipment. Always wear eye protection.** Protective equipment such as dust mask, non-skid safety shoes, hard hat, or hearing protection used for appropriate conditions will reduce personal injuries.

- c. **Prevent unintentional starting.** Ensure the switch is in the off-position before connecting to power source and/or battery pack, picking up or carrying the tool. Carrying power tools with your finger on the switch or energising power tools that have the switch on invites accidents.
 - d. **Remove any adjusting key or wrench before turning the power tool on.** A wrench or a key left attached to a rotating part of the power tool may result in personal injury.
 - e. **Do not overreach. Keep proper footing and balance at all times.** This enables better control of the power tool in unexpected situations.
 - f. **Dress properly. Do not wear loose clothing or jewellery. Keep your hair, clothing and gloves away from moving parts.** Loose clothes, jewellery or long hair can be caught in moving parts.
 - g. **If devices are provided for the connection of dust extraction and collection facilities, ensure these are connected and properly used.** Use of dust collection can reduce dust-related hazards.
- 4. Power tool use and care**
- a. **Do not force the power tool. Use the correct power tool for your application.** The correct power tool will do the job better and safer at the rate for which it was designed.
 - b. **Do not use the power tool if the switch does not turn it on and off.** Any power tool that cannot be controlled with the switch is dangerous and must be repaired.
 - c. **Disconnect the plug from the power source and/or the battery pack from the power tool before making any adjustments, changing accessories, or storing power tools.** Such preventive safety measures reduce the risk of starting the power tool accidentally.
 - d. **Store idle power tools out of the reach of children and do not allow persons unfamiliar with the power tool or these instructions to operate the power tool.** Power tools are dangerous in the hands of untrained users.
 - e. **Maintain power tools. Check for misalignment or binding of moving parts, breakage of parts and any other condition that may affect the power tools operation. If damaged, have the power tool repaired before use.** Many accidents are caused by poorly maintained power tools.
 - f. **Keep cutting tools sharp and clean.** Properly maintained cutting tools with sharp cutting edges are less likely to bind and are easier to control.
 - g. **Use the power tool, accessories and tool bits etc. in accordance with these instructions, taking into account the working conditions and the work to be performed.** Use of the power tool for operations different from those intended could result in a hazardous situation.

5. **Service**
 - a. **Have your power tool serviced by a qualified repair person using only identical replacement parts.** This will ensure that the safety of the power tool is maintained.
 - b. **Power to the tool should always be supplied via residual current device with a rated residual current of 30mA or less.**

Additional power tool safety warnings



Warning! Additional safety warnings for demolition hammers.

- ◆ **Wear ear protectors.** Exposure to noise can cause hearing loss.
- ◆ **Use auxiliary handles supplied with the tool.** Loss of control can cause personal injury.
- ◆ **Hold power tool by insulated gripping surfaces when performing an operation where the cutting accessory may contact hidden wiring or its own cord.** Cutting accessory contacting a "live" wire may make exposed metal parts of the power tool "live" and could give the operator an electric shock
- ◆ **Be certain that the material being drilled does not conceal electric or gas service and that their locations have been verified with the utility companies.**
- ◆ **Keep a firm grip on the tool at all times. Do not attempt to operate this tool without holding it with both hands. Operating this tool with one hand will result in loss of control.** Breaking through or encountering hard materials such as re-bar may be hazardous as well. Tighten the side handle securely before use.
- ◆ **Ensure the chisel is secured in place before operating the tool.**
- ◆ **In cold-weather conditions or when the tool has not been used for a longer period of time, let the tool run with no load for several minutes before use.**
- ◆ **When working above ground level ensure the area below is clear.**
- ◆ **Do not touch the chisel or the parts close to the chisel immediately after operation, as they may be extremely hot and cause burns to the skin.**
- ◆ **Always direct the power cable to the rear, away from the chisel.**
- ◆ **Do not operate this tool for long periods of time. Vibration caused by hammer action may be harmful to your hands and arms.** Use gloves to provide extra cushion and limit exposure by taking frequent rest periods.

Safety of others

- ◆ This appliance is not intended for use by persons

(including children) with reduced physical, sensory or mental capabilities, or lack of experience and knowledge, unless they have been given supervision or instruction concerning use of the appliance by a person responsible for their safety.

- ◆ Children should be supervised to ensure that they do not play with the appliance.

Residual risks.

Additional residual risks may arise when using the tool which may not be included in the enclosed safety warnings. These risks can arise from misuse, prolonged use etc.

Even with the application of the relevant safety regulations and the implementation of safety devices, certain residual risks can not be avoided. These include:

- ◆ Injuries caused by touching any rotating/moving parts.
- ◆ Injuries caused when changing any parts, blades or accessories.
- ◆ Injuries caused by prolonged use of a tool. When using any tool for prolonged periods ensure you take regular breaks.
- ◆ Impairment of hearing.
- ◆ Health hazards caused by breathing dust developed when using your tool (example:- working with wood, especially oak, beech and MDF.)

Vibration

The declared vibration emission values stated in the technical data and the declaration of conformity have been measured in accordance with a standard test method provided by EN 60745 and may be used for comparing one tool with another. The declared vibration emission value may also be used in a preliminary assessment of exposure.

Warning! The vibration emission value during actual use of the power tool can differ from the declared value depending on the ways in which the tool is used. The vibration level may increase above the level stated.

When assessing vibration exposure to determine safety measures required by 2002/44/EC to protect persons regularly using power tools in employment, an estimation of vibration exposure should consider, the actual conditions of use and the way the tool is used, including taking account of all parts of the operating cycle such as the times when the tool is switched off and when it is running idle in addition to the trigger time.

Labels on tool

The following pictograms are shown on the tool, along with the date code:



Warning! To reduce the risk of injury, the user must read the instruction manual.



Wear safety glasses or goggles.



Wear ear protection.

Electrical safety



This tool is double insulated; therefore no earth wire is required. Always check that the power supply corresponds to the voltage on the rating plate.

- ◆ If the supply cord is damaged, it must be replaced by the manufacturer or an authorised Stanley Fat Max Service Centre in order to avoid a hazard.

Using an extension cable

Always use an approved extension cable suitable for the power input of this appliance (see technical data).

The extension cable must be suitable for outdoor use and marked accordingly. Up to 30 m of 1.5 mm² HO5VV-F extension cable can be used without loss of product performance. Before use, inspect the extension cable for signs of damage, wear and ageing. Replace the extension cable if damaged or defective. When using a cable reel, always unwind the cable completely.

Features

This tool includes some or all of the following features.

1. Side handle
2. Switch
3. Barrel cover
4. SDS MAX Chuck
5. Lube oil-injection inlet

Use

Warning! Before attempting any of the following operations, make sure that the tool is switched off and unplugged.

Switching on and off (Fig. A)

- ◆ To run the tool, press the switch (2) and turn it in 'ON' position.
- ◆ To stop the tool, turn it in 'OFF' position and release the switch (2).

Fitting the side handle (Fig. B)

The side handle (1) can be fitted to suit both RH- and LH- users.

Warning! Do not use the tool without the side handle properly assembled.

- ◆ Loosen the side handle.
- ◆ For RH-users: Slide the side handle clamp over the collar behind the tool holder, handle at the left. For LH-users: Slide the side handle clamp over the collar behind the tool holder, handle at the right.

- ◆ Rotate the side handle to the desired position and tighten the handle.

Inserting and removing SDS Max accessories (fig. C,D)

This tool uses SDS Max accessories (refer to figure D for a cross-section of an SDS Max bit shank). We recommend to use professional accessories only.

- ◆ Clean and grease the bit shank.
- ◆ Insert the bit shank into the bit holder/tool sleeve (4).
- ◆ Push the bit down and turn it slightly until it fits into the slots.
- ◆ Pull on the bit to check if it is properly locked. The hammering function requires the bit to be able to move axially several centimeters when locked in the tool holder.
- ◆ To remove a bit pull back the tool holder/locking sleeve (4), as illustrated in figure C, and pull out the bit

Warning! Always wear gloves when you change accessories. The exposed metal parts on the tool and accessory may become extremely hot during operation.

Chipping and chiselling (Fig. E)

- ◆ Insert the appropriate chisel (Not supplied) in right position.
- ◆ Adjust the side handle (1) as required.
- ◆ Switch on the tool and start working.
- ◆ Always switch off the tool when work is finished and before unplugging.
- ◆ Always observe the safety instructions and applicable regulations.
- ◆ Be aware of the location of pipework and wiring.
- ◆ Apply only a gentle pressure to the tool (approx. 5 kg). Excessive force does not speed up chiselling but decreases tool performance and may shorten tool life.
- ◆ Always hold the tool firmly with both hands and ensure secure stance. Always operate the tool with the side handle properly mounted.

Proper hand position (Fig. F)

Warning! To reduce the risk of serious personal injury, ALWAYS use proper hand position as shown.

Warning! To reduce the risk of serious personal injury, ALWAYS hold securely in anticipation of a sudden reaction. Proper hand position requires one hand on the side handle (1), with the other hand on the main handle.

Warning! Do not use this tool to mix or pump easily combustible or explosive fluids (benzine, alcohol, etc.) Do not mix or stir inflammable liquids labelled accordingly.

Accessories

The performance of your tool depends on the accessory used.

Stanley Fat Max accessories are engineered to high quality standards and designed to enhance the performance of your tool. By using these accessories you will get the very best from your tool.

Maintenance

Your Stanley Fat Max corded/cordless appliance/tool has been designed to operate over a long period of time with a minimum of maintenance. Continuous satisfactory operation depends upon proper tool care and regular cleaning.

Warning! Before performing any maintenance on corded/cordless power tools:

- ◆ Switch off and unplug the appliance/tool.
- ◆ Or switch off and remove the battery from the appliance/tool if the appliance/tool has a separate battery pack.
- ◆ Or run the battery down completely if it is integral and then switch off.
- ◆ Unplug the charger before cleaning it. Your charger does not require any maintenance apart from regular cleaning.
- ◆ Regularly clean the ventilation slots in your appliance/tool/charger using a soft brush or dry cloth.
- ◆ Regularly clean the motor housing using a damp cloth. Do not use any abrasive or solvent-based cleaner.
- ◆ Regularly open the chuck and tap it to remove any dust from the interior (when fitted)

Protecting the environment



Separate collection. Products and batteries marked with this symbol must not be disposed of with normal household waste.

Products and batteries contain materials that can be recovered or recycled reducing the demand for raw materials. Please recycle electrical products and batteries according to local provisions. Further information is available at www.2helpU.com

Technical data

		SFMEH220
Voltage	V	230
Frequency	Hz	50
Power input	W	1010
Impact rate	bpm	2900
Impact energy (EPTA / Max)	J	8.5
Chuck Type		SDS Max
Weight	kg	6.3

SFMEH220 Level of sound pressure according to EN60745:		
Sound pressure (L_{PA})	dB(A)	85
Sound pressure uncertainty (K_{PA})	dB(A)	3
Sound power (L_{WA})	dB(A)	96
Sound power uncertainty (K_{WA})	dB(A)	3
Vibration emission value ah (Chiselling):		
($a_{h,CHIS}$)	m/s^2	11
Uncertainty (K)	m/s^2	1.5

EC declaration of conformity

MACHINERY DIRECTIVE



SFMEH220 Demolition Hammer
Stanley Europe declares that these products described under
"technical data" are in compliance with:
2006/42/EC, EN 60745-1, EN 60745-2-6

These products also comply with Directive
2014/30/EU and 2011/65/EU. For more information, please
contact Stanley Europe at the following address or refer to the
back of the manual.

The undersigned is responsible for compilation of the technical
file and makes this declaration on behalf of Stanley Europe

A.P. Smith
Technical Director
Stanley Fat Max Europe, Egide Walschaertsstraat14-18,
2800 Mechelen, Belgium
22/07/2019

Australia & New Zealand

Stanley Black & Decker

www.stanleytools.com.au

Tel. 1800 338 002 (Aust) or Tel. 0800 339 258 (NZ)

810 Whitehorse Road Box Hill VIC 3128, Australia