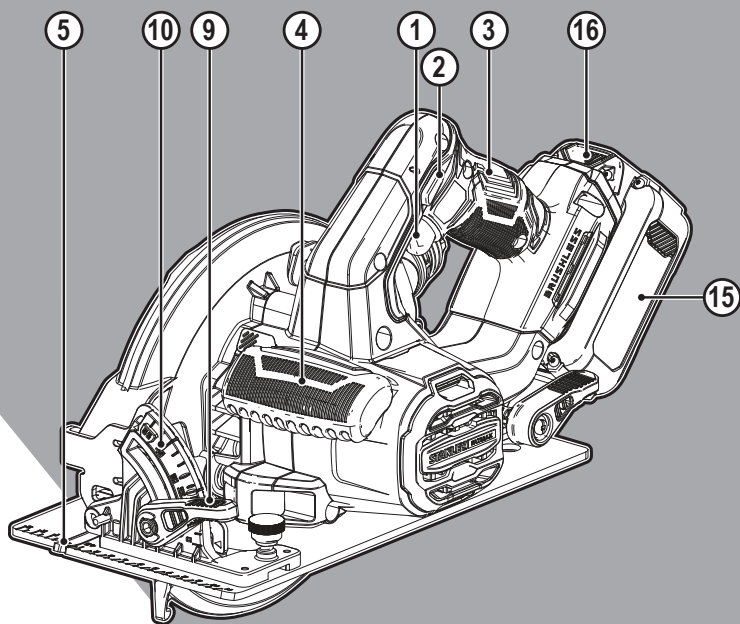


STANLEY®

FATMAX®

V20

LITHIUM ION



www.stanley.eu

SFMCS550

EN
DE
FR
IT
NL
ES
PT
SV
NO
DK
FI
EL

Fig. A

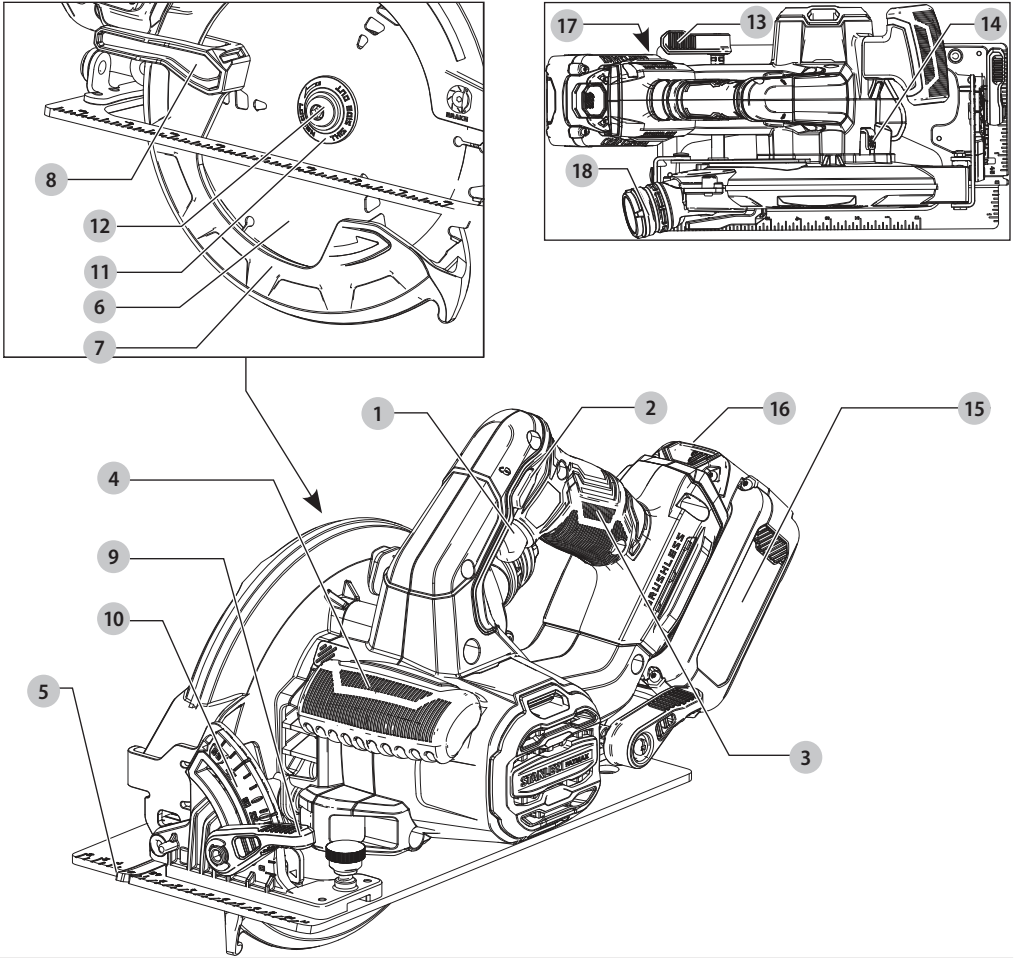


Fig. B

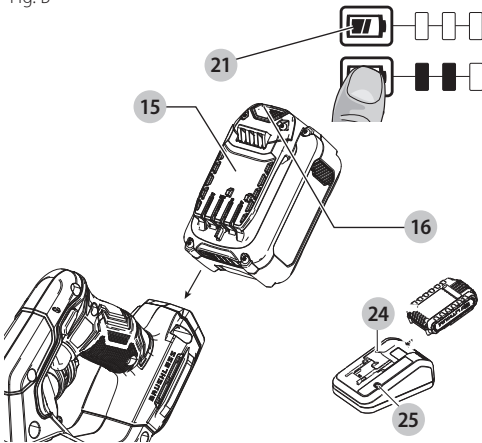


Fig. C

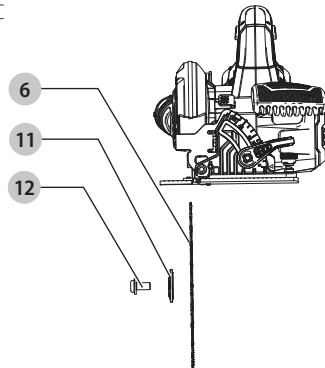


Fig. D

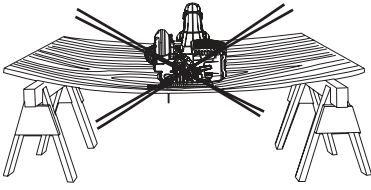


Fig. E

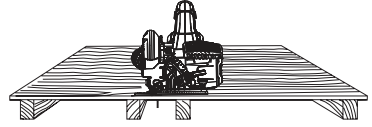


Fig. F

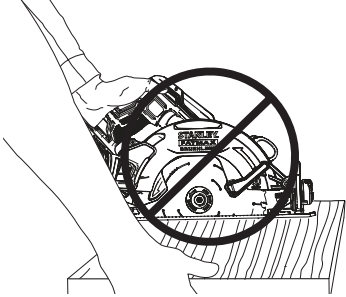


Fig. G

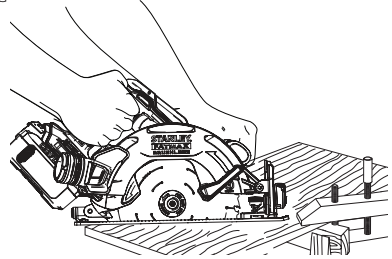


Fig. H

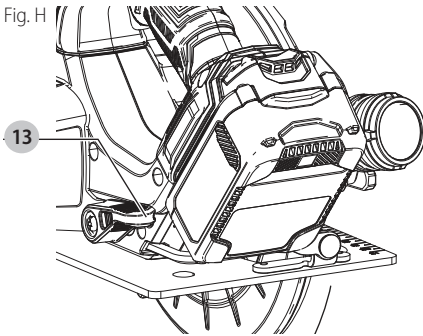


Fig. I

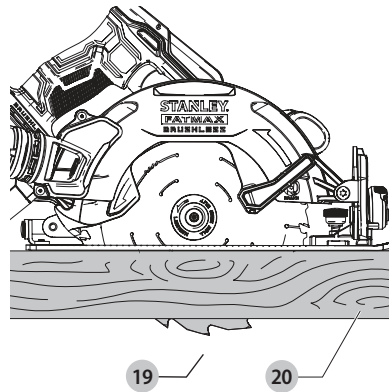


Fig. J

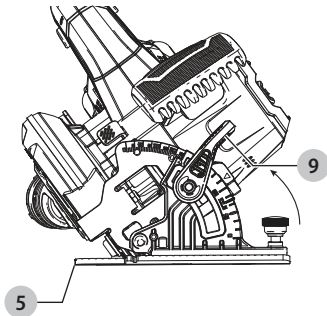


Fig. K

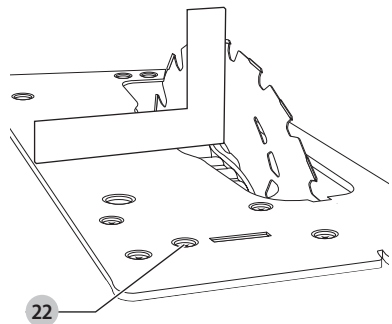


Fig. L

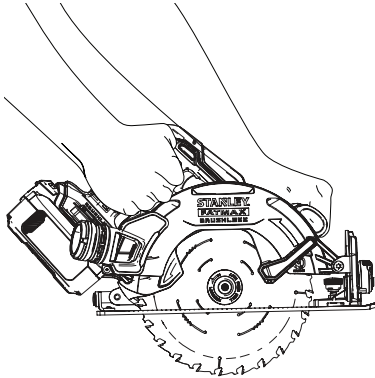
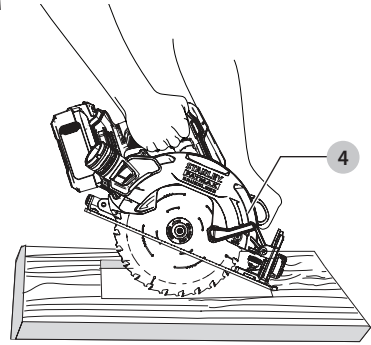


Fig. M



Intended use

Your STANLEY FATMAX SFMCS550 saw has been designed for sawing wood and wood products. This tool is intended for professional and private, non professional users.

Safety instructions

General power tool safety warnings



Warning! Read all safety warnings, instructions, illustrations and specifications provided with this power tool. Failure to follow all instructions listed below may result in electric shock, fire and/or serious injury.

Save all warnings and instructions for future reference.

The term "power tool" in all of the warnings listed below refers to your mains operated (corded) power tool or battery operated (cordless) power tool.

1. Work area safety

- Keep work area clean and well lit.** Cluttered or dark areas invite accidents.
- Do not operate power tools in explosive atmospheres, such as in the presence of flammable liquids, gases or dust.** Power tools create sparks which may ignite the dust or fumes.
- Keep children and bystanders away while operating a power tool.** Distractions can cause you to lose control.

2. Electrical safety

- Power tool plugs must match the outlet. Never modify the plug in any way. Do not use any adapter plugs with earthed (grounded) power tools.** Unmodified plugs and matching outlets will reduce risk of electric shock.
- Avoid body contact with earthed or grounded surfaces such as pipes, radiators, ranges and refrigerators.** There is an increased risk of electric shock if your body is earthed or grounded.

- Do not expose power tools to rain or wet conditions.** Water entering a power tool will increase the risk of electric shock.
- Do not abuse the cord. Never use the cord for carrying, pulling or unplugging the power tool. Keep cord away from heat, oil, sharp edges or moving parts.** Damaged or entangled cords increase the risk of electric shock.
- When operating a power tool outdoors, use an extension cord suitable for outdoor use.** Use of a cord suitable for outdoor use reduces the risk of electric shock.
- If operating a power tool in a damp location is unavoidable, use a residual current device (RCD) protected supply.** Use of an RCD reduces the risk of electric shock.

3. Personal safety

- Stay alert, watch what you are doing and use common sense when operating a power tool. Do not use a power tool while you are tired or under the influence of drugs, alcohol or medication.** A moment of inattention while operating power tools may result in serious personal injury.
- Use personal protective equipment. Always wear eye protection.** Protective equipment such as dust mask, non-skid safety shoes, hard hat, or hearing protection used for appropriate conditions will reduce personal injuries.
- Prevent unintentional starting. Ensure the switch is in the off-position before connecting to power source and/or battery pack, picking up or carrying the tool.** Carrying power tools with your finger on the switch or energising power tools that have the switch on invites accidents.

- d. **Remove any adjusting key or wrench before turning the power tool on.** A wrench or a key left attached to a rotating part of the power tool may result in personal injury.
- e. **Do not overreach. Keep proper footing and balance at all times.** This enables better control of the power tool in unexpected situations.
- f. **Dress properly. Do not wear loose clothing or jewellery. Keep your hair, clothing and gloves away from moving parts.** Loose clothes, jewellery or long hair can be caught in moving parts.
- g. **If devices are provided for the connection of dust extraction and collection facilities, ensure these are connected and properly used.** Use of dust collection can reduce dust-related hazards.
- h. **Do not let familiarity gained from frequent use of tools allow you to become complacent and ignore tool safety principles.** A careless action can cause severe injury within a fraction of a second.
4. **Power tool use and care**
- a. **Do not force the power tool. Use the correct power tool for your application.**
The correct power tool will do the job better and safer at the rate for which it was designed.
- b. **Do not use the power tool if the switch does not turn it on and off.** Any power tool that cannot be controlled with the switch is dangerous and must be repaired.
- c. **Disconnect the plug from the power source and/or remove the battery pack, if detachable, from the power tool before making any adjustments, changing accessories, or storing power tools.** Such preventive safety measures reduce the risk of starting the power tool accidentally.
- d. **Store idle power tools out of the reach of children and do not allow persons unfamiliar with the power tool or these instructions to operate the power tool.** Power tools are dangerous in the hands of untrained users.
- e. **Maintain power tools and accessories. Check for misalignment or binding of moving parts, breakage of parts and any other condition that may affect the power tools operation. If damaged, have the power tool repaired before use.** Many accidents are caused by poorly maintained power tools.
- f. **Keep cutting tools sharp and clean.** Properly maintained cutting tools with sharp cutting edges are less likely to bind and are easier to control.
- g. **Use the power tool, accessories and tool bits etc. in accordance with these instructions, taking into account the working conditions and the work to be performed.**
- Use of the power tool for operations different from those intended could result in a hazardous situation.
- h. **Keep handles and grasping surfaces dry, clean and free from oil and grease.** Slippery handles and grasping surfaces do not allow for safe handling and control of the tool in unexpected situations.
5. **Battery tool use and care (only used for battery tools)**
- a. **Recharge only with the charger specified by the manufacturer.** A charger that is suitable for one type of battery pack may create a risk of fire when used with another battery pack.
- b. **Use power tools only with specifically designated battery packs.** Use of any other battery packs may create a risk of injury and fire.
- c. **When battery pack is not in use, keep it away from other metal objects, like paper clips, coins, keys, nails, screws, or other small metal objects, that can make a connection from one terminal to another.** Shorting the battery terminals together may cause burns or a fire.
- d. **Under abusive conditions, liquid may be ejected from the battery; avoid contact. If contact accidentally occurs, flush with water. If liquid contacts eyes, additionally seek medical help.** Liquid ejected from the battery may cause irritation or burns.
- e. **Do not use a battery pack or tool that is damaged or modified.** Damaged or modified batteries may exhibit unpredictable behaviour resulting in fire, explosion or risk of injury.
- f. **Do not expose a battery pack or tool to fire or excessive temperature.** Exposure to fire or temperature above 130 °C may cause explosion.
- g. **Follow all charging instructions and do not charge the battery pack or tool outside the temperature range specified in the instructions.** Charging improperly or at temperatures outside the specified range may damage the battery and increase the risk of fire.
6. **Service**
- a. **Have your power tool serviced by a qualified repair person using only identical replacement parts.** This will ensure that the safety of the power tool is maintained.
- b. **Never service damaged battery packs.** Service of battery packs should only be performed by the manufacturer or authorized service providers.

Safety Instructions for All Saws

Cutting Procedures

- a. **⚠ DANGER: Keep hands away from cutting area and the blade. Keep your second hand on auxiliary handle, or motor housing.** If both hands are holding the saw, they cannot be cut by the blade.
 - b. **Do not reach underneath the workpiece.** The guard cannot protect you from the blade below the workpiece.
 - c. **Adjust the cutting depth to the thickness of the workpiece.** Less than a full tooth of the blade teeth should be visible below the workpiece.
 - d. **Never hold the workpiece in your hands or across your leg while cutting. Secure the workpiece to a stable platform.** It is important to support the work properly to minimize body exposure, blade binding, or loss of control.
 - e. **Hold the power tool by insulated gripping surfaces, when performing an operation where the cutting tool may contact hidden wiring.** Contact with a “live” wire will also make exposed metal parts of the power tool “live” and could give the operator an electric shock.
 - f. **When ripping always use a rip fence or straight edge guide.** This improves the accuracy of cut and reduces the chance of blade binding.
 - g. **Always use blades with correct size and shape (diamond versus round) of arbour holes.** Blades that do not match the mounting hardware of the saw will run off-centre, causing loss of control.
 - h. **Never use damaged or incorrect blade washers or bolt.** The blade washers and bolt were specially designed for your saw, for optimum performance and safety of operation.
- a. **Maintain a firm grip with both hands on the saw and position your arms to resist kickback forces. Position your body to either side of the blade, but not in line with the blade.**
Kickback could cause the saw to jump backwards, but kickback forces can be controlled by the operator, if proper precautions are taken.
 - b. **When blade is binding, or when interrupting a cut for any reason, release the trigger and hold the saw motionless in the material until the blade comes to a complete stop. Never attempt to remove the saw from the work or pull the saw backward while the blade is in motion or kickback may occur.** Investigate and take corrective actions to eliminate the cause of blade binding.
 - c. **When restarting a saw in the workpiece, centre the saw blade in the kerf so that the saw teeth are not engaged into the material.** If a saw blade binds, it may walk up or kickback from the workpiece as the saw is restarted.
 - d. **Support large panels to minimise the risk of blade pinching and kickback.** Large panels tend to sag under their own weight. Supports must be placed under the panel on both sides, near the line of cut and near the edge of the panel.
 - e. **Do not use dull or damaged blades.** Unsharpened or improperly set blades produce narrow kerf causing excessive friction, blade binding and kickback.
 - f. **Blade depth and bevel adjusting locking levers must be tight and secure before making cut.** If blade adjustment shifts while cutting, it may cause binding and kickback.
 - g. **Use extra caution when sawing into existing walls or other blind areas.** The protruding blade may cut objects that can cause kickback.

Further Safety Instructions for All Saws

Kickback Causes and Related Warnings

- Kickback is a sudden reaction to a pinched, jammed or misaligned saw blade, causing an uncontrolled saw to lift up and out of the workpiece toward the operator;
- When the blade is pinched or jammed tightly by the kerf closing down, the blade stalls and the motor reaction drives the unit rapidly back toward the operator;
- If the blade becomes twisted or misaligned in the cut, the teeth at the back edge of the blade can dig into the top surface of the wood causing the blade to climb out of the kerf and jump back toward the operator.

Kickback is the result of saw misuse and/or incorrect operating procedures or conditions and can be avoided by taking proper precautions as given below:

Safety Instructions for Saws with a Pendulum Blade Guard

Lower Guard Function

- a. **Check lower guard for proper closing before each use. Do not operate the saw if lower guard does not move freely and close instantly. Never clamp or tie the lower guard into the open position.** If the saw is accidentally dropped, lower guard may be bent. Raise the lower guard with the retracting handle and make sure it moves freely and does not touch the blade or any other part, in all angles and depths of cut.
- b. **Check the operation of the lower guard spring. If the guard and the spring are not operating properly, they must be serviced before use.** Lower guard may operate sluggishly due to damaged parts, gummy deposits, or a build-up of debris.

- c. **Lower guard may be retracted manually only for special cuts such as “plunge cuts” and “compound cuts”. Raise lower guard by retracting handle and as soon as blade enters the material, the lower guard must be released. For all other sawing, the lower guard should operate automatically.**
- d. **Always observe that the lower guard is covering the blade before placing saw down on bench or floor.** An unprotected, coasting blade will cause the saw to walk backwards, cutting whatever is in its path. Be aware of the time it takes for the blade to stop after switch is released.

Additional Safety Instructions for Circular Saws

- **Wear ear protectors.** Exposure to noise can cause hearing loss.
- **Wear a dust mask.** Exposure to dust particles can cause breathing difficulty and possible injury.
- **Do not use blades of larger or smaller diameter than recommended.** For the proper blade rating refer to the **technical data**. Use only the blades specified in this manual, complying with EN 847-1.
- **Use only saw blades that are marked with a speed equal or higher than the speed marked on the tool.**
- **Avoid overheating of blade tips.**
- **Install the dust extraction port onto the saw before use.**
- **Never use abrasive cut-off wheels.**
- **Do not use water feed attachments.**
- **Use clamps or another practical way to secure and support the workpiece to a stable platform.** Holding the work by hand or against your body leaves it unstable and may lead to loss of control.

Residual risks

The following risks are inherent to the use of saws:

- Injuries caused by touching the rotating parts.
- Even with the application of the relevant safety regulations and the implementation of safety devices, certain residual risks cannot be avoided. These are:
- Impairment of hearing.
 - Risk of accidents caused by the uncovered parts of the rotating saw blade.
 - Risk of injury when changing the blade.
 - Risk of squeezing fingers when opening the guards.
 - Health hazards caused by breathing dust developed when sawing wood, especially oak, beech and MDF.

Safety of others

- This tool is not intended for use by persons (including children) with reduced physical, sensory or mental capabilities, or lack of experience and knowledge,

unless they have been given supervision or instruction concerning use of the tool by a person responsible for their safety.

- Children should be supervised to ensure that they do not play with the appliance.

Vibration

The declared vibration emission values stated in the technical data and the declaration of conformity have been measured in accordance with a standard test method provided by EN62841 and may be used for comparing one tool with another. The declared vibration emission value may also be used in a preliminary assessment of exposure.



Warning! The vibration emission value during actual use of the power tool can differ from the declared value depending on the ways in which the tool is used. The vibration level may increase above the level stated.

When assessing vibration exposure to determine safety measures required by 2002/44/EC to protect persons regularly using power tools in employment, an estimation of vibration exposure should consider, the actual conditions of use and the way the tool is used, including taking account of all parts of the operating cycle such as the times when the tool is switched off and when it is running idle in addition to the trigger time.

Labels on tool

The following symbols are shown on the tool along with the date code:



Warning! To reduce the risk of injury, the user must read the instruction manual.

Additional safety instructions for batteries and chargers

Batteries

- Never attempt to open for any reason.
- Do not expose the battery to water.
- Do not store in locations where the temperature may exceed 40 °C.
- Charge only at ambient temperatures between 10 °C and 40 °C.
- Charge only using the charger provided with the tool.
- When disposing of batteries, follow the instructions given in the section “Protecting the environment”.

Do not attempt to charge damaged batteries.



Chargers

- Use your charger only to charge the battery in the tool with which it was supplied. Other batteries could burst, causing personal injury and damage.
- Never attempt to charge non-rechargeable batteries.

- Have defective cords replaced immediately.
- Do not expose the charger to water.
- Do not open the charger.
- Do not probe the charger.



The charger is intended for indoor use only.

Electrical safety



This charger is double insulated; therefore no earth wire is required. Always check that the power supply corresponds to the voltage on the rating plate.

- If the supply cord is damaged, it must be replaced by the manufacturer or an authorised STANLEY FATMAX Service Centre in order to avoid a hazard.

Description (Fig. A)



WARNING: Never modify the power tool or any part of it. Damage or personal injury could result.

1. On/off switch
2. Lock off button
3. Main handle
4. Secondary handle
5. Shoe
6. Saw blade
7. Lower blade guard
8. Lower guard retracting lever
9. Bevel adjustment lever
10. Bevel angle scale
11. Outer blade clamp washer
12. Blade retaining bolt
13. Depth adjustment lever
14. Spindle lock button
15. Battery
16. Battery release button
17. Hex wrench
18. Dust extraction port



WARNING: Do not cut any metals, masonry, glass, tile or plastic with this saw. A dull blade will cause slow, inefficient cutting overload on the saw motor, excessive splintering, and could increase the possibility of kickback.

- **DO NOT** use any abrasive wheels.
- Use only blades designed for wood cutting.



WARNING: Cutting sap coated wood, and other materials may cause melted substances to accumulate on the blade tips and the body of the saw blade, increasing the risk of the blade overheating and binding while cutting.

DO NOT use under wet conditions or in presence of flammable liquids or gases.

DO NOT let children come into contact with the tool.

Supervision is required when inexperienced operators use this tool.

DO NOT use under wet conditions or in the presence of flammable liquids or gases.

DO NOT let children come into contact with the tool.

Supervision is required when inexperienced operators use this tool.

- **Young children and the infirm.** This appliance is not intended for use by young children or infirm persons without supervision.
- This product is not intended for use by persons (including children) suffering from diminished physical, sensory or mental abilities; lack of experience, knowledge or skills unless they are supervised by a person responsible for their safety. Children should never be left alone with this product.

Fitting and removing the battery (Fig. B)

- ◆ To fit the battery (15), line it up with the receptacle on the tool. Slide the battery into the receptacle and push until the battery snaps into place.
- ◆ To remove the battery, push the release buttons (16) while at the same time pulling the battery out of the receptacle.

Use



WARNING: Let the tool work at its own pace. Do not overload. This tool can be used in the right hand or the left hand.

Charging the Battery (Fig. B)

The battery needs to be charged before first use and whenever it fails to produce sufficient power on jobs that were easily done before. The battery may become warm while charging; this is normal and does not indicate a problem.



WARNING: Do not charge the battery at ambient temperatures below 10 °C or above 40 °C.
Recommended charging temperature: approx. 24 °C.

Note: The charger will not charge a battery if the cell temperature is below approximately 10 °C or above 40 °C. The battery should be left in the charger and the charger will begin to charge automatically when the cell temperature warms up or cools down.

- ◆ To charge the battery (15), insert it into the charger (24). The battery will only fit into the charger in one way. Do not force. Be sure that the battery is fully seated in the charger.
- ◆ Plug in the charger and switch on at the mains.

The charging indicator (25) will blink.

The charge is complete when the charging indicator (25) switches to continuously on. The charger and the battery can be left connected indefinitely. The LED will switch on as the charger occasionally tops up the battery charge.

- ◆ Charge discharged batteries within 1 week. Battery life will be greatly diminished if stored in a discharged state.

Leaving the Battery in the Charger

The charger and battery pack can be left connected with the LED glowing indefinitely. The charger will keep the battery pack fresh and fully charged.

Charger Diagnostics

If the charger detects a weak or damaged battery, the charging indicator (25) will flash red at a fast rate. Proceed as follows:

- ◆ Re-insert the battery (15).
- ◆ If the charging indicators continues flashing red at a fast rate, use a different battery to determine if the charging process works properly.
- ◆ If the replaced battery charges correctly, the original battery is defective and should be returned to a service centre for recycling.
- ◆ If the new battery gives the same indication as the original battery, take the charger to be tested at an authorised services centre.

NOTE: It may take as long as 30 minutes to determine that the battery is defective. If the battery is too hot or too cold, the LED will alternately blink red, fast and slow, one flash at each speed and repeat.

Attaching and Removing the Blade (Fig. C)

1. Retract lower guard and assemble saw blade (6) and outer blade clamp washer (11) as shown in Figure C.
2. Depress the spindle lock button (14) while turning the blade retaining bolt (12) with the hex wrench (17) until the blade lock engages and the blade stops rotating.

NOTE: Hex wrench is stored on the saw as shown in Figure A. Tighten the blade retaining bolt securely with the hex wrench.

NOTE: Bolt has a right-handed thread. To loosen, turn counterclockwise. To tighten, turn clockwise.

NOTE: Never engage the blade lock while the saw is running, or engage in an effort to stop the tool. Never turn the tool on while the blade lock is engaged. Serious damage to your saw will result.

Supporting Large Panels/Securing Workpiece (Fig. D-G)

Support large panels to minimize the risk of blade pinching and kickback. Large panels tend to sag under their own weight as shown in Figure D.

Supports must be placed under the panel on both sides, near the line of cut and near the edge of the panel (Figure E).



WARNING: To reduce the risk of injury Never hold the piece being cut with your hands or lay it across your leg (Figure F).

Secure the workpiece to a stable platform as shown in Figure G. It is important to support the work properly to minimize body exposure, blade binding, or loss of control.

Cutting Depth Adjustment (Fig. G-I)

The depth of cut should be set according to the thickness of the workpiece.

1. Loosen the depth adjustment lever (13) to unlock the saw shoe (5).
2. Align the saw shoe with the desired depth of cut indicated on the scale markings on the depth strap.
3. Set depth adjustment of saw such that one tooth (19) of the blade projects below the workpiece (20) as shown in Figure I.
4. Tighten the depth adjustment lever to lock the saw shoe in place.

Bevel Angle Adjustment (Fig. J)

This tool can be set to bevel angles between 0° and 56°.

1. Loosen the bevel adjustment lever (9) to unlock the saw shoe (5).
2. Move the saw shoe into the desired position corresponding with the bevel angle markings on the bevel angle scale (10).
3. Tighten the bevel adjustment lever to lock the saw shoe in place.
4. Confirm the accuracy of the setting by checking the bevel angle of an actual cut on a scrap piece of material.

Shoe Adjustment for 90° Cuts (Fig. K)

The shoe (5) has been set by the factory to assure that the blade is perpendicular to the shoe at 0° bevel setting.

If realignment is needed:

1. Adjust the saw to 0° bevel.
2. Retract lower blade guard (7).
3. Loosen bevel adjustment lever (9). Place a square against the blade (6) and shoe (5) to adjust the 90° setting.
4. Turn the calibration screw (22) so that the shoe will stop at the proper angle.
5. Confirm the accuracy of the setting by checking the squareness of an actual cut on a scrap piece of material.

On/Off Switch (Fig. A)

Saw is equipped with a switch lock-off feature to prevent unintentional operation.

1. To operate the tool, press in on the lock-off button (2) from either side of the saw and hold it in as you depress the trigger switch (1).
2. After you have depressed the trigger and the tool is running, release the lock-off button. The tool will continue to run as long as the trigger is depressed.
3. To turn the tool off, release the trigger switch.

NOTE: This tool has no provision for locking the tool on, and the switch should never be locked on by any other means.

Automatic Electric Brake

Your saw is equipped with an electric blade brake which stops the saw blade within 1–2 seconds of trigger release. This is automatic and requires no adjustment.

Lower Blade Guard



WARNING: Laceration Hazard. The lower blade guard is a safety feature which reduces the risk of serious personal injury. Never use the saw if the lower guard is missing, damaged, mis-assembled or not working properly. Do not rely on the lower blade guard to protect you under all circumstances. Your safety depends on following all warnings and precautions as well as proper operation of the saw. Check lower guard for proper closing before each use as outlined in **Further Safety Instructions for all Saws**. If the lower blade guard is missing or not working properly, have the saw serviced before using. To assure product safety and reliability, repair, maintenance and adjustment should be performed by an authorized service center or other qualified service organization, always using identical replacement parts.



WARNING: To minimize the risk of eye injury, always use eye protection. Carbide is a hard but brittle material. Foreign objects in the workpiece such as wire or nails can cause tips to crack or break. Only operate saw when proper saw blade guard is in place. Mount blade securely in proper rotation before using, and always use a clean, sharp blade.



WARNING: To reduce the risk of injury, It is important to support the work properly and to hold the saw firmly to prevent loss of control which could cause personal injury. Figure L illustrates typical hand support.



WARNING: To reduce the risk of serious personal injury, read, understand and follow all important safety warnings and instructions prior to using tool.

Blade Selection

Your circular saw is designed for use with 190 mm diameter blades that have a 30 mm diameter bore. Blades must be rated for 6000 RPM operation (or higher). DO NOT use any abrasive wheels.

General Cuts



WARNING: To reduce the risk of injury, remove the battery, and follow all assembly, adjustment and set up instructions.

Make sure lower guard operates. Select the proper blade for the material to be cut.

- Measure and mark work for cutting.
- Support and secure work properly (refer to **Supporting Large Panels/Securing Workpiece**).
- Use appropriate and required safety equipment (refer to **Additional Safety Information**).
- Secure and maintain work area (refer to **Safety Instructions for All Saws**).

- With battery inserted, make sure switch turns saw on and off.

Sawing



WARNING: To reduce the risk of serious personal injury, always hold the tool with both hands.

- Keep your body positioned to either side of the blade, but not in line with the saw blade. Kickback could cause the saw to jump backwards. Refer to **Further Safety Instructions for all Saws** and **Kickback Causes and Related Warnings**.
- Let the blade run freely for a few seconds before starting the cut.
- Apply only a gentle pressure to the tool while performing the cut.
- Work with the shoe pressed against the workpiece.

Hints for Optimum Use

- As some splintering along the line of cut on the top side of the workpiece cannot be avoided, cut on the side where splintering is acceptable.
- Where splintering is to be minimized, e.g. when cutting laminates, clamp a piece of plywood onto the top of the workpiece.

Pocket Cutting (Fig. M)



WARNING: Never tie the blade guard in a raised position. Never move the saw backwards when pocket cutting. This may cause the unit to raise up off the work surface which could cause injury.

A pocket cut is one that is made when the edge of the material does not push the lower guard open, but the bottom edge of the rotating blade cuts into the middle of the material.

1. Adjust the shoe (5) so the blade cuts at desired depth.
2. Tilt the saw forward and rest front of the shoe on material to be cut.
3. Using the retracting lever, retract lower blade guard to an upward position. Lower rear of shoe until blade teeth almost touch cutting line.
4. Release the blade guard (its contact with the work will keep it in position to open freely as you start the cut). Remove hand from guard lever and firmly grip secondary handle (4), as shown in Figure M. Position your body and arm to allow you to resist kickback if it occurs.
5. Make sure blade is not in contact with cutting surface before starting saw.
6. Start the motor, allow saw to come to full speed, and then gradually lower the saw until its shoe rests flat on the material to be cut. Advance saw along the cutting line until cut is completed.
7. Release trigger and allow blade to stop completely before withdrawing the blade from the material.
8. When starting each new cut, repeat as above.

Ripping

A rip fence is supplied with your tool.

Ripping is the process of cutting wider boards into narrower strips – cutting grain lengthwise. Hand guiding is more difficult for this type of sawing and the use of a rip fence is recommended.

Dust Extraction



WARNING: Risk of dust inhalation. To reduce the risk of personal injury, **ALWAYS** wear an approved dust mask.



WARNING: ALWAYS use a vacuum extractor designed in compliance with the applicable directives regarding dust emission when sawing wood. Vacuum hoses of most common vacuum cleaners will fit directly into the dust extraction outlet.

A dust extraction port (18) is supplied with your tool. The dust extraction port allows you to connect the tool to an external dust extractor.

Maintenance

Your STANLEY FATMAX tool has been designed to operate over a long period of time with a minimum of maintenance. Continuous satisfactory operation depends upon proper tool care and regular cleaning.

Your charger does not require any maintenance apart from regular cleaning.



Warning! Before performing any maintenance on the tool, remove the battery from the tool. Unplug the charger before cleaning it.

- Regularly clean the ventilation slots in your tool and charger using a soft brush or dry cloth.
- Regularly clean the motor housing using a damp cloth. Do not use any abrasive or solvent-based cleaner.

Protecting the environment



Separate collection. Products and batteries marked with this symbol must not be disposed of with normal household waste.

Products and batteries contain materials that can be recovered or recycled, reducing demand for raw materials. Please recycle electrical products and batteries according to local provisions. Further information is available at www.2helpU.com

Technical data

SFMC550		
Input voltage	V _{dc}	18
No-load speed	min ⁻¹	5,000
Max depth of cut	mm	65
Max depth of cut at 45° bevel	mm	50
Blade diameter	mm	190

Blade bore	mm	30
Blade tip width	mm	1.8
Weight	kg	3.2
L _{PA} (sound pressure) 84.5 dB(A), Uncertainty (K) 3 dB(A)		
L _{WA} (sound power) 95.5 dB(A), Uncertainty (K) 3 dB(A)		
Vibration total values (triax vector sum) according to EN 62841:		
Cutting wood (a _{n, W}) 1.4 m/s ² , uncertainty (K) 1.5 m/s ²		
Charger		SFMCB11/SFMCB12/SFMCB14
Input Voltage	V _{ac}	230
Output Voltage	V _{dc}	18
Current	A	1.25/2.0/4.0
Battery		SFMCB201/202/204/206
Voltage	V _{dc}	18
Capacity	Ah	1.5/2.0/4.0/6.0
Type		Li-Ion

EC declaration of conformity

MACHINERY DIRECTIVE



SFMC550 Circular Saw

STANLEY FATMAX declares that these products described under "technical data" are in compliance with: EN62841-1:2015, EN62841-2-5:2014.

These products also comply with Directive 2006/42/EC, 2014/30/EU and 2011/65/EU. For more information, please contact STANLEY FATMAX at the following address or refer to the back of the manual.

The undersigned is responsible for compilation of the technical file and makes this declaration on behalf of STANLEY FATMAX.

Ed Higgins
 Director – Consumer Power Tools
 STANLEY FATMAX Europe, Egide Walschaertsstraat 14-18,
 2800 Mechelen, Belgium
 25/11/2019

Garantie

STANLEY FATMAX is confident of the quality of its products and offers consumers a 12 month guarantee from the date of purchase. This guarantee is in addition to and in no way prejudices your statutory rights.

The guarantee is valid within the territories of the Member States of the European Union and the European Free Trade Area.

To claim on the guarantee, the claim must be in accordance with STANLEY FATMAX Terms and Conditions and you will need to submit proof of purchase to the seller or an authorised repair agent.

Terms and conditions of the STANLEY FATMAX 1 year guarantee and the location of your nearest authorised repair agent can be obtained on the Internet at www.2helpU.com, or by contacting your local STANLEY FATMAX office at the address indicated in this manual.

Please visit our website www.stanleytools.eu/3 to register your new STANLEY FATMAX product and receive updates on new products and special offers.

Verwendungszweck

Ihre STANLEY FATMAX SFMCS550 Säge wurde zum Sägen von Holz und Holzprodukten entwickelt. Dieses Gerät ist zum gewerblichen und privaten Einsatz vorgesehen.

Sicherheitshinweise

Allgemeine Sicherheitswarnhinweise für Elektrowerkzeuge



Warnung! Beachten Sie alle Sicherheitshinweise, Anweisungen, Darstellungen und Daten, die Sie mit dem Gerät erhalten. Wenn Sie die folgenden Anweisungen **nicht** beachten, kann es zu elektrischem Schlag, Feuer und/oder schweren Verletzungen kommen.

Bewahren Sie alle Warnhinweise und alle Anweisungen auf. Der Begriff „Elektrowerkzeug“ in den Warnhinweisen bezieht sich auf Ihr netzbetriebenes Elektrowerkzeug (mit Kabel) oder auf Ihr akkubetriebenes (kabelloses) Elektrowerkzeug.

1. Sicherheit im Arbeitsbereich

- Halten Sie den Arbeitsbereich sauber und gut ausgeleuchtet.** Unaufgeräumte oder dunkle Bereiche begünstigen Unfälle.
- Verwenden Sie die Geräte nicht in Umgebungen, in denen Explosionsgefahr z. B. aufgrund von brennbaren Flüssigkeiten, Gasen oder Staub besteht.** Elektrowerkzeuge erzeugen Funken, die den Staub oder die Dämpfe entzünden können.

- Halten Sie Kinder und andere Personen während der Benutzung eines Geräts fern.** Ablenkung kann dazu führen, dass Sie die Kontrolle über das Gerät verlieren.

2. Elektrische Sicherheit

- Der Netzstecker des Geräts muss in die Steckdose passen. Ändern Sie niemals den Stecker in irgendeiner Form.**
Verwenden Sie keinerlei Adapterstecker an geerdeten Elektrogeräten. Unveränderte Stecker und passende Steckdosen mindern die Gefahr eines elektrischen Schlages.
- Vermeiden Sie Körperkontakt mit geerdeten Oberflächen von Rohren, Heizungen, Herden und Kühlschränken.** Es besteht eine erhöhte Gefahr für einen elektrischen Schlag, wenn Ihr Körper geerdet ist.
- Halten Sie Geräte von Regen und Feuchtigkeit fern.** Wenn Wasser in das Elektrogerät eindringt, erhöht sich die Gefahr eines elektrischen Schlages.
- Verwenden Sie das Kabel ordnungsgemäß.** **Verwenden Sie niemals das Kabel, um das Elektrogerät zu tragen oder durch Ziehen vom Netz zu trennen.** Halten Sie das Kabel fern von Hitze, Öl, scharfen Kanten oder beweglichen Teilen. Beschädigte oder verhedderte Kabel erhöhen die Gefahr eines elektrischen Schlages.
- Verwenden Sie nur für den Außenbereich zugelassene Verlängerungskabel, wenn Sie mit dem Gerät im Freien arbeiten.** Die Verwendung von für den Außeneinsatz geeigneten Kabeln mindert die Gefahr eines elektrischen Schlages.
- Wenn das Gerät in einer feuchten Umgebung verwendet werden muss, schließen Sie es unbedingt an eine Steckdose mit Fehlerstromschutzschalter (RCD).** Der Einsatz eines Fehlerstromschutzschalters mindert die Gefahr eines elektrischen Schlages.

3. Persönliche Sicherheit

- Verwenden Sie das Gerät aufmerksam und vernünftig. Benutzen Sie kein Elektrowerkzeug, wenn Sie müde sind oder unter dem Einfluss von Drogen, Alkohol oder Medikamenten stehen.** Ein Moment der Unachtsamkeit beim Betrieb eines Elektrogerätes kann zu schweren Verletzungen führen.
- Tragen Sie persönliche Schutzausrüstung. Tragen Sie immer einen Augenschutz.** Das Tragen persönlicher Schutzausrüstung, wie Staubmaske, rutschfeste Sicherheitsschuhe, Schutzhelm oder Gehörschutz, je nach Art und Einsatz des Elektrowerkzeuges, verringert das Risiko von Verletzungen.

- c. Vermeiden Sie eine unbeabsichtigte Inbetriebnahme. Vergewissern Sie sich, dass der Schalter in der AUS-Position ist, bevor Sie das Gerät an die Stromversorgung und/oder an den Akku anschließen oder wenn Sie das Gerät aufnehmen oder tragen.** Wenn Sie beim Tragen des Elektrowerkzeuges den Finger am Schalter haben oder das Gerät eingeschaltet an die Stromversorgung anschließen, kann dies zu Unfällen führen.
- d. Entfernen Sie alle Einstellschlüssel oder Werkzeuge, bevor Sie das Elektrogerät einschalten.** Werkzeuge oder Schlüssel, die an rotierenden Teilen des Elektrogerätes angebracht sind, können zu Verletzungen führen.
- e. Vermeiden Sie eine anormale Körperhaltung. Sorgen Sie für einen sicheren Stand und halten Sie jederzeit das Gleichgewicht.** Dadurch können Sie das Elektrowerkzeug in unerwarteten Situationen besser kontrollieren.
- f. Tragen Sie geeignete Kleidung. Tragen Sie keine weite Kleidung und keinen Schmuck. Halten Sie Ihre Haare, Kleidung und Handschuhe von beweglichen Teilen fern.** Lose sitzende Kleidung, Schmuck oder lange Haare können sich in den beweglichen Teilen verfangen.
- g. Falls Staubabsaug- und -fangvorrichtungen vorhanden sind, vergewissern Sie sich, dass diese angeschlossen sind und richtig verwendet werden.** Der Einsatz von Staubsammlern kann staubbedingte Gefahren mindern.
- h. Vermeiden Sie, durch die häufige Nutzung des Werkzeugs in einen Trott zu verfallen und Prinzipien für die Werkzeugsicherheit zu ignorieren.** Eine unachtsame Aktion kann im Bruchteil einer Sekunde zu schweren Verletzungen führen.
- 4. Gebrauch und Pflege von Elektrowerkzeugen**
- a. Überlasten Sie das Gerät nicht. Verwenden Sie das für Ihre Arbeit passende Elektrogerät.** Das richtige Gerät wird die Aufgabe besser und sicherer erledigen, wenn es bestimmungsgemäß verwendet wird.
- b. Verwenden Sie das Gerät nicht, wenn der Ein-/Ausschalter nicht funktioniert.** Ein Elektrowerkzeug, das sich nicht mehr ein- oder ausschalten lässt, ist gefährlich und muss repariert werden.
- c. Trennen Sie den Stecker vom Netz und/oder entfernen Sie die Akkus, falls abnehmbar, vom Elektrogerät, bevor Sie Einstellungen am Gerät vornehmen, Zubehör wechseln oder es aufbewahren.** Diese Vorbeugemaßnahmen mindern die Gefahr, dass das Elektrogerät unbeabsichtigt startet.
- d. Bewahren Sie unbenutzte Geräte außerhalb der Reichweite von Kindern auf. Lassen Sie Geräte nicht von Personen benutzen, die damit nicht vertraut sind oder diese Anweisungen nicht gelesen haben.** Elektrogeräte sind in den Händen nicht geschulter Personen gefährlich.
- e. Pflegen Sie Elektrowerkzeuge und Zubehör. Prüfen Sie, ob bewegliche Teile verzogen oder ausgeschlagen, ob Teile gebrochen oder in einem Zustand sind, der den Betrieb des Elektrogerätes beeinträchtigen kann. Bei Beschädigungen lassen Sie das Elektrogerät reparieren, bevor Sie es verwenden.** Viele Unfälle entstehen wegen mangelnder Wartung der Elektrogeräte.
- f. Halten Sie Schneidwerkzeuge scharf und sauber.** Richtig gewartete Schneidwerkzeuge mit scharfen Klingen blockieren seltener und sind leichter unter Kontrolle zu halten.
- g. Verwenden Sie Elektrogeräte, Zubehör und Einsatz (Bits) usw. gemäß diesen Anweisungen und unter Berücksichtigung der Arbeitsbedingungen und der Aufgabe.** Wenn Sie das Elektrogerät für Aufgaben verwenden, die nicht bestimmungsgemäß sind, kann dies zu gefährlichen Situationen führen.
- h. Halten Sie die Griffe trocken, sauber und frei von Öl und Fett.** Rutschige Griffe und Oberflächen unterbinden die sichere Bedienbarkeit und Kontrolle über das Werkzeug in unerwarteten Situationen.
- 5. Gebrauch und Pflege von Akkuwerkzeugen (nur für Akkuwerkzeuge)**
- a. Laden Sie die Akkus nur in Ladegeräten auf, die vom Hersteller angegeben wurden.** Für ein Ladegerät, das nur für eine bestimmte Akkuart geeignet ist, besteht Brandgefahr, wenn es mit anderen Akkus verwendet wird.
- b. Verwenden Sie nur die für das jeweilige Gerät vorgesehenen Akkus.** Die Verwendung anderer Akkus kann zu Verletzungen oder Bränden führen.
- c. Halten Sie den nicht benutzten Akku fern von Büroklammern, Münzen, Schlüsseln, Nägeln, Schrauben oder anderen kleinen Metallgegenständen, die eine Überbrückung der Kontakte verursachen könnten.** Durch den dadurch entstehenden Kurzschluss kann der Akku in Brand geraten.
- d. Bei falscher Anwendung kann Flüssigkeit aus dem Akku austreten. Vermeiden Sie den Kontakt damit. Bei unbeabsichtigtem Kontakt mit Wasser abspülen. Gelangt die Flüssigkeit in die Augen, ziehen Sie außerdem ärztliche Hilfe hinzu.**

Austretende Akkufflüssigkeit kann zu Hautreizungen oder Verbrennungen führen.

- e. **Verwenden Sie kein Akkupack oder Werkzeug, das beschädigt ist oder modifiziert wurde.** Beschädigte oder modifizierte Akkus können unvorhersehbare Reaktionen auslösen und zu Bränden, Explosionen oder Verletzungen führen.
- f. **Setzen Sie das Akkupack oder Werkzeug keinem Feuer oder übermäßig hohen Temperaturen aus.** Die Belastung durch Feuer oder Temperaturen über 130 °C kann zur Explosion führen.
- g. **Befolgen Sie alle Ladeanweisungen und laden Sie das Akkupack oder Werkzeug nicht außerhalb des in den Anweisungen festgelegten Temperaturbereichs auf.** Ein unsachgemäßer Ladevorgang oder Temperaturen außerhalb des festgelegten Bereichs können den Akku schädigen und die Brandgefahr erhöhen.

6. Service

- a. **Lassen Sie das Gerät nur von qualifiziertem Fachpersonal und nur mit Originalersatzteilen reparieren.** Damit wird sichergestellt, dass die Sicherheit des Gerätes erhalten bleibt.
- b. **Führen Sie niemals Wartungsarbeiten an beschädigten Akkus durch.** Die Wartung von Akkupacks darf nur vom Hersteller selbst oder autorisierten Dienstleistern durchgeführt werden.

Sicherheitsanweisungen für alle Sägen

Vorgehen beim Sägen

- a. **⚠ GEFAHR: Halten Sie Ihre Hände vom Sägebereich und dem Sägeblatt fern. Halten Sie die andere Hand am Zusatzgriff oder dem Motorgehäuse.** Wenn Sie die Säge mit beiden Händen halten, kann das Sägeblatt keine Verletzungen an den Händen verursachen.
- b. **Greifen Sie niemals unter das Werkstück.** Die Schutzvorrichtung kann Sie nicht vor der Trennscheibe unterhalb des Werkstücks schützen.
- c. **Stellen Sie die Schnitttiefe auf die Dicke des Werkstücks ein.** Unterhalb des Werkstücks sollte weniger als ein ganzer Sägezahn sichtbar sein.
- d. **Halten Sie das zu sägende Werkstück während des Sägens keinesfalls mit den Händen fest oder legen es auf Ihr Bein. Sichern Sie das Werkstück auf einer stabilen Plattform.** Es ist wichtig, das Werkstück richtig abzustützen, damit Ihr Körper geschützt wird, die Trennscheibe nicht festklemmt und Sie die Kontrolle behalten.

- e. **Halten Sie das Elektrowerkzeug an den isolierten Griffflächen, wenn Arbeiten durchgeführt werden, bei denen das Schneidwerkzeug versteckte Leitungen berühren könnte.** Der Kontakt des Schneidwerkzeugs mit einer spannungsführenden Leitung kann auch metallene Geräteteile unter Spannung setzen und zu einem elektrischen Schlag führen.
- f. **Verwenden Sie bei Längsschnitten stets einen Längsschnitt-Anschlag bzw. eine gerade Kantenführung.** Dadurch wird die Schnittgenauigkeit verbessert und die Gefahr des Festklemmens des Sägeblatts verringert.
- g. **Verwenden Sie stets Sägeblätter der richtigen Größe und Form (Diamant kontra rund) der Wellenbohrungen.** Trennscheiben, die nicht zu den Befestigungsteilen der Säge passen, laufen exzentrisch, was zu einem Kontrollverlust führt.
- h. **Verwenden Sie niemals beschädigte oder falsche Unterlegscheiben oder einen beschädigten oder falschen Bolzen für das Sägeblatt.** Die Unterlegscheiben und der Bolzen für die Trennscheibe wurden speziell für Ihre Säge konstruiert, so dass eine optimale Leistung und Betriebssicherheit erzielt wird.

Weitere Sicherheitsanweisungen für alle Sägen

Ursachen für Rückschläge und diesbezügliche Warnungen

- Ein Rückschlag ist die plötzliche Reaktion auf ein eingeklemmtes, hängendes oder falsch ausgerichtetes Sägeblatt. Dies führt dazu, dass sich die Säge unkontrolliert nach oben und aus dem Werkstück in Richtung Benutzer herausbewegt.
- Falls das Sägeblatt eingeklemmt wird oder durch den Schlitz hängen bleibt, so wird das Sägeblatt festgebremst, und durch die Reaktion des Motors wird die Einheit rasch zum Benutzer zurückgeschwungen.
- Falls das Sägeblatt verdreht oder im Schnitt falsch ausgerichtet wird, so können sich die Zähne an der Hinterkante des Sägeblatts in die Oberfläche des Holzes graben, wodurch das Sägeblatt aus dem Schlitz "herausklettert" und in Richtung Benutzer zurückschnellt.

Ein Rückschlag ist das Resultat eines Missbrauchs und/oder einer falschen Bedienung der Säge oder falscher Bedingungen und kann durch die entsprechenden unten angegebenen Vorsichtsmaßnahmen vermieden werden.

- a. **Halten Sie die Säge mit beiden Händen fest, und positionieren Sie Ihre Arme so, dass Sie Rückschlägen entgegenwirken können. Positionieren Sie Ihren Körper auf einer der beiden Seiten des Sägeblatts, jedoch nicht in einer Reihe mit dem Sägeblatt.**

- b. Ein Rückschlag kann dazu führen, dass die Säge zurückschnellt; die Rückschlagkräfte können jedoch vom Bediener unter Kontrolle gehalten werden, wenn entsprechende Vorsichtsmaßnahmen getroffen werden.
- c. **Wenn das Sägeblatt klemmt oder Sie die Schneidarbeit aus sonstigen Gründen unterbrechen wollen, schalten Sie die Säge aus, und halten Sie sie bewegungslos im Material, bis das Sägeblatt vollständig zum Stillstand kommt. Versuchen Sie niemals, das Sägeblatt aus dem Werkstück zu entfernen oder nach hinten zu ziehen, während das Sägeblatt in Bewegung ist, da dies zu einem Rückschlag führen kann.** Untersuchen Sie den Fall und treffen Sie Abhilfemaßnahmen, um die Ursache des Hängens des Sägeblatts zu beseitigen.
- d. **Wird eine Säge im Werkstück wieder in Betrieb genommen, zentrieren Sie das Sägeblatt im Schlitz und vergewissern Sie sich, dass die Sägeblattzähne nicht in das Material eingreifen.** Hängt das Sägeblatt, so wandert es möglicherweise nach oben oder es findet beim erneuten Einschalten ein Rückschlag aus dem Werkstück statt.
- e. **Stützen Sie große Platten ab, damit das Sägeblatt nicht eingeklemmt wird und kein Rückschlag entsteht.** Große Tafeln neigen dazu, durch ihr eigenes Gewicht durchzuhängen. Unter der Platte in der Nähe der Schnittlinie und in der Nähe der Plattenkante müssen auf beiden Seiten Stützen platziert werden.
- f. **Verwenden Sie niemals stumpfe oder beschädigte Sägeblätter.** Ungeschärfte oder falsch geschränkte Sägeblätter erzeugen einen schmalen Sägeschlitz. Die Folge sind übermäßige Reibung, Verkleben des Sägeblatts und Rückschlag.
- g. **Die Sicherungshebel für die Sägeblatttiefe und -neigung müssen fest und gesichert sein, bevor der Schnitt durchgeführt wird.** Wenn sich die Sägeblatteinstellung beim Schneiden ändert, kann dies zu Klemmen und Rückschlag führen.
- h. **Gehen Sie beim Sägen in Wände oder sonstige unübersichtliche Bereiche besonders vorsichtig vor.** Das hervorstehende Sägeblatt kann Gegenstände durchtrennen und zu Rückschlägen führen.

Sicherheitsanweisungen für Sägen mit einem Pendel-Sägeblattschutz

Funktion der unteren Schutzvorrichtung

- a. **Überprüfen Sie vor jedem Gebrauch, dass die untere Schutzvorrichtung einwandfrei schließt.**
- Betreiben Sie die Säge nicht, falls sich die untere Schutzvorrichtung nicht ungehindert bewegt und nicht sofort schließen lässt. Spannen oder binden Sie die untere Schutzvorrichtung niemals in der geöffneten Stellung fest.** Wenn die Säge versehentlich fallen gelassen wird, kann sich der untere Blattschutz verbiegen. Heben Sie die untere Schutzvorrichtung am Einzugshebel an und vergewissern Sie sich, dass sie sich ungehindert bewegt und nicht das Sägeblatt oder andere Teile berührt. Dies gilt für alle Winkel und Schnitttiefen.
- b. **Überprüfen Sie die Funktion der Feder für die untere Schutzvorrichtung. Falls Schutzvorrichtung und Feder nicht einwandfrei funktionieren, so müssen diese Teile vor dem Gebrauch instandgesetzt werden.** Möglicherweise arbeitet die untere Schutzvorrichtung aufgrund beschädigter Teile, Harzablagerungen oder einer Ansammlung von Spänen schwergängig.
- c. **Die untere Schutzvorrichtung sollte nur bei speziellen Schnitten wie Eintauch- und Verbundschnitten von Hand zurückgezogen werden. Heben Sie die untere Schutzvorrichtung an, indem Sie den Einzugshebel einfahren, und sobald das Sägeblatt in den Werkstoff tritt, muss die untere Schutzvorrichtung freigegeben werden. Bei allen anderen Sägearbeiten muss die untere Schutzvorrichtung automatisch arbeiten.**
- d. **Achten Sie stets darauf, dass die untere Schutzvorrichtung das Sägeblatt abdeckt, bevor die Säge auf der Werkbank oder dem Boden abgesetzt wird.** Ein ungeschütztes, noch auslaufendes Sägeblatt führt dazu, dass die Säge zurückschnellt und alles durchtrennt, was sich im Sägebereich befindet. Seien Sie sich darüber im Klaren, dass es einige Zeit dauert, bis das Sägeblatt zum Stillstand kommt, nachdem der Schalter losgelassen wurde.

Zusätzliche Sicherheitshinweise für Kreissägen

- **Tragen Sie einen Gehörschutz.** Lärm kann Gehörschäden verursachen.
- **Tragen Sie eine Staubmaske.** Staubteilchen können zu Atemproblemen und eventuellen Verletzungen führen.
- **Verwenden Sie keine Blätter mit einem kleineren oder größeren Durchmesser als empfohlen.** Angaben über die richtigen Sägeblätter sind den **Technischen Daten** zu entnehmen. Verwenden Sie nur die in diesem Handbuch spezifizierten Sägeblätter im Einklang mit EN 847-1.
- **Verwenden Sie ausschließlich Sägeblätter mit einer Drehzahlmarkierung, die der auf dem Werkzeug markierten Drehzahl entspricht oder darüber liegt.**

- **Vermeiden Sie eine Überhitzung der Sägeblattspitzen.**
- **Installieren Sie vor Gebrauch den Spanauswurfanschluss an der Säge.**
- **Verwenden Sie niemals Schleif-/Trennscheiben.**
- **Verwenden Sie keine Anbauteile mit Wasserzufuhr.**
- **Sichern Sie das Werkstück zum Beispiel mit Einspannvorrichtungen auf einer stabilen Plattform.**

Das Werkstück ist instabil, wenn es mit der Hand oder dem Körper abgestützt wird, was zum Verlust der Kontrolle führen kann.

Restrisiken

Folgende Risiken sind mit der Verwendung von Sägen untrennbar verbunden:

- Verletzungen durch Berühren rotierender Teile.

Auch bei der Einhaltung der entsprechenden Sicherheitsvorschriften und der Verwendung aller Sicherheitsgeräte bestehen weiterhin bestimmte Restrisiken. Diese sind:

- Schwerhörigkeit.
- Verletzungsgefahr am nicht abgedeckten Bereich des rotierenden Sägeblatts.
- Verletzungsgefahr beim Austausch des Messers.
- Quetschen der Finger beim Öffnen der Schutzabdeckungen.
- Gesundheitsgefährdung durch Einatmen von Staub, der beim Sägen von Holz entsteht, insbesondere Eiche, Buche und MDF.

Sicherheit von Anderen

- Dieses Gerät darf nicht von Personen (einschließlich Kindern) mit eingeschränkten körperlichen, sensorischen oder geistigen Fähigkeiten oder mangelnder Erfahrung und Wissen in Bezug auf dessen Gebrauch bedient werden, es sei denn, sie werden bei der Verwendung des Geräts von einer erfahrenen Person beaufsichtigt oder angeleitet.
- Kinder müssen beaufsichtigt werden, um sicherzustellen, dass sie nicht mit dem Gerät spielen.

Schwingung

Die in den Abschnitten „Technische Daten“ und „EU-Konformitätserklärung“ angegebenen Werte für die Vibrationsemission wurden mit einer Standard-Prüfmethode nach EN62841 ermittelt und können zum Vergleich verschiedener Geräte herangezogen werden. Die erklärten Schwingungsemissionswerte können auch in einer vorläufigen Expositionsbewertung verwendet werden.



Warnung! Der Schwingungsemissionswert während der tatsächlichen Verwendung des Elektrowerkzeugs kann in Abhängigkeit von den Arten, auf die das Werkzeug verwendet wird, vom erklärten Wert abweichen. Das Schwingungsniveau kann das angegebene Niveau übersteigen.

Bei der Bewertung der Schwingungsexposition zur Festlegung der durch die Richtlinie 2002/44/EG erforderlichen Sicherheitsmaßnahmen zum Schutz von Personen, die bei ihrer Beschäftigung regelmäßig Elektrowerkzeuge verwenden, muss eine Schätzung der Schwingungsexposition die tatsächlichen Nutzungsbedingungen und die Art berücksichtigen, auf die das Werkzeug verwendet wird, einschließlich der Beachtung aller Teile des Betriebszyklus, wie die Male, die das Werkzeug ausgeschaltet wird und wenn es im Ruhemodus läuft zusätzlich zur Auslösezeit.

Etiketten am Werkzeug

Am Gerät sind die folgenden Warnsymbole inkl. Datumscode angebracht:



Warnung! Zur Reduzierung der Verletzungsgefahr muss der Nutzer die Betriebsanleitung lesen.

Zusätzliche Sicherheitshinweise für Akkus und Ladegeräte

Akkus

- Keinesfalls versuchen, den Akku zu öffnen.
- Achten Sie darauf, dass die Batterien nicht mit Wasser in Berührung kommen.
- Nicht bei Temperaturen über 40 °C lagern.
- Laden Sie den Akku nur bei Umgebungstemperaturen von 10 °C bis 40 °C.
- Verwenden Sie ausschließlich das mitgelieferte Ladegerät.
- Beachten Sie bei der Entsorgung von Akkus die Hinweise im Abschnitt „Umweltschutz“.

Versuchen Sie nie, beschädigte Akkus aufzuladen.



Ladegeräte

- Verwenden Sie das Ladegerät nur für den Akku des Werkzeugs, mit dem es geliefert wurde. Andere Akkus könnten platzen und Sachschäden oder Verletzungen verursachen.
- Versuchen Sie keinesfalls, nicht aufladbare Batterien zu laden.
- Lassen Sie beschädigte Kabel sofort austauschen.
- Achten Sie darauf, dass die Batterien nicht mit Wasser in Berührung kommen.
- Versuchen Sie nicht, das Ladegerät zu öffnen.
- Nehmen Sie am Ladegerät keine Veränderungen vor.



Das Ladegerät darf nur im Innenbereich verwendet werden.

Elektrische Sicherheit



Das Ladegerät ist schutzisoliert, daher ist keine Erdleitung erforderlich. Überprüfen Sie immer, dass die Stromversorgung der Spannung auf dem Typenschild entspricht.

- Bei einer Beschädigung des Netzkabels muss dieses durch den Hersteller oder eine STANLEY FATMAX Vertragswerkstatt ausgetauscht werden, um mögliche Gefahren zu vermeiden.

Beschreibung (Abb. A)



WARNUNG: Nehmen Sie niemals Änderungen am Elektrowerkzeug oder dessen Teilen vor. Dies könnte zu Schäden oder Verletzungen führen.

1. Ein-/Aus-Schalter
2. Einschaltsperr
3. Haupthandgriff
4. Zusatzgriff
5. Schuh
6. Sägeblatt
7. Untere Sägeblattschutzvorrichtung
8. Rückzughebel für untere Schutzvorrichtung
9. Neigungseinstellungshebel
10. Neigungswinkelskala
11. Unterlegscheibe für äußere Sägeblattklemme
12. Sägeblattbefestigungsschraube
13. Tiefeneinstellhebel
14. Spindelarretierung
15. Akku
16. Akku-Löseknopf
17. Innensechskantschlüssel
18. Spanabsauganschluss



WARNUNG: Mit dieser Säge dürfen weder Metalle noch Mauerwerk, Glas, Fliesen oder Kunststoff geschnitten werden. Ein stumpfes Sägeblatt führt zu langsamen und ineffizienten Schnitten, was zur Überlastung des Sägemotors, übermäßigem Splittren und eventuell zur Erhöhung der Möglichkeit von Rückschlägen führt.

- **KEINE** Schleifscheiben verwenden.
- Nur Sägeblätter verwenden, die zum Sägen von Holz vorgesehen sind.



WARNUNG: Beim Sägen von Holz, das mit einer Beschichtung gegen das Auslaufen von Pflanzensaft versehen ist, und anderen Materialien können sich geschmolzene Substanzen auf den Spitzen und dem Körper des Sägeblatts ansammeln, wodurch das Risiko des Überhitzens und Blockierens des Sägeblatts beim Schneiden erhöht wird.

NICHT in nasser Umgebung oder in der Nähe von entflammaren Flüssigkeiten oder Gasen verwenden.

LASSEN SIE NICHT ZU, dass Kinder in Kontakt mit dem Werkzeug kommen. Wenn unerfahrene Personen dieses Gerät verwenden, sind diese zu beaufsichtigen.

NICHT in nasser Umgebung oder in der Nähe von entflammaren Flüssigkeiten oder Gasen verwenden. **LASSEN SIE NICHT ZU**, dass Kinder in Kontakt mit dem Werkzeug kommen. Wenn unerfahrene Personen dieses Gerät verwenden, sind diese zu beaufsichtigen.

- **Kleine Kinder und behinderte Personen.** Dieses Gerät ist nicht zur Verwendung durch kleine Kinder oder behinderte Personen ohne Aufsicht gedacht.
- Dieses Gerät darf nicht von Personen (einschließlich Kindern) mit eingeschränkten physischen, sensorischen oder mentalen Fähigkeiten oder ohne ausreichende Erfahrung oder Kenntnisse verwendet werden, außer wenn diese Personen von einer Person, die für ihre Sicherheit verantwortlich ist, bei der Verwendung des Geräts beaufsichtigt werden. Lassen Sie nicht zu, dass Kinder mit diesem Produkt allein gelassen werden.

Einsetzen und Entfernen des Akkus (Abb. B)

- ◆ Um den Akku (15) einzusetzen, richten Sie ihn an der Aufnahme am Gerät aus. Schieben Sie den Akku in die Aufnahme, bis er in der richtigen Position einrastet.
- ◆ Drücken Sie die Entriegelungstasten (16), und schieben Sie gleichzeitig den Akku aus dem Akkufach, um diesen zu entfernen.

Verwendung



WARNUNG: Lassen Sie das Werkzeug die Geschwindigkeit selbst bestimmen. Nicht überlasten. Dieses Gerät kann in der rechten oder linken Hand verwendet werden.

Laden des Akkus (Abb. B)

Der Akku muss vor erstmaliger Benutzung und immer dann aufgeladen werden, wenn das Gerät nicht mehr die volle Leistung bringt. Während des Ladevorgangs kann der Akku warm werden. Das ist normal.



WARNUNG: Laden Sie den Akku nicht, wenn die Umgebungstemperatur unter 10 °C oder über 40 °C liegt. Empfohlene Ladetemperatur: ca. 24 °C.

Hinweis: Ein Akku, bei dem die Temperatur der Batteriezellen unter ca. 10 °C oder über 40 °C liegt, wird vom Ladegerät nicht geladen. Lassen Sie den Akku im Ladegerät. Das Ladegerät beginnt automatisch mit dem Ladevorgang, sobald sich die Batteriezellen erwärmen bzw. abkühlen.

- ◆ Setzen Sie den Akku (15) in das Ladegerät (24) ein, um diesen zu laden. Der Akku kann nur in einer Richtung in das Ladegerät gesteckt werden. Erzwingen Sie den Arbeitsvorgang nicht. Vergewissern Sie sich, dass der Akku ordnungsgemäß im Ladegerät steckt.
- ◆ Schließen Sie das Ladegerät an eine Steckdose an, und schalten Sie die Stromversorgung ein. Die Ladeanzeige (25) blinkt.

Der Ladevorgang ist abgeschlossen, wenn die Ladeanzeige (25) dauerhaft leuchtet. Der Akku kann beliebig lange im Ladegerät verbleiben. Die LED-Anzeige leuchtet auf, wenn der Akku gelegentlich nachgeladen wird.

- ◆ Ein entladener Akku sollte innerhalb einer Woche wieder aufgeladen werden. Die Lebensdauer des Akkus wird erheblich reduziert, wenn dieser in entladener Zustand aufbewahrt wird.

Belassen des Akkus im Ladegerät

Sie können den Akku auf im Ladegerät belassen. In diesem Fall leuchtet die LED-Anzeige dauerhaft. Das Ladegerät hält den Akku in einem vollständig geladenen Zustand.

Diagnose des Ladegeräts

Wenn das Ladegerät einen schwachen oder beschädigten Akku feststellt, blinkt die Ladeanzeige (25) in schneller Folge rot. Gehen Sie folgendermaßen vor:

- ◆ Setzen Sie den Akku (15) erneut ein.
- ◆ Falls die Ladeanzeigen weiterhin in schneller Folge rot aufblinken, verwenden Sie einen anderen Akku, um herauszufinden, ob der Ladevorgang ordnungsgemäß ausgeführt wird.
- ◆ Wenn der ersetzte Akku ordnungsgemäß geladen wird, ist der ursprüngliche Akku defekt. Geben Sie diesen in einer Vertragswerkstatt ab, damit er recycelt werden kann.
- ◆ Wenn bei dem neuen Akku dieselbe Anzeige erscheint wie bei dem ursprünglichen Akku, lassen Sie das Ladegerät von einer autorisierten Vertragswerkstatt überprüfen.

HINWEIS: Es kann bis zu 30 Minuten dauern, bis sich herausstellt, ob der Akku tatsächlich defekt ist. Wenn der Akku zu warm oder zu kalt ist, blinkt die rote LED-Anzeige abwechselnd einmal langsam und einmal schnell.

Anbringen und Entfernen des Sägeblatts (Abb. C)

1. Ziehen Sie die untere Schutzvorrichtung zurück und montieren Sie das Sägeblatt (6) und die Unterlegscheibe für äußere Sägeblattklemme (11) wie in Abbildung C gezeigt.
2. Drücken Sie die Sägeblattverriegelung (14) herunter, während Sie die Sägeblattbefestigungsschraube (12) mit dem Innensechskantschlüssel (17) drehen, bis das Sägeblatt einrastet und sich nicht mehr dreht.

HINWEIS: Der Innensechskantschlüssels befindet sich wie in Abbildung A gezeigt an der Säge.

Ziehen Sie die Sägeblattbefestigungsschraube mit dem Innensechskantschlüssel fest an.

HINWEIS: Die Schraube hat ein Rechtsgewinde. Zum Lösen gegen den Uhrzeigersinn drehen. Zum Festziehen im Uhrzeigersinn drehen.

HINWEIS: Verwenden Sie keinesfalls die Sägeblattarretierung, während sich die Säge dreht oder um diese anzuhalten.

Schalten Sie das Gerät keinesfalls bei aktivierter Sägeblattarretierung ein. Dadurch wird die Säge beschädigt.

Abstützung großer Platten/Sichern des Werkstücks (Abb. D-G)

Stützen Sie große Platten ab, um ein mögliches Verklemmen oder Rückschlagen des Sägeblatts zu vermeiden. Große Platten neigen zum Durchbiegen unter ihrem eigenen Gewicht, siehe Abbildung D.

Unter der Platte in der Nähe der Schnittlinie und in der Nähe der Plattenkante müssen auf beiden Seiten Stützen platziert werden (Abbildung E).



WARNUNG: Um das Verletzungsrisiko zu verringern, halten Sie das zu schneidende Teil niemals mit den Händen fest oder legen Sie es über ein Bein (Abbildung F).

Sichern Sie das Werkstück auf einer stabilen Plattform, siehe Abbildung G. Es ist wichtig, das Werkstück richtig abzustützen, damit Ihr Körper geschützt wird, die Trennscheibe nicht festklemmt und Sie die Kontrolle behalten.

Schnitttiefeinstellung (Abb. G-I)

Die Schnitttiefe sollte an die Dicke des Werkstücks angepasst werden.

1. Lösen Sie den Tiefeneinstellhebel (13), um den Sägeschuh (5) freizugeben.
2. Richten Sie den Sägeschuh auf die gewünschte Schnitttiefe aus, die auf den Skalenmarkierungen auf dem Tiefenband angegeben ist.
3. Stellen Sie die Schnitttiefe so ein, dass ein Zahn (19) des Sägeblatts unterhalb des Werkstücks (20) vorsteht, siehe Abbildung I.
4. Ziehen Sie den Tiefeneinstellhebel fest, um den Sägeschuh in der geänderten Position zu sichern.

Neigungswinkeleinstellung (Abb. J)

Dieses Werkzeug kann für Gehrungsschnitte mit einem Winkel von 0° bis 56° eingestellt werden.

1. Lösen Sie den Neigungseinstellungshebel (9), um den Sägeschuh (5) freizugeben.
2. Bringen Sie den Sägeschuh in die gewünschte Position, die den Neigungswinkelmarkierungen auf der Neigungswinkelskala (10) entspricht.
3. Ziehen Sie den Neigungseinstellungshebel fest, um den Sägeschuh in der geänderten Position zu sichern.
4. Stellen Sie die Genauigkeit der Einstellung sicher, indem Sie den Neigungswinkel des Schnittes an einem Abfallstück überprüfen.

Schuhjustierung für 90°-Schnitte (Abb. K)

Der Schuh (5) wurde vom Werk so eingestellt, dass das Sägeblatt bei einer Neigungseinstellung von 0° senkrecht zum Schuh steht.

Falls eine Neuausrichtung nötig ist:

1. Stellen Sie einen Gehrungswinkel von 0° ein.
2. Untere Sägeblattschutzvorrichtung zurückziehen (7).
3. Neigungseinstellungshebel lösen (9). Stellen Sie ein Winkelmaß gegen das Sägeblatt (6) und den Schuh (5), um die 90°-Einstellung abzugleichen.
4. Drehen Sie die Kalibrierschraube (22) so, dass der Schuh im korrekten Winkel stoppt.
5. Stellen Sie die Genauigkeit der Einstellung sicher, indem Sie die Rechtwinkligkeit des Schnittes an einem Abfallstück überprüfen.

Ein-/Ausschalter (Abb. A)

Die Säge verfügt über eine Einschaltsperrung, um unbeabsichtigten Gebrauch zu verhindern.


1. Um das Gerät zu betreiben, halten Sie die Einschaltsperrung (2) an einer Seite der Säge eingedrückt, während Sie den Auslöseschalter (1) eindrücken.
2. Nachdem der Auslöser eingedrückt wurde und das Gerät läuft, können Sie die Einschaltsperrung loslassen. Das Gerät läuft weiter, solange der Auslöser eingedrückt ist.
3. Zum Ausschalten des Gerätes lassen Sie den Auslöseschalter los.

HINWEIS: Dieses Werkzeug verfügt nicht über eine Vorrichtung, um es im eingeschalteten Zustand zu sperren, und es darf in diesem Zustand keinesfalls durch andere Methoden gesperrt werden.

Automatische elektrische Bremse

Ihre Säge ist mit einer elektrischen Sägeblattbremse ausgestattet, die das Sägeblatt nach dem Loslassen des Auslösers innerhalb von 1–2 Sekunden anhält. Dies erfolgt automatisch und erfordert keine Einstellung.

Untere Sägeblattschutzvorrichtung

 **WARNUNG:** Gefahr von Schnittverletzungen. Die untere Sägeblattschutzvorrichtung ist eine Sicherheitsmaßnahme, die das Risiko von schweren Verletzungen reduziert. Verwenden Sie die Säge niemals, wenn die untere Schutzvorrichtung fehlt, beschädigt oder falsch montiert ist oder nicht richtig funktioniert. Verlassen Sie sich nicht darauf, dass die untere Sägeblattschutzvorrichtung Sie unter allen Umständen schützt. Ihre Sicherheit hängt davon ab, dass Sie alle Warnungen und Vorsichtsmaßnahmen beachten und dass die Säge ordnungsgemäß funktioniert. Überprüfen Sie vor jedem Gebrauch, dass die untere Schutzvorrichtung richtig schließt, wie in **Weitere Sicherheitsanweisungen für alle Sägen** beschrieben. Wenn die untere Sägeblattschutzvorrichtung fehlt oder nicht richtig funktioniert, lassen Sie die Säge vor der Benutzung warten. Um die Sicherheit und Zuverlässigkeit zu gewährleisten, sollten Reparaturen, Wartungsarbeiten und Einstellungen von einer autorisierten Kundendienststelle oder einer anderen

qualifizierten Kundendienstorganisation durchgeführt werden, wobei immer Originalersatzteile verwendet werden müssen.



WARNUNG: Zur Reduzierung der Gefahr von Augenverletzungen immer einen Augenschutz tragen. Hartmetall ist ein hartes, aber brüchiges Material. Fremdkörper im Werkstück, beispielsweise Draht oder Nägel, können dazu führen, dass die Spitzen reißen oder brechen. Betreiben Sie die Säge nur, wenn ein angemessener Sägeblattschutz angebracht ist. Montieren Sie das Sägeblatt vor der Verwendung so, dass es sich korrekt drehen kann, und verwenden Sie immer ein sauberes, scharfes Sägeblatt.



WARNUNG: Zur Reduzierung der Verletzungsgefahr ist es wichtig, das Werkstück ordnungsgemäß zu unterstützen und die Säge gut festzuhalten, um einen Kontrollverlust zu vermeiden, der zu Verletzungen führen kann. Abbildung L zeigt die typische Abstützung der Hand.



WARNUNG: Um die Gefahr schwerer Verletzungen zu vermeiden, lesen, verstehen und befolgen Sie vor der Verwendung des Werkzeugs alle wichtigen Sicherheitshinweise und Anweisungen.

Auswahl des Sägeblatts

Ihre Handkreissäge ist zur Verwendung von Sägeblättern mit 190 mm Durchmesser und einer Bohrung mit einem Durchmesser von 30 mm vorgesehen. Sägeblätter müssen für einen Betrieb bei 6000 U/min (oder mehr) ausgelegt sein. Verwenden Sie KEINE Schleifscheiben.

Allgemeine Schnitte



WARNUNG: Um das Verletzungsrisiko zu verringern, entfernen Sie den Akku und befolgen Sie alle Montage-, Einstell- und Einrichtungsanweisungen.

Überprüfen Sie, dass die untere Schutzvorrichtung funktioniert. Wählen Sie das richtige Sägeblatt für das zu schneidende Material.

- Vermessen und markieren Sie das zu sägende Werkstück.
- Stützen Sie das Werkstück ab und sichern Sie es angemessen (siehe **Abstützung großer Platten/Sichern des Werkstücks**).
- Verwenden Sie die richtige und erforderliche Sicherheitsausrüstung (siehe **Zusätzliche Sicherheitshinweise**).
- Halten Sie den Arbeitsbereich sicher und aufgeräumt (siehe **Sicherheitsanweisungen für alle Sägen**).
- Wenn der Akku eingesetzt wurde, prüfen Sie, ob sich die Säge ein- und ausschalten lässt.

Sägen



WARNUNG: Zur Reduzierung des Risikos schwerer Verletzungen muss das Werkzeug immer mit beiden Händen gehalten werden.

- Halten Sie Ihren Körper auf einer der beiden Seiten des Sägeblatts, jedoch nicht in einer Reihe mit dem Sägeblatt. Rückschlag kann dazu führen, dass die Säge zurückschnellt. Siehe dazu **Weitere Sicherheitsanweisungen für alle Sägen** und **Ursachen für Rückschläge und diesbezügliche Warnungen**.
- Lassen Sie das Sägeblatt einige Sekunden im Leerlauf bewegen, bevor Sie den Schnitt vornehmen.
- Üben Sie während des Sägens nur einen geringen Druck auf das Gerät aus.
- Drücken Sie den Sägeblattschuh gegen das Werkstück.

Hinweise für optimale Arbeitsergebnisse

- Da Absplinterungen an der Schnittlinie auf der Oberseite des Werkstücks nicht zu vermeiden sind, schneiden Sie auf der Seite, auf der Absplinterungen akzeptabel sind.
- Um beispielsweise beim Schneiden von Laminat ein Splittern zu vermeiden, klemmen Sie eine Sperrholzplatte auf die Oberseite des Werkstücks.

Sägen von Taschen (Abb. M)



WARNUNG: Binden Sie den Sägeblattschutz nie in angehobener Stellung fest. Bewegen Sie die Säge bei Taschenschnitten niemals rückwärts. Dadurch kann sich das Gerät von der Arbeitsfläche heben, was Verletzungen verursachen könnte.

Bei einem Taschenschnitt drückt nicht die Kante des Materials die untere Schutzvorrichtung auf, sondern die Unterkante des rotierenden Sägeblatts dringt erst in der Mitte des Materials ein.

1. Stellen Sie den Schuh (5) so ein, dass das Sägeblatt in der gewünschten Tiefe schneidet.
2. Kippen Sie die Säge nach vorne und lassen Sie das Vorderteil des Schuhs auf dem zu schneidenden Material ruhen.
3. Ziehen Sie mit Hilfe des Rückzughebels die untere Schutzvorrichtung in eine nach oben gerichtete Position zurück. Senken Sie die Rückseite des Schuhs ab, bis die Sägeblatzzähne fast die Schnittlinie berühren.
4. Lassen Sie den Sägeblattschutz los. (Dessen Kontakt mit dem Werkstück hält ihn in seiner Position, so dass er sich beim Beginn des Schnitts frei öffnen kann.) Nehmen Sie die Hand vom Hebel für die Schutzvorrichtung und halten Sie den Zweitgriff (4) gut fest, siehe Abbildung M. Positionieren Sie Ihren Körper und Ihren Arm so, dass Sie eventuellen Rückschlägen standhalten können.
5. Stellen Sie vor dem Schneiden sicher, dass das Sägeblatt keinen Kontakt mit der Schnittfläche hat.
6. Starten Sie den Motor, lassen Sie die Säge auf volle Drehzahl kommen und senken Sie sie dann allmählich ab, bis der Schuh flach auf dem zu schneidenden Material liegt. Bewegen Sie die Säge entlang der Schnittlinie, bis der Schnitt fertiggestellt ist.

7. Geben Sie den Auslöser frei und lassen Sie das Sägeblatt vollständig anhalten, bevor Sie es aus dem Material zurückziehen.
8. Gehen Sie beim Beginn jedes neuen Schnitts wieder wie oben beschrieben vor.

Längsschnitte

Ihr Werkzeug wird mit einem Parallelanschlag für Längsschnitte geliefert.

Längsschnitt bedeutet, dass ein Brett der Länge nach in schmalere Streifen geschnitten wird. Die Handführung ist bei Längsschnitten schwieriger. Deshalb wird die Verwendung eines Parallelanschlags empfohlen.

Staubabsaugung



WARNUNG: Gefahr Staub einzuatmen. Um das Risiko von Verletzungen zu reduzieren, tragen Sie **IMMER** eine zugelassene Staubschutzmaske.



WARNUNG: Verwenden Sie **IMMER** eine Spanabsaugung, die den gültigen Richtlinien für das Sägen von Holz entspricht. Der Absaugschlauch der meisten handelsüblichen Staubsauger kann direkt an den Spanauswurf angeschlossen werden.

Ihr Werkzeug ist mit einem Spanabsauganschluss (18) ausgestattet. Der Spanabsauganschluss ermöglicht das Anschließen des Werkzeugs an einen externen Staubsauger.

Wartung

Ihr STANLEY FATMAX-Gerät wurde im Hinblick auf eine lange Lebensdauer und einen möglichst geringen Wartungsaufwand entwickelt. Ein kontinuierlicher, zufriedenstellender Betrieb hängt von der richtigen Pflege des Gerätes und seiner regelmäßigen Reinigung ab.

Ihr Ladegerät braucht neben der normalen Reinigung keine Wartung.



Warnung! Entfernen Sie vor jeglichen Wartungsarbeiten am Gerät den Akku aus dem Gerät. Ziehen Sie das Ladegerät aus der Netzsteckdose, bevor Sie es reinigen.

- Reinigen Sie regelmäßig die Lüftungsschlitze des Gerätes und des Ladegeräts mit einer weichen Bürste oder einem trockenen Tuch.
- Reinigen Sie das Motorgehäuse regelmäßig mit einem feuchten Tuch.
Verwenden Sie keine scheuerndes oder lösungsmittelbasiertes Reinigungsmittel.

Umweltschutz



Abfalltrennung. Produkte und Akkus mit diesem Symbol dürfen nicht mit dem normalen Hausmüll entsorgt werden.

Produkte und Akkus enthalten Materialien, die wiederverwertet werden können, um den Bedarf an Rohstoffen zu verringern.

Bitte recyceln Sie Elektroprodukte und Batterien gemäß den lokalen Bestimmungen. Weitere Informationen finden Sie auf www.2helpU.com

Technische Daten

SFMC550		
Eingangsspannung	V _{DC}	18
Leerlaufdrehzahl	min ⁻¹	5.000
Maximale Schnitttiefe	mm	65
Maximale Schnitttiefe bei 45°	mm	50
Gehrungswinkel		
Sägeblattdurchmesser	mm	190
Sägeblattbohrung	mm	30
Breite der Sägezähne	mm	1,8
Gewicht	kg	3,2
L_{PA} (Schalldruck) 84,5 dB(A), Unsicherheitsfaktor (K) 3 dB(A)		
L_{WA} (Schalleistung) 95,5 dB(A), Unsicherheitsfaktor (K) 3 dB(A)		
Gesamtschwingungspegel (triaxiale Vektorsumme) gemäß EN 62841:		
Holzschnelden (a _{h, W}) 1.4 m/s ² , Unsicherheitsfaktor (K) 1.5 m/s ²		
Ladegerät SFMCB11/SFMCB12/SFMCB14		
Eingangsspannung	V _{ac}	230
Ausgangsspannung	V _{DC}	18
Stromstärke	A	1,25/2,0/4,0
Akku SFMCB201/202/204/206		
Spannung	V _{DC}	18
Kapazität	Ah	1,5/2,0/4,0/6,0
Typ		Li-Ion

EG-Konformitätserklärung
MASCHINENRICHTLINIE



SFMC550 Handkreissäge

STANLEY FATMAX erklärt, dass diese unter „Technische Daten“ beschriebenen Geräte übereinstimmen mit: EN62841-1:2015, EN62841-2-5:2014.

Diese Produkte entsprechen außerdem den Richtlinien 2006/42/EC, 2014/30/EU und 2011/65/EU. Weitere Informationen erhalten Sie von STANLEY FATMAX unter der folgenden Adresse. Diese befindet sich auch auf der Rückseite dieser Anleitung.

Der Unterzeichnete ist verantwortlich für die

Zusammenstellung der technischen Daten und gibt diese Erklärung im Namen von STANLEY FATMAX ab.

Ed Higgins
Director – Consumer Power Tools
STANLEY FATMAX Europe, Egide Walschaertsstraat 14-18,
2800 Mechelen, Belgien
25/11/2019

Garantie

STANLEY FATMAX vertraut auf die Qualität der eigenen Geräte und bietet dem Käufer eine Garantie von 12 Monaten ab Kaufdatum. Diese Garantie ist ergänzend und beeinträchtigt keinesfalls ihre gesetzlichen Ansprüche. Diese Garantie gilt innerhalb der Staatsgebiete der Mitgliedstaaten der Europäischen Union und der Europäischen Freihandelszone.

Zur Inanspruchnahme dieser Garantie muss sie den allgemeinen Geschäftsbedingungen von STANLEY FATMAX entsprechen und dem Verkäufer bzw. der Vertragswerkstatt ist ein Kaufnachweis vorzulegen.

Die Bedingungen für die 1-jährige Garantie von STANLEY FATMAX und den Standort Ihrer nächstgelegenen Vertragswerkstatt finden Sie im Internet unter www.2helpU.com oder indem Sie sich an die lokale STANLEY FATMAX-Niederlassung wenden, deren Adresse Sie in dieser Anleitung finden.

Ihr neues STANLEY FATMAX-Produkt können Sie auf unserer Website unter www.stanleytools.eu/3 registrieren. Dort erhalten Sie auch Informationen über neue Produkte und Sonderangebote.

(Traduction des instructions initiales)

Utilisation prévue

Votre scie STANLEY FATMAXSFMC550 a été spécialement conçue pour scier le bois et des articles en bois. Cet outil a été conçu pour les professionnels et les particuliers.

Consignes de sécurité

Avertissements de sécurité générale propres aux outils électriques



Avertissement ! Veuillez lire tous les avertissements de sécurité, toutes les instructions, toutes les illustrations et toutes les spécifications fournies avec cet outil électrique. Le non-respect de toutes les instructions listées ci-dessous peut conduire à des décharges électriques, des incendies et/ou de graves blessures.

Conservez tous les avertissements et toutes les instructions afin de pouvoir vous y référer dans le futur.

Le terme "outil électrique" mentionné dans tous les avertissements listés ci-dessous fait référence à vos outils électriques branchés sur secteur (avec câble) ou fonctionnant sur pile ou batterie (sans fil).

1. Sécurité de la zone de travail

- a. **Gardez la zone de travail propre et bien éclairée.**
Les zones sombres ou encombrées sont propices aux accidents.
- b. **N'utilisez pas d'outils électriques dans un environnement présentant des risques d'explosion ou en présence de liquides, gaz ou poussières inflammables.** Les outils électriques créent des étincelles qui peuvent enflammer les poussières et les fumées.
- c. **Maintenez les enfants et les autres personnes éloignés lorsqu'un outil électrique est en marche.**
Toute distraction peut vous faire perdre le contrôle de l'outil.

2. Sécurité électrique

- a. **Les prises des outils électriques doivent correspondre à la prise de courant murale. Ne modifiez jamais la prise d'aucune sorte. N'utilisez aucun adaptateur avec des outils électriques reliés à la terre.** L'utilisation de prises d'origine et de prises murales appropriées permet de réduire le risque de décharge électrique.
- b. **Évitez tout contact physique avec des surfaces reliées à la terre comme des tuyaux, des radiateurs, des fours et des réfrigérateurs par exemple.** Le risque de décharge électrique augmente si votre corps est relié à la terre.
- c. **N'exposez pas les outils électriques à la pluie, ni à l'humidité.** Le risque de décharge électrique augmente si de l'eau pénètre dans un outil électrique.
- d. **Ne tirez pas sur le cordon d'alimentation. N'utilisez jamais le cordon pour transporter, tirer ou débrancher l'outil électrique. Maintenez le cordon à l'écart de la chaleur, des substances grasses, des bords tranchants ou des pièces mobiles.** Les cordons endommagés ou emmêlés augmentent le risque de décharge électrique.
- e. **Si vous utilisez un outil électrique à l'extérieur, utilisez une rallonge homologuée pour les travaux extérieurs.** L'utilisation d'une rallonge électrique homologuée pour les travaux en extérieur réduit le risque de décharge électrique.
- f. **Si l'utilisation d'un outil électrique dans un endroit humide est inévitable, utilisez une alimentation électrique protégée par un disjoncteur différentiel à courant résiduel (DDR).** L'utilisation d'un DDR réduit le risque de décharge électrique.

3. Sécurité des personnes

- a. **Restez vigilant, surveillez ce que vous faites et faites preuve de bon sens lorsque vous utilisez un outil électrique.**
N'utilisez pas d'outils électriques si vous êtes fatigué ou sous l'influence de drogue, d'alcool ou de médicaments. Tout moment d'inattention pendant l'utilisation d'un outil électrique peut engendrer de graves blessures.
- b. **Portez des équipements de protection individuelle. Portez toujours une protection oculaire.** Les équipements de protection comme les masques anti-poussière, les chaussures de sécurité antidérapantes, les casques ou les protections auditives utilisés à bon escient réduisent le risque de blessures.
- c. **Empêchez tout démarrage intempestif. Assurez-vous que l'interrupteur est en position Arrêt avant de raccorder l'outil à l'alimentation électrique et/ou au bloc-batterie ou avant de ramasser ou de transporter l'outil.** Le fait de transporter les outils électriques le doigt sur l'interrupteur ou d'alimenter les outils électriques dont l'interrupteur est déjà en position de marche augmente les accidents.
- d. **Retirez toutes les clés ou pinces de réglage avant de mettre l'outil en marche.** Une clé ou une pince restée fixée sur une pièce rotative de l'outil électrique peut engendrer des blessures.
- e. **Ne vous penchez pas. Gardez les pieds bien ancrés au sol et conservez votre équilibre en permanence.** Cela permet de mieux maîtriser l'outil électrique en cas de situations imprévues.
- f. **Portez des vêtements appropriés. Ne portez aucuns vêtements amples, ni bijoux. Gardez vos cheveux, vos vêtements et vos gants à l'écart des pièces mobiles.** Les vêtements amples, les bijoux ou les cheveux longs peuvent être happés par les pièces mobiles.
- g. **Si vous disposez de dispositifs pour l'extraction et la récupération des poussières, veillez à ce qu'ils soient correctement raccordés et utilisés.**
L'utilisation de dispositifs récupérateurs de poussières réduit les risques liés aux poussières.
- h. **Ne pensez pas être à ce point familiarisé avec l'outil après l'avoir utilisé à de nombreuses reprises, au point de ne plus rester vigilant et d'en oublier les consignes de sécurité.** Toute action imprudente peut engendrer de graves blessures en une fraction de seconde.

4. Utilisation et entretien d'un outil électrique

- a. **Ne sur-sollicitez pas l'outil électrique. Utilisez le bon outil électrique, adapté à la tâche à réaliser.**

Un outil adapté fonctionne mieux, de façon plus sûre et à la cadence pour laquelle il a été conçu.

b. N'utilisez pas l'outil électrique si l'interrupteur ne permet plus de le mettre en marche et de l'éteindre.

Tout appareil électrique qui ne peut plus être commandé par son interrupteur est dangereux et doit être réparé.

c. Débranchez la prise de l'outil électrique de la source d'alimentation électrique et/ou retirez-en le bloc-batterie s'il est amovible, avant d'effectuer tout réglage, de changer un accessoire ou de ranger l'outil électrique. Ces mesures de sécurité préventives réduisent le risque de démarrage accidentel de l'outil électrique.

d. Rangez les outils électriques non utilisés hors de portée des enfants et ne laissez aucune personne ne connaissant pas ces outils ou leurs instructions d'utilisation les faire fonctionner. Les outils électriques peuvent être dangereux entre des mains inexpérimentées.

e. Entretenez vos outils électriques et leurs accessoires. Vérifiez que les pièces mobiles sont alignées correctement et qu'elles ne sont pas coincées. Vérifiez qu'aucune pièce n'est cassée et contrôlez l'absence de toute autre condition qui pourrait nuire au bon fonctionnement de l'outil. En cas de dommage, faites réparer l'outil électrique avant de le réutiliser. De nombreux accidents sont provoqués par des outils électriques mal entretenus.

f. Maintenez les outils de coupe affûtés et propres. Des outils de coupe bien entretenus dont le tranchant est affûté sont moins susceptibles de rester coincés et sont plus faciles à contrôler.

g. Utilisez l'outil électrique, les accessoires et les embouts d'outils conformément à ces instructions, en tenant compte des conditions de travail et de la tâche à effectuer.

L'utilisation d'un outil électrique à des fins autres que celles pour lesquelles il a été prévu engendre des situations dangereuses.

h. Maintenez toutes les poignées et surfaces de préhension sèches, propres et exemptes d'huile et de graisse. Des poignées et des surfaces de préhension glissantes ne permettent pas de manipuler et de contrôler l'outil correctement en cas de situations inattendues.

5. Utiliser et entretenir un outil fonctionnant sur batterie (ne concerne que les outils fonctionnant sur batterie)

a. N'effectuez la recharge qu'à l'aide du chargeur spécifié par le fabricant.

Un chargeur adapté pour un type de bloc-batterie peut engendrer un risque d'incendie s'il est utilisé avec un bloc-batterie différent.

b. N'utilisez l'outil électrique qu'avec les blocs-batteries spécifiquement prévus. L'utilisation d'autres blocs-batteries peut créer un risque de blessures et d'incendie.

c. Lorsque le bloc-batterie n'est pas utilisé, éloignez-le des objets en métal comme les trombones, les pièces de monnaies, les clés, les clous, les vis ou d'autres petits objets métalliques qui pourraient créer une liaison entre les deux bornes. La mise en court-circuit des bornes d'une batterie peut provoquer des brûlures ou un incendie.

d. Dans des conditions extrêmes, du liquide peut être éjecté de la batterie. Évitez tout contact. En cas de contact accidentel, rincez à l'eau. En cas de contact avec les yeux, consultez en plus un médecin. Le liquide sortant de la batterie peut provoquer des irritations ou des brûlures.

e. N'utilisez jamais un bloc-batterie ou un outil qui est endommagé ou qui a été modifié. Les batteries endommagées ou modifiées peuvent avoir un comportement imprévisible qui peut conduire à un incendie, une explosion ou à un risque de blessure.

f. N'exposez pas le bloc-batterie ou l'outil au feu ou à des températures excessives. L'exposition au feu ou à des températures dépassant 130 °C peut provoquer une explosion.

g. Respectez toutes les consignes de mise en charge et ne rechargez pas le bloc-batterie ou l'outil en dehors de la plage de températures spécifiée dans les instructions. Une mise en charge mal effectuée ou à des températures hors de la plage spécifiée peut endommager le bloc-batterie et augmenter le risque d'incendie.

6. Révision/Réparation

a. Faites réviser/réparer votre outil électrique par une personne qualifiée, n'utilisant que des pièces de rechange d'origine. Cela permet de garantir la sûreté de l'outil électrique.

b. Ne réparez jamais un bloc-batterie endommagé. Les réparations sur les blocs-batteries ne doivent être effectuées que le fabricant ou l'un de ses prestataires de services agréés.

Consignes de sécurité concernant toutes les scies

Procédures de coupe

a. ⚠ DANGER : Tenez vos mains à l'écart de la zone de découpe et de la lame. Tenez la poignée auxiliaire ou le carter du moteur de l'autre main.

Si vous tenez la scie à deux mains, vous ne vous couperez pas avec la lame.

- b. Ne passez pas les mains sous l'ouvrage.** Le carter de protection ne vous protège pas de la lame sous la pièce à scier.
- c. Réglez la profondeur de coupe selon l'épaisseur de la pièce.** Moins d'une dent entière de la lame doit apparaître sous l'ouvrage.
- d. Ne tenez jamais les pièces à découper dans vos mains ou entre vos jambes pendant la découpe. Fixez l'ouvrage sur un support stable.** Il est important que la pièce soit correctement soutenue afin de minimiser l'exposition de votre corps, le coincement de la lame ou la perte de contrôle.
- e. Tenez l'outil électrique que par ses surfaces de préhension isolées lorsque vous intervenez là où l'organe de coupe peut entrer en contact avec des fils cachés.** Tout contact avec un fil sous tension peut mettre les parties métalliques exposées de l'outil sous tension et engendrer une décharge électrique à l'utilisateur.
- f. Utilisez toujours une garde longitudinale ou une règle de guidage pour effectuer des coupes longitudinales.** Cela permet d'augmenter la précision de la coupe et de réduire le risque de coincement de la lame.
- g. Utilisez toujours des lames de taille et de forme adaptées au trou de l'axe (losange ou rond par exemple).** Les lames inadaptées aux éléments de montage de la scie tournent de façon excentrique et provoquent des pertes de contrôle.
- h. N'utilisez jamais des rondelles ou des boulons de lame endommagés ou inadaptés.** Les rondelles et boulons de lame ont été spécialement conçus pour votre scie, pour des performances et une sûreté de fonctionnement optimales.

Autres consignes de sécurité concernant toutes les scies

Causes des rebonds et avertissements associés

- Le rebond est la réaction soudaine d'une lame de scie restée pincée, coincée ou désalignée qui provoque le soulèvement incontrôlé de la scie hors de l'ouvrage, vers l'utilisateur ;
- Si la lame reste pincée ou coincée dans un trait de scie refermé, elle cale et la réaction du moteur entraîne rapidement l'outil en arrière, vers l'utilisateur ;
- Si la lame de scie est tordue ou mal orientée dans la coupe, les dents sur le bord arrière de la lame peuvent creuser la surface du bois et ainsi faire remonter la lame hors du trait de scie et la propulser vers l'utilisateur.

Les rebonds sont le résultat d'une utilisation incorrecte de la scie ou de mauvaises conditions ou procédures d'exécution et ils peuvent être évités en prenant les précautions adéquates énoncées ci-dessous :

- a. Tenez fermement la scie à deux mains et placez vos bras de manière à pouvoir résister à la force d'un rebond. Positionnez toujours votre corps d'un côté ou de l'autre de la lame de scie mais jamais dans l'alignement de la lame.** Un rebond peut entraîner la scie vers l'arrière mais la force d'un rebond peut être contrôlée par l'utilisateur à condition de prendre les précautions nécessaires.
- b. Si la lame se coince ou si la coupe est interrompue pour une raison quelconque, relâchez la gâchette et maintenez la scie dans l'ouvrage jusqu'à ce que la lame se soit complètement arrêtée. Ne tenez jamais de sortir la scie de l'ouvrage ou de la tirer en arrière tant que la lame est en mouvement ou qu'un rebond reste possible.** Effectuez des contrôles et prenez les mesures correctives adéquates afin de supprimer la cause du coincement de la lame.
- c. Pour redémarrer une scie restée coincée dans l'ouvrage, centrez la lame de scie dans le trait de scie et vérifiez que ses dents ne sont pas engagées dans la matière.** Si la lame se coince, elle peut se soulever ou rebondir sur l'ouvrage au moment du redémarrage de la scie.
- d. Soutenez les grands panneaux afin de minimiser le risque de coincement de la lame et de rebond.** Les grands panneaux ont tendance à fléchir sous leur propre poids. Les supports doivent être placés sous le panneau des deux côtés, près de la ligne de coupe et près des bords du panneau.
- e. N'utilisez pas de lame émoussée ou endommagée.** Les lames émoussées ou mal installées réduisent le trait de scie entraînant un frottement excessif, la torsion de la lame et un rebond.
- f. Les leviers de verrouillage pour le réglage de la profondeur et du biseau doivent être bien serrés et fixés avant de scier.** Si les réglages de la lame sautent pendant le sciage, la lame peut se coincer et provoquer un rebond.
- g. Prenez toutes les précautions nécessaires pour scier dans des murs existants ou dans des zones à l'aveugle.** La partie saillante de la lame peut sectionner des objets susceptibles de provoquer un rebond.

Consignes de sécurité propres aux scies dotées d'un carter de lame à balancier

Fonctionnement du carter de protection inférieur

- Vérifiez que le carter de protection inférieur se referme correctement avant chaque utilisation. N'utilisez pas la scie si le carter de protection inférieur ne peut pas se déplacer librement et s'il ne se referme pas instantanément. Ne fixez et n'attachez jamais le carter de protection inférieur pour le garder en position ouverte.** Si la scie tombe par accident, le protège-lame peut être tordu. Soulevez le carter de protection inférieur à l'aide de la poignée rétractable, assurez-vous qu'il peut bouger librement et qu'il ne touche ni la lame de scie ni d'autres pièces de la machine, quel que soit l'angle ou la profondeur de coupe.
- Vérifiez le fonctionnement du ressort du carter de protection inférieur. Si le carter de protection et le ressort ne fonctionnent pas correctement, ils doivent être réparés avant utilisation.** Le carter de protection inférieur peut être ralenti si des pièces sont endommagées ou en cas de dépôts collants ou d'accumulation de débris.
- Le carter inférieur ne peut être rétracté manuellement que pour effectuer des coupes spéciales uniquement, comme les "coupes plongeantes" ou les "coupes combinées".** Soulevez le carter de protection inférieur en rétractant la poignée et relâchez-le dès que la lame de scie pénètre dans la matière. Pour toutes les autres opérations, le carter de protection inférieur doit fonctionner en automatique.
- Ne placez jamais la scie sur l'établi ou au sol si le carter inférieur de protection ne recouvre pas la lame de scie.** Une lame sans protection et encore en mouvement ramène la scie en arrière, sciant tout sur son passage. Tenez compte du temps nécessaire à la lame pour s'arrêter une fois l'interrupteur relâché.

Consignes de sécurité supplémentaires propres aux scies circulaires

- **Portez des protections auditives.** L'exposition au bruit peut engendrer une perte de l'ouïe.
- **Portez un masque anti-poussière.** L'exposition aux particules de poussière peut entraîner des problèmes respiratoires et d'éventuelles lésions.
- **N'utilisez pas de lames dont le diamètre est plus grand ou plus petit que celui recommandé.** Référez-vous aux **caractéristiques techniques** pour savoir quelles lames choisir. N'utilisez que les lames mentionnées dans ce manuel, conformes à la norme EN 847-1.

- **N'utilisez que des lames de scie dont la vitesse spécifiée est égale ou supérieure à celle indiquée sur l'outil.**
- **Évitez toute surchauffe des pointes de la lame.**
- **Installez le raccord pour l'extraction des poussières sur la scie avant utilisation.**
- **N'utilisez jamais de disques de tronçonnage abrasifs.**
- **N'utilisez pas d'accessoires ayant besoin d'eau pour fonctionner.**
- **Utilisez des pinces ou tout autre moyen pratique pour fixer et soutenir l'ouvrage sur une plateforme stable.** Tenir l'ouvrage à la main ou contre votre corps le rend instable et peut conduire à une perte de contrôle.

Risques résiduels

Les risques suivants sont inhérents à l'utilisation des scies :

- Les blessures dues contact avec des pièces en rotation.
- Malgré la mise en œuvre des normes de sécurité applicables et la présence de dispositifs de sécurité, certains risques résiduels ne peuvent être évités. Ils comprennent :
- Les troubles de l'ouïe.
 - Les risques d'accidents provoqués par les parties non protégées de la lame de scie en rotation.
 - Le risque de blessure lors du remplacement de la lame.
 - Les risques de coincements de doigts lors de l'ouverture des carters de protection.
 - Les risques sanitaires provoqués par la respiration des poussières émises lors du sciage du bois, notamment le chêne, le hêtre et les panneaux de fibre MDF.

Sécurité des personnes

- Cet outil ne peut pas être utilisé par des personnes (y compris des enfants) ayant des capacités physiques, sensorielles ou mentales réduites, ou celles manquant d'expérience et de connaissances, à moins qu'elles ne soient encadrées ou qu'elles n'aient été formées à l'utilisation de l'outil par une personne responsable de leur sécurité.
- Les enfants doivent être surveillés pour garantir qu'ils ne jouent pas avec l'appareil.

Vibrations

La valeur des émissions de vibrations déclarée dans les caractéristiques techniques et la déclaration de conformité a été mesurée conformément à la méthode de test normalisée établie par la norme EN62841 et peut être utilisée pour comparer un outil à un autre. La valeur des vibrations émises déclarée peut aussi être utilisée pour une évaluation préliminaire à l'exposition.



Avertissement ! En fonction de la manière dont l'outil est utilisé, la valeur réelle des vibrations émises pendant son utilisation peut différer de la valeur déclarée. Le niveau des vibrations peut dépasser le niveau déclaré.

Quand l'exposition aux vibrations est évaluée afin de déterminer les mesures de sécurité requises par la norme 2002/44/CE pour protéger les personnes utilisant régulièrement des outils électriques, l'estimation doit tenir compte des conditions réelles d'utilisation et de la façon dont l'outil est utilisé. Il faut également tenir compte de toutes les composantes du cycle de fonctionnement comme la durée pendant laquelle l'outil est arrêté et quand il fonctionne au ralenti, ainsi que la durée du déclenchement.

Étiquettes apposées sur l'outil

Les symboles suivant figurent sur l'outil avec le code date :



Avertissement ! Afin de réduire le risque de blessures, l'utilisateur doit lire le manuel d'utilisation.

Consignes de sécurité supplémentaires propres aux batteries et chargeurs

Batteries

- Ne tentez de les ouvrir sous aucun prétexte.
- N'exposez pas la batterie à l'eau.
- Ne la rangez pas dans des endroits où la température peut dépasser 40 °C.
- Ne procédez à la charge qu'à une température ambiante comprise entre 10 °C et 40 °C.
- Ne procédez à la charge qu'à l'aide du chargeur fourni avec l'outil.
- Pour la mise au rebut des batteries, respectez les instructions mentionnées à la section "Protection de l'environnement".



N'essayez pas de recharger des batteries endommagées.

Chargeurs

- N'utilisez votre chargeur que pour recharger la batterie fournie avec l'outil. D'autres batteries pourraient exploser et provoquer des blessures et des dommages.
- Ne tentez jamais de recharger des piles non rechargeables.
- Faites immédiatement remplacer les cordons endommagés.
- N'exposez pas le chargeur à l'eau.
- N'ouvrez pas le chargeur.
- Ne sondez pas le chargeur.



Le chargeur est conçu pour être exclusivement utilisé à l'intérieur.

Sécurité électrique



Ce chargeur est doublement isolé et il ne nécessite donc aucun fil de liaison à la terre. Assurez-vous toujours que l'alimentation électrique correspond à la tension mentionnée sur la plaque signalétique.

- Si le câble d'alimentation est endommagé, il doit être remplacé par le fabricant ou par un centre d'assistance STANLEY FATMAX agréé afin d'éviter tout risque éventuel.

Descriptif (Fig. A)



AVERTISSEMENT : Ne modifiez jamais l'outil électrique ni aucune de ses pièces. Il existe sinon un risque de blessures ou de dommages.

1. Interrupteur Marche/Arrêt
2. Bouton de verrouillage
3. Poignée principale
4. Poignée auxiliaire
5. Semelle
6. Lame de la scie
7. Carter de protection inférieur de la lame
8. Levier de retrait du carter de protection inférieur
9. Levier de réglage du biseau
10. Graduation angle de biseau
11. Rondelle de fixation extérieure de la lame
12. Boulon de retenue de la lame
13. Levier de réglage de la profondeur
14. Bouton de verrouillage de l'axe
15. Batterie
16. Bouton de libération de la batterie
17. Clé hexagonale
18. Raccord pour l'extraction des poussières



AVERTISSEMENT : Ne découpez aucuns métaux, matériaux de maçonnerie, verres, carrelages ou plastiques avec cette scie. Une lame émoussée engendre une coupe lente et inefficace provoquant la sur-sollicitation du moteur de la scie, un excès d'éclats et elle augmente les risques de rebonds.

- **N'UTILISEZ PAS** de disques abrasifs.
- N'utilisez que des lames conçues pour la découpe du bois.



AVERTISSEMENT : La découpe de bois recouvert de sève et d'autres matériaux peut provoquer l'accumulation de matière fondue sur les pointes et le corps de la lame de scie, augmentant ainsi le risque de surchauffe et de grippage de la lame pendant la découpe.

NE L'UTILISEZ PAS si les conditions sont humides ou en présence de liquides ou de gaz inflammables.
NE LAISSEZ PAS les enfants manipuler l'outil. La surveillance des utilisateurs inexpérimentés est nécessaire.
NE L'UTILISEZ PAS dans un environnement humide ou en présence de liquides ou de gaz inflammables.

NE LAISSEZ PAS les enfants toucher l'outil. La surveillance des utilisateurs inexpérimentés est nécessaire.

- ◆ **Jeunes enfants et personnes handicapées.** Cet appareil n'est pas prévu pour être utilisé par de jeunes enfants ou des personnes handicapées sans surveillance.
- ◆ Ce produit n'est pas prévu pour être utilisé par des personnes (y compris les enfants) aux capacités physiques, sensorielles ou mentales déficientes ou manquant d'expérience, de connaissances ou de compétences, à moins qu'elles ne soient supervisées par une personne responsable de leur sécurité. Ne laissez jamais les enfants seuls avec ce produit.

Installer et retirer la batterie (Fig. B)

- ◆ Pour installer la batterie (15), alignez-la dans le compartiment sur l'outil. Glissez la batterie dans le compartiment et poussez-la jusqu'à ce qu'elle s'enclenche en place.
- ◆ Pour retirer la batterie, enfoncez le bouton de libération (16) tout en tirant sur la batterie pour l'extraire du compartiment.

Utilisation



AVERTISSEMENT : Laissez l'outil fonctionner à son propre rythme. Ne le poussez pas au-delà de sa capacité. Cet outil convient aux gauchers comme aux droitiers.

Charger la batterie (Fig. B)

La batterie doit être rechargée avant la première utilisation et chaque fois qu'elle n'apporte plus assez de puissance pour les travaux réalisés sans peine auparavant. La batterie peut chauffer pendant la charge. Ce phénomène est normal et n'indique pas un problème.



AVERTISSEMENT : Ne rechargez pas la batterie à une température ambiante inférieure à 10 °C ou supérieure à 40 °C. La température recommandée est d'environ 24 °C.

Remarque : Le chargeur ne recharge pas la batterie si la température de la cellule est inférieure à environ 10 °C ou supérieure à 40 °C. La batterie doit alors être laissée dans le chargeur qui démarre automatiquement la charge quand la température de la cellule augmente ou diminue.

- ◆ Pour recharger la batterie (15), insérez-la dans le chargeur (24). Il n'y a qu'un seul sens d'insertion de la batterie dans le chargeur. Ne forcez pas. Assurez-vous que la batterie est parfaitement en place dans le chargeur.
- ◆ Branchez le chargeur au secteur.

Le témoin de charge (25) clignote.

La charge est terminée lorsque le témoin de charge (25) reste allumé en fixe. Le chargeur et la batterie peuvent rester branchés en permanence. Le témoin s'allume lorsque le chargeur dépasse de temps en temps la charge de la batterie.

- ◆ Rechargez les batteries déchargées dans un délai d'une semaine. La durée de vie de la batterie est considérablement diminuée si elle est stockée déchargée.

Laisser la batterie dans le chargeur

Le chargeur et le bloc-batterie peuvent rester raccordés avec le voyant allumé en continu. Le chargeur maintient le bloc-batterie complètement chargé.

Diagnostics du chargeur

Si le chargeur détecte l'usure ou l'endommagement de la batterie, le témoin de charge (25) clignote rapidement en rouge. Procédez comme suit :

- ◆ Réinsérez la batterie (15).
- ◆ Si le témoin de charge continue de clignoter rapidement en rouge, utilisez une autre batterie pour déterminer si le processus de charge fonctionne correctement.
- ◆ Si la batterie utilisée pour le test se recharge correctement, cela indique que la batterie d'origine est défectueuse et qu'elle doit être renvoyée dans un centre d'assistance pour y être recyclée.
- ◆ Si la nouvelle batterie signale le même problème, demandez à un centre de réparation autorisé de tester le chargeur.

REMARQUE : La détection de la défaillance de la batterie peut prendre jusqu'à 30 minutes. Si la batterie est trop chaude ou trop froide, le témoin alterne un clignotement lent puis un clignotement rapide en rouge et ainsi de suite.

Installer et retirer la lame (Fig. C)

1. Rétractez le carter de lame inférieur et assemblez la lame (6) et la rondelle de fixation extérieure de la lame (11), comme illustré par la figure C.
2. Enfoncez le bouton de verrouillage de l'axe (14) tout en tournant le boulon de retenue de la lame (12) avec la clé à six pans (17), jusqu'à ce que le dispositif de verrouillage de la lame s'engage et que la lame cesse de tourner.

REMARQUE : La clé à six pans est rangée sur la scie, comme illustré par la figure A.

Serrez fermement le boulon de retenue de la lame à l'aide de la clé à six pans.

REMARQUE : Le boulon a un filetage à droite. Pour le desserrer, tournez dans le sens inverse des aiguilles d'une montre. Pour le serrer, tournez dans le sens des aiguilles d'une montre.

REMARQUE : N'enclenchez jamais le dispositif de verrouillage de la lame si la scie est en marche ou pour forcer l'arrêt de l'outil. Ne mettez jamais l'outil en marche si le dispositif de verrouillage de la lame est enclenché. Votre scie pourrait sinon être sérieusement endommagée.

Soutenir les grands panneaux/Sécuriser l'ouvrage (Fig. D-G)

Soutenez les grands panneaux afin de minimiser le risque de pincement de la lame et les rebonds. Les grands panneaux ont tendance à s'affaisser sous leur propre poids, comme illustré par la figure D.

Les supports doivent être placés sous le panneau des deux côtés, près de la ligne de coupe et près des bords du panneau (figure E).



AVERTISSEMENT : Afin de réduire le risque de blessure, ne tenez jamais la pièce à scier dans vos mains et ne la posez pas en travers de vos jambes (figure F).

Fixez l'ouvrage sur un support stable, comme illustré par la figure G. Il est important que la pièce soit correctement soutenue afin de minimiser l'exposition de votre corps, le coincement de la lame ou la perte de contrôle.

Régler la profondeur de coupe (Fig. G-I)

La profondeur de coupe doit être réglée en fonction de l'épaisseur de l'ouvrage.

1. Desserrez le levier de réglage de la profondeur de coupe (13) pour déverrouiller la semelle de la scie (5).
2. Alignez la semelle de la scie à la hauteur de coupe voulue indiquée par le repère de l'échelle graduée.
3. Réglez la profondeur de coupe de la scie de façon qu'une dent (19) de la lame dépasse sous la pièce à scier (20), comme illustré par la figure I.
4. Serrez le levier de réglage de la profondeur pour verrouiller la semelle en place.

Régler l'angle du biseau (Fig. J)

Il est possible de régler cet outil à des angles de biseau compris entre 0° et 56°.

1. Desserrez le levier de réglage du biseau (9) pour déverrouiller la semelle de la scie (5).
2. Déplacez la semelle de la scie à la position voulue correspondant au repère sur l'échelle de graduation des angles de biseau (10).
3. Serrez le levier de réglage du biseau pour verrouiller la semelle en place.
4. Vérifiez la précision du réglage en contrôlant l'angle effectif du biseau sur une chute.

Régler la semelle pour des coupes à 90° (Fig. K)

La semelle (5) a été réglée en usine afin de garantir que la lame est perpendiculaire à la semelle à un angle de biseau de 0°.

Si un réalignement est nécessaire :

1. Réglez le biseau de la scie à 0°.
2. Rétractez le carter de protection inférieur de la lame (7)
3. Desserrez le levier de réglage du biseau (9).

Placez une équerre contre la lame (6) et la semelle (5) pour trouver un angle de 90°.

4. Tournez la vis de calibrage (22) de sorte que la semelle s'arrête au bon angle.
5. Vérifiez la précision du réglage en contrôlant la perpendicularité de la coupe sur une chute.

Interrupteur Marche/Arrêt (Fig. A)

La scie est équipée d'une fonction qui verrouille l'interrupteur afin d'empêcher toute mise en marche accidentelle.

1. Pour faire fonctionner l'outil, appuyez sur le bouton de verrouillage (2) de l'un des côtés de la scie et maintenez-le enfoncé tout en appuyant sur l'interrupteur à gâchette (1).
2. Après avoir enfoncé la gâchette et un fois l'outil en marche, relâchez le bouton de verrouillage. L'outil continue à fonctionner tant que la gâchette reste enfoncée.
3. Pour éteindre l'outil, relâchez l'interrupteur à gâchette.

REMARQUE : Il n'existe aucun moyen de bloquer l'outil en marche et l'interrupteur ne doit jamais être bloqué en position marche par un quelque autre moyen.

Frein électrique automatique

Votre scie est équipée d'un système de freinage électrique de la lame qui arrête la lame de scie dans les 1 à 2 secondes qui suivent le relâchement de la gâchette. Ce système est automatique et il ne nécessite aucun réglage.

Carter de protection inférieur



AVERTISSEMENT : Risque de laceration. Le carter de protection inférieur est un dispositif de sécurité qui réduit le risque de graves blessures. N'utilisez jamais la scie si le carter de protection inférieur est absent, endommagé, mal-installé ou s'il ne fonctionne pas correctement. Ne vous fiez pas au carter de protection inférieur pour vous protéger dans toutes les circonstances. Votre sécurité dépend du respect de tous les avertissements et mesures de précaution, ainsi que de l'utilisation correcte de la scie. Contrôlez que le carter de protection inférieur se ferme correctement avant chaque utilisation, comme décrit dans la section **Consignes de sécurité supplémentaires propres à toutes les scies**. Si le carter de protection inférieur est absent ou s'il ne fonctionne pas correctement, faites d'abord réviser la scie avant de l'utiliser. Pour assurer la sécurité et la fiabilité du produit, les réparations, l'entretien et les réglages doivent être effectués par un centre de service agréé ou par un autre prestataire de service qualifié en utilisant toujours des pièces de rechange identiques.



AVERTISSEMENT : Afin de réduire le risque de blessures, portez toujours une protection oculaire. Le carbure est une matière dure mais cassante.

Les corps étrangers dans l'ouvrage comme les fils ou les clous par exemple peuvent fissurer ou briser les pointes. N'utilisez la scie que si son carter de protection adapté est en place. Installez correctement la lame en respectant le sens de rotation avant l'utilisation et utilisez toujours une lame propre et affûtée.



AVERTISSEMENT : Afin de réduire le risque de blessures graves, il est important de correctement soutenir l'ouvrage et de fermement tenir la scie afin d'éviter toute perte de contrôle qui provoquerait de graves blessures. La figure L illustre la position correcte des mains.



AVERTISSEMENT : Afin de réduire le risque de blessures graves, lisez, assimilez et respectez tous les avertissements importants qui concernent la sécurité et toutes les instructions avant d'utiliser l'outil.

Choix de la lame

Votre scie circulaire est conçue pour utiliser des lames de diamètre 190 mm avec un trou central de 30 mm de diamètre. Les lames doivent être homologuées pour fonctionner à 6000 tr/min (ou plus). N'UTILISEZ PAS de disques abrasifs.

Découpes générales



AVERTISSEMENT : Afin de réduire le risque de blessures, retirez la batterie et respectez toutes les instructions liées à l'assemblage, aux réglages et à l'installation.

Assurez-vous du bon fonctionnement du carter de protection inférieur. Sélectionnez une lame adaptée au matériau à scier.

- Prenez vos mesures et marquez la pièce à scier.
- Soutenez et sécurisez correctement l'ouvrage (consultez *Soutenez les grands panneaux/Sécuriser l'ouvrage*).
- Utilisez les équipements de protection appropriés et nécessaires (consultez *Informations supplémentaires sur la sécurité*).
- Sécurisez et entretenez la zone de travail (consultez *Consignes de sécurité propres à toutes les scies*).
- Batterie installée, assurez-vous que l'interrupteur permet la mise en marche et l'extinction de la scie.

Pour scier



AVERTISSEMENT : Afin de réduire tout risque de blessures graves, tenez toujours l'outil à deux mains.

- Positionnez toujours votre corps d'un côté ou de l'autre de la lame de scie. Ne vous placez jamais dans l'alignement de la lame. Un rebond peut faire sauter la scie vers l'arrière. Consultez *Consignes de sécurité supplémentaires propres à toutes les scies* et *Causes des rebonds et avertissements associés*.
- Laissez la lame tourner librement pendant quelques secondes avant d'entamer la découpe.

- N'exercez qu'une légère pression sur l'outil pendant la découpe.
- Travaillez avec la semelle appuyée contre l'ouvrage.

Conseils pour une utilisation optimale

- Des éclats de bois le long de la ligne de coupe sur le dessus de l'ouvrage étant inévitables, sciez du côté où les éclats sont les plus acceptables.
- Pour limiter les éclats de bois, pendant la découpe de stratifiés par exemple, fixez un morceau de contreplaqué sur le dessus de l'ouvrage.

Découpe de cavité (Fig.M)



AVERTISSEMENT : N'attachez jamais le carter de protection en position relevée. Ne déplacez jamais la scie vers l'arrière pour découper des cavités. Cela pourrait entraîner un soulèvement de la machine hors de la surface de l'ouvrage et provoquer des blessures.

Une découpe de cavité est une découpe faite alors que le bord du matériau ne repose pas le carter de protection inférieur pour l'ouvrir mais que le bord inférieur de la lame scie au centre de la matière.

1. Réglez la semelle (5) de sorte que la lame coupe à la profondeur voulue.
2. Inclinez la scie vers l'avant et reposez l'avant de la semelle sur l'ouvrage à couper.
3. À l'aide du levier qui permet de relever le carter, relevez le carter de protection inférieur en position haute. Abaissez l'arrière de la semelle jusqu'à ce que les dents de la lame touchent presque la ligne de coupe.
4. Relâchez le carter de protection (son contact avec l'ouvrage lui permet de rester en position et de s'ouvrir librement au démarrage de la coupe). Retirez votre main du levier du carter et empoignez fermement la poignée auxiliaire (4), comme illustré par la figure M. Positionnez votre corps et votre bras pour pouvoir résister à un rebond éventuel.
5. Assurez-vous que la lame ne touche pas la surface à scier avant de démarrer la scie.
6. Démarrez le moteur, laissez la scie atteindre sa pleine vitesse puis abaissez progressivement la scie jusqu'à ce que sa semelle repose à plat sur l'ouvrage. Faites avancer la scie le long de la ligne de coupe jusqu'à ce que la coupe soit terminée.
7. Relâchez la gâchette et laissez la lame s'immobiliser complètement avant de retirer la lame de la pièce.
8. Au démarrage de chaque nouvelle coupe, répétez les opérations ci-dessus.

Coupe longitudinale

Votre outil est livré avec une garde longitudinale.

Une coupe longitudinale est une opération qui consiste à couper des planches larges en bandes plus étroites en les sciant dans le sens de la longueur.

Le guidage à la main est plus difficile pour ce type de coupes et l'utilisation d'une garde longitudinale est recommandée.

Extraction de la poussière



AVERTISSEMENT : Risque d'inhalation de poussière. Afin de réduire le risque de blessures, portez **TOUJOURS** un masque anti-poussière homologué.



AVERTISSEMENT : Utilisez **TOUJOURS** un aspirateur conçu conformément aux directives applicables relatives à l'émission de poussières lors du sciage du bois. La plupart des tuyaux d'aspirateurs s'adaptent directement sur la sortie d'extraction des poussières.

Un raccord pour l'extraction des poussières (18) est fourni avec votre outil. Le port pour l'extraction des poussières vous permet de raccorder l'outil à un extracteur de poussière externe.

Maintenance

Votre outil STANLEY FATMAX a été conçu pour fonctionner longtemps avec un minimum d'entretien. Le fonctionnement continu et satisfaisant de l'outil dépend de son bon entretien et de son nettoyage régulier.

Votre chargeur ne nécessite aucun entretien particulier, à l'exception d'un nettoyage régulier.



Avertissement ! Avant de réaliser toute tâche de maintenance sur l'outil, retirez la batterie. Débranchez le chargeur avant de le nettoyer.

- Nettoyez régulièrement les fentes d'aération de votre outil et du chargeur à l'aide d'une brosse souple ou d'un chiffon sec.
- Nettoyez régulièrement le bloc-moteur à l'aide d'un chiffon humide.
N'utilisez pas de détergents abrasifs ou à base de solvants.

Protection de l'environnement



Tri sélectif. Les produits et piles/batteries marqués de ce symbole ne doivent pas être jetés avec les déchets ménagers.

Les produits et batteries contiennent des matières qui peuvent être récupérées et recyclées afin de réduire la demande en matières premières. Veillez à recycler les produits électriques et les batteries/piles conformément aux prescriptions locales en vigueur. Pour plus d'informations, consultez le site www.2helpU.com

Caractéristiques techniques

		SFMC550
Tension d'entrée	V _{cc}	18
Vitesse à vide	min ⁻¹	5 000

Profondeur de coupe maximum	mm	65
Profondeur de coupe en biseau	mm	50
maxi à 45°		
Diamètre de la lame	mm	190
Trou de la lame	mm	30
Largeur des pointes de la lame	mm	1,8
Poids	kg	3,2
L _{PA} (pression sonore) 84,5 dB(A), Incertitude (K) 3 dB(A)		
L _{WA} (puissance sonore) 95,5 dB(A), Incertitude (K) 3 dB(A)		
Valeurs totales des vibrations (somme vectorielle triaxiale) selon la norme EN 62841 :		
Coupe de bois (a _{h, W}) 1.4 m/s ² , incertitude (K) 1.5 m/s ²		
Chargeur	SFMCB11/SFMCB12/SFMCB14	
Tension d'entrée	V _{ca}	230
Tension de sortie	V _{cc}	18
Courant	A	1,25/2,0/4,0
Batterie	SFMCB201/202/204/206	
Tension	V _{cc}	18
Capacité	Ah	1,5/2,0/4,0/6,0
Type	Li-Ion	

Déclaration de conformité CE

DIRECTIVES MACHINES



SFMC550 Scie circulaire

STANLEY FATMAX déclare que les produits décrits dans les "Caractéristiques techniques" sont conformes aux normes : EN62841-1:2015 , EN62841-2-5:2014.

Ces produits sont également conformes aux Directives 2006/42/CE, 2014/30/UE et 2011/65/UE. Pour plus de détails, veuillez contacter STANLEY FATMAX à l'adresse suivante ou vous reporter au dos du manuel.

Le soussigné est responsable de la compilation du dossier technique et il fait cette déclaration au nom de STANLEY FATMAX.

Ed Higgins
 Directeur – Outils électriques grand public
 STANLEY FATMAX Europe, Egide Walschaertsstraat 14-18,
 2800 Mechelen, Belgique
 25/11/2019

Garantie

STANLEY FATMAX est sûr de la qualité de ses produits et offre une garantie de 12 mois à ses clients, à partir de la date d'achat. Cette garantie s'ajoute à vos droits légaux auxquels elle ne porte aucunement préjudice. Cette garantie est valable au sein des territoires des États membres de l'Union Européenne et au sein de la Zone européenne de libre-échange.

Pour prétendre à la garantie, la réclamation doit être en conformité avec les conditions générales de STANLEY FATMAX et vous devez fournir une preuve d'achat au vendeur ou au réparateur agréé.

Les conditions générales de la garantie STANLEY FATMAX de 1 an ainsi que l'adresse du réparateur agréé le plus proche sont disponibles sur le site Internet www.2helpU.com ou en contactant votre agence STANLEY FATMAX locale à l'adresse indiquée dans ce manuel.

Veuillez consulter notre site www.stanleytools.eu/3 pour enregistrer votre nouveau produit STANLEY FATMAX et pour être tenu informé des nouveaux produits et offres spéciales.

ITALIANO

(Traduzione del testo originale)

Usso previsto

La sega STANLEY FATMAX SFMCS550 è stata progettata per segare legno e oggetti in legno. Questo elettro utensile è stato progettato per uso professionale e privato e per utilizzatori non professionisti.

Istruzioni di sicurezza

Avvertenze di sicurezza generali per gli elettro utensili



Avvertenza! Leggere tutte le avvertenze, istruzioni, illustrazioni e specifiche fornite con questo elettro utensile. La mancata osservanza delle istruzioni seguenti può dar luogo a scossa elettrica, incendio e/o lesioni gravi.

Conservare tutte le avvertenze e le istruzioni per riferimenti futuri. Il termine "elettro utensile" utilizzato nelle avvertenze fa riferimento sia agli utensili alimentati tramite la rete elettrica (con cavo), sia a quelli a batteria (senza cavo).

1. Sicurezza dell'area di lavoro

a. Mantenere pulita e ben illuminata l'area di lavoro.

Gli ambienti disordinati o scarsamente illuminati favoriscono gli incidenti.

b. Evitare di usare gli apparecchi elettrici in ambienti esposti a rischio di esplosione, ad esempio in presenza di liquidi, gas o polveri infiammabili. Gli elettro utensili generano scintille che possono incendiare le polveri o i fumi.

c. Durante l'uso di un elettro utensile, tenere lontani i bambini e le altre persone presenti nelle vicinanze. Eventuali distrazioni possono provocare la perdita di controllo dell'elettro utensile.

2. Sicurezza elettrica

a. Le spine degli apparecchi elettrici devono essere adatte alla presa di corrente. Non modificare la spina in alcun modo.

Non utilizzare spine con adattatore con gli elettro utensili dotati di messa a terra. Per ridurre il rischio di scossa elettrica evitare di modificare le spine e utilizzare sempre le prese di corrente appropriate.

b. Evitare il contatto con superfici collegate a terra, quali tubature, termosifoni, fornelli e frigoriferi. Se il corpo dell'utilizzatore è collegato a terra, il rischio di scossa elettrica aumenta.

c. Custodire gli elettro utensili elettrici al riparo dalla pioggia o dall'umidità. Se dovesse penetrare dell'acqua all'interno dell'elettro utensile, il rischio di scossa elettrica aumenta.

d. Non utilizzare il cavo di alimentazione in modo improprio. Non spostare, tirare o scollegare mai l'apparecchio dalla presa di corrente tirandolo dal cavo. Tenere il cavo di alimentazione lontano da fonti di calore, olio, bordi taglienti o parti in movimento. Se il cavo di alimentazione è danneggiato o impigliato, il rischio di scossa elettrica aumenta.

e. Se l'elettro utensile viene utilizzato all'aperto, usare esclusivamente prolunghe omologate per l'impiego all'esterno. L'uso di un cavo di alimentazione adatto per esterni riduce il rischio di scossa elettrica.

f. Se non è possibile evitare di utilizzare un elettro utensile in una zona umida, collegarsi a una rete elettrica protetta da un interruttore differenziale salvavita (RCD). L'uso di un RCD riduce il rischio di scossa elettrica.

3. Sicurezza personale

a. È importante concentrarsi su ciò che si sta facendo e maneggiare con giudizio l'elettro utensile.

Non utilizzare l'elettro utensile quando si è stanchi o sotto l'effetto di sostanze stupefacenti, alcool o medicinali. Un solo attimo di distrazione durante l'uso dell'elettro utensile potrebbe provocare gravi lesioni personali.

b. Usare dispositivi di protezione individuale. Indossare sempre occhiali di protezione. L'uso di dispositivi di protezione, quali maschere antipolvere, scarpe antinfortunistiche antiscivolo, elmetti di sicurezza o protezioni per l'udito, in condizioni opportune consente di ridurre le lesioni personali.

- c. Prevenire l'avvio accidentale. Accertarsi che l'interruttore sia nella posizione di spegnimento, prima di collegare l'elettrodomestico alla rete elettrica e/o alla batteria, di prenderlo in mano o di trasportarlo.** Per non esporsi al rischio di incidenti, non trasportare l'elettrodomestico tenendo le dita sull'interruttore e non collegarlo a una fonte di alimentazione elettrica con l'interruttore in posizione di accensione.
- d. Prima di accendere l'elettrodomestico, rimuovere eventuali chiavi o utensili di regolazione.** Un utensile di regolazione o una chiave fissati a una parte rotante dell'elettrodomestico può provocare lesioni alle persone.
- e. Non sporgersi troppo. Mantenere sempre un appoggio e un equilibrio adeguati.** In tal modo è possibile mantenere un migliore controllo dell'elettrodomestico nelle situazioni impreviste.
- f. Indossare indumenti adeguati. Non indossare abiti larghi o gioielli. Tenere i capelli, i vestiti e i guanti lontani dalle parti mobili.** Abiti larghi, gioielli o capelli lunghi possono impigliarsi nelle parti in movimento.
- g. Se gli elettrodomestici sono provvisti di attacchi per il collegamento di dispositivi di aspirazione o di raccolta delle polveri, assicurarsi che questi siano installati e utilizzati correttamente.** L'impiego di dispositivi per la raccolta delle polveri può ridurre i pericoli legati a queste ultime.
- h. Non lasciare che la familiarità acquisita dall'uso frequente degli elettrodomestici induca a cedere alla tentazione di ignorare i principi di utilizzo sicuro degli stessi.** Un'azione imprudente potrebbe provocare lesioni personali gravi in una frazione di secondo.
- 4. Uso e cura degli elettrodomestici**
- a. Non forzare l'elettrodomestico. Utilizzare l'elettrodomestico adatto per il lavoro da eseguire.** L'elettrodomestico corretto funziona meglio e in modo più sicuro se utilizzato alla velocità per cui è stato progettato.
- b. Non utilizzare l'elettrodomestico se l'interruttore non permette l'accensione o lo spegnimento.** Qualsiasi elettrodomestico che non possa essere controllato tramite l'interruttore è pericoloso e deve essere riparato.
- c. Scollegare la spina dalla presa di corrente e/o rimuovere il pacco batteria dall'elettrodomestico, se rimovibile, prima di effettuare qualsiasi tipo di regolazione, di cambiare gli accessori o di ripararlo.** Queste misure di sicurezza preventive riducono il rischio di azionare accidentalmente l'elettrodomestico.
- d. Conservare gli elettrodomestici non utilizzati fuori dalla portata dei bambini ed evitarne l'uso da parte di persone che abbiano poca familiarità con l'elettrodomestico o con queste istruzioni.** Gli elettrodomestici sono pericolosi in mano a persone inesperte.
- e. Sottoporre elettrodomestici e accessori a manutenzione. Verificare che le parti mobili siano correttamente allineate e non inceppate, che non vi siano componenti rotti e che non sussistano altre condizioni che possono compromettere il funzionamento dell'elettrodomestico. Se l'elettrodomestico è danneggiato, farlo riparare prima dell'uso.** Molti incidenti sono provocati da elettrodomestici non sottoposti a una corretta manutenzione.
- f. Mantenere affilati e puliti gli utensili da taglio.** La manutenzione corretta degli utensili da taglio con bordi affilati riduce le probabilità di inceppamento e ne facilita il controllo.
- g. Utilizzare l'elettrodomestico, gli accessori, le punte, ecc. in conformità alle presenti istruzioni, tenendo conto delle condizioni operative e del lavoro da eseguire.** L'utilizzo dell'elettrodomestico per impieghi diversi da quelli previsti può provocare situazioni di pericolo.
- h. Mantenere le impugnature e le superfici di presa asciutte, pulite e senza tracce di olio o grasso.** Impugnature e superfici di presa scivolose non consentono di maneggiare e controllare in modo sicuro l'elettrodomestico nel caso di imprevisti.
- 5. Uso e cura della batteria (solo per elettrodomestici a batteria)**
- a. Caricare la batteria utilizzando esclusivamente il caricabatterie specificato dal produttore.** Un caricabatterie adatto per un pacco batteria di un determinato tipo di può esporre al rischio d'incendio se usato con un pacco batteria diverso.
- b. Usare gli elettrodomestici esclusivamente con i pacchi batteria specificamente designati.** L'impiego di pacchi batteria di tipo diverso potrebbe comportare il rischio di lesioni alle persone e incendi.
- c. Se il pacco batteria non viene utilizzato, tenerlo lontano da oggetti di metallo come fermagli, monete, chiavi, chiodi, viti o altri piccoli oggetti metallici che possono provocare un contatto dei terminali.** Se i morsetti della batteria vengono cortocircuitati potrebbero provocare ustioni o un incendio.
- d. In condizioni di uso improprio, dalla batteria potrebbe fuoriuscire del liquido; evitare di toccarlo.**

In caso di contatto accidentale, sciacquare con abbondante acqua. Se il liquido entra a contatto con gli occhi, rivolgersi anche a un medico. Il liquido che fuoriesce dalla batteria può causare irritazioni o ustioni.

- e. Non utilizzare un pacco batteria o un utensile danneggiati o modificati.** Le batterie danneggiate o modificate potrebbero manifestare un comportamento imprevedibile con la possibilità di causare un'esplosione o un incendio.
- f. Non esporre un pacco batteria o un utensile al fuoco o a temperature elevate.** L'esposizione al fuoco o a una temperatura superiore a 130 °C potrebbe provocare un'esplosione.
- g. Seguire tutte le istruzioni per la carica e non caricare il pacco batteria o l'elettro utensile a una temperatura che non rientri nell'intervallo di valori specificato nelle istruzioni.** Una carica effettuata in maniera scorretta o a una temperatura che non rientra nell'intervallo di valori specificato potrebbe danneggiare la batteria aumentando il rischio d'incendio.

6. Assistenza

- a. L'elettro utensile deve essere riparato da personale qualificato, che utilizzi ricambi originali identici alle parti da sostituire.** In questo modo viene garantita la sicurezza dell'elettro utensile.
- b. Non riparare i pacchi batteria danneggiati.** Gli interventi di riparazione sulle batterie devono essere eseguiti dal costruttore o da fornitori di assistenza autorizzati.

Istruzioni di sicurezza valide per tutte le seghe

Procedure di taglio

- a. ⚠ PERICOLO: tenere le mani lontane dalla zona di taglio e dalla lama. Tenere la seconda mano sulla leva ausiliaria, o sull'alloggiamento del motore.** Impugnando la sega con entrambe le mani si evita di tagliarsi.
- b. Non sporgersi sotto il pezzo da lavorare.** La protezione inferiore non è in grado di proteggere l'operatore dalla lama nella zona sotto al pezzo in lavorazione.
- c. Regolare la profondità di taglio in base allo spessore del pezzo da lavorare.** Sotto al pezzo dovrebbe essere visibile meno di un dente completo della lama.
- d. Non tenere mai il pezzo da tagliare in mano o appoggiato sulla coscia durante il taglio. Fissare il pezzo in lavorazione su una base di sostegno stabile.**

Per ridurre al minimo il pericolo di un contatto con il corpo, la possibilità di un blocco della lama da taglio oppure la perdita del controllo, è importante fissare bene il pezzo in lavorazione.

- e. Tenere l'elettro utensile afferrando solo le superfici isolate se vi è la possibilità che la lama possa venire a contatto con fili elettrici nascosti.** Il contatto con un cavo sotto tensione trasmette la corrente elettrica anche alle parti metalliche esposte dell'elettro utensile e può provocare la folgorazione dell'operatore.
- f. Quando si esegue un taglio lungovena usare una guida pezzo o una riga.** In questo modo è possibile migliorare la precisione del taglio riducendo il pericolo che la lama possa incepparsi.
- g. Usare sempre lame delle dimensioni e forme corrette (diamante piuttosto che rotondo) dei fori di sostegno.** Lame non adatte ai relativi pezzi di fissaggio avranno una rotazione eccentrica causando la perdita di controllo dell'elettro utensile.
- h. Non usare mai rondelle e viti della lama danneggiate o non corrette.** Le rondelle e le viti per lama sono appositamente concepite per questa sega, allo scopo di raggiungere prestazioni ottimali con la massima sicurezza di utilizzo.

Istruzioni di sicurezza aggiuntive per tutte le seghe

Cause del contraccolpo e relative avvertenze

- Un contraccolpo è la reazione improvvisa provocata da una lama da taglio rimasta agganciata, inceppata o non correttamente allineata, comportando un movimento incontrollato della sega che salza dal pezzo in lavorazione e si sposta in direzione dell'operatore.
- Quando la lama rimane agganciata oppure si inceppa nella fessura del taglio che si restringe, si blocca e la potenza del motore fa balzare la macchina indietro in direzione dell'operatore.
- Se la lama si contorce o non è allineata nel taglio, i denti all'estremità posteriore della lama possono scavare nella superficie superiore del legno facendo uscire la lama dal banco e facendola saltare verso l'operatore.

Il contraccolpo è il risultato di un uso sbagliato della sega e/o di metodi o condizioni di lavoro scorretti e può essere evitato adottando le opportune precauzioni descritte di seguito:

- a. Afferrare saldamente la sega con entrambe le mani e posizionare le braccia in modo da poter far fronte ai contraccolpi. Posizionare il corpo su ambo i lati della lama, ma non in linea con la lama.** In caso di contraccolpo la sega può rimbalzare all'indietro; tuttavia, adottando le appropriate precauzioni l'operatore può essere in grado di controllarlo.

- b. Quando la lama si inceppa, oppure quando, per una qualsiasi ragione, si interrompe l'operazione di taglio, rilasciare il grilletto e tenere la sega immobile nel pezzo fino a quando la lama si è arrestata del tutto. Non tentare mai di rimuovere la sega dal pezzo in lavorazione o tirare indietro la sega mentre la lama è in movimento, perché si potrebbe verificare un rimbalzo.** Esaminare e intraprendere azioni correttive per eliminare le cause che inceppano la lama.
- c. Quando si riavvia una sega nel pezzo, centrare la lama nel taglio in modo che i denti della sega non facciano presa nel materiale.** Una lama da taglio inceppata può balzare fuori dal pezzo in lavorazione oppure provocare o causare un contraccolpo quando la sega viene riavviata.
- d. Sostenere i pannelli di grandi dimensioni per minimizzare il rischio che la lama rimanga pinzata e provochi un contraccolpo.** I pannelli più grandi tendono a incurvarsi sotto il loro stesso peso. Sotto tali pannelli, è necessario inserire da entrambi i lati dei supporti idonei, sia lungo la linea di taglio che lungo i bordi.
- e. Non usare lame crepate o danneggiate.** Lame crepate o posizionate male producono un taglio stretto causando un attrito eccessivo, l'inceppamento della lama e dei contraccolpi.
- f. Le leve di bloccaggio per la regolazione di profondità e inclinazione smusso devono essere ben strette e sicure prima di eseguire il taglio.** Se la regolazione della lama si sposta durante il taglio potrebbe causare inceppamenti e contraccolpi.
- g. Prestare una maggiore attenzione quando si praticano dei tagli con la sega in pareti esistenti o in altre zone con scarsa visibilità.** La lama da taglio che inizia il taglio su oggetti nascosti può bloccarsi e provocare un rimbalzo.

Istruzioni di sicurezza per seghe con paralama a pendolo

Funzione della protezione inferiore

- a. Verificare che la protezione inferiore si chiuda correttamente prima di ciascun utilizzo. Non adoperare la sega se la protezione inferiore non si muove liberamente e si chiude istantaneamente. Non bloccare né legare mai la protezione inferiore in posizione aperta.** Se la sega dovesse accidentalmente cadere a terra, è possibile che la protezione inferiore subisca una deformazione.

Operando con la leva di ritorno, sollevare la protezione inferiore e accertarsi che possa muoversi liberamente in ogni angolazione e profondità di taglio senza toccare né la lama né nessun altro pezzo.

- b. Controllare il funzionamento della molla della protezione inferiore. Se la protezione e la molla non funzionano bene, devono essere riparate prima dell'uso.** Componenti danneggiati, depositi di sporizia appiccicosi o accumuli di trucioli comportano una riduzione della funzionalità della protezione inferiore.
- c. La protezione inferiore può essere ritratta manualmente solo per tagli speciali come quelli "a tuffo" e quelli "compositi". Sollevare la protezione inferiore mediante la leva di ritorno e rilasciarla non appena la lama da taglio sarà penetrata nel pezzo in lavorazione. Per tutte le altre operazioni di taglio, la protezione inferiore deve funzionare automaticamente.**
- d. Osservare sempre che la protezione inferiore copra la lama prima di appoggiare la sega sul banco o pavimento.** Una lama non protetta o che gira a vuoto fa spostare all'indietro la sega, tagliando tutto ciò che trova lungo il percorso. Tenere quindi sempre in considerazione la fase di arresto della sega.

Ulteriori istruzioni di sicurezza per seghe circolari

- **Utilizzare dispositivi di protezione per l'udito.**
L'esposizione al rumore può causare la perdita dell'udito.
- **Indossare una maschera anti-polvere.** L'esposizione alle particelle di polvere può causare problemi respiratori e possibili lesioni personali.
- **Non utilizzare lame di diametro maggiore o minore di quello consigliato.** Per conoscere la corretta dimensione della lama da utilizzare consultare la sezione **Dati tecnici**. Utilizzare soltanto le lame specificate in questo manuale, conformi alla norma EN 847-1.
- **Utilizzare esclusivamente lame contrassegnate con una velocità pari o superiore alla velocità contrassegnata sull'elettrotensile.**
- **Evitare il surriscaldamento delle punte della lama.**
- **Installare la porta di aspirazione polveri sulla sega prima dell'uso.**
- **Non impiegare dischi da taglio abrasivi.**
- **Non utilizzare accessori con alimentazione ad acqua.**
- **Usare morse o altri metodi pratici per fissare e bloccare il pezzo in lavorazione a una piattaforma stabile.** Tenere il lavoro con le mani o contro il corpo non assicura la stabilità e potrebbe portare ad una perdita del controllo.

Rischi residui

I seguenti rischi sono inerenti all'uso delle seghe circolari:

● lesioni personali causate dal contatto con le parti rotanti. Malgrado il rispetto delle norme di sicurezza pertinenti e l'uso di dispositivi di sicurezza adeguati, alcuni rischi residui non possono essere evitati. Tali rischi sono:

- menomazioni uditive;
- rischio di infortuni causati dalle parti non coperte della lama in rotazione;
- rischio di lesioni personali subite durante la sostituzione della lama.
- rischio di schiacciamento delle dita durante l'apertura delle protezioni;
- pericoli per la salute causati dall'inalazione dalle polveri che si generano durante il taglio del legno, in particolare del legno di quercia e faggio, e del MDF.

Sicurezza altrui

- Questo elettroutensile non è stato progettato per l'impiego da parte di persone portatrici di handicap fisici, psichici o sensoriali di qualsiasi età, o di soggetti che non siano in possesso della dovuta esperienza o conoscenza, salvo che siano seguite o opportunamente istruite sul suo impiego da parte di una persona responsabile della loro sicurezza.
- I bambini devono essere sorvegliati per assicurarsi che non giochino con l'elettroutensile.

Vibrazione

I valori di emissione di vibrazione dichiarati, indicati al capitolo "Dati tecnici" e nella Dichiarazione di conformità di questo manuale, sono stati misurati attenendosi a un metodo di prova standard previsto dalla normativa EN62841 e possono essere usati come termine di paragone tra due utensili. Il valore di emissione di vibrazione dichiarato può anche essere usato per una valutazione preliminare dell'esposizione.



Avvertenza! Il livello di emissione di vibrazione durante l'uso effettivo dell'elettroutensile può differire dal valore dichiarato, a seconda delle modalità di utilizzo dell'elettroutensile. Il livello di emissione di vibrazione potrebbe superare il valore dichiarato.

Quando si valuta l'esposizione alla vibrazione per stabilire le misure di sicurezza richieste, in conformità alla normativa 2002/44/CE destinata alla protezione delle persone che usano regolarmente elettroutensili nello svolgimento delle proprie mansioni lavorative, è necessario prendere in considerazione le condizioni effettive di utilizzo e il modo in cui l'elettroutensile viene usato, oltre che tenere conto di tutte le componenti del ciclo operativo, vale a dire i periodi in cui l'elettroutensile è spento, quelli in cui è acceso ma a riposo e quelli in cui viene effettivamente utilizzato.

Etichette sull'apparecchio

Sull'elettroutensile sono presenti i seguenti simboli assieme al codice data:



Avvertenza! Per ridurre il rischio di lesioni personali, l'utilizzatore deve leggere il manuale di istruzioni.

Istruzioni di sicurezza aggiuntive per batterie e caricabatterie

Batterie

- Non tentare mai di aprire la batteria per alcun motivo.
- Non lasciare che la batteria si bagni.
- Non riporre in luoghi dove la temperatura potrebbe superare 40 °C.
- Caricare la batteria solo a temperature ambiente comprese tra 10 e 40 °C.
- Caricare la batteria solo utilizzando il caricabatterie fornito con l'elettroutensile.
- Quando si smaltiscono le batterie, seguire le istruzioni riportate nella sezione "Tutela ambientale".



Non tentare di caricare batterie danneggiate.

Caricabatterie

- Usare il caricabatterie solo per caricare la batteria nell'elettroutensile con il quale è stato fornito. Batterie di tipo diverso potrebbero scoppiare, causando lesioni alle persone e danni materiali.
- Non tentare mai di caricare batterie non ricaricabili.
- Fare sostituire immediatamente i cavi di alimentazione difettosi.
- Non lasciare che il caricabatterie si bagni.
- Non aprire il caricabatterie.
- Non collegare il caricabatterie a sonde.



Il caricabatterie è destinato solo all'uso in ambienti chiusi.

Sicurezza elettrica



Il doppio isolamento di cui è provvisto il caricabatterie rende superfluo il filo di terra. La tensione di alimentazione elettrica fornita deve corrispondere al valore nominale indicato sulla targhetta.

- In caso di danneggiamento del cavo di alimentazione, è necessario farlo riparare dal fabbricante o presso un centro di assistenza STANLEY FATMAX autorizzato in modo da evitare eventuali pericoli.

Descrizione (Fig. A)



AVVERTENZA: non modificare mai l'elettroutensile né alcuna sua parte. Ne potrebbero derivare danni materiali o lesioni alle persone.

1. Interruttore di accensione/spengimento
2. Pulsante di blocco di sicurezza
3. Impugnatura principale

4. Impugnatura secondaria
5. Scarpetta
6. Lama
7. Protezione inferiore della lama
8. Leva per ritrarre la protezione inferiore
9. Leva di regolazione dell'inclinazione smusso
10. Scala dell'angolo di inclinazione smusso
11. Rondella esterna di bloccaggio lama
12. Vite di ritegno lama
13. Leva di regolazione profondità
14. Pulsante di blocco del mandrino
15. Batteria
16. Pulsante di rilascio batteria
17. Chiave a brugola
18. Presa per aspirazione polveri



AVVERTENZA: non tagliare metallo, prodotti in muratura, vetro, piastrelle o plastica con questa sega. Una lama smussata causerà un taglio lento e inefficiente, un sovraccarico del motore della sega e la formazione di schegge e potrebbe aumentare la possibilità di contraccolpo.

- **NON** usare dischi abrasivi.
- Utilizzare solo lame progettate per tagliare il legno.



AVVERTENZA: Il taglio di legno ricoperto di resina e altri materiali può causare l'accumulo del materiale sciolto sulle punte e sul corpo della lama della sega, aumentando il rischio di surriscaldamento e inceppamento della lama durante il taglio.

NON utilizzare l'elettrotensile in condizioni di umidità o in presenza di liquidi infiammabili o gas.

NON consentire ai bambini di entrare in contatto con l'elettrotensile. L'uso di questo elettrotensile da parte di persone inesperte deve avvenire sotto sorveglianza.

NON utilizzare l'elettrotensile in condizioni di umidità o in presenza di liquidi infiammabili o gas.

NON consentire ai bambini di entrare in contatto con l'utensile. L'uso di questo elettrotensile da parte di persone inesperte deve avvenire sotto sorveglianza.

- **Bambini e infermi.** Questo elettrotensile non è concepito per l'uso da parte di bambini piccoli o persone inferme senza adeguata supervisione.
- Questo prodotto non è destinato all'uso da parte di persone portatrici di handicap fisici, psichici o sensoriali di qualsiasi età o prive di esperienza e conoscenza, a meno che non siano sorvegliate o abbiano ottenuto istruzioni riguardo all'uso dell'elettrotensile da parte di una persona responsabile della loro sicurezza. I bambini non devono mai essere lasciati da soli con questo prodotto.

Installazione e rimozione della batteria (Fig. B)

- ◆ Per installare la batteria (15), allinearla all'apposito scomparto sull'elettrotensile. Infilare la batteria nell'apposito scomparto e premerla fino a quando si aggancia in sede.

- ◆ Per rimuovere la batteria, premere i pulsanti di rilascio (16) estraendo al tempo stesso la batteria dal rispettivo scomparto.

Uso



AVVERTENZA: lasciare che l'elettrotensile funzioni al proprio ritmo. Non sovraccaricarlo. Questo elettrotensile può essere usato con la mano destra o con quella sinistra.

Carica della batteria (Fig. B)

La batteria deve essere caricata prima dell'impiego iniziale e quando non eroga una potenza sufficiente per svolgere lavori che prima era possibile eseguire facilmente. Durante la carica, la batteria potrebbe riscaldarsi. Si tratta di un fatto normale che non indica la presenza di un problema.



AVVERTENZA: non caricare la batteria a temperature ambientali inferiori a 10 °C o superiori a 40 °C. La temperatura di carica consigliata è di circa 24 °C.

Nota: il caricabatterie non carica la batteria se la temperatura delle celle è inferiore a 10° C o superiore 40 °C circa. La batteria deve essere lasciata nel caricabatterie, il quale inizierà a caricare automaticamente quando la temperatura delle celle aumenta o diminuisce, a seconda dei casi.

- ◆ Per caricare la batteria (15), inserirla nell'alimentatore (24). La batteria può essere inserita nel caricabatterie solo in un verso. Non forzare. Accertarsi che la batteria sia completamente inserita nel caricabatterie.

- ◆ Collegare il caricabatterie alla presa di corrente.

L'indicatore di carica (25) lampeggia.

La carica è completa quando l'indicatore di carica (25) rimane acceso fisso. Il caricabatterie e la batteria possono essere lasciati collegati alla presa di corrente per un tempo indefinito. Il LED si accende quando il caricabatterie di tanto in tanto rabbocca la carica della batteria.

- ◆ Caricare le batterie scariche entro 1 settimana. La durata delle batterie si riduce parecchio se sono conservate scariche.

Batteria lasciata nel caricabatterie

Il caricabatterie e il pacco batteria possono essere lasciati collegati con il LED acceso fisso per un tempo indefinito. Il caricabatterie manterrà il pacco batteria come nuovo e completamente carico.

Diagnostica del caricabatterie

Se il caricabatterie rileva che la batteria è quasi scarica o danneggiata, l'indicatore di carica (25) inizia a lampeggiare velocemente di rosso. Procedere come descritto di seguito:

- ◆ Inserire di nuovo la batteria (15).

- ◆ Se l'indicatore di carica continua a lampeggiare di rosso a un ritmo veloce, usare una batteria diversa per determinare se il ciclo di carica funziona correttamente.
- ◆ Se la batteria di ricambio si carica correttamente, significa che quella originale è difettosa e che deve essere resa a un centro di assistenza per essere riciclata.
- ◆ Se anche con la nuova batteria l'indicatore si comporta nello stesso modo, portare il caricabatterie presso un centro di assistenza autorizzato per farlo controllare.

NOTA: per stabilire se la batteria è difettosa possono essere necessari anche 30 minuti. Se il pacco batteria è troppo caldo o troppo freddo, il LED lampeggia di rosso a un ritmo alternato veloce e lento, con un lampeggio veloce e uno lento ripetuti nel tempo.

Montaggio e rimozione della lama (Fig. C)

1. Ritirare la protezione inferiore e assemblare la lama (6) e la rondella del morsetto di bloccaggio lama esterna (11), come illustrato nella Figura C.
2. Premere il pulsante di blocco alberino (14) facendo ruotare la vite di ritegno della lama (12) con la chiave a brugola (17) finché il blocco della lama si innesta e la lama smette di girare.

NOTA: la chiave a brugola è alloggiata sulla sega, come illustrato nella Figura A.

Serrare a fondo la vite di ritegno della lama con la chiave esagonale.

NOTA: la filettatura della vite è destrorsa. Per allentare la vite, ruotarla in senso antiorario. Per serrarla, ruotarla in senso antiorario.

NOTA: non innestare mai il blocco della lama quando la sega è accesa, né per cercare di arrestarla. Non accendere mai la sega quando il blocco dell'alberino è innestato. In quanto subirebbe danni gravi.

Sostegno dei pannelli di grandi dimensioni / Fissaggio del pezzo da lavorare (Figg. D-G)

Sorreggere i pannelli più grandi per limitare il rischio che la lama si incasti o causi dei contraccolpi. I pannelli più grandi tendono a incurvarsi sotto il proprio peso, come illustrato nella Figura D.

Sotto questi pannelli, è necessario inserire da entrambi i lati dei supporti idonei, sia lungo la linea di taglio che lungo il bordo. (Figura E).



AVVERTENZA: per ridurre il rischio di lesioni personali non tenere fermo il pezzo in lavorazione con le mani né tra le gambe (Figura F).

Fissare il pezzo in lavorazione a una base di sostegno stabile, come illustrato nella Figura G. Per ridurre al minimo il pericolo di un contatto con il corpo, la possibilità di un blocco della lama da taglio oppure la perdita del controllo, è importante fissare bene il pezzo in lavorazione.

Regolazione della profondità del taglio (Figg. G-I)

La profondità del taglio deve essere regolata in base allo spessore del pezzo da lavorare.

1. Allentare la leva di regolazione della profondità (13) per sbloccare la scarpetta della sega (5).
2. Allineare la scarpetta della sega con la profondità di taglio desiderata marcata sulla scala graduata della cinghia di regolazione profondità.
3. Regolare la profondità in modo che un solo dente (19) della lama fuoriesca sotto il pezzo da lavorare (20), come illustrato nella Figura I.
4. Serrare la leva di regolazione profondità per bloccare in sede la scarpetta.

Regolazione dell'angolo di inclinazione smusso (Fig. J)

Su questo elettroutensile è possibile regolare gli angoli di inclinazione smusso tra 0° e 56°.

1. Allentare la leva di regolazione dell'angolo di inclinazione smusso (9) in modo da sbloccare la scarpetta della sega (5).
2. Spostare la scarpetta nella posizione desiderata in corrispondenza delle marcature dell'angolo di inclinazione smusso sulla rispettiva scala di regolazione (10).
3. Serrare la leva di regolazione dell'inclinazione smusso per bloccare in sede la scarpetta.
4. Verificare la precisione della regolazione controllando l'angolo di inclinazione smusso di un taglio reale realizzato su un pezzo di materiale di scarto.

Regolazione del pattino di scorrimento per tagli a 90° (Fig. K)

La scarpetta della sega (5) è stata tarata dalla fabbrica in modo da assicurare che la lama sia perpendicolare al pattino nella posizione corrispondente a un angolo di inclinazione smusso di 0°.

Se è necessario eseguire l'allineamento:

1. Regolare la sega a un angolo d'inclinazione smusso di 0°.
2. Ritirare la protezione inferiore della lama (7).
3. Allentare la leva di regolazione dell'inclinazione smusso (9). Posizionare una squadra contro la lama (6) e la scarpetta (5) per regolare l'angolo a 90°.
4. Girare la vite di taratura (22) in modo che la scarpetta si fermi all'angolo corretto.
5. Verificare la precisione dell'impostazione controllando la squadratura di un taglio effettivo su un materiale di scarto.

Interruttore di accensione/spegnimento (Fig. A)

L'elettroutensile è dotato di un pulsante di sicurezza che blocca l'interruttore di accensione/spegnimento della sega per impedire che sia avviata accidentalmente.

1. Per mettere in funzione l'elettrotensile premere il pulsante di sicurezza (2) da uno dei lati della sega e, mantenendolo premuto, premere il grilletto di accensione/spegnimento (1).
2. Dopo avere premuto il grilletto di accensione/spegnimento e una volta avviata la sega, rilasciare il pulsante di blocco di sicurezza. L'elettrotensile continua a funzionare fino a quando non viene rilasciato il grilletto di accensione/spegnimento.
3. Per spegnere l'elettrotensile, rilasciare grilletto di azionamento.

NOTA: questo elettrotensile non prevede il blocco del grilletto di accensione/spegnimento nella posizione di accensione ed esso non deve essere bloccato in tale posizione con nessun altro metodo.

Freno elettrico automatico

La sega è provvista di un freno elettrico che arresta la lama entro 1-2 secondi dal rilascio del grilletto di accensione/spegnimento. Questo freno è automatico e non necessita alcuna regolazione.

Protezione della lama inferiore



AVVERTENZA: pericolo di lacerazione. La protezione della lama inferiore è una funzione di sicurezza che riduce il rischio di subire gravi lesioni personali. Non utilizzare mai la sega se la protezione inferiore è mancante, danneggiata, assemblata erroneamente o non funziona correttamente. Non fare affidamento sulla protezione della lama inferiore in qualsiasi evenienza. La sicurezza dell'utente dipende anche dal rispetto di tutte le avvertenze e precauzioni, nonché dal funzionamento corretto della sega. Verificare che la protezione inferiore si chiuda correttamente prima di ogni utilizzo come descritto nella sezione **Istruzioni di sicurezza aggiuntive per tutte le seghe**. Se la lama inferiore è mancante o non funziona correttamente, far riparare la sega prima dell'uso. Per garantire la sicurezza e l'affidabilità del prodotto, la riparazione, manutenzione e regolazione devono essere effettuate presso un centro di assistenza autorizzato o da un'organizzazione di assistenza qualificata, utilizzando sempre parti di ricambio identiche.



AVVERTENZA: per ridurre al minimo il rischio di lesioni agli occhi, indossare sempre un dispositivo di protezione per gli occhi adeguato. Il carburo è un materiale duro, ma friabile. Oggetti estranei presenti nel pezzo in lavorazione, come fili metallici o chiodi, possono causare la rottura o lo spezzamento delle punte. Utilizzare la sega soltanto se è stata installata una protezione della lama appropriata. Montare la lama saldamente nel senso di rotazione corretto prima dell'uso e usare sempre una lama pulita e affilata.



AVVERTENZA: per ridurre il rischio di lesioni alle persone, sostenere adeguatamente il pezzo da lavorare e tenere saldamente la sega per impedire la perdita di controllo. La Figura L illustra come sostenere tipicamente il pezzo con le mani.



AVVERTENZA: per ridurre il rischio di gravi lesioni personali, leggere, comprendere e seguire tutte le importanti avvertenze di sicurezza e le istruzioni prima di utilizzare l'elettrotensile.

Selezione della lama

Questa sega circolare è stata progettata per l'uso con lame del diametro di 190 mm e con un foro centrale del diametro di 30 mm. Le lame devono essere classificate per il funzionamento a 6000 giri/min o (a una velocità superiore). NON usare dischi abrasivi.

Tagli generici



AVVERTENZA: per ridurre il rischio di lesioni personali, rimuovere la batteria e seguire tutte le istruzioni di montaggio, taratura e regolazione.

Assicurarsi che la protezione inferiore della lama funzioni correttamente. Scegliere la lama corretta per il materiale da tagliare.

- Misurare e tracciare punti di riferimento per il taglio sul pezzo da lavorare.
- Sostenere e fissare correttamente il pezzo da lavorare (vedere la sezione **Sostegno dei pannelli di grandi dimensioni / Fissaggio del pezzo da lavorare**).
- Utilizzare i dispositivi di sicurezza adeguati richiesti (vedere la sezione **Informazioni di sicurezza aggiuntive**).
- Garantire la sicurezza e la manutenzione dell'area di lavoro (vedere la sezione **Istruzioni di sicurezza valide per tutte le seghe**).
- Con la batteria inserita, accertarsi che la sega si accenda e si spenga.

Segatura



AVVERTENZA: per ridurre il rischio di gravi lesioni personali, sostenere sempre l'elettrotensile con entrambe le mani.

- Tenere il corpo posizionato su ambo i lati della lama, ma non in linea con la lama. Il contraccolpo potrebbe far saltare indietro la sega. Vedere le sezioni **Istruzioni di sicurezza aggiuntive per tutte le seghe e Cause del contraccolpo e relative avvertenze**.
- Prima di iniziare a tagliare, lasciare che la lama ruoti liberamente per alcuni secondi.
- Esercitare solo una leggera pressione sull'elettrotensile mentre si esegue il taglio.
- Lavorare con il piedino di scorrimento lama premuto contro il pezzo da lavorare.

Consigli per un impiego ottimale

- Dato che non è possibile evitare un certo grado di scheggiatura lungo la linea di taglio sul lato superiore del pezzo, tagliare dal lato dove tale scheggiatura è accettabile.
- Se è necessario limitare al minimo tale scheggiatura, ad esempio quando si tagliano dei laminati, attaccare con dei morsetti una striscia di compensato sulla parte superiore del pezzo.

Taglio a tasca (Fig. M)



AVVERTENZA: non legare mai la protezione della lama in posizione sollevata. Non spostare mai la sega all'indietro durante il taglio a tasca. Questo potrebbe provocare il sollevamento dell'unità dalla superficie di lavoro, provocando la possibilità di lesioni.

Un taglio a tasca viene realizzato quando il bordo del materiale non apre la protezione inferiore, ma il bordo inferiore della lama che gira taglia il materiale nel centro.

1. Regolare la scarpetta della sega (5) in modo tale che la lama tagli alla profondità desiderata.
2. Inclinare la sega in avanti e appoggiare la parte anteriore del pattino di scorrimento sul materiale da tagliare.
3. Utilizzando l'apposita leva, ritrarre la protezione della lama inferiore nella posizione superiore. Abbassare la parte posteriore del pattino di scorrimento finché i denti della lama sfiorano quasi la linea di taglio.
4. Rilasciare la protezione della lama (il suo contatto con il pezzo da lavorare la manterrà in posizione di libera apertura quando si avvia il taglio). Togliere la mano dalla leva della protezione e afferrare saldamente l'impugnatura ausiliaria (4), come illustrato nella Figura M. Posizionare il corpo e il braccio in modo da poter resistere al contraccolpo, qualora si dovesse verificare.
5. Assicurarsi che la lama non sia a contatto con la superficie di taglio prima di avviare la sega.
6. Avviare il motore e lasciare che la lama raggiunga la piena velocità, quindi abbassare gradualmente la sega finché la scarpetta rimane appoggiata al materiale da tagliare. Far avanzare la sega lungo la linea di taglio finché non viene completato il taglio.
7. Rilasciare il grilletto e lasciare che la lama si arresti completamente prima di estrarre la lama dal materiale.
8. Quando si avvia ogni nuovo taglio, ripetere quanto sopra.

Rifilatura

In dotazione con l'elettrotensile viene fornita una guida per rifilatura.

La rifilatura è il processo di taglio delle tavole più larghe in listelli più sottili - tagliando la grana nel senso della lunghezza. Il controllo manuale è più difficoltoso per questo tipo di taglio e si consiglia l'uso di una guida per rifilatura.

Aspirazione delle polveri



AVVERTENZA: rischio di inalazione delle polveri.

Per ridurre il rischio di lesioni personali, indossare **SEMPRE** una maschera anti-polvere approvata.



AVVERTENZA: durante le operazioni di segatura del legno, impiegare **SEMPRE** dispositivi di aspirazione delle polveri conformi alle direttive pertinenti relative all'emissione di polveri. I flessibili della maggior parte degli aspiratori per polveri più diffusi si innestano direttamente nella bocchetta per l'aspirazione delle polveri.

L'elettrotensile è provvisto di una presa per l'aspirazione delle polveri (18). Essa consente di collegare l'elettrotensile a un dispositivo di aspirazione polveri esterno.

Manutenzione

Questo elettrotensile STANLEY FATMAX è stato progettato per funzionare a lungo con una manutenzione minima.

Prestazioni sempre soddisfacenti dipendono da una cura appropriata e da una pulizia regolare.

Il caricabatterie non richiede alcuna manutenzione, ad eccezione di una pulizia regolare.



Avvertenza! Prima di eseguire interventi di manutenzione sull'apparecchio estrarre la batteria.

Scollegare il caricabatterie dalla presa di corrente prima di pulirlo.

- Pulire regolarmente le prese di ventilazione dell'elettrotensile e del caricabatterie con un pennello o con un panno morbido e asciutto.
- L'alloggiamento del motore deve essere pulito regolarmente con un panno umido.
Non utilizzare materiali abrasivi o detergenti a base di solventi.

Tutela ambientale



Raccolta differenziata. I prodotti e le batterie contrassegnati con questo simbolo non devono essere smaltiti insieme ai normali rifiuti domestici.

I prodotti e le batterie contengono materiali che possono essere recuperati o riciclati riducendo la richiesta di materie prime. Riciclare i prodotti e le batterie in base alle normative locali pertinenti. Ulteriori informazioni sono disponibili all'indirizzo www.2helpU.com.

Dati tecnici

		SFMC550
Tensione d'ingresso	V _{dc}	18
Velocità a vuoto	min ⁻¹	5.000
Profondità max. del taglio	mm	65

Profondità massima del taglio con un angolo di inclinazione smusso di 45°	mm	50
Diametro lama	mm	190
Alesatura lama	mm	30
Larghezza denti lama	mm	1,8
Peso	kg	3,2
L_{PA} (pressione sonora) 84,5 dB(A), incertezza (K) 3 dB(A)		
L_{WA} (potenza sonora) 95,5 dB(A), incertezza (K) 3 dB(A)		
Valori totali di vibrazione (somma vettore triassiale) calcolati in conformità alla norma EN 62841:		
Taglio del legno (a _{h,W}) 1.4 m/s ² , incertezza (K) 1.5 m/s ²		
Caricabatterie SFMCB11/SFMCB12/SFMCB14		
Tensione in ingresso	V _{ca}	230
Tensione erogata	V _{cc}	18
Corrente	A	1,25/2,0/4,0
Batteria SFMCB201/202/204/206		
Tensione	V _{cc}	18
Capacità	Ah	1,5/2,0/4,0/6,0
Tipo		Ioni di litio

Dichiarazione di conformità CE

DIRETTIVA MACCHINE



SFMCS550 Sega circolare

STANLEY FATMAX dichiara che i prodotti descritti nella sezione "Dati tecnici" sono conformi alle seguenti norme: EN62841-1:2015, EN62841-2-5:2014.

Questi prodotti sono conformi alla Direttiva 2006/42/CE, 2014/30/UE e 2011/65/UE. Per ulteriori informazioni, contattare STANLEY FATMAX al seguente indirizzo oppure consultare l'ultima di copertina del manuale.

Il firmatario è responsabile della compilazione del documento tecnico e rende questa dichiarazione per conto di STANLEY FATMAX.

Ed Higgins

Direttore - Consumer Power Tools

STANLEY FATMAX Europe, Egide Walschaertsstraat 14-18,
2800 Mechelen, Belgio

25/11/2019

Garanzia

STANLEY FATMAX è sicura della qualità dei propri prodotti e offre ai consumatori una garanzia di 12 mesi dalla data di acquisto. Questa garanzia aggiuntiva non pregiudica in alcun modo i diritti del consumatore previsti dalla legge. La garanzia è valida sui territori degli stati membri dell'Unione Europea o dell'EFTA (Associazione europea di libero scambio).

Per attivare la garanzia, il reclamo deve essere effettuato in accordo con i Termini e Condizioni STANLEY FATMAX e sarà necessario presentare la prova di acquisto al venditore o all'agente di riparazione autorizzato.

I Termini e Condizioni della garanzia STANLEY FATMAX di 1 anno e la sede dell'agente di riparazione autorizzato più vicino sono consultabili su Internet all'indirizzo www.2helpU.com, o contattando l'ufficio STANLEY FATMAX di zona all'indirizzo indicato in questo manuale.

Visita il nostro sito www.stanleytools.eu/3 per registrare il prodotto STANLEY FATMAX appena acquistato e ricevere aggiornamenti sui nuovi prodotti e offerte speciali.

(Vertaling van de originele instructies)

NEDERLANDS**Bedoeld gebruik**

De STANLEY FATMAX SFMCS550zaag is ontworpen voor het zagen van hout en houtproducten. Dit gereedschap is bedoeld voor professionele en voor niet-professionele gebruikers.

Instructies voor de veiligheid**Algemene veiligheidswaarschuwingen voor elektrisch gereedschap**

Waarschuwing! Lees alle veiligheidswaarschuwingen, instructies, illustraties en specificaties die bij dit gereedschap zijn meegeleverd. Het niet opvolgen van alle onderstaande instructies kan leiden tot een elektrische schok, brand en/of ernstig letsel.

Bewaar alle waarschuwingen en instructies zodat u deze later ook kunt raadplegen. De term "elektrisch gereedschap" in de hieronder vermelde waarschuwingen verwijst naar het (met een snoer) op de netspanning aangesloten elektrisch gereedschap of naar (snoerloos) elektrisch gereedschap met een accu.

1. Veiligheid op de werkplek

- Houd het werkgebied schoon en goed verlicht.** Op rommelige of donkere plekken kunnen gemakkelijk ongelukken gebeuren.
- Beden elektrisch gereedschap niet in een explosieve omgeving, zoals in de nabijheid van ontvlambare vloeistoffen, gassen of stof.** Elektrisch gereedschap veroorzaakt vonken die het stof of de dampen kunnen doen ontbranden.

- c. **Houd kinderen en omstanders op een afstand wanneer u elektrisch gereedschap bedient.** Als u wordt afgeleid, kunt u de controle over het gereedschap verliezen.
2. **Elektrische veiligheid**
- a. **Stekkers van elektrisch gereedschap moeten in het stopcontact passen. Pas de stekker nooit op enigerlei wijze aan.**
Gebruik geen adapterstekkers met geaard elektrisch gereedschap. Niet-aangepaste stekkers en passende contactdozen verminderen het risico van een elektrische schok.
- b. **Vermijd lichamelijk contact met geaarde oppervlakken zoals buizen, radiatoren, fornuizen en koelkasten.** Er bestaat een verhoogd risico op een elektrische schok als uw lichaam geaard is.
- c. **Stel elektrisch gereedschap niet bloot aan regen of natte omstandigheden.** Als er water elektrisch gereedschap binnendringt, verhoogt dit het risico van een elektrische schok.
- d. **Behandel het netsnoer voorzichtig. Draag het elektrisch gereedschap nooit aan het snoer, trek het gereedschap nooit aan het snoer naar u toe, en trek de stekker nooit aan het snoer uit het stopcontact. Houd het snoer uit de buurt van warmte, olie, scherpe randen of bewegende onderdelen.** Beschadigde snoeren of snoeren die in de war zijn geraakt, verhogen het risico van een elektrische schok.
- e. **Gebruik, wanneer u elektrisch gereedschap buitenshuis gebruikt, een verlengsnoer dat geschikt is voor gebruik buitenshuis.** Het gebruik van een verlengsnoer dat geschikt is voor werken buitenshuis, vermindert het risico van een elektrische schok.
- f. **Als het werken met elektrisch gereedschap op een vochtige locatie onvermijdelijk is, zorg er dan voor dat de stroomvoorziening beveiligd is met een aardlekschakelaar.** Het gebruik van een aardlekschakelaar vermindert het risico van een elektrische schok.
3. **Persoonlijke veiligheid**
- a. **Blijf alert, kijk wat u doet en gebruik uw gezond verstand wanneer u met elektrisch gereedschap werkt.**
Gebruik het gereedschap niet wanneer u vermoeid bent of onder invloed van drugs, alcohol of medicatie. Een moment van onoplettendheid tijdens het werken met elektrisch gereedschap kan leiden tot ernstig persoonlijk letsel.
- b. **Draag persoonlijke beschermende kleding. Draag altijd oogbescherming.** Beschermende uitrusting, zoals een stofmasker, antislip veiligheidsschoenen, een helm, of gehoorbescherming, gebruikt in de juiste omstandigheden, zal het risico van persoonlijk letsel verminderen.
- c. **Zorg ervoor dat het gereedschap niet per ongeluk kan worden gestart. Controleer dat de schakelaar in de stand Uit (Off) staat voor u het gereedschap aansluit op de stroombron en/of de accu plaatst en voor u het gereedschap oppakt en draagt.** Het dragen van elektrisch gereedschap met uw vinger op de schakelaar of het van stroom voorzien van elektrisch gereedschap waarvan de schakelaar in de stand Aan staat, kan gemakkelijk leiden tot ongelukken.
- d. **Verwijder alle stelsleutels of moersleutels voordat u het elektrisch gereedschap inschakelt.** Een steeksleutel of stelsleutel die in een ronddraaiend onderdeel van het elektrisch gereedschap is achtergebleven, kan persoonlijk letsel veroorzaken.
- e. **Reik niet buiten uw macht. Blijf te allen tijde stevig in evenwicht en met beide voeten op de grond staan.** Dit zorgt voor betere controle van het elektrisch gereedschap in onverwachte situaties.
- f. **Draag de juiste kleding. Draag geen loszittende kleding of sieraden. Houd uw haar, kleding en handschoenen uit de buurt van bewegende onderdelen.** Loszittende kleding, sieraden of lang haar kunnen door bewegende delen worden gegrepen.
- g. **Als er in apparaten wordt voorzien voor het aansluiten van apparatuur voor stofafzuiging of het opvangen van stof, zorg er dan voor dat deze goed wordt aangesloten en gebruikt.** Het gebruik van stofafzuiging kan aan stof gerelateerde gevaren verminderen.
- h. **Denk niet dat u, doordat u het gereedschap veel hebt gebruikt, het allemaal wel weet en dat u de veiligheidsbeginselen kunt negeren.** Een onvoorzichtige actie kan in een fractie van een seconde ernstig letsel tot gevolg hebben.
4. **Gebruik en verzorging van elektrisch gereedschap**
- a. **Forceer het elektrisch gereedschap niet. Gebruik het juiste elektrisch gereedschap voor uw toepassing.**
Het juiste elektrisch gereedschap voert de werkzaamheden waarvoor het is ontworpen, beter en veiliger uit.
- b. **Gebruik het gereedschap niet als u het niet met de schakelaar in en uit kunt schakelen.** Ieder gereedschap dat niet met de schakelaar kan worden bediend, is gevaarlijk en moet worden gerepareerd.

- c. **Haal de stekker uit het stopcontact en/of neem de accu, als deze uitneembaar is, uit het gereedschap voordat u aanpassingen uitvoert, accessoires verwisselt, of het elektrisch gereedschap opbergt.** Dergelijke preventieve veiligheidsmaatregelen verminderen het risico dat het elektrisch gereedschap per ongeluk wordt gestart.
 - d. **Bewaar gereedschap dat niet wordt gebruikt, buiten het bereik van kinderen en laat niet toe dat personen die onbekend zijn met het elektrisch gereedschap of deze instructies het gereedschap bedienen.** Elektrisch gereedschap is gevaarlijk in de handen van ongetrainde gebruikers.
 - e. **Onderhoud elektrisch gereedschap en accessoires goed. Controleer op verkeerde uitlijning en het aanlopen van bewegende onderdelen, breuk van onderdelen en andere omstandigheden die de werking van het elektrisch gereedschap nadelig kunnen beïnvloeden. Laat het gereedschap voor gebruik repareren, als het is beschadigd.** Veel ongelukken worden veroorzaakt doordat elektrisch gereedschap niet goed is onderhouden.
 - f. **Houd gereedschap scherp en schoon.** Goed onderhouden gereedschap loopt minder snel vast en is gemakkelijker onder controle te houden.
 - g. **Gebruik het elektrische gereedschap, de accessoires en gereedschapsonderdelen, enz. in overeenstemming met deze instructies, waarbij u rekening houdt met de werkomstandigheden en de uit te voeren werkzaamheden.**
Gebruik van het elektrische gereedschap voor werkzaamheden die anders zijn dan het bedoelde gebruik, kunnen leiden tot een gevaarlijke situatie.
 - h. **Houd de handgrepen en oppervlakken die u beet pakt, droog, schoon en vrij van olie en vet.** Door gladde handgrepen en oppervlakken die u beet pakt, kan veilig werken en bedienen van het gereedschap in onverwachte situaties onmogelijk worden.
- 5. Gebruik en verzorging van accugereedschap (alleen voor accugereedschap)**
- a. **Laad de accu alleen op met de lader die wordt opgegeven door de fabrikant.** Een lader die geschikt is voor het ene type accu, kan een risico van brand doen ontstaan bij gebruik met een andere accu.
 - b. **Gebruik elektrisch gereedschap alleen in combinatie met specifiek vermelde accu's.** Het gebruik van andere accu's kan gevaar voor letsel en brand opleveren.
- c. **Houd de accu, wanneer u deze niet gebruikt, weg bij andere metalen objecten zoals paperclips, munten, sleutels, spijkers, schroeven of andere kleine metalen voorwerpen die een verbinding tot stand kunnen brengen tussen de ene pool en de andere.** Als kortsluiting tussen de polen van de accu's wordt gemaakt, kunnen brandwonden of brand worden veroorzaakt.
 - d. **Wanneer de accu niet goed wordt behandeld, kan er vloeistof uit de accu spuiten, vermijd contact met deze vloeistof. Als er per ongeluk contact ontstaat, spoel dan met water. Als de vloeistof in de ogen komt, roep dan tevens medische hulp in.** Vloeistof die uit de batterij komt, kan irritatie en brandwonden veroorzaken.
 - e. **Werk niet met accu's of gereedschap die zijn beschadigd is of waaraan wijzigingen zijn aangebracht.** Beschadigde of gemodificeerde accu's kunnen zich onvoorspelbaar gedragen en dat kan brand, explosie of een risico van letsel tot gevolg kan hebben.
 - f. **Stel een accu of gereedschap niet bloot aan open vuur of uitzonderlijk hoge temperatuur.** Brand of een temperatuur boven de 130 °C kunnen de accu doen exploderen.
 - g. **Volg alle instructies voor het opladen en laad de accu of het gereedschap niet op buiten het temperatuurbereik dat in de instructies wordt opgegeven.** Door op onjuiste wijze opladen of opladen bij een temperatuur buiten het opgegeven bereik kan de accu beschadigd raken en het risico van brand toenemen.
- 6. Service**
- a. **Zorg dat u gereedschap wordt onderhouden door een erkende reparateur die uitsluitend identieke vervangende onderdelen gebruikt.** Dit garandeert dat de veiligheid van het gereedschap behouden blijft.
 - b. **Probeer nooit beschadigde accu's te repareren.** De reparaties aan accu's mogen alleen worden uitgevoerd door de fabrikant of door geautoriseerde servicecentra.
- Veiligheidsvoorschriften voor alle zagen**
- Zaagprocedures**
- a. **⚠ GEVAAR: Houd uw handen verwijderd van het zaaggebied en het zaagblad. Houd uw tweede hand op de hulphandgreep, of op de motorbehuizing.** Als beide handen de zaag vasthouden, kunnen zij niet in aanraking met het zaagblad komen.
 - b. **Reik niet onder het werkstuk.** Onder het werkstuk kan de beschermkap u niet beschermen tegen het zaagblad.

- c. **Pas de zaagdiepte aan aan de dikte van het werkstuk.** Minder dan een volledige tand van de zaagbladtanden moet zichtbaar zijn onder het werkstuk.
- d. **Houd nooit een werkstuk dat u zaagt in uw handen of tegen uw been gedrukt. Zet het werkstuk vast op een stabiele ondergrond.** Het is belangrijk dat het werkstuk goed wordt ondersteund zodat blootstelling van het lichaam, vastlopen van het zaagblad of het verlies van controle tot een minimum worden beperkt.
- e. **Houd het gereedschap vast bij de geïsoleerde greepoppervlakken wanneer u een handeling uitvoert waarbij het accessoire van het zaaggereedschap in aanraking kan komen met verborgen bedrading.** Contact met bedrading die onder stroom staat, kan metalen onderdelen van het gereedschap onder stroom zetten en de gebruiker een elektrische schok geven.
- f. **Gebruik, wanneer u overlangs gaat zagen, altijd een langsegeleider of een richtliniaal.** Dat verbetert de nauwkeurigheid van de zaagsnede en vermindert de kans dat het zaagblad vastloopt.
- g. **Gebruik altijd zaagbladen van de juiste omvang en vorm (ruitvormig tegenover rond) van het asgat.** Zaagbladen die niet passen bij de montagevoorziening van de zaag zullen excentrisch lopen, waardoor verlies van controle ontstaat.
- h. **Gebruik nooit beschadigde of onjuiste zaagbladringen of een onjuiste zaagbladbout.** De zaagbladringen en -bout zijn speciaal voor uw zaag ontworpen, voor optimale prestaties en veiligheid in gebruik.

Nadere veiligheidsvoorschriften voor alle zagen

Oorzaken van terugslag en bijbehorende waarschuwingen

- Terugslag is een plotselinge reactie op een bekneld, vastgelopen of verkeerd uitgelijnd zaagblad, waarbij een zaag zonder controle omhoog komt uit het werkstuk in de richting van de gebruiker;
- Wanneer het zaagblad bekneld raakt of vastloopt doordat de zaagsnede zich sluit, loopt het zaagblad vast en wordt de unit door de reactie van de motor snel in de richting van de gebruiker geduwd;
- Als het zaagblad krom wordt of verkeerd uitgelijnd raakt in de zaagsnede, kunnen de tanden aan de achterzijde van het zaagblad zich in het bovenoppervlak van het hout vreten, waardoor het zaagblad uit de zaagsnede omhoog klimt naar de gebruiker toe.

Terugslag is het gevolg van een verkeerd gebruik en/of onjuiste gebruiksomstandigheden van de zaag en kan worden voorkomen door geschikte voorzorgsmaatregelen te nemen zoals hieronder worden vermeld:

- a. **Blijf de zaag stevig met beide handen vasthouden en plaats uw armen zodanig dat u een eventuele terugslag kunt tegenhouden. Plaats uw lichaam aan één van beide zijden van het zaagblad, maar niet in lijn met het zaagblad.** Door terugslag kan de zaag naar achteren springen, maar de krachten van de terugslag kunnen door de gebruiker worden gecontroleerd, als de juiste voorzorgsmaatregelen worden genomen.
- b. **Wanneer het blad vast komt te zitten, of wanneer u het zagen om welke reden dan ook wilt onderbreken, laat u de schakelaar los en houdt u de zaag zonder beweging in het materiaal totdat het blad tot volledige stilstand is gekomen. Probeer nooit de zaag uit het werkstuk te trekken of de zaag naar achteren te trekken terwijl het zaagblad loopt of wanneer terugslag zich kan voordoen.** Zoek naar de oorzaak van het vastlopen en neem de geschikte maatregelen om die oorzaak te verhelpen.
- c. **Centreer het zaagblad in de zaagsnede wanneer u een zaag opnieuw start in het werkstuk, zodat de zaagtanden niet in het materiaal vastzitten.** Als een zaagblad is vastgelopen, kan het omhoog komen of terugslaan uit het werkstuk als de zaag opnieuw wordt gestart.
- d. **Ondersteun grote panelen zodat het risico van het bekneld raken van het zaagblad en van terugslag tot een minimum wordt beperkt.** Grote panelen kunnen onder hun eigen gewicht doorzakken. Er moet aan beide zijden ondersteuning onder het paneel worden geplaatst, dicht bij de zaagsnede en dicht bij de rand van het paneel.
- e. **Gebruik geen botte of beschadigde bladen.** Bij niet-geslepen of onjuist geplaatste zaagbladen krijgt u een nauwe zaagsnede, ontstaat te veel wrijving, komt het zaagblad vast te zitten en treedt terugslag op.
- f. **Vergrendelingen van de zaagbladdiepte en afschuinhoek moeten goed vastzitten voor u gaat zagen.** Als het zaagblad tijdens het zagen verschuift, kan het vast komen te zitten en treedt terugslag op.
- g. **Wees extra voorzichtig wanneer u in bestaande muren of andere 'blinde' gebieden zaagt.** Het vooruitstekende zaagblad kan voorwerpen zagen die terugslag kunnen veroorzaken.

Veiligheidsinstructies voor zagen met een Slinger-zaagbladbeschermer

Functie van onderste beschermer

- a. Controleer voor ieder gebruik dat de onderste zaagbladbeschermer goed sluit. Gebruik de zaag niet als de onderste beschermer niet vrij beweegt en zich niet ogenblikkelijk sluit. Klem of bind de onderste beschermer nooit vast in een geopende stand. Als de zaag per ongeluk valt, kan de onderste beschermer worden gebogen. Breng de onderste beschermer met de terugtrekkende handgreep omhoog en controleer dat de kap vrij kan bewegen en onder geen enkele hoek en bij geen enkele zaagdiepte het zaagblad of een ander onderdeel raakt.
- b. Controleer het veermechanisme voor de onderste beschermer. Als de beschermer en de veer niet goed werken, moeten zij vóór gebruik worden nagezien. Mogelijk werkt de onderste beschermer traag als gevolg van beschadigde onderdelen, ingedikte resten van smeermiddelen of opeenhoping van vuil.
- c. U mag de onderste beschermer alleen handmatig omhooghouden bij speciale bewerkingen, zoals invalzaagsneden en samengestelde zaagsneden. Breng de onderste beschermer omhoog door de handgreep naar achteren te halen en laat de kap los zodra het zaagblad in het materiaal dringt. Voor alle andere zaagwerkzaamheden moet de onderste beschermer automatisch functioneren.
- d. Let er altijd goed op dat de onderste beschermer het zaagblad bedekt voordat u de zaag op een werkbank of op de vloer zet. Als het zaagblad niet afgeschermd is kan het uitlopende zaagblad de zaag naar achteren laten lopen en kan alles wat de zaag tegenkomt beschadigd raken. Houd rekening met de tijd die het zaagblad nodig heeft om tot stilstand te komen nadat u de schakelaar hebt losgelaten.

Aanvullende veiligheidsinstructies voor cirkelzagen

- **Draag gehoorbescherming.** Blootstelling aan lawaai kan gehoorverlies veroorzaken.
- **Draag een stofmasker.** Blootstelling aan stofdeeltjes kan ademhalingsproblemen en mogelijk letsel veroorzaken.
- **Gebruik geen zaagbladen met een grotere of kleinere diameter dan wordt aanbevolen.** Raadpleeg de technische gegevens voor de juiste maten van het zaagblad. Gebruik alleen de zaagbladen die worden opgegeven in deze handleiding, en die voldoen aan EN 847-1.

- Gebruik alleen zaagbladen waarop een snelheid wordt vermeld die gelijk is aan of hoger is dan de snelheid die op het gereedschap wordt vermeld.
- Voorkom oververhitting van de tanden van het zaagblad.
- Installeer vóór gebruik de stofafzuigpoort op de zaag.
- Gebruik nooit slijpschijven.
- Gebruik geen hulpstukken voor de toevoer van water.
- Zet het werkstuk met klemmen of op een andere praktische manier vast en ondersteun het op een stabiele ondergrond. Wanneer u het werkstuk vasthoudt met de hand of het tegen uw lichaam gedrukt houdt, is het instabiel en kunt u de controle verliezen.

Overige risico's

De volgende risico's horen bij het gebruik van zagen:

- Letsel door het aanraken van bewegende delen. Zelfs als de veiligheidsvoorschriften in acht worden genomen en de veiligheidsvoorzieningen worden geïmplementeerd, kunnen bepaalde risico's niet worden vermeden. Dit zijn:
 - Gehoorbeschadiging.
 - Risico van ongelukken veroorzaakt door onbedekte delen van het roterende zaagblad.
 - Risico van letsel bij het verwisselen van de zaag.
 - Risico van het knellen van vingers bij het openen van de beschermkappen.
 - Gezondheidsrisico's door het inademen van stof dat ontstaat bij het zagen van hout, vooral eikenhout, beukenhout en MDF.

Veiligheid van anderen

- Dit gereedschap mag niet worden gebruikt door personen (waaronder kinderen) die geen ervaring of geestelijk mindervalide zijn of die geen ervaring met of kennis van dit gereedschap hebben, tenzij ze onder toezicht staan of instructies krijgen wat betreft het gebruik van het gereedschap van een persoon die verantwoordelijk is voor hun veiligheid.
- Houd toezicht op kinderen zodat zij niet met het apparaat kunnen spelen.

Trilling

De in de technische gegevens en de Conformiteitsverklaring aangegeven waarden voor trillingsemisatie, zijn gemeten volgens een standaardtestmethode die door EN62841 wordt verstrekt. Hiermee kan het ene gereedschap met het andere worden vergeleken. De verklaarde trillingsemisiewaarde kan ook worden gebruikt voor een voorlopige beoordeling van blootstelling.



Waarschuwing! De trillingsemisiewaarde tijdens werkelijk gebruik van het elektrisch gereedschap kan verschillen van de verklaarde waarde, afhankelijk van de manieren waarop het gereedschap wordt gebruikt. De trillingswaarde kan toenemen tot boven het vermelde niveau.

Bij het beoordelen van blootstelling aan trilling ter vaststelling van de veiligheidsmaatregelen die worden vereist volgens 2002/44/EG ter bescherming van personen die in hun werk regelmatig elektrisch gereedschap gebruiken, moet een schatting van de blootstelling aan trilling de feitelijke gebruiksomstandigheden en de manier waarop het gereedschap wordt gebruikt in overweging nemen, en ook rekening houden met alle onderdelen van de bedrijfscyclus zoals het aantal malen dat het gereedschap wordt uitgeschakeld en dat het gereedschap stationair draait, in aanvulling op de ingeschakelde tijd.

Etiketten op het gereedschap

Naast de datumcode is het gereedschap voorzien van de volgende symbolen:



Waarschuwing! Beperk het risico van letsel, de gebruiker moet de instructiehandleiding lezen.

Aanvullende veiligheidsinstructies voor accu's en laders

Accu's

- Probeer nooit de accu om welke reden dan ook open te maken.
- Stel de batterijen niet bloot aan water.
- Bewaar deze niet op locaties met temperaturen van meer dan 40 °C.
- Laad de accu's alleen op bij een omgevingstemperatuur van 10°C en 40°C.
- Gebruik alleen de lader die bij het apparaat is geleverd.
- Gooi lege accu's weg volgens de instructies in het gedeelte "Het milieu beschermen".



Laad beschadigde accu's niet op.

Laders

- Gebruik de lader alleen voor de accu's in het apparaat waarbij de lader is bijgeleverd. Andere accu's kunnen exploderen met lichamelijk letsel en materiële schade als gevolg.
- Probeer nooit niet-oplaadbare accu's mogen nooit worden opgeladen.
- Laat defecte snoeren direct vervangen.
- Stel de lader niet bloot aan water.
- Open de lader niet.
- Prik nooit met een scherp voorwerp in de lader.



De lader is uitsluitend bestemd voor gebruik binnenshuis.

Elektrische veiligheid



Deze lader is dubbel geïsoleerd, zodat een aardeaansluiting niet nodig is. Controleer altijd dat de stroomvoorziening overeenkomt met de aanduiding van de spanning op het typeplaatje.

- Als het netsnoer is beschadigd moet het door de fabrikant of een geautoriseerd STANLEY FATMAX Servicecentrum worden vervangen zodat gevaarlijke situaties worden voorkomen.

Beschrijving (Afb. A)



WAARSCHUWING: Pas het gereedschap of een onderdeel ervan nooit aan. Dit kan schade of persoonlijk letsel tot gevolg hebben.

1. Aan/Uit-schakelaar
2. Knop voor vergrendeling in de uit-stand
3. Hoofdhandgreep
4. Hulphandgreep
5. Zool
6. Zaagblad
7. Onderste zaagbladbeschermpak
8. Hendel voor het naar achteren halen van de onderste beschermpak
9. Hendel voor aanpassing van de schuine hoek
10. Schaalverdeling schuine hoek
11. Ring buitenste zaagbladklem
12. Borgbout zaagblad
13. Hendel voor diepteafstelling
14. Asvergrendelknop
15. Accu
16. Accu-ontgrendelknop
17. Inbussleutel
18. Poort voor stofafzuiging



WAARSCHUWING: Zaag geen metalen, metselwerk, glas, tegels of kunststof met deze zaag. Een bot zaagblad maakt dat het zagen langzaam en inefficiënt verloopt, de motor wordt overbelast, er uitzonderlijk veel splinters ontstaan en de mogelijkheid van de terugslag zou kunnen toenemen.

- **GEBRUIK GEEN** slijpschijven.
- Gebruik alleen zaagbladen die zijn ontworpen voor het zagen van hout.



WAARSCHUWING: Door het zagen van nat hout en andere materialen kunnen zich gesmolten stoffen op de tip van het zaagblad en op het zaagblad zelf afzetten, waardoor het risico van oververhitting en van vastlopen van het zaagblad tijdens het zagen kan toenemen.

NIET gebruiken in natte omstandigheden of in de aanwezigheid van ontvlambare vloeistoffen of gassen.

LAAT NIET kinderen in contact met het gereedschap komen. Toezicht is vereist als onervaren gebruikers met dit gereedschap werken.

NIET TE GEBRUIKEN onder natte omstandigheden of op een plaats waar brandbare vloeistoffen of gassen zijn.

LAAT NIET KINDEREN in contact met het gereedschap komen. Toezicht is vereist als onervaren gebruikers met dit gereedschap werken.

- ◆ **Jonge kinderen en personen met een zwakke gezondheid.** Dit apparaat is niet bedoeld voor gebruik door jonge kinderen en personen met een zwakke gezondheid, zonder toezicht.
- ◆ Dit product is niet bedoeld voor gebruik door personen (waaronder kinderen) die verminderde fysieke, zintuiglijke of psychische mogelijkheden hebben; wanneer sprake is van gebrek aan ervaring, kennis of vaardigheden is gebruik alleen toegestaan onder toezicht van een persoon die verantwoordelijk is voor de veiligheid van gebruikers. Laat nooit kinderen alleen met dit product.

De accu plaatsen en verwijderen (Afb. B)

- ◆ U plaatst de accu (15) door deze op één lijn te plaatsen met het contragedeelte op het gereedschap. Schuif de accu in het vak en duw tot de accu op z'n plaats klikt.
- ◆ Als u de accu wilt verwijderen, drukt u op de vrijgaveknoppen (16) en trekt u tegelijkertijd de accu uit het contragedeelte.

Gebruik



WAARSCHUWING: Laat het gereedschap op z'n eigen snelheid werken. Overbelast het niet. Dit gereedschap kan linkshandig en rechtshandig worden gebruikt.

De accu laden (Afb. B)

De accu moet vóór het eerste gebruik worden opgeladen en ook zodra deze niet meer voldoende vermogen levert voor taken die eerst gemakkelijk konden worden uitgevoerd. Tijdens het opladen kan de accu warm worden. Dit is normaal en duidt niet op een probleem.



WAARSCHUWING: Laad de batterij niet op bij een omgevingstemperatuur van lager dan 10 °C of hoger dan 40 °C. De aanbevolen laadtemperatuur ligt op ongeveer 24 °C.

Opmerking: De accu wordt niet opgeladen als de temperatuur van de accu onder ongeveer 10°C of boven 40°C is. Laat de accu in de lader zitten. De accu wordt automatisch opgeladen zodra de temperatuur van de accu is gestegen of gedaald.

- ◆ Als u de accu (15) wilt opladen, schuift u de accu in de lader (24). De accu past maar op één manier in de lader. Oefen er geen kracht op uit. Controleer dat de accu goed in de lader is geplaatst.
- ◆ Steek de stekker van de lader in een stopcontact.

De oplaadindicator (25) gaat knipperen.

Als het lampje (25) continu brandt, is de accu volledig opgeladen. Het lader en de accu kunnen voor onbepaalde tijd verbonden blijven. Het lampje wordt ingeschakeld wanneer de lader de accu van tijd tot tijd bijlaadt.

- ◆ Lege accu's moet u binnen 1 week opladen. Als u accu's leeg bewaart loopt de levensduur van de accu's aanzienlijk terug.

De accu in de lader laten zitten

U kunt de accu voor onbepaalde tijd in de lader laten zitten terwijl het oplaadlampje brandt. De lader houdt de accu volledig opgeladen.

Diagnosefunctie van de lader

Als de lader waarneemt dat de accu bijna leeg is of beschadigd is, gaat het indicatielampje van de lader (25) snel rood knipperen. Ga in dat geval als volgt te werk:

- ◆ Plaats de accu (15) opnieuw.
- ◆ Als het oplaadlampje snel rood blijft knipperen, controleer dan met een andere accu of de laadprocedure wel goed verloopt.
- ◆ Als de andere accu goed wordt opgeladen, is de oorspronkelijke accu defect. Breng de accu naar een servicecentrum voor recycling.
- ◆ Als het lampje ook bij de andere accu snel knippert, moet u de lader laten testen bij een erkend servicecentrum.

NB: Het kan soms 30 minuten duren om na te gaan of de accu goed functioneert. Als de accu te warm of te koud is, knippert het lampje afwisselend snel en langzaam rood.

Het zaagblad bevestigen en verwijderen (Afb. C)

1. Trek de onderste beschermkap naar achteren monteer het zaagblad (6) en de buitenste zaagbladklemring (11) zoals wordt getoond in Afbeelding C.
2. Druk de vergrendelknop van de as (14) in terwijl u de borgbout van het zaagblad (12) draait met de meegeleverde inbussleutel (17) tot de zaagbladvergrendeling ingrijpt en het zaagblad niet meer draait.

NB: De inbussleutel wordt opgeborgen op de zaag, zoals wordt getoond in Afbeelding A.

Zet de zaagbladborgbout stevig vast met de inbussleutel.

NB: De bout heeft rechtse draad. Dat betekent dat u de bout naar links los moet draaien. En dat u de bout naar rechts vast moet draaien.

NB: Schakel de asvergrendeling nooit in terwijl de zaag draait, of in een poging het gereedschap te stoppen. Schakel het gereedschap nooit in terwijl de zaagbladvergrendeling is ingeschakeld. De zaag kan dan ernstig beschadigd raken.

Grote panelen ondersteunen/werkstuk vastzetten (Afb. D-G)

Ondersteun grote panelen zodat het risico van vastlopen of terugslaan zoveel mogelijk wordt beperkt. Grote panelen kunnen onder hun eigen gewicht doorzakken, zoals wordt getoond in Afbeelding D.

Er moet aan beide zijden ondersteuning onder het paneel worden geplaatst, dicht bij de zaagsnede en dicht bij de rand van het paneel (Afbeelding E).



WAARSCHUWING: Beperk het risico van letsel, houd het te zagen werkstuk nooit in uw handen en houd het niet vast door het op uw been te leggen (Afbeelding F).

Zet het werkstuk vast op een stabiele ondergrond, zoals wordt getoond in Afbeelding G. Het is belangrijk dat het werkstuk goed wordt ondersteund zodat blootstelling van het lichaam, vastlopen van het zaagblad of het verlies van controle tot een minimum worden beperkt.

Zaagdieptefstelling (Afb. G-I)

De zaagdiepte moet worden ingesteld naar de dikte van het werkstuk.

1. Draai de hendel voor de dieptefstelling (13) los en ontgrendel de zool (5).
2. Stel de zool af op de gewenste op de schaalverdeling aangeduide zaagdiepte op de dieptestreek.
3. Stel de diepte van de zaag zo af dat één tand (19) van het zaagblad onder het werkstuk uitsteekt (20), zoals wordt getoond in Afbeelding I.
4. Zet de hendel voor de dieptefstelling vast en vergrendel de zool op z'n plaats.

Afstelling afschuinhoek (Afb. J)

U kunt de zaaghoek van het gereedschap instellen van 0° tot 56°.

1. Draai de hendel voor de afstelling van de schuine hoek (9) los en ontgrendel de zool (5).
2. Verplaats de zool in de positie die overeenkomt met de markeringen voor de schuine zaagsnede op schaalverdeling (10).
3. Zet de hendel voor de afstelling van de schuine zaagsnede vast en vergrendel de zool op z'n plaats.
4. Controleer de nauwkeurigheid van de instelling door de schuine zaagsnede te beoordelen op een stukje afvalmateriaal.

Afstelling van de zool voor zaagsneden van 90° (Afb. K)

De zool (5) is in de fabriek haaks afgesteld zodat de zool in een hoek van 0° staat.

Als de zaag opnieuw moet worden uitgelijnd:

1. Stel de zaag af op een hoek van 0°.
2. Trek de onderste zaagbladbeschermer (7) naar achteren.

3. Maak de hendel voor aanpassing van de afschuinhoek (9). Plaats een rechte haak tegen het zaagblad (6) en de zool (5) en pas de 90°-instelling aan.
4. Draai de kalibratieschroef (22) zo, dat de zool stopt in de juiste hoek.
5. Controleer de nauwkeurigheid van de instelling door de rechte hoek van een zaagsnede te beoordelen op een stukje afvalmateriaal.

Aan/uit-schakelaar (Afb. A)

De zaag is voorzien van een functie voor vergrendeling in de uit-stand zodat het gereedschap niet per ongeluk kan worden ingeschakeld.

1. U kunt met het gereedschap werken door de knop voor vergrendeling in de Uit-stand (2) aan één van beide zijden van de zaag in te drukken terwijl u de aan/uit-schakelaar indrukt (1).
2. Wanneer u het de aan/uit-schakelaar hebt ingedrukt en het gereedschap loopt, kunt u de knop voor vergrendeling in de Uit-stand loslaten. De motor blijft draaien zolang u de aan/uit-schakelaar indrukt.
3. U kunt het gereedschap uitschakelen door de Aan/Uit-schakelaar los te laten.

NB: Dit gereedschap heeft geen voorziening voor het vergrendelen van de aan/uit-schakelaar in de aan-stand en het mag nooit op welke manier dan ook in de ingeschakelde stand (ON) worden vergrendeld.

Automatische elektrische rem

Deze zaag is voorzien van een automatische elektrische zaagbladrem, die het zaagblad binnen 2 seconden stopt, nadat u de aan/uit-schakelaar hebt losgelaten. Dit verloopt automatisch en hoeft niet te worden afgesteld.

Onderste zaagbladbeschermer



WAARSCHUWING: Gevaar voor snijwonden.

De onderste zaagbladbeschermer is een veiligheidsvoorziening die het risico van ernstig persoonlijk letsel beperkt. Gebruik de zaag nooit als de onderste beschermer ontbreekt, beschadigd is, niet goed gemonteerd is of niet goed werkt. U kunt er niet op vertrouwen dat de onderste zaagbladbeschermer u onder alle omstandigheden beschermt. Uw veiligheid is afhankelijk van het opvolgen van de volgende waarschuwingen en aanwijzingen voor een veilig gebruik en ook van een goede werking van de zaag. Controleer vóór ieder gebruik dat de onderste beschermer goed sluit, zoals wordt uiteengezet in **Nadere Veiligheidsinstructies voor alle zagen**. Als de onderste zaagbladbeschermer ontbreekt of niet goed werkt, laat de zaag dan nazien voordat u het gereedschap weer gebruikt.

De veiligheid en betrouwbaarheid van het product kunnen alleen worden gewaarborgd als reparatie, onderhoud en afregeling worden uitgevoerd door een geautoriseerd servicecentrum of een andere gekwalificeerde service-organisatie, waarbij altijd identieke vervangende onderdelen moeten worden gebruikt.



WAARSCHUWING: Beperk het risico van oogletsel zoveel mogelijk, gebruik altijd oogbescherming. Carbide is een hard maar bros materiaal. Voorwerpen in het werkstuk, die er niet in horen, zoals draad of spijkers, kunnen tot gevolg hebben dat de zaagbladtips scheuren of breken. Werk alleen met de zaag wanneer een goede zaagbladbeschermkap is geplaatst. Monteer vóór gebruik het zaagblad stevig en let op de juiste draairichting, gebruik altijd een schoon, scherp zaagblad.



WAARSCHUWING: Het is belangrijk dat het werkstuk goed wordt ondersteund en dat de zaag stevig wordt vastgehouden, zodat verlies van controle en daardoor persoonlijk letsel wordt voorkomen. Afbeelding L laat zien hoe u het werkstuk goed met uw handen kunt ondersteunen.



WAARSCHUWING: Beperk het gevaar van ernstig persoonlijk letsel, lees, begrijp en volg de veiligheidsaanwijzingen en de instructies voordat u het gereedschap in gebruik neemt.

Zaagbladelectie

Deze cirkelzaag is ontworpen voor gebruik met zaagbladen met een diameter van 190 mm, die een boring van 30 mm hebben. De zaagbladen moeten geschikt zijn voor een toerental van 6000 toeren (of hoger). GEBRUIK GEEN slijpschijven.

Zaagsneden voor algemene toepassing



WAARSCHUWING: Beperk het risico van letsel, neem de accu uit het gereedschap, en volg alle instructies voor het monteren, afstellen en installeren.

Controleer dat de onderste zaagbladbeschermkap goed werkt. Selecteer het juiste zaagblad voor het materiaal dat u wilt zagen.

- Meet het werk uit en markeer het voor het zagen.
- Ondersteun het werkstuk en zet het goed vast (raadpleeg *Grote panelen ondersteunen/Werkstukken vastzetten*).
- Gebruik geschikte en vereiste veiligheidsapparatuur (raadpleeg *Aanvullende veiligheidsinformatie*).
- Zet het werkstuk goed vast en onderhoud de werkplek (raadpleeg *Veiligheidsinstructies voor alle zagen*).
- Zet de accu in en controleer dat u met de schakelaar de zaag kunt in- en uitschakelen.

Zagen



WAARSCHUWING: Beperk het risico op ernstig persoonlijk letsel, houd het gereedschap altijd met beide handen vast.

- Ga zo staan dat uw lichaam aan één van beide zijden van het zaagblad is, maar niet op één lijn met het zaagblad. Terugslag kan het zaagblad achteruit laten springen. Raadpleeg *Nadere veiligheidsinstructies voor alle zagen* en *Oorzaken van terugslag en bijbehorende waarschuwingen*.
- Laat het zaagblad gedurende enkele seconden vrij draaien voor u met zagen begint.
- Voer slechts geringe druk op het gereedschap uit terwijl u zaagt.
- Druk de zool tijdens het zagen altijd tegen het werkstuk.

Tips voor optimaal gebruik

- Aangezien splintervorming bij de zaagrand aan de bovenzijde van het werkstuk onvermijdelijk is, kunt u het beste zagen aan de kant waar splintervorming acceptabel is.
- U kunt splintervorming wilt tot een minimum terugbrengen, bijvoorbeeld bij het zagen van laminaat, door een stuk multiplex boven op het werkstuk te klemmen.

Invalzagen (Afb. M)



WAARSCHUWING: Zet de zaagbladbeschermkap nooit vast in een opgehaalde stand. Verplaats de zaag nooit naar achteren bij het invalzagen. Hierdoor kan de zaag zich omhoog werken uit het werkoppervlak en dat kan leiden tot letsel.

Een invalzaagsnede is een zaagsnede die wordt gemaakt wanneer de rand van het materiaal niet de onderste beschermkap opendrukt, maar de onderste rand van het draaiende zaagblad zaagt in het midden van het materiaal.

1. Stel de zool (5) zo af dat het zaagblad op de gewenste diepte zaagt.
2. Kantel de zaag naar voren en laat de voorzijde van de zool op het te zagen materiaal rusten.
3. Trek met de hendel voor het terugtrekken van de onderste beschermkap de onderste beschermkap omhoog. Laat de achterzijde van de zool zakken tot de tanden van het zaagblad bijna de zaaglijn raken.
4. Laat de zaagbladbeschermkap los (door het contact met het werk kan de kap vrij opengaan wanneer u de zaagsnede begint). Neem uw hand van de hendel van de beschermkap en pak de hulphandgreep (4) stevig vast, zoals in afbeelding M wordt getoond. Plaats uw lichaam en arm zo dat u weerstand kunt geven aan terugslag, als deze zich voordoet.
5. Controleer dat het zaagblad niet contact maakt met het zaagoppervlak voor u de zaag start.

- Start de motor, laat het zaagblad volledig op snelheid komen en laat het zaagblad geleidelijk zakken tot de zool vlak op het te zagen materiaal rust. Breng de zaag naar voren langs de zaaglijn tot de zaagsnede is voltooid.
- Laat de aan/uit-schakelaar los en trek het zaagblad pas uit het materiaal als het geheel tot stilstand is gekomen.
- Ga aan het begin van iedere nieuwe zaagsnede steeds weer te werk zoals hierboven wordt vermeld.

AFKORTEN

Er wordt een afkortgeleiding bij uw gereedschap geleverd. Overlangs afkorten is het proces van het in smalle stroken zagen van breed plaatmateriaal – zagen in de richting van de nerf. Het met de hand geleiden van het gereedschap is bij deze manier van zagen moeilijker en daarom wordt u geadviseerd een langsegeleiding te gebruiken.

Stofafzuiging



WAARSCHUWING: Risico van het inademen van stof. Beperk het risico van persoonlijk letsel, draag **ALTIJD** een goedgekeurd stofmasker.



WAARSCHUWING: Gebruik **ALTIJD** stofafzuiging die ontworpen is in overeenstemming met de van toepassing zijnde richtlijnen voor stofemissie bij het zagen van hout. Slangen van de meeste gewone stofzuigers passen rechtstreeks in de poort voor stofafzuiging.

Er wordt een stofafzuigpoort (18) meegeleverd bij uw gereedschap. Met de poort voor stofafzuiging kunt u het gereedschap aansluiten met een extern stofafzuigstelsel.

Onderhoud

Uw STANLEY FATMAX gereedschap is ontworpen om gedurende lange tijd te functioneren met een minimum aan onderhoud. Het continu naar tevredenheid functioneren hangt af van de juiste zorg voor het gereedschap en regelmatige reiniging.

Ander onderhoud dan een regelmatige schoonmaakbeurt vraagt uw lader niet.



Waarschuwing! Neem voordat u onderhoud uitvoert de accu uit het gereedschap. Trek de stekker van de lader uit het stopcontact voor u de lader schoonmaakt.

- Reinig regelmatig de ventilatieopeningen van het gereedschap and charger met een zachte borstel of een droge doek.
- Reinig de behuizing van de motor regelmatig met een vochtige doek.
Gebruik geen schuurmiddelen of schoonmaakmiddelen die op een oplosmiddel zijn gebaseerd.

Bescherming van het milieu



Gescheiden afvalinzameling. Producten en accu's die zijn voorzien van dit symbool mogen niet bij het normale huishoudafval worden weggegooid.

Producten en accu's bevatten materialen die kunnen worden teruggewonnen of gerecycled, wat de vraag naar grondstoffen doet afnemen. Recycle elektrische producten en accu's volgens de ter plaatse geldende voorschriften. Nadere informatie is beschikbaar op www.2helpU.com

Technische gegevens

		SFMCS550
Ingangsspanning	V _{dc}	18
Snelheid onbelast	min ⁻¹	5.000
Max. zaagdiepte	mm	65
Max. diepte bij een schuine	mm	50
zaagsnede van 45°		
Zaagblad diameter	mm	190
Zaagblad boring	mm	30
Tipbreedte zaagblad	mm	1,8
Gewicht	kg	3,2
L_{BA} (geluidsdruk) 84,5 dB(A), Onzekerheid (K) 3 dB(A)		
L_{WA} (geluidsvermogen) 95,5 dB(A), Onzekerheid (K) 3 dB(A)		
Vibratie totaalwaarden (triax vectorsom) vastgesteld volgens EN 62841:		
In hout zagen (a _{h,w}) 1,4 m/s ² , meetonzekerheid (K) 1,5 m/s ²		
Lader		SFMCB11/SFMCB12/SFMCB14
Ingangsspanning	V _{ac}	230
Uitgangsspanning	V _{dc}	18
Laadstroom	A	1,25/2,0/4,0
Accu		SFMCB201/202/204/206
Spanning	V _{dc}	18
Capaciteit	Ah	1,5/2,0/4,0/6,0
Type		Li-Ion

EG-verklaring van overeenstemming

RICHTLIJN VOOR MACHINES



SFMCS550 Cirkelzaag

STANLEY FATMAX verklaart hierbij dat de producten die worden beschreven onder "technische gegevens" voldoen aan:

EN62841-1:2015, EN62841-2-5:2014.

Deze producten voldoen tevens aan richtlijn 2006/42/EC, 2014/30/EU en 2011/65/EU. Neem voor meer informatie contact op met STANLEY FATMAX via het volgende adres of kijk op de achterzijde van de gebruiksaanwijzing.

Ondergetekende is verantwoordelijk voor de compilatie van het technische bestand en doet deze verklaring namens STANLEY FATMAX.



Ed Higgins
Director – Consumer Power Tools
STANLEY FATMAX Europe, Egide Walschaertsstraat 14-18,
2800 Mechelen, België
25/11/2019

Garantie

STANLEY FATMAX heeft vertrouwen in zijn producten en biedt consumenten een garantie van 12 maanden vanaf de datum van aankoop. Deze garantie is een aanvulling op uw wettelijke rechten en maakt op geen enkele wijze inbreuk daarop. De garantie is geldig binnen het grondgebied van de Lidstaten van de Europese Unie en de Europese Vrijhandelszone.

Voor een garantie-aanspraak moet uw aanspraak in overeenstemming zijn met de STANLEY FATMAX garantievoorwaarden en moet u een bewijs van aankoop overleggen aan de verkoper of een geautoriseerde reparatiemonteur.

De garantievoorwaarden van de STANLEY FATMAX 1 jarige garantie en het adres van een geautoriseerde reparatiemonteur bij u in de buurt, kunt u vinden op www.2helpU.com, of door contact op te nemen met het STANLEY FATMAX kantoor bij u in de buurt, het adres staat in deze handleiding vermeld.

Bezoek onze website www.stanleytools.eu/3 om uw nieuwe STANLEY FATMAX product te registreren, zodat u updates over nieuwe producten en speciale aanbiedingen kunt ontvangen.

Uso previsto

La sierra STANLEY FATMAX SFMCS550 ha sido diseñada para serrar madera y productos de madera. Esta herramienta está pensada para usuarios profesionales y para usuarios no profesionales.

Instrucciones de seguridad

Advertencias de seguridad generales para herramientas eléctricas



¡Advertencia! Lea todas las advertencias de seguridad, instrucciones, ilustraciones y especificaciones suministradas con esta herramienta eléctrica. El incumplimiento de las instrucciones que se indican a continuación puede causar descargas eléctricas, incendios y/o lesiones graves.

Guarde todas las advertencias e instrucciones para poder consultarlas con posterioridad. El término "herramienta eléctrica" que aparece en todas las advertencias que aparecen a continuación se refiere a la herramienta eléctrica que funciona a través de la red eléctrica (con cable) o a la herramienta eléctrica que funciona con batería (sin cable).

1. Seguridad en la zona de trabajo

- a. Mantenga su área de trabajo limpia y bien iluminada.** Las áreas desordenadas u oscuras pueden provocar accidentes.
- b. No utilice herramientas eléctricas en atmósferas explosivas, como ambientes donde haya polvo, gases o líquidos inflamables.** Las herramientas eléctricas originan chispas que pueden inflamar el polvo o los gases.
- c. Mantenga alejados a los niños y a las personas que estén cerca mientras utiliza una herramienta eléctrica.** Las distracciones pueden ocasionar una pérdida de control.

2. Seguridad eléctrica

- a. Los enchufes de las herramientas eléctricas deben corresponderse con la toma de corriente. No modifique nunca el enchufe de ninguna forma. No utilice ningún enchufe adaptador con herramientas eléctricas conectadas a tierra (a masa).** Los enchufes no modificados y las tomas de corriente correspondientes reducen el riesgo de descarga eléctrica.
- b. Evite el contacto corporal con superficies conectadas a tierra tales como tuberías, radiadores, cocinas y neveras.** Existe un mayor riesgo de descarga eléctrica si su propio cuerpo está conectado a tierra.

- c. No exponga las herramientas eléctricas a la lluvia ni a condiciones húmedas.**
Si entra agua en una herramienta eléctrica, aumenta el riesgo de descarga eléctrica.
- d. No someta el cable de alimentación a presión innecesaria. No use nunca el cable para transportar, tirar de la herramienta eléctrica o desenchufarla. Mantenga el cable alejado del calor, aceite, bordes afilados y piezas en movimiento.**
Los cables dañados o enredados aumentan el riesgo de descarga eléctrica.
- e. Cuando esté utilizando una herramienta eléctrica al aire libre, use un cable prolongador adecuado para uso en exteriores.** La utilización de un cable adecuado para el uso en exteriores reduce el riesgo de descarga eléctrica.
- f. Si no puede evitar utilizar una herramienta eléctrica en un lugar húmedo, use un suministro protegido con un dispositivo diferencial residual (DDR).** El uso de un dispositivo de corriente residual reduce el riesgo de descarga eléctrica.
- 3. Seguridad personal**
- a. Manténgase alerta, esté atento a lo que hace y use el sentido común cuando utilice una herramienta eléctrica.**
No utilice herramientas eléctricas cuando esté cansado o bajo los efectos de drogas, medicamentos o alcohol. Un momento de desatención cuando se manejan herramientas eléctricas puede ocasionar lesiones personales graves.
- b. Utilice equipo de seguridad personal. Utilice siempre protección ocular.** El uso del equipo de protección individual, como mascarillas antipolvo, calzado antideslizante, casco o protección auditiva para condiciones apropiadas reduce las lesiones personales.
- c. Evite la puesta en funcionamiento involuntaria. Asegúrese de que el interruptor esté en posición de apagado antes de conectar con la fuente de alimentación y/o la batería, de levantar o transportar la herramienta.** Transportar herramientas eléctricas con el dedo puesto en el interruptor o herramientas eléctricas activadoras con el interruptor encendido puede causar accidentes.
- d. Saque cualquier llave de ajuste o llave inglesa antes de encender la herramienta eléctrica.** Si se deja puesta una llave inglesa u otra llave en una pieza en movimiento de la herramienta eléctrica pueden ocasionarse lesiones personales.
- e. No se estire demasiado. Mantenga un equilibrio adecuado y la estabilidad constantemente.** Esto permite un mejor control de la herramienta eléctrica en situaciones inesperadas.
- f. Use la vestimenta adecuada. No se ponga ropa suelta o joyas. Mantenga el cabello, la ropa y los guantes alejados de las piezas en movimiento.** La ropa suelta, las joyas y el pelo largo pueden quedar atrapados en las piezas en movimiento.
- g. Si se suministran dispositivos para la conexión del equipo de extracción y recogida de polvo, asegúrese de que estén conectados y de que se usen adecuadamente.** El uso de equipo de recogida de polvo puede reducir los riesgos relacionados con el polvo.
- h. No deje que la familiaridad adquirida con el uso frecuente de las herramientas le lleve a fiarse demasiado y a descuidar las principales normas de seguridad de la herramienta.** En cuestión de segundos, un descuido puede causar lesiones graves.
- 4. Uso y cuidado de la herramienta eléctrica**
- a. No fuerce la herramienta eléctrica. Use la herramienta eléctrica correcta para su trabajo.**
La herramienta eléctrica correcta funcionará mejor y con mayor seguridad si se utiliza de acuerdo con sus características técnicas.
- b. No utilice la herramienta eléctrica si no puede encenderse y apagarse con el interruptor.** Toda herramienta eléctrica que no pueda controlarse con el interruptor es peligrosa y debe ser reparada.
- c. Desconecte el enchufe de la fuente de alimentación y/o extraiga la batería de la herramienta eléctrica, si esta es desmontable, antes de realizar ajustes, cambiar accesorios o guardar la herramienta eléctrica.** Dichas medidas de seguridad preventivas reducen el riesgo de poner en marcha accidentalmente la herramienta eléctrica.
- d. Guarde las herramientas eléctricas que no esté utilizando fuera del alcance de los niños y no permita que las utilicen las personas que no estén familiarizadas con ellas o con estas instrucciones.** Las herramientas eléctricas son peligrosas en manos de personas no capacitadas.
- e. Efectúe el mantenimiento de las herramientas eléctricas y de los accesorios. Compruebe si hay desalineación o bloqueo de las piezas en movimiento, rotura de piezas y otras condiciones que puedan afectar el funcionamiento de la herramienta eléctrica. Si la herramienta eléctrica está dañada, llévela a reparar antes de utilizarla.**
Muchos accidentes se producen por el mantenimiento inadecuado de las herramientas eléctricas.

- f. **Mantenga las herramientas de corte afiladas y limpias.** Hay menos probabilidad de que las herramientas de corte con bordes afilados se bloqueen y son más fáciles de controlar.
 - g. **Utilice la herramienta eléctrica, los accesorios y las brocas de la herramienta, etc., conforme a estas instrucciones, teniendo en cuenta las condiciones de trabajo y el trabajo que vaya a realizar.**
El uso de la herramienta eléctrica para operaciones que no sean las previstas puede ocasionar una situación peligrosa.
 - h. **Mantenga todas las empuñaduras y superficies de agarre secas, limpias y libres de aceite y grasa.** Las empuñaduras y superficies de agarre resbaladizas impiden el agarre y el control seguro de la herramienta en situaciones imprevistas.
5. **Uso y cuidado de las herramientas a batería (solo para herramientas con batería)**
- a. **Haga las recargas exclusivamente con el cargador indicado por el fabricante.** Un cargador adecuado para un tipo de batería puede causar riesgo de incendio si se utiliza con otra batería.
 - b. **Utilice herramientas eléctricas solamente cuando se especifique en la batería.** El uso de otra batería puede ocasionar riesgo de incendio y lesiones.
 - c. **Cuando no utilice la batería, manténgala alejada de otros objetos metálicos como clips de papel, monedas, llaves, clavos, tornillos u otros objetos metálicos pequeños que puedan establecer una conexión entre terminales.** Si se produce un cortocircuito entre los terminales de la batería, se puede ocasionar un incendio o sufrir quemaduras.
 - d. **En condiciones abusivas, podrá salir líquido de la batería, evite el contacto. Si se produce un contacto accidental, lávese con agua. Si el líquido entra en contacto con los ojos, busque atención médica de inmediato.** El líquido expulsado por la batería puede causar irritaciones o quemaduras.
 - e. **No utilice baterías o herramientas dañadas o modificadas.** Las baterías dañadas o modificadas pueden presentar un funcionamiento imprevisto y causar incendio, explosión o riesgo de lesiones.
 - f. **No exponga la batería o la herramienta al fuego o a temperaturas excesivas.** La exposición al fuego o a una temperatura superior a 130 °C puede causar explosión.
 - g. **Siga todas las instrucciones de carga y no cargue la batería o la herramienta fuera del rango de temperatura indicado en las instrucciones.**

La carga incorrecta o a temperaturas fuera del rango especificado puede dañar la batería y aumentar el riesgo de incendio.

6. Servicio

- a. **Haga reparar su herramienta eléctrica por una persona cualificada para realizar las reparaciones y que use solo piezas de repuesto idénticas.** Esto le asegurará el mantenimiento de la seguridad de la herramienta eléctrica.
- b. **No repare nunca las baterías dañadas.** La reparación de paquetes de baterías debe ser realizada únicamente por el fabricante o los proveedores de servicios autorizados.

Instrucciones de seguridad para todas las sierras

Procedimientos de corte

- a. **⚠ PELIGRO: Mantenga las manos alejadas de la zona de corte y de la hoja. Mantenga una de las manos en el mango auxiliar o en la carcasa del motor.** Si mantiene las dos manos sobre la sierra, evitará cortarse con la hoja.
- b. **No toque por debajo de la pieza de trabajo.** El protector no puede resguardarle de la hoja por debajo de la pieza de trabajo.
- c. **Ajuste la profundidad de corte al grosor de la pieza de trabajo.** Deberá verse menos de un diente completo de la hoja por debajo de la pieza de trabajo.
- d. **Nunca sostenga la pieza con las manos o las piernas mientras corta. Asegure la pieza de trabajo en una plataforma estable.** Es importante apoyar el trabajo adecuadamente para reducir al mínimo la exposición corporal, el atascamiento de la hoja o la pérdida de control.
- e. **Sujete la herramienta eléctrica por las superficies de agarre aisladas cuando realice una operación en la que la herramienta de corte pueda entrar en contacto con cables ocultos.** El contacto con un cable cargado también puede cargar las partes metálicas expuestas de la herramienta eléctrica y producir una descarga eléctrica.
- f. **Cuando corte en dirección a la veta, utilice siempre una guía de corte.** Esto mejora la precisión del corte y reduce las posibilidades de que la hoja se atasque.
- g. **Utilice siempre hojas con la forma (diamante frente a redonda) y el tamaño de agujero de husillo correctos.** Las hojas que no coincidan con los elementos de montaje de la sierra funcionarán de forma excéntrica, lo que causará una pérdida de control.

- h. No utilice nunca arandelas o pernos de hoja dañados o incorrectos.** El perno y las arandelas de la hoja han sido especialmente diseñados para que esta sierra tenga un funcionamiento seguro y un rendimiento óptimo.

Instrucciones de seguridad adicionales para todas las sierras

Causas de los contragolpes y advertencias relacionadas

- El contragolpe es una reacción repentina provocada por una hoja de sierra comprimida, atascada o mal alineada, que hace que la sierra se levante de forma incontrolada y se aleje de la pieza de trabajo hacia el usuario.
- Cuando la hoja está comprimida o agarrotada ceñidamente por la entalladura al cerrarse, se atasca y la reacción del motor empuja la unidad rápidamente hacia atrás en dirección al operador.
- Si la hoja se retuerce o está mal alineada en el corte, los dientes del borde posterior de la hoja pueden clavarse en la zona superior de la madera, lo que hará que la hoja remonte la entalladura y salte hacia atrás en dirección al operador.

El rebote es el resultado del mal uso de la sierra o de procedimientos o condiciones de operación incorrectos y puede ser evitado si se toman las precauciones debidas, enumeradas a continuación:

- Mantenga asida firmemente la sierra con ambas manos y ponga los brazos de tal manera que puedan resistir la fuerza de un retroceso. Coloque el cuerpo a ambos lados de la hoja, pero nunca en línea con ella.** El contragolpe puede hacer que la sierra salte hacia atrás. No obstante, el usuario puede controlar la fuerza del contragolpe si toma las precauciones adecuadas.
- Cuando la hoja se bloquee o cuando, por algún motivo, interrumpa un corte, suelte el gatillo y no mueva la sierra del material que está cortando hasta que la hoja se haya detenido por completo. Nunca intente quitar la sierra del trabajo o tirar de ella hacia atrás mientras esté en movimiento, ya que de lo contrario podría producirse una inversión de giro.** Investigue y tome medidas correctivas para eliminar la causa del trabado de la hoja.
- Cuando vuelva a poner en marcha la sierra sobre la pieza de trabajo, centre la sierra en la entalladura y compruebe que los dientes no estén atascados en el material.** Si la hoja de la sierra se atasca, puede que se salga hacia arriba o invierta el giro en la pieza de trabajo al volver a poner en marcha la sierra.
- Sujete los paneles grandes para reducir al mínimo el riesgo de que la hoja se comprima e invierta el giro.** Los paneles grandes tienden a hundirse por su propio peso. Es necesario colocar apoyos debajo del panel a ambos lados, cerca de la línea del corte y cerca del borde del panel.
- No utilice hojas desafiladas ni dañadas.** Las hojas sin afilar o que están mal colocadas abren una muesca estrecha que produce una fricción excesiva, el bloqueo de la hoja y su retroceso.
- Las palancas de bloqueo del ajuste de bisel y de profundidad de la hoja deben estar bien apretadas y seguras antes de realizar el corte.** Si el ajuste de la hoja varía durante el proceso de corte, puede producirse un bloqueo y un retroceso.
- Adopte medidas de precaución extraordinarias cuando sierre en muros u otras zonas ciegas.** La hoja que sobresale puede cortar objetos que pueden provocar un contragolpe.

Instrucciones de seguridad para sierras con un protector de hoja pendular

Función del protector inferior

- Compruebe que el protector inferior de la hoja se cierre adecuadamente antes de cada uso. No opere la sierra si el protector inferior no se mueve libremente y se cierra instantáneamente. No fije ni agarre nunca el protector inferior en la posición abierta.** Si la sierra se cae accidentalmente, el protector inferior puede curvarse. Eleve el protector inferior con la empuñadura de retroceso y compruebe que se mueva libremente y que no toque la hoja ni ninguna otra pieza, en todos los ángulos y profundidades de corte.
- Compruebe el funcionamiento del muelle del protector inferior. Si el protector y el muelle no funcionan correctamente, deben repararse antes de utilizar la herramienta.** El protector inferior puede funcionar con lentitud debido a piezas dañadas, depósitos pegajosos o acumulación de suciedad.
- El protector inferior solo debe retraerse manualmente en casos especiales como los “cortes directos” o los “cortes compuestos”.** Suba el protector inferior con la empuñadura de retroceso en cuanto la hoja se introduzca en el material, y el protector inferior deberá liberarse. Para las demás operaciones de la sierra, el protector inferior deberá funcionar automáticamente.
- Compruebe siempre que el protector inferior cubra la hoja antes de colocar la sierra sobre un banco o en el suelo.**

Una hoja sin protección en movimiento hará que la sierra se desplace hacia atrás y corte todo lo que encuentre a su paso. Tenga en cuenta el tiempo que la hoja tarda en detenerse después de desactivar el interruptor.

Instrucciones de seguridad adicionales para sierras circulares

- **Lleve protección acústica.** La exposición al ruido puede provocar pérdida de audición.
- **Utilice una mascarilla antipolvo.** La exposición a partículas de polvo puede provocar dificultades respiratorias y posibles lesiones.
- **No utilice hojas de un diámetro mayor o menor del recomendado.** Para conocer la capacidad de corte exacta, consulte las **especificaciones técnicas**. Utilice solo las hojas especificadas en este manual, que cumplen lo dispuesto en la norma EN 847-1.
- **Utilice solamente hojas que lleven marcada una velocidad igual o superior a la velocidad marcada en la herramienta.**
- **Evite el sobrecalentamiento de las puntas de la hoja.**
- **Instale la conexión de extracción de polvo en la sierra antes de usarla.**
- **Nunca utilice hojas de corte abrasivas.**
- **No utilice accesorios alimentados por agua.**
- **Utilice fijaciones o cualquier otro método para fijar y apoyar la pieza de trabajo en una plataforma estable.** Si sostiene la pieza de trabajo con las manos o con su cuerpo, esta quedará inestable y podrá hacer que usted pierda el control.

Riesgos residuales

Los siguientes riesgos son inherentes al uso de las sierras:

- Lesiones causadas por el contacto con las piezas giratorias.

El cumplimiento de las normas de seguridad correspondientes y el uso de dispositivos de seguridad no evitan ciertos riesgos residuales. Dichos riesgos son los siguientes:

- Deterioro auditivo.
- Riesgo de accidentes provocados por partes descubiertas de la hoja de sierra giratoria.
- Riesgo de lesiones cuando se cambia la hoja.
- Riesgo de aplastamiento de los dedos al abrir los protectores.
- Daños a la salud, provocados por la respiración del polvo emitido al cortar madera, especialmente haya, roble y tableros de fibra de densidad media.

Seguridad de otras personas

- Las personas (incluidos niños) con capacidades físicas, sensoriales o mentales disminuidas o que carezcan de experiencia y conocimientos no deben utilizar esta

herramienta, salvo que hayan recibido supervisión o formación con respecto al uso de la herramienta por parte de una persona responsable de su seguridad.

- Los niños deben vigilarse en todo momento para garantizar que no tomen el aparato como elemento de juego.

Vibraciones

Los valores de emisión de vibraciones declarados en el apartado de características técnicas y en la declaración de conformidad se han calculado según un método de prueba estándar proporcionado por la norma EN62841 y pueden utilizarse para comparar una herramienta con otra. El valor declarado de emisión de las vibraciones también se puede usar en una evaluación preliminar de la exposición.



¡Advertencia! El valor de emisión de las vibraciones durante el uso de la herramienta eléctrica puede variar con respecto al valor declarado, dependiendo de las formas de usar la herramienta. El nivel de vibraciones puede superar el nivel indicado.

A la hora de evaluar la exposición a las vibraciones para determinar las medidas de seguridad exigidas por la Directiva 2002/44/CE para proteger a las personas que utilizan habitualmente herramientas electrónicas en su trabajo, para la estimación de la exposición a las vibraciones se deben tener en cuenta las condiciones reales de uso y la forma en que se utiliza la herramienta, y también se deben tener en cuenta todas las partes del ciclo operativo, como el tiempo que la herramienta está apagada y funciona en ralentí, además del tiempo de activación.

Etiquetas en la herramienta

Junto con el código de la fecha, en la herramienta aparecen los siguientes símbolos:



¡Advertencia! Para reducir el riesgo de lesiones, el usuario debe leer el manual de instrucciones.

Instrucciones de seguridad adicionales para baterías y cargadores

Baterías

- Nunca trate de abrirlas por ningún motivo.
- No exponga las baterías al agua.
- No las guarde en lugares en los que la temperatura supere los 40 °C.
- Realice la carga únicamente a una temperatura ambiente de entre 10 °C y 40 °C.
- Utilice únicamente el cargador suministrado con la herramienta para realizar la carga.
- Para desechar las baterías, siga las instrucciones facilitadas en la sección "Protección del medioambiente".



No intente cargar baterías dañadas.

Los cargadores

- Utilice el cargador para cargar únicamente la batería de la herramienta con la que fue suministrado. En caso de intentar cargar otras baterías, estas podrían explotar y causar lesiones personales y daños.
- Nunca intente cargar baterías no recargables.
- Haga sustituir los cables defectuosos inmediatamente.
- No exponga las baterías al agua.
- No abra el cargador.
- No aplique ningún dispositivo para medir la resistencia del cargador.



Este cargador está pensado únicamente para utilizar en un lugar interior.

Seguridad eléctrica



Este cargador está provisto de doble aislamiento, por lo que no requiere una toma de tierra. Compruebe siempre que el voltaje suministrado corresponda al indicado en la placa de características.

- Si se daña el cable de alimentación, deberá sustituirlo el fabricante o un centro de servicio técnico autorizado de STANLEY FATMAX para evitar riesgos.

Descripción (figura A)



ADVERTENCIA: Jamás altere la herramienta eléctrica ni ninguna de sus piezas. Podrían producirse lesiones personales o daños.

1. Interruptor de encendido/apagado
2. Botón de desbloqueo
3. Empuñadura principal
4. Empuñadura secundaria
5. Base
6. Hoja de sierra
7. Protector de hoja inferior
8. Palanca de retroceso del protector inferior
9. Palanca de ajuste del bisel
10. Escala del ángulo oblicuo
11. Arandela de sujeción de la hoja exterior
12. Perno de retención de la hoja
13. Palanca de ajuste de profundidad
14. Botón de bloqueo del husillo
15. Batería
16. Botón de liberación de la batería
17. Llave hexagonal
18. Puerto de extracción de polvo



ADVERTENCIA: No corte ningún material de metal, mampostería, vidrio, azulejos, baldosas o plástico con esta sierra.

Una hoja desafilada hará un corte incorrecto, sobrecargará el motor de la sierra, producirá demasiados astillamientos y aumentará las probabilidades de rebote.

- **NO** utilice discos abrasivos.
- Utilice exclusivamente hojas de diseñadas para el corte de madera.



ADVERTENCIA: Cortar madera recubierta de savia y otros materiales puede hacer que el material fundido se acumule en las puntas y el cuerpo de la hoja de sierra, aumentando el riesgo de que la hoja de sierra se recaliente y se atasque durante el corte.

NO usar en condiciones de humedad o en presencia de líquidos o gases inflamables.

NO permita que los niños toquen la herramienta. El uso de la herramienta por parte de operadores inexpertos requiere supervisión.

NO debe usarse en condiciones de humedad ni en presencia de líquidos o gases inflamables.

NO permita que los niños toquen la herramienta. El uso de la herramienta por parte de operadores inexpertos requiere supervisión.

- **Niños pequeños y personas con discapacidades.** Este aparato no está destinado para uso por parte de niños pequeños o personas con discapacidades, sin supervisión.
- Este producto no se ha diseñado para ser utilizado por personas (niños incluidos) que presenten discapacidades físicas, sensoriales o mentales, o que carezcan de la experiencia, conocimiento o destrezas necesarias, a menos que estén supervisadas por una persona que se haga responsable de su seguridad. No deje nunca a los niños solos con este producto.

Inserción y extracción de la batería (Fig. B)

- ◆ Para insertar la batería (15), alinéela con el receptáculo de la herramienta. Deslice la batería dentro del receptáculo y empújela hasta que encaje en su sitio.
- ◆ Para extraer la batería, pulse los botones de liberación (16) a la vez que tira de la batería para extraerla del receptáculo.

Uso



ADVERTENCIA: Deje que la herramienta funcione a su ritmo. No debe sobrecargarla. Esta herramienta se puede utilizar tanto con la mano derecha como con la izquierda.

Carga de la batería (Fig. B)

Es necesario cargar la batería antes del primer uso y cada vez que empiece a no tener suficiente potencia para tareas que eran fáciles de realizar anteriormente. Es posible que la batería se caliente durante la carga, esto es normal y no denota ningún problema.



ADVERTENCIA: No cargue la batería si la temperatura ambiente es inferior a 10 °C o superior a 40 °C. La temperatura de carga recomendada es de aproximadamente 24 °C.

Nota: El cargador no cargará la batería si la temperatura de la célula es inferior a 10 °C o superior a 40 °C aproximadamente. Deje la batería en el cargador y este comenzará la carga automáticamente cuando la temperatura de la célula aumente o disminuya.

- ◆ Para cargar la batería (15), insértela en el cargador (24). La batería encaja en el cargador solo en una dirección. No la fuerce. Asegúrese de que la batería queda perfectamente encajada en el cargador.
- ◆ Enchufe el cargador y conéctelo a la red eléctrica.

El indicador de carga parpadeará (25).

La carga habrá finalizado cuando el indicador de carga (25) pase a estar iluminado de manera continua. Se pueden dejar el cargador y la batería conectados indefinidamente. Cuando, ocasionalmente, el cargador cargue la batería al máximo, se encenderá el indicador LED.

- ◆ Cargue las baterías descargadas en el plazo de 1 semana. La duración de las baterías disminuye considerablemente si se guardan descargada.

Dejar la batería en el cargador

El cargador y la batería pueden permanecer conectados durante un periodo de tiempo indefinido con el indicador LED iluminado. El cargador mantendrá la batería a baja temperatura y completamente cargada.

Diagnóstico del cargador

Si el cargador detecta que la batería dispone de poca energía o está dañada, el indicador de carga (25) parpadeará en rojo a gran velocidad. Realice el procedimiento siguiente:

- ◆ Vuelva a insertar la batería (15).
- ◆ Si los indicadores de carga siguen parpadearando en rojo rápidamente, utilice una batería diferente para determinar si el proceso de carga se efectúa correctamente.
- ◆ Si la batería sustituida se carga correctamente, significará que la batería original está defectuosa y que debe devolverla al centro de servicio para su reciclado.
- ◆ Si el cargador muestra la misma indicación con la batería nueva, llévelo a un centro de servicio autorizado para que lo revisen.

NOTA: Es posible que se empleen 30 minutos en determinar si la batería es defectuosa. Si la batería está demasiado fría o demasiado caliente, el indicador LED parpadeará en rojo rápida y lentamente, de manera alternativa, y se repetirá la secuencia.

Montaje y desmontaje de la hoja (Fig. C)

1. Retire la protección inferior e instale la hoja de sierra (6) y la arandela exterior de la hoja de sierra (11) como se muestra en la FiguraC.

2. Pulse el botón de bloqueo de la hoja (14) mientras gira el perno que retiene la hoja de la sierra (12) con la llave de la hexagonal (17) hasta que el bloqueo de la hoja quede bloqueado y la hoja deje de girar.

NOTA: La llave hexagonal se guarda en la sierra como se muestra en la FiguraA.

Apriete bien el perno de fijación de la hoja utilizando la llave hexagonal.

NOTA: El perno tiene rosca derecha. Para aflojar, gire en sentido contrario a las agujas del reloj. Para apretar, gire en el sentido de las agujas del reloj.

NOTA: No active nunca el bloqueo de la hoja mientras la sierra esté en funcionamiento ni realice ningún esfuerzo para detener la herramienta. No encienda nunca la herramienta con el bloqueo de la hoja activado. Podría dañar gravemente la sierra.

Sujeción de paneles de gran tamaño/sujeción de forma segura la pieza de trabajo (Fig. D-G)

Apoye los paneles grandes en una superficie, a fin de minimizar el riesgo de que la hoja quede atrapada o salga despedida hacia atrás. Los paneles grandes tienden a hundirse por su propio peso como se muestra en la FiguraD. Es necesario colocar apoyos debajo del panel a ambos lados, cerca de la línea del corte y cerca del borde del panel (FiguraE).



ADVERTENCIA: Para reducir el riesgo de lesiones, nunca sostenga la pieza que está siendo cortada con las manos ni la apoye en las piernas (FiguraF).

Asegure la pieza de trabajo en una plataforma estable, tal y como se muestra en la FiguraG. Es importante apoyar el trabajo adecuadamente para reducir al mínimo la exposición corporal, el atascamiento de la hoja o la pérdida de control.

Ajuste de la profundidad de corte (Fig. G-I)

La profundidad del corte debe establecerse en función del grosor de la pieza de trabajo.

1. Afloje la palanca de ajuste de profundidad de corte (13) para desbloquear la base de la sierra (5).
2. Alinee la base de la sierra con la profundidad de corte deseada indicada en las marcas de escala de la correa de profundidad.
3. Ajuste la profundidad de la sierra de tal manera que un diente (19) de la hoja se proyecte por debajo de la pieza de trabajo (20) como se muestra en la FiguraI.
4. Apriete la Palanca de ajuste de profundidad para bloquear la base de la sierra en su posición.

Ajuste del ángulo de bisel (Fig. J)

Los ángulos de bisel de esta herramienta se pueden ajustar en valores comprendidos entre 0° y 56°.

1. Afloje la palanca de ajuste del ángulo de bisel de corte (9) para desbloquear la base de la sierra (5).

2. Mueva la base de la sierra a la posición deseada correspondiente a las marcas de los ángulos de bisel en la escala de ángulos de bisel (10).
3. Apriete la palanca de ajuste de bisel para bloquear la base de la sierra en su posición.
4. Confirme la precisión de la configuración, comprobando el ángulo de bisel en un resto de material.

Ajuste de la base para cortes de 90° (Fig. K)

La base (5) se ha ajustado en fábrica para asegurar que la hoja esté perpendicular a la base a un bisel de 0°.

Si es necesario realizar un reajuste:

1. Ajuste la sierra a un bisel de 0°.
2. Retraiga el protector de la cuchilla inferior (7).
3. Afloje la palanca de ajuste de bisel (9). Coloque una escuadra frente a la cuchilla (6) y la base (5) para ajustar el ángulo de 90°.
4. Gire la tuerca de calibración (22) para que la base se detenga en el ángulo adecuado.
5. Confirme la precisión de la configuración, comprobando la rectitud de un corte real en un resto de material.

Interruptor de encendido/apagado (Fig. A)

La sierra cuenta con una función de desbloqueo del interruptor para evitar que se accione accidentalmente.

1. Para utilizar la herramienta, pulsar el botón de bloqueo (2) desde cualquier lado de la sierra y manténgalo apretado mientras presiona el interruptor activador (1).
2. Una vez que haya presionado el interruptor activador y la herramienta esté en funcionamiento, suelte el botón de bloqueo. La herramienta seguirá en funcionamiento mientras se mantenga pulsado el interruptor.
3. Para apagar la herramienta, suelte el interruptor activador.

NOTA: Esta herramienta no está prevista para bloquear el interruptor en la posición de encendido y no debe bloquearse en dicha posición de ninguna otra manera.

Freno eléctrico automático

La sierra está equipada con un freno eléctrico de la hoja que detiene la hoja de la sierra en un plazo de 1 a 2 segundos después de soltar el interruptor de activación. Esta función es automática y no requiere ningún ajuste.

Protector inferior de la hoja



ADVERTENCIA: Peligro de desgarros. El protector inferior de la hoja es una función de seguridad que reduce el riesgo de daños personales graves. No utilice la sierra si el protector inferior falta, está dañado, está mal montado o no funciona correctamente. No confíe en el protector inferior de la hoja para protegerse en todas las circunstancias. Su seguridad depende de las siguientes advertencias y precauciones, así como del debido funcionamiento de la sierra.

Compruebe que el protector inferior esté debidamente cerrado antes de cada uso, tal y como se indica en el apartado **Normas de seguridad para todas las sierras**. Si falta el protector inferior de la hoja o no funciona correctamente, haga reparar la sierra antes de volver a utilizarla. Para garantizar la seguridad del producto y la fiabilidad, las operaciones de reparación, mantenimiento y ajuste deberán ser realizadas por un centro de reparaciones autorizado o una organización habilitada, utilizando siempre piezas de repuesto idénticas.



ADVERTENCIA: Para minimizar el riesgo de daños oculares, lleve siempre protección visual. La broca de carburo es un material duro pero frágil. Los objetos ajenos en la pieza de trabajo, como los cables o los clavos hacen que las puntas se rompan o resquebrajen. Opere exclusivamente la sierra cuando haya colocado un protector de hoja de sierra adecuado. Monte la cuchilla firmemente en su ubicación correspondiente antes de utilizarla y siempre utilice una cuchilla limpia y afilada.



ADVERTENCIA: Para reducir el riesgo de lesiones, es importante sujetar el trabajo correctamente y agarrar bien la sierra para no perder el control y no causar lesiones personales. La figura L muestra el método de sujeción manual típico.



ADVERTENCIA: Para reducir el riesgo de lesiones graves, lea, comprenda y siga todas las advertencias importantes de seguridad y las instrucciones antes de usar la herramienta.

Selección de la hoja

Su sierra circular está diseñada para usarse con hojas de 190 mm de diámetro que tengan un diámetro interior de 30 mm. Las cuchillas deben tener una velocidad nominal de 6000 RPM (o superior). NO utilice discos abrasivos.

Cortes generales



ADVERTENCIA: Para reducir el riesgo de lesiones, retire la batería y siga todas las instrucciones de montaje, ajuste y configuración.

Asegúrese de que funcione la protección inferior. Seleccione la hoja adecuada para el material que va a cortar.

- Mida y marque las piezas sobre las que va a realizar el corte.
- Apoye y asegure el trabajo correctamente (consulte la sección **Sujeción de paneles de gran tamaño/sujeción de forma segura la pieza de trabajo**).
- Utilice el equipo de seguridad requerido apropiado, como se indica en la sección **Información de seguridad adicional**.
- mantenga segura y limpia la zona de trabajo (consulte la sección **Instrucciones de seguridad para todas las sierras**).

- Con la batería instalada, asegúrese de que el interruptor enciende y apaga la sierra.

Serrado



ADVERTENCIA: Para reducir el riesgo de lesiones personales graves, sujete siempre la herramienta con ambas manos.

- Coloque el cuerpo al costado de cualquiera de los lados de la hoja, pero nunca en línea con la hoja de la sierra. El retroceso puede hacer la sierra salte hacia atrás. Consulte la sección *Instrucciones de seguridad adicionales para todas las sierras*, para conocer las causas de los retrocesos y las advertencias relacionadas.
- Deje que la cuchilla gire libremente durante varios segundos antes de empezar el corte.
- Aplique solamente un poco de presión a la herramienta mientras realiza el corte.
- Trabaje con la base presionada contra la pieza de trabajo.

Consejos para un uso óptimo

- Dado que es inevitable que se produzca alguna astilla a lo largo de la línea de corte de la pieza de trabajo, realice el corte en la parte de la pieza en que la aparición de astillas no suponga un problema.
- Cuando la aparición de astillas deba reducirse a un mínimo, como en el caso de los laminados, ponga una pieza de contrachapado en la parte superior de la pieza de trabajo.

Corte de bolsillo (Fig. M)



ADVERTENCIA: No una nunca el protector de la hoja en una posición levantada. No mueva nunca la sierra hacia detrás cuando realice cortes de bolsillo. Esto puede hacer que la unidad se levante por sobre la superficie de trabajo y cause daños.

Un corte de bolsillo es aquel que se realiza cuando el borde del material no empuja el protector inferior para abrirlo, sino que el borde inferior de la hoja giratoria corta en el centro del material.

1. Ajuste la base (5) de forma que la hoja corte a la profundidad deseada.
2. Incline la sierra hacia delante y permanezca frente a la base sobre el material que va a cortar.
3. Utilizando la palanca retráctil, retraiga el protector de la hoja hasta la posición superior. Baje la parte trasera de la base hasta que los dientes de la hoja casi toquen la línea de corte.
4. Suelte el protector de hoja (el contacto con la pieza de trabajo la mantendrá en posición para abrirse libremente cuando inicie el corte). Retire la mano de la palanca del protector y agarre firmemente la empuñadura auxiliar (4), tal y como se muestra en la Figura M. Coloque su cuerpo y su brazo para que pueda resistir el rebote si llegase a producirse.

5. Compruebe que la hoja no esté en contacto con la superficie de corte, antes de empezar a aserrar.
6. Arranque el motor, deje que la sierra alcance su velocidad completa y baje la sierra gradualmente hasta que la placa de base quede en posición plana sobre el material que va a cortar. Haga avanzar la sierra a lo largo de la línea de corte hasta terminar el corte.
7. Suelte el activador y deje que la hoja se detenga completamente antes de retirarla del material.
8. Cuando inicie un nuevo corte, repita los pasos anteriores.

Corte al hilo

Se suministra una guía de corte al hilo con la herramienta. El corte al hilo es el proceso de corte de tablas anchas en listones más finos, cortando longitudinalmente a la fibra. La guía manual es más difícil para este tipo de aserrado, por lo que se recomienda el uso de la guía de corte al hilo.

Extracción de polvo



ADVERTENCIA: Riesgo de inhalación de polvo. Para reducir el riesgo de daños personales, lleve **SIEMPRE** una máscara de polvo aprobada.



ADVERTENCIA: UTILICE SIEMPRE un extractor de aspiradora diseñado de conformidad con las directivas aplicables relativas a la emisión de polvo durante el corte de madera. Las mangueras de aspiración de la mayoría de las aspiradoras se adaptan directamente a la salida de extracción de polvo.

La herramienta está dotada de un puerto de extracción de polvo (18). El puerto de extracción de polvo permite conectar el aparato a un extractor de polvo externo.

Mantenimiento

La herramienta STANLEY FATMAX ha sido diseñada para funcionar durante un largo período de tiempo con un mantenimiento mínimo. El funcionamiento satisfactorio y continuo depende del buen cuidado de la herramienta y de una limpieza frecuente.

El cargador no requiere otro mantenimiento que una limpieza periódica.



¡Advertencia! Antes de realizar alguna operación de mantenimiento en la herramienta, extraiga la batería. Desenchufe el cargador antes de limpiarlo.

- Limpie periódicamente las ranuras de ventilación de la herramienta y del cargador con un cepillo suave o un paño seco.
- Limpie periódicamente la carcasa del motor con un paño húmedo. No utilice productos de limpieza abrasivos o a base de disolventes.

Protección del medioambiente



Recogida selectiva. Los productos y las baterías marcadas con este símbolo no se deben desechar con la basura doméstica normal.

Los productos y las baterías contienen materiales que se puedan recuperar o reciclar y reducen la demanda de materias primas. Recicle los productos eléctricos y las baterías de conformidad con las normas locales. Puede obtener más información en www.2helpU.com

Estos productos también cumplen las Directivas 2006/42/CE, 2014/30/UE y 2011/65/UE. Si desea obtener más información, póngase en contacto con STANLEY FATMAX a través de la siguiente dirección o consulte el reverso del manual.

El abajo firmante es responsable de la elaboración del expediente técnico y realiza esta declaración en nombre de STANLEY FATMAX.



Ed Higgins

Director - Herramientas eléctricas de consumo
STANLEY FATMAX Europa, rue Egide Walschaertsstraat
14-18, 2800 Mechelen, Bélgica
25/11/2019

Datos técnicos

SFMC550		
Tensión de entrada	V _{cc}	18
Velocidad en vacío	min ⁻¹	5.000
Profundidad máxima de corte	mm	65
Profundidad máx. de corte en un bisel de 45°	mm	50
Diámetro de la hoja	mm	190
Orificio de la hoja	mm	30
Ancho de la punta de la hoja	mm	1,8
Peso	kg	3,2
L _{PA} (presión acústica) 84,5 dB(A), incertidumbre (K) 3 dB(A)		
L _{WA} (potencia acústica) 95,5 dB(A), incertidumbre (K) 3 dB(A)		
Valores totales de las vibraciones (suma de vectores teniendo en cuenta los tres ejes) de acuerdo con la norma EN 62841:		
Corte de madera (a _{h,w}) 1,4 m/s ² , incertidumbre (K) 1,5 m/s ²		
Cargador SFMCB11/SFMCB12/SFMCB14		
Voltaje de entrada	V _{ca}	230
Voltaje de salida	V _{cc}	18
Corriente	A	1,25/2,0/4,0
Batería SFMCB201/202/204/206		
Voltaje	V _{cc}	18
Capacidad	Ah	1,5/2,0/4,0/6,0
Tipo		Iones de litio

Declaración de conformidad CE DIRECTIVA SOBRE MAQUINARIA



SFMC550 Sierra circular

STANLEY FATMAX declara que los productos descritos en "Datos técnicos" cumplen las siguientes normas:
EN62841-1:2015, EN62841-2-5:2014.

Garantía

STANLEY FATMAX confía en la calidad de sus productos y ofrece a los consumidores una garantía de 12 meses a partir de la fecha de compra. Esta garantía es adicional a sus derechos legales y no los menoscaba en modo alguno.

La garantía es válida dentro de los territorios de los Estados Miembros de la Unión Europea y del Área de Libre Comercio Europea.

Para reclamar la garantía, la reclamación se debe presentar de conformidad con las condiciones de STANLEY FATMAX y se debe presentar el justificante de compra al vendedor o al agente técnico autorizado.

Las condiciones de la garantía de STANLEY FATMAX de 1 año de duración y la ubicación de su agente técnico autorizado más cercano se pueden obtener en Internet en www.2helpU.com o poniéndose en contacto con su oficina local de STANLEY FATMAX en la dirección que se indica en este manual.

Visite nuestro sitio web www.stanleytools.eu/3 para registrar su nuevo producto STANLEY FATMAX y recibir noticias sobre nuevos productos y ofertas especiales.

Utilização pretendida

A serra STANLEY FATMAX SFMCS550 foi concebida para serrar madeira e produtos de madeira. Esta ferramenta destina-se a utilização profissional bem como a utilizadores privados não profissionais.

Instruções de segurança

Avisos de segurança gerais relativos a ferramentas eléctricas



Atenção! Leia todos os avisos de segurança, instruções, ilustrações e especificações fornecidos com esta ferramenta eléctrica. O não cumprimento de todas as instruções indicadas abaixo pode resultar em choque eléctrico, incêndio e/ou ferimentos graves.

Guarde todos os avisos e instruções para futura referência. O termo "ferramenta eléctrica" em todos os avisos apresentados abaixo refere-se a ferramentas eléctricas com ligação à corrente eléctrica (com fio) ou com bateria (sem fio).

1. Segurança na área de trabalho

- Mantenha a área de trabalho limpa e bem iluminada.** As áreas desorganizadas ou escuras são propensas a acidentes.
- Não utilize as ferramentas eléctricas em ambientes explosivos, como, por exemplo, na presença de líquidos, gases ou poeiras inflamáveis.** As ferramentas eléctricas criam faíscas que poderão inflamar estas poeiras ou vapores.
- Mantenha as crianças e outras pessoas à distância quando utilizar uma ferramenta eléctrica.** As distrações podem levar à perda do controlo da ferramenta.

2. Segurança eléctrica

- As fichas das ferramentas eléctricas têm de ser compatíveis com a tomada de electricidade. Nunca modifique a ficha de forma alguma. Não utilize fichas adaptadoras com ferramentas eléctricas ligadas à terra.** As fichas não modificadas e as tomadas compatíveis reduzem o risco de choque eléctrico.
- Evite o contacto corporal com superfícies ligadas à terra, como tubos, radiadores, fogões e frigoríficos.** Se o seu corpo estiver "ligado" à terra, o risco de choque eléctrico é maior.
- Não exponha as ferramentas eléctricas à chuva ou a condições de humidade.** A entrada de água numa ferramenta eléctrica aumenta o risco de choque eléctrico.
- Não aplique força excessiva sobre o cabo. Nunca o utilize para transportar, puxar ou desligar a ferramenta eléctrica.**

Mantenha o cabo afastado de fontes de calor, substâncias oleosas, arestas aguçadas ou peças móveis. Os cabos danificados ou emaranhados aumentam o risco de choque eléctrico.

- Ao utilizar uma ferramenta eléctrica no exterior, use uma extensão adequada para utilização ao ar livre.** A utilização de um cabo adequado para uso ao ar livre reduz o risco de choque eléctrico.
- Se não for possível evitar trabalhar com uma ferramenta eléctrica num local húmido, utilize uma fonte de alimentação protegida por um dispositivo de corrente residual (DCR).** A utilização de um DCR reduz o risco de choque eléctrico.

3. Segurança pessoal

- Esteja atento, preste atenção ao que está a fazer e tenha bom senso quando utilizar uma ferramenta eléctrica. Não utilize uma ferramenta eléctrica quando estiver cansado ou sob o efeito de drogas, álcool ou medicamentos.** Um momento de distração durante a utilização de ferramentas eléctricas pode causar ferimentos graves.
- Use equipamento de protecção individual. Use sempre protecção ocular.** O equipamento de protecção, como, por exemplo, uma máscara anti-poeiras, sapatos de segurança antiderrapantes, um capacete de segurança ou uma protecção auditiva, usado nas condições apropriadas, reduz o risco de ferimentos.
- Evite accionamentos acidentais. Certifique-se de que o gatilho da ferramenta está na posição de desligado antes de ligá-la à fonte de alimentação e/ou à bateria, segurar ou transportar a ferramenta.** Se mantiver o dedo no gatilho quando transportar ferramentas eléctricas ou se ligá-las à fonte de alimentação com o gatilho ligado, podem ocorrer acidentes.
- Retire qualquer chave de ajuste ou chave de porcas antes de ligar a ferramenta eléctrica.** Uma chave de porcas ou chave de ajuste deixada numa peça móvel da ferramenta pode resultar em ferimentos.
- Não se estique demasiado quando trabalhar com a ferramenta. Mantenha-se sempre bem posicionado e equilibrado.** Desta forma, será mais fácil controlar a ferramenta eléctrica em situações inesperadas.
- Use vestuário adequado. Não use roupa larga ou jóias. Mantenha o cabelo, a roupa e as luvas afastados das peças móveis.** As roupas largas, as jóias ou o cabelo comprido podem ficar presos nestas peças.

- g. Se forem fornecidos acessórios para a ligação de máquinas de extracção e recolha de partículas, certifique-se de que estes são ligados e utilizados correctamente.** A utilização de dispositivos de extracção de partículas pode reduzir os riscos relacionados com as mesmas.
- h. Não permita que a familiaridade resultante da utilização frequente de ferramentas lhe permita ser complacente e ignorar os princípios de segurança da ferramenta.** Uma acção descuidada pode causar ferimentos graves numa fracção de segundo.
- 4. Utilização e cuidados a ter com a ferramenta**
- a. Não utilize a ferramenta eléctrica de forma forçada. Utilize a ferramenta eléctrica correcta para o seu trabalho.**
A ferramenta eléctrica adequada irá efectuar o trabalho de um modo mais eficiente e seguro se for utilizada de acordo com a potência para a qual foi concebida.
- b. Não utilize a ferramenta eléctrica se o respectivo gatilho não a ligar e desligar.** Qualquer ferramenta eléctrica que não possa ser controlada através do gatilho de alimentação é perigosa e tem de ser reparada.
- c. Retire a ficha da tomada de eletricidade e/ou retire a bateria da ferramenta eléctrica, caso seja desmontável, antes de efetuar quaisquer ajustes, substituir acessórios, ou guardar ferramentas eléctricas.** Estas medidas de segurança preventivas reduzem o risco de ligar a ferramenta eléctrica acidentalmente.
- d. Guarde as ferramentas eléctricas que não estiverem a ser utilizadas fora do alcance de crianças e não permita que o equipamento seja utilizado por pessoas não familiarizadas com o mesmo ou com estas instruções.** As ferramentas eléctricas são perigosas nas mãos de pessoas que não possuam as qualificações necessárias para as manusear.
- e. Faça a manutenção das ferramentas eléctricas e dos acessórios. Verifique se as peças móveis da ferramenta eléctrica estão alinhadas e não emperram, bem como se existem peças partidas ou danificadas ou quaisquer outras condições que possam afectar o funcionamento da mesma. Se a ferramenta eléctrica estiver danificada, esta não deve ser utilizada até que seja reparada.** Muitos acidentes têm como principal causa ferramentas eléctricas com uma manutenção insuficiente.
- f. Mantenha as ferramentas de corte sempre afiadas e limpas.**
As ferramentas de corte sujeitas a uma manutenção adequada, com arestas de corte afiadas, emperram com menos frequência e controlam-se com maior facilidade.
- g. Utilize a ferramenta eléctrica, os acessórios e as peças, etc., de acordo com estas instruções, tendo em conta as condições de trabalho e a tarefa a ser efectuada.**
A utilização da ferramenta eléctrica para fins diferentes dos previstos poderá resultar em situações perigosas.
- h. Mantenha os punhos e as superfícies de fixação secos, limpos e sem óleo ou graxa.** Pegas e superfícies de fixação molhadas não permitem o funcionamento e o controlo seguros em situações inesperadas.
- 5. Utilização e cuidados a ter com a ferramenta a bateria (apenas utilizado para ferramentas a bateria)**
- a. Recarregue apenas com o carregador especificado pelo fabricante.** Um carregador adequado para um tipo de bateria pode causar um incêndio se for utilizado com outra bateria.
- b. Utilize ferramentas eléctricas apenas com baterias específicas.** A utilização de outras baterias pode dar origem a ferimentos e a incêndio.
- c. Quando não utilizar a bateria, mantenha-a afastada de outros objectos metálicos, tais como cliques para papel, moedas, chaves, pregos, parafusos ou outros pequenos objectos metálicos que permitam fazer a ligação de um terminal para outro.** O curto-circuito dos terminais de bateria pode causar queimaduras ou incêndio.
- d. Em condições abusivas, pode derramar líquido da bateria, devendo evitar o contacto. Se tocar acidentalmente no líquido, lave bem com água. Se o líquido entrar em contacto com os olhos, consulte um médico.** O líquido derramado da bateria pode causar irritação ou queimaduras.
- e. Não utilize uma bateria ou ferramenta que esteja danificada ou modificada.** As baterias danificadas ou modificadas podem dar origem a um comportamento imprevisível e resultar em incêndio, explosão ou ferimentos.
- f. Não exponha a bateria ou a ferramenta a fogo ou temperatura excessiva.** A exposição a fogo ou temperatura superior a 130 °C pode causar uma explosão.
- g. Siga todas as instruções de carregamento. Não carregue a bateria ou a ferramenta fora da gama especificada nas instruções.**

O carregamento indevido ou a temperaturas fora da gama especificada podem causar danos na bateria e aumentar o risco de incêndio.

6. Assistência

- a. **A sua ferramenta eléctrica só deve ser reparada por um técnico qualificado e só devem ser utilizadas peças sobresselentes originais.** Desta forma, é garantida a segurança da ferramenta eléctrica.
- b. **Nunca repare baterias danificadas.** A reparação de baterias danificadas só deve ser efectuada pelo fabricante ou por fornecedores de serviços autorizados.

Instruções de segurança para todas as serras

Procedimentos de corte

- a. **⚠ PERIGO: Mantenha as mãos afastadas da área de corte e da lâmina. Mantenha a outra mão na pega auxiliar ou na carcaça do motor.** Se segurar a serra com ambas as mãos, não há o risco de se cortar com a lâmina.
- b. **Não toque por baixo da peça a trabalhar.** A protecção não pode protegê-lo da lâmina sob a peça.
- c. **Ajuste a profundidade de corte de acordo com a espessura da peça de trabalho.** Debaixo da peça de trabalho, deve ser visível menos de um dente completo da lâmina.
- d. **Nunca segure a peça com as mãos ou coloque-a em cima das pernas quando estiver a cortar. Fixe a peça numa plataforma estável.** É importante fixar a peça a trabalhar correctamente, de modo a minimizar a exposição do corpo, bloqueio da lâmina ou perda de controlo.
- e. **Segure a ferramenta eléctrica apenas pelas superfícies de fixação isoladas ao efectuar uma operação em que a ferramenta de corte possa entrar em contacto com fios escondidos.** O contacto com fios sob tensão eléctrica pode fazer também com que as peças de metal expostas da ferramenta conduzam electricidade e electrocutem o operador.
- f. **Quando fizer cortes longitudinais, utilize sempre uma guia longitudinal ou uma guia recta.** Isto melhora a precisão do corte e reduz a possibilidade de bloqueio da lâmina.
- g. **Utilize sempre lâminas com tamanho e forma correctos (diamante, por oposição a redondo) dos orifícios do mandril.** As lâminas que não correspondam ao equipamento de montagem da serra irão ficar descentradas, resultando na perda de controlo.

- h. **Nunca utilize anilhas ou parafusos danificados ou incorrectos.** As anilhas e o parafuso da lâmina foram concebidos especialmente para a sua serra, para garantir um desempenho e segurança do trabalho de excelente qualidade.

Instruções de segurança adicionais para todas as serras

Causas do efeito de ricochete e avisos relacionados

- O efeito de ricochete é uma reacção súbita a uma lâmina de serra comprimida, encravada ou desalinhada, fazendo com que uma serra descontrolada se levante e se solte da peça na direcção do operador;
- Se a lâmina ficar presa ou encravada na zona de corte, a lâmina bloqueia e a reacção do motor direcciona a unidade rapidamente na direcção do utilizador;
- Se a lâmina ficar dobrada ou desalinhada na área de corte, os dentes na extremidade posterior da lâmina possam ficar presos na superfície superior da madeira, fazendo com que a lâmina se liberte da zona de corte e se direcione para o utilizador.

O efeito de ricochete é o resultado de uma utilização abusiva da serra e/ou de condições ou procedimentos de utilização incorrectos e pode ser evitado tomando as precauções indicadas abaixo:

- a. **Segure firmemente a serra com ambas as mãos e posicione os braços de forma a resistir às forças de um ricochete. Posicione o corpo para um dos lados da lâmina, mas não alinhado com a lâmina.** O coice pode fazer com que a serra salte para trás, mas o impacte do coice pode ser controlado pelo utilizador, caso seja tomadas precauções adequadas.
- b. **Se a lâmina encravar ou se houver uma interrupção do corte, por qualquer motivo, liberte o gatilho e segure a serra imóvel no material até que a lâmina pare completamente. Nunca tente remover a lâmina da área de corte nem puxe a serra para trás enquanto a lâmina estiver em movimento, caso contrário pode ocorrer o efeito de ricochete.** Investigue e tome acções correctivas para eliminar a causa do bloqueio da lâmina.
- c. **Quando retomar a serragem numa peça, centre a lâmina da serra na zona de corte e verifique se os dentes da serra não estão em contacto com o material.** Se uma lâmina da serra ficar bloqueada, pode soltar-se ou fazer ricochete quando a serra for reiniciada.
- d. **Coloque painéis grandes para minimizar o risco de bloqueio e ricochete da lâmina.** Os painéis de grandes dimensões tendem a vergar sobre o seu próprio peso.

Devem ser colocados apoios debaixo do painel em ambos os lados, perto da linha de corte e da extremidade do painel.

- e. **Não utilize lâminas embotadas ou danificadas.** As lâminas não afiadas ou instaladas incorrectamente criam um corte estreito, provocando fricção excessiva, bloqueio da lâmina e ricochete.
- f. **As alavancas de profundidade e de bloqueio de ajuste do bisel devem estar apertadas e fixas antes de fazer o corte.** Se o ajuste da lâmina for alterado durante o corte, poderá provocar o respectivo bloqueio e ricochete.
- g. **Tenha especial cuidado quando serrar em paredes existentes ou outras áreas ocultas.** A lâmina saliente pode cortar objectos que possam causar efeito de ricochete.

Instruções de segurança para serras com resguardo de lâmina de trabalho

Função da protecção inferior

- a. **Verifique se o resguardo fecha bem antes de cada utilização. Não utilize a serra se o resguardo inferior não se movimentar livremente e fechar de imediato. Nunca fixe ou ate a protecção inferior na posição aberta.** Se a serra cair acidentalmente, a protecção inferior poderá ser deformada. Levante o resguardo inferior com a pega retráctil e certifique-se de que desloca livremente e não toca na lâmina nem em qualquer outra parte, em todos os ângulos e profundidades de corte.
- b. **Verifique o funcionamento da mola da protecção inferior. Se a protecção e a mola não funcionarem devidamente, devem ser reparados antes de utilizar a serra.** A protecção inferior pode funcionar com alguma lentidão devido a peças danificadas, depósitos pegajosos ou acumulação de resíduos.
- c. **A protecção inferior pode ser retraída manualmente apenas no caso de cortes especiais como “cortes por incisão” ou “cortes compostos”.** Levante o resguardo inferior, recolhendo a pega e assim que a lâmina entrar no material, o resguardo inferior deve ser libertado. No que respeita a outras operações de serragem, o resguardo inferior deve funcionar automaticamente.
- d. **Certifique-se sempre de que o resguardo inferior tapa a lâmina antes de colocar a serra na bancada ou no chão.** Uma lâmina sem protecção e deslizante pode fazer com que a serra recue, cortando qualquer objecto que apareça à frente. Verifique o tempo que a lâmina demora a parar de rodar depois de libertar o comando.

Instruções de segurança adicionais para serras circulares

- **Use uma protecção auditiva.** A exposição ao ruído pode causar perda auditiva.
- **Utilize uma máscara anti-poeira.** A exposição a partículas de pó pode causar dificuldades de respiração e possíveis ferimentos.
- **Não utilize lâminas com um diâmetro superior ou inferior ao recomendado.** Para saber qual é a capacidade adequada da lâmina, consulte os **dados técnicos**. Utilize apenas as lâminas especificadas neste manual e em conformidade com a norma EN 847-1.
- **Utilize apenas as lâminas de serra que estejam assinaladas com uma velocidade igual ou superior à velocidade assinalada na ferramenta.**
- **Evite que as pontas da lâmina fiquem sobreaquecidas.**
- **Instale a saída de extracção de serradura na serra antes de utilizar.**
- **Nunca utilize discos de corte abrasivos.**
- **Não utilize acessórios com alimentação a água.**
- **Utilize grampos ou outro sistema prático para apoiar e fixar a peça numa plataforma estável.** Segurar a peça com a mão ou contra o corpo pode causar instabilidade e perda de controlo.

Riscos residuais

Os seguintes riscos são inerentes à utilização das serras:

- Ferimentos causados ao tocar nas partes rotativas.

Mesmo com a aplicação dos regulamentos de segurança relevantes e com a implementação de dispositivos de segurança, alguns riscos residuais não podem ser evitados.

Estes riscos são os seguintes:

- Danos auditivos.
- Risco de acidentes causados por partes descobertas da lâmina da serra em rotação.
- Risco de ferimentos ao substituir a lâmina.
- Risco de entalar os dedos quando abrir as protecções.
- Perigos de saúde provocados pela inalação de poeiras produzidas durante o corte de madeira, especialmente carvalho, faia e placas de fibra de densidade média.

Segurança de outras pessoas

- Esta ferramenta não deve ser utilizada por pessoas (incluindo crianças) que apresentem capacidades físicas, sensoriais ou mentais reduzidas ou que não possuam os conhecimentos e a experiência necessários, excepto se forem vigiadas e instruídas acerca da sua utilização por uma pessoa responsável pela sua segurança.
- As crianças devem ser vigiadas para que não mexam no equipamento.

Vibração

Os valores de emissão de vibração declarados na secção de dados técnicos e na declaração de conformidade foram medidos de acordo com o método de teste padrão fornecido pela EN62841 e podem ser utilizados para comparar ferramentas. O valor de emissão de vibração pode ser também utilizado numa avaliação precoce à exposição.



Atenção! O valor de emissão de vibração durante a utilização da ferramenta eléctrica pode ser diferente do valor declarado, dependendo da maneira como a ferramenta é utilizada. O nível de vibração pode aumentar para um valor superior ao indicado.

Quando avaliar a exposição a vibração para determinar as medidas de segurança exigidas pela norma 2002/44/CE para proteger as pessoas que utilizam ferramentas eléctricas com frequência, deve ser efectuada uma estimativa da exposição a vibração, as condições de utilização e a maneira como a ferramenta é utilizada, incluindo a consideração todas as fases do ciclo de funcionamento, por exemplo, o número de vezes que a ferramenta é desligada e quando funciona ao ralento, além do tempo de accionamento.

Etiquetas colocadas na ferramenta

A ferramenta apresenta os seguintes símbolos de aviso juntamente com o código de data:



Atenção! Para reduzir o risco de ferimentos, o utilizador deve ler o manual de instruções.

Instruções de segurança adicionais para baterias e carregadores

Baterias

- Nunca tente abrir a bateria, seja qual for o motivo.
- Não exponha a bateria à água.
- Não as armazene em locais onde a temperatura possa exceder os 40 °C.
- Carregue apenas a temperaturas ambiente entre 10 °C e 40 °C.
- Carregue apenas com o carregador fornecido com a ferramenta.
- Quando eliminar as baterias, siga as instruções da secção "Protecção do ambiente".



Não tente carregar baterias danificadas.

Carregadores

- Utilize o carregador apenas para carregar a bateria na ferramenta respectiva. Outras baterias podem rebentar, provocando ferimentos e danos.
- Nunca tente carregar baterias não recarregáveis.
- Substitua os cabos defeituosos de imediato.
- Não exponha a bateria à água.
- Não abra o carregador.

- Não manipule o interior do carregador.



O carregador deverá ser utilizado apenas em espaços interiores.

Segurança eléctrica



Este carregador tem um isolamento duplo e, por isso, não é necessário um fio de terra. Verifique sempre se a fonte de alimentação corresponde à tensão indicada na placa sinalética.

- Se o cabo de alimentação estiver danificado, deve ser substituído pelo fabricante ou por um centro de assistência autorizado da STANLEY FATMAX para evitar ferimentos.

Descrição (Fig. A)



ATENÇÃO: Nunca modifique a ferramenta eléctrica nem qualquer um dos seus componentes. Tal poderia resultar em danos ou ferimentos.

1. Interruptor de ligar/desligar
2. Botão de travamento
3. Punho principal
4. Cabo secundário
5. Base de apoio
6. Lâmina da serra
7. Protecção inferior da lâmina
8. Alavanca de retracção do resguardo inferior
9. Alavanca de ajuste do bisel
10. Régua do ângulo de esquadria
11. Anilha de fixação da lâmina exterior
12. Parafuso de fixação da lâmina
13. Alavanca de ajuste de profundidade
14. Botão de bloqueio do eixo
15. Bateria
16. Patilha de libertação da bateria
17. Chave sextavada
18. Saída de extracção de poeira



ATENÇÃO: Não corte metal, alvenaria, vidro, azulejo ou plástico com esta serra. Uma lâmina embotada causa um corte lento e ineficaz, que resulta numa sobrecarga do motor da serra, projecção excessiva de lascas e aumenta a probabilidade de ocorrência do efeito de ricochete.

- **NÃO** utilize lâminas abrasivas.
- Utilize apenas as lâminas de concebidas para corte de madeira.



ATENÇÃO: O corte de madeira com seiva e outros materiais pode causar a acumulação de material derretido nas pontas da lâmina e na lâmina da serra, aumentando o risco de sobreaquecimento da lâmina e dobragem durante o corte.

NÃO utilize as ferramentas em locais húmidos ou na presença de líquidos ou gases inflamáveis.

NÃO permita que crianças entrem em contacto com a ferramenta. É necessária supervisão se estas ferramentas forem manuseadas por utilizadores inexperientes.

NÃO utilize a ferramenta em ambientes húmidos ou na presença de gases ou líquidos inflamáveis.

NÃO permita que crianças entrem em contacto com a ferramenta. É necessária supervisão se estas ferramentas forem manuseadas por utilizadores inexperientes.

- ◆ **Crianças e pessoas inválidas.** Este equipamento não foi concebido para ser utilizado por crianças e pessoas inválidas sem supervisão.
- ◆ Este produto não deve ser utilizado por pessoas (incluindo crianças) que sofram de capacidades físicas, sensoriais ou mentais reduzidas, falta de experiência ou conhecimentos, a menos que estejam acompanhados por uma pessoa que se responsabilize pela sua segurança. As crianças nunca devem ficar sozinhas com este produto.

Colocar e remover a bateria (Fig. B)

- ◆ Para colocar a bateria (15), alinha-a com o receptáculo na ferramenta. Faça deslizar a bateria para dentro do receptáculo e puxe até que a bateria se encaixe devidamente.
- ◆ Para remover a bateria, pressione os botões de desbloqueio (16) enquanto retira, simultaneamente, a bateria do receptáculo.

Utilização



ATENÇÃO: Deixe a ferramenta funcionar ao seu próprio ritmo. Não a sobrecarregue. Esta ferramenta pode ser utilizada com a mão direita ou com a mão esquerda.

Carregar a bateria (Fig. B)

A bateria precisa de ser carregada antes da primeira utilização e sempre que não consiga produzir energia suficiente em trabalhos habitualmente feitos sem dificuldade. A bateria pode aquecer quando estiver a carregar. Isto é normal e não indica um problema.



ATENÇÃO: Não carregue a bateria a temperaturas ambiente inferiores a 10 °C ou superiores a 40 °C. Temperatura de carregamento recomendada: aproximadamente 24 °C.

Nota: O carregador não carrega a bateria se a temperatura das células for inferior a aprox. 10 °C ou superior a 40 °C. A bateria deve ser deixada no carregador e este começa a carregar automaticamente quando a temperatura das células aumentar ou diminuir.

- ◆ Para carregar a bateria (15), insira-a no carregador (24). A bateria só pode ser encaixada no carregador de uma forma. Não force o movimento de corte.

Certifique-se de que a bateria está completamente introduzida no carregador.

- ◆ Ligue o carregador e ligue-o à corrente.

O indicador de carga (25) estará intermitente.

O carregamento está concluído quando a luz do indicador de carga (25) ficar acesa de forma contínua. O carregador e a bateria podem ficar ligados indefinidamente. O LED acende-se quando o carregador ocasionalmente preenche a carga da bateria.

- ◆ As baterias descarregadas devem ser carregadas no espaço de 1 semana. A vida útil da bateria diminui consideravelmente se for guardada sem carga.

Deixar a bateria no carregador

O carregador e a bateria podem permanecer ligados com o LED aceso indefinidamente. O carregador irá manter a bateria completamente carregada.

Diagnóstico do carregador

Se o carregador detectar que a bateria está fraca ou danificada, o indicador de carga (25) começa a piscar rapidamente a vermelho. Proceda da seguinte forma:

- ◆ Volte a colocar a bateria (15).
- ◆ Se os indicadores de carga continuarem a piscar rapidamente a vermelho, utilize uma bateria diferente para determinar se o processo de carga funciona correctamente.
- ◆ Se a bateria de substituição carregar correctamente, isso significa que a bateria original está defeituosa e deve ser entregue num centro de assistência para reciclagem.
- ◆ Se a bateria nova der a mesma indicação que a bateria original, leve o carregador até um centro de assistência autorizado para ser testado.

NOTA: Determinar se a bateria está defeituosa pode demorar até 30 minutos. Se a bateria estiver demasiado quente ou fria, o LED pisca de maneira alternada a vermelho de modo rápido e lento, piscando uma vez a cada velocidade e repetindo o processo.

Montar e retirar a lâmina (Fig. C)

1. Retire o resguardo inferior e monte a lâmina da serra (6) e a anilha de fixação da lâmina exterior (11), como indicado na Figura C.
2. Accione o botão de bloqueio do veio (14) ao mesmo tempo que gira o eixo de fixação da serra (12) com a chave sextavada (17) até o bloqueio da lâmina ficar encaixado e a lâmina parar de rodar.

NOTA: A chave sextavada é armazenada na serra, como indicado na Figura A.

Aperte o parafuso de fixação da lâmina com firmeza utilizando a chave sextavada.

NOTA: O parafuso enrosca para a direita. Para desapertá-lo, rode-o para a esquerda. Para apertá-lo, rode-o para a direita.

NOTA: Nunca engate o bloqueio da lâmina quando a serra estiver em funcionamento nem o engate para parar a ferramenta. Nunca ligue a ferramenta com o bloqueio do eixo encaixado. Isso poderá resultar em danos graves na serra.

Apoiar painéis grandes/fixar a peça de trabalho (Fig. D-G)

Apoie painéis grandes para minimizar o risco de bloqueio da lâmina e de ricochete. Os painéis grandes tendem a vergar sobre o seu próprio peso, como indicado na Figura D. Devem ser colocados apoios debaixo do painel em ambos os lados, perto da linha de corte e da extremidade do painel (Figura E).



ATENÇÃO: Para reduzir o risco de ferimentos, nunca fixe a peça que está a ser cortada com as mãos ou coloque-a junto à sua perna (Figura F).

Fixe a peça numa plataforma estável, como indicado na Figura G. É importante fixar a peça a trabalhar correctamente, de modo a minimizar a exposição do corpo, bloqueio da lâmina ou perda de controlo.

Ajuste da profundidade de corte (Fig. G-I)

A profundidade de corte deve ser definida de acordo com a espessura da peça.

1. Desaperte a alavanca de ajuste de profundidade (13) para desbloquear a base da serra (5).
2. Alinhe a base da serra com a profundidade de corte indicada nas marcas da régua na presilha de profundidade.
3. Regule o ajuste de profundidade da serra de modo a que um dente (19) da lâmina fique saliente abaixo da peça de trabalho (20), conforme indicado na Figura I.
4. Aperte a alavanca de ajuste de profundidade para bloquear a base da serra na respectiva posição.

Ajuste do ângulo do bisel (Fig. J)

Os ângulos do bisel desta ferramenta podem ser definidos entre 0° e 56°.

1. Desaperte a alavanca de ajuste de profundidade (9) para desbloquear a base da serra (5).
2. Mova a base da serra para a posição pretendida que corresponda às marcas do ângulo de bisel na régua do ângulo de esquadria (10).
3. Aperte a alavanca de ajuste de bisel para bloquear a base da serra na respectiva posição.
4. Confirme a precisão da definição, verificando o ângulo de bisel de um corte num pedaço de material cortado.

Ajuste da base de apoio para cortes a 90° (Fig. K)

A base (5) foi regulada de fábrica para garantir que a lâmina fica perpendicular à base a uma regulação de bisel de 0°.

Se for necessário alinhá-la de novo:

1. Ajuste a serra para um bisel de 0°.
2. Recolha o resguardo inferior da lâmina (7).

3. Alavanca de ajuste do bisel solta (9). Coloque um esquadro contra a lâmina (6) e a base (5) para especificar um ângulo de 90°.
4. Rode o parafuso de calibração (22) para que a base de apoio pare no ângulo adequado.
5. Confirme a precisão da definição, verificando a esquadria de um corte num pedaço de material cortado.

Interruptor de ligar/desligar (Fig. A)

A serra está equipada com uma funcionalidade de bloqueio do interruptor para evitar o funcionamento acidental.

1. Para utilizar a ferramenta, pressione o botão de travamento (2) num dos lados da serra e mantenha-o pressionado ao mesmo tempo que pressionar o gatilho (1).
2. Depois de pressionar o gatilho e com a ferramenta ligada, liberte o botão de travamento. A ferramenta continua a funcionar enquanto o interruptor de gatilho for pressionado.
3. Para desligar a ferramenta, liberte o interruptor de accionamento.

NOTA: Esta ferramenta não está regulada para bloquear a ferramenta e o gatilho nunca deve ser bloqueado como Ligado por quaisquer outros meios.

Travão eléctrico automático

A serra está equipada com um travão de lâmina eléctrico que pára a lâmina 1 a 2 segundos depois de libertar o gatilho. Isto é um processo automático que não requer regulação.

Resguardo inferior da lâmina



ATENÇÃO: Risco de laceração. O resguardo inferior da lâmina é uma função de segurança que reduz o risco de ferimentos graves. Nunca utilize a serra se o resguardo inferior não estiver montado, apresentar danos, estiver montado incorrectamente ou não funcionar em condições. Não conte com o resguardo inferior da lâmina para protegê-lo em todas as circunstâncias. A sua segurança depende do cumprimento de todos os avisos e precauções, bem como do funcionamento correcto da serra. Verifique se o resguardo inferior está bem fechado antes de cada utilização, tal como indicado em **Instruções de segurança adicionais para todas as serras**. Se o resguardo inferior da lâmina estiver em falta ou não funcionar correctamente, a serra deve ser reparada antes de a utilizar. Para garantir a segurança e a fiabilidade do equipamento, a reparação, manutenção e o ajuste devem ser efectuados num centro de assistência autorizado do equipamento, autorizado ou noutra organização de assistência qualificada, utilizando sempre peças sobresselentes idênticas.



ATENÇÃO: Use sempre protecção ocular para minimizar o risco de lesões oculares.

O carboneto é um material duro, mas frágil. Quaisquer objectos estranhos na peça a trabalhar, tais como arame ou pregos podem fazer com que as pontas fiquem rachadas ou partidas. Utilize a serra apenas se o resguardo da lâmina da serra estiver instalado. Monte a lâmina com firmeza com a rotação adequada antes de utilizá-la e use sempre uma lâmina limpa e afiada.



ATENÇÃO: Para reduzir o risco de ferimentos, é importante apoiar a peça de trabalho correctamente e segurar a serra com firmeza para evitar a perda de controlo, o que pode causar ferimentos. A Figura L mostra o apoio normal da mão.



ATENÇÃO: Para reduzir o risco de ferimentos graves, leia, compreenda e siga todos os avisos e instruções de segurança importantes antes de utilizar a ferramenta.

Escolher as lâminas

A serra circular foi concebida para utilização com lâminas de 190 mm de diâmetro com um diâmetro interno de 30 mm. As lâminas devem funcionar a 6000 RPM (ou superior). NÃO utilize discos abrasivos.

Cortes gerais



ATENÇÃO: Para reduzir o risco de ferimentos, retire a bateria e siga todas as instruções de montagem, ajuste e instalação.

Verifique se o resguardo inferior funciona. Seleccione a lâmina correcta para o material que pretende cortar.

- Meça e assinale a peça que pretende cortar.
- Apoie e fixe a peça correctamente (consulte *Apoiar painéis grandes/fixar a peça de trabalho*).
- Utilize equipamento de segurança adequado e necessário (consulte *Informações de segurança adicionais*).
- Fixe e mantenha a área de trabalho (consulte *Instruções de segurança para todas as serras*).
- Com a bateria instalada, verifique se o gatilho liga e desliga a serra.

Serrar



ATENÇÃO: Para reduzir o risco de ferimentos graves, segure sempre a ferramenta com ambas as mãos.

- Posicione o corpo num dos lados da lâmina, mas não alinhado com a lâmina da serra. O ricochete pode fazer com que a lâmina salte. Consulte *Instruções de segurança adicionais para todas as serras* e *Causas do efeito de ricochete e avisos relacionados*.
- Deixe a lâmina a funcionar livremente durante alguns segundos antes de iniciar o corte.
- Exerça um ligeira pressão na ferramenta durante o corte.
- Trabalhe com a base pressionada contra a peça.

Sugestões para uma Utilização Ideal

- Uma vez que não é possível evitar que a madeira lasque ao longo da linha de corte na parte superior da peça, corte apenas no lado em que tal é aceitável.
- Quando pretender minimizar a formação de lascas, por exemplo, para serrar laminados, fixe um fragmento de contraplacado na parte superior da peça.

Corte ligeiro (Fig. M)



ATENÇÃO: Nunca fixe o resguardo da lâmina numa posição levantada. Nunca puxe a serra para trás quando efectuar cortes ligeiros. Isto pode fazer com que a unidade se projecte para cima da superfície de trabalho, podendo causar ferimentos.

Um corte ligeiro é efectuado quando a extremidade do material não abre o resguardo inferior, mas a extremidade inferior da lâmina rotativa corta a parte central do material.

1. Ajuste a base (5) para que a lâmina efectue o corte à profundidade pretendida.
2. Incline a serra para a frente e deixe a parte da frente da base sobre o material que pretende cortar.
3. Utilizando a alavanca de retracção, recolha o resguardo inferior da lâmina para cima. Baixe a parte de trás da base até os dentes da lâmina quase tocarem na linha de corte.
4. Liberte o resguardo da lâmina (o contacto da lâmina com a peça a trabalhar irá mantê-la numa posição para abrir-se lentamente à medida que iniciar o corte). Retire a mão da alavanca do resguardo e agarre na pega auxiliar (4) com firmeza, como indicado na Figura M. Posicione o corpo e o braço de modo a resistir contra o ricochete, caso ocorra.
5. Antes de ligar a serra, certifique-se de que a lâmina não está em contacto com a superfície de corte.
6. Ligue o motor, aguarde até a serra atingir a velocidade máxima e depois baixe a serra gradualmente até a base ficar apoiada sobre o material que pretende cortar. Empurre a serra para a frente ao longo da linha de corte até o corte ser concluído.
7. Liberte o gatilho e deixe a lâmina parar por completo antes de retirar a lâmina do material.
8. Quando iniciar um novo corte, siga os procedimentos indicados acima.

Serração ao comprido

A ferramenta está equipada com uma guia longitudinal. A serração ao comprido é o processo de corte placas mais largas em placas mais finas – cortando veios na longitudinal. A orientação com a mão é mais difícil para este tipo de serração e é recomendável utilizar a guia longitudinal.

Extracção de serradura



ATENÇÃO: Risco de inalação de poeira. Para reduzir o risco de ferimentos, use **SEMPRE** uma máscara anti-poeira aprovada.



ATENÇÃO: Utilize **SEMPRE** um extractor de vácuo concebido em conformidade com as directivas aplicáveis no que respeita à emissão de serradura durante o corte de madeira. Os tubos de vácuo da maioria dos aspiradores comuns encaixam directamente na saída de extracção de serradura.

A ferramenta está equipada com uma saída de extracção de poeira (18). A saída de extracção de poeira permite ligar a ferramenta a um extractor de poeira externo.

Manutenção

A ferramenta da STANLEY FATMAX foi concebida para funcionar durante um longo período de tempo com uma manutenção mínima. Uma utilização continuamente satisfatória depende de uma manutenção apropriada da ferramenta e de uma limpeza regular.

O carregador não requer manutenção, além do processo de limpeza normal.



Atenção! Antes de ser realizada qualquer operação de manutenção na ferramenta, remova a bateria da ferramenta. Desligue o carregador antes de limpá-lo.

- Limpe regularmente as aberturas de ventilação do ferramenta e do carregador com uma escova suave ou um pano seco.
- Limpe regularmente o compartimento do motor com um pano húmido.
Não utilize nenhum produto de limpeza abrasivo ou à base de solvente.

Proteger o meio ambiente



Faça uma recolha de lixo selectiva. Os produtos e baterias assinalados com este símbolo não devem ser eliminados em conjunto com resíduos domésticos normais.

Os produtos e baterias contêm materiais que podem ser recuperados ou reciclados, reduzindo a necessidade de matérias-primas. Recicle os produtos eléctricos e as baterias de acordo com as disposições locais. Estão disponíveis mais informações em www.2helpU.com

Dados técnicos

SFMC550			
Tensão de entrada	V _{cc}		18
Velocidade sem carga	min. ⁻¹	5.000	
Profundidade máxima de corte	mm	65	
Profundidade máxima de corte a um bisel de 45°	mm	50	
Diâmetro da lâmina	mm		190
Diâmetro interno da lâmina	mm	30	
Largura da ponta da lâmina	mm	1,8	

Peso	kg	3,2
L _{PA} (pressão acústica): 84,5 dB(A), variabilidade (K): 3 dB(A)		
L _{WA} (potência acústica): 95,5 dB(A), variabilidade (K): 3 dB(A)		
Valores totais de vibração (soma vectorial triax) em conformidade com a norma EN 62841:		
Cortar madeira (a _{h,w}) 1.4 m/s ² , imprecisão (K) 1.5 m/s ²		
Carregador	SFMCB11/SFMCB12/SFMCB14	
Tensão de entrada	V _{ca}	230
Tensão de saída	V _{cc}	18
Corrente	A	1,25/2,0/4,0
Bateria	SFMCB201/202/204/206	
Tensão	V _{cc}	18
Capacidade	Ah	1,5/2,0/4,0/6,0
Tipo	lões de lítio	

Declaração de conformidade da CE DIRECTIVA "MÁQUINAS"



SFMC550 Serras circulares

A STANLEY FATMAX declara que os produtos descritos em "dados técnicos" estão em conformidade com as seguintes normas:
EN62841-1:2015, EN62841-2-5:2014.

Estes produtos estão também em conformidade com a directiva 2006/42/CE, 2014/30/UE e 2011/65/UE. Para obter mais informações, contacte a STANLEY FATMAX através da morada indicada ou consulte o verso do manual.

O signatário é responsável pela compilação do ficheiro técnico, fazendo esta declaração em nome da STANLEY FATMAX.

Ed Higgins
Director – Ferramentas eléctricas domésticas
STANLEY FATMAX Europe, Egide Walschaertsstraat 14-18,
2800 Mechelen, Bélgica
25/11/2019

Garantia

A STANLEY FATMAX confia na qualidade dos seus produtos e oferece aos clientes uma garantia de 12 meses a partir da data de compra. Esta garantia é um complemento dos seus direitos estabelecidos por lei e não os prejudica de forma alguma.

A garantia é válida nos territórios dos Estados-membros da União Europeia e nos países-membros da Zona Europeia de Comércio Livre.

Para accionar a garantia, esta deve estar em conformidade com os termos e condições da STANLEY FATMAX e terá de apresentar comprovativos de compra ao vendedor ou a um agente de reparação autorizado.

Os termos e condições da garantia de 1 da STANLEY FATMAX e a localização do agente de reparação autorizado mais próximo pode ser obtido na Internet em www.2helpU.com ou contactando uma filial local da STANLEY FATMAX, cuja morada está indicada neste manual.

Visite o nosso Website www.stanleytools.eu/3 para registar o novo produto da STANLEY FATMAX e estar actualizado relativamente a novos produtos e ofertas especiais.

Avsedd användning

Din STANLEY FATMAX SFCMS550 såg har designats för sågning av trä och träprodukter. Verktøget är avsett för yrkesanvändare och privatkonsumenter.

Säkerhetsinstruktioner

Allmänna säkerhetsvarningar för elverktøy



Varning! Läs alla säkerhetsvarningar, instruktioner, illustrationer och specifikationer som levereras med detta elverktøy. Underlåtenhet att läsa alla instruktioner som listas här nedan kan resultera i elektrisk stöt, eldsvåda och/eller allvarlig personskada.

Spara alla varningar och instruktioner för framtida referens. Termen "elverktøy" i varningarna syftar på ditt starkströmsdrivna (sladdanslutna) elverktøy eller batteridrivna (sladdlösa) elverktøy.

1. Säkerhet vid arbetsområdet

- Håll arbetsområdet rent och ordentligt upplyst.**
Belamrade eller mörka områden inbjuder till olyckor.
- Arbeta inte med elverktøy i explosiv atmosfär, såsom i närheten av brännbara vätskor, gaser eller damm.** Elektriska verktyg ge upphov till gnistor som kan antända dammet eller ångorna.
- Håll barn och åskådare borta medan du arbetar med ett elverktøy.** Distraktioner kan göra att du förlorar kontrollen.

2. Elektrisk säkerhet

- Kontakterna till elverktøyget måste matcha uttaget. Modifiera aldrig kontakten på något sätt. Använd inte några adapterkontakter med jordanslutna (jordade) elektriska verktyg.**
Omodifierade kontakter och matchande uttag minskar risken för elektrisk stöt.

- Undvik kroppskontakt med jordanslutna eller jordade yttor såsom rör, värmeelement, spisar och kylskåp.** Det finns en ökad risk för elektrisk stöt om din kropp är jordansluten eller jordad.
- Utsätt inte elektriska verktyg för regn eller våta förhållanden.** Vatten som kommer in i ett elverktøy ökar risken för elektrisk stöt.
- Misshandla inte sladden. Använd aldrig sladden till att bära, dra eller koppla bort elverktøyget från eluttaget. Håll sladden borta från värme, olja, skarpa kanter eller rörliga delar.** Skadade eller tilltrasslade sladdar ökar risken för elektrisk stöt.
- När du arbetar med ett elverktøy utomhus, använd en förlängningsssladd som passar för utomhusanvändning.** Användning av en sladd som passar för utomhusanvändning minskar risken för elektrisk stöt.
- Om arbete med ett elverktøy i en fuktig lokal är oundvikligt, använd ett uttag som är skyddat med jordfelsbrytare (RCD).** Användning av en RCD minskar risken för elektrisk stöt.

3. Personlig säkerhet

- Var vaksam, ha koll på vad du gör och använd sunt förnuft när du arbetar med ett elverktøy.**
Använd inte ett elverktøy när du är trött eller påverkad av droger, alkohol eller läkemedel. Ett ögonblicks ouppmärksamhet när du arbetar med elektriska verktyg kan resultera i allvarlig personskada.
- Använd personlig skyddsutrustning. Använd alltid skyddsglasögon.** Skyddsutrustning såsom dammfilterskydd, halksäkra säkerhetsskor, skyddshjälm eller hörselskydd som används för lämpliga förhållanden minskar personsador.
- Förebygg oavsiktlig start. Se till att strömbrytaren är i frånläge innan du ansluter till strömkällan och/eller batteripaketet, lyfter upp eller bär verktyget.**
Att bära elektriska verktyg med ditt finger på strömbrytaren eller att strömsätta elektriska verktyg som har strömbrytaren på är att invitera olyckor.
- Avlägsna eventuell justeringsnyckel eller skiftnyckel innan du sätter på elverktøyget.** En skiftnyckel eller en nyckel som sitter kvar på en roterande del av elverktøyget kan resultera i personskada.
- Sträck dig inte för långt. Ha ordentligt fotfäste och balans hela tiden.** Detta möjliggör bättre kontroll av elverktøyget i oväntade situationer.
- Klä dig på lämpligt sätt. Bär inte lösa kläder eller smycken. Håll hår, beklädnad och handskar borta från delar i rörelse.** Lösa kläder, smycken eller långt hår kan fastna i rörliga delar.

- g. Om det finns anordningar för anslutning av apparater för dammsugning och uppsamling, se till att dessa är anslutna och används på ett korrekt sätt.** Användning av dammuppsamling kan minska dammrelaterade faror.
- h. Bli inte värdslös och ignorera inte säkerhetsprinciperna trots att du är van att använda verktyg.** Vårdslös handlande kan leda till allvarlig kroppsskada på en bråkdel av en sekund.
- 4. Användning och skötsel av elverktyg**
- a. Tvinga inte elverktyget. Använd det korrekta elverktyget för ditt arbete.**
Det korrekta elverktyget gör arbetet bättre och säkrare vid den hastighet för vilket det konstruerades.
- b. Använd inte elverktyget om strömbrytaren inte kan slås på eller stängas av.** Ett elverktyg som inte kan kontrolleras med strömbrytaren är farligt och måste repareras.
- c. Dra ur kontakten från strömkällan och/eller ta bort batteripaketet från elverktyget innan du gör några justeringar, byter tillbehör eller verktyg skall förvaras.** Sådana förebyggande säkerhetsåtgärder minskar risken att oavsiktligt starta elverktyget.
- d. Förvara elektriska verktyg som inte används utom räckhåll för barn, och låt inte personer som är obekanta med elverktyget eller med dessa instruktioner använda elverktyget.** Elektriska verktyg är farliga i händerna på utbildade användare.
- e. Underhåll elverktyg och tillbehör. Kontrollera för feljustering eller om rörliga delar har fastnat, bristning hos delar och andra eventuella förhållanden som kan komma att påverka elverktygets funktion. Om det är skadat, se till att elverktyget blir reparerat före användning.** Många olyckor orsakas av dåligt underhållna elektriska verktyg.
- f. Håll kapningsverktyg vassa och rena.** Ordentligt underhållna kapningsverktyg med vassa sågkanter är mindre sannolika att fastna och är lättare att kontrollera.
- g. Använd elverktyget, tillbehören och verktygssatserna, etc. i enlighet med dessa instruktioner, och ta hänsyn till arbetsförhållandena och det arbete som ska utföras.**
Användningen av elverktyget för andra verksamheter än de som det är avsett för skulle kunna resultera i en farlig situation.
- h. Se till att handtagen och greppytorna är torra och fria från olja och fett.** Hala handtag och greppytor förhindrar säker hantering och kontroll av verktyget i oväntade situationer.
- 5. Användning och skötsel av batteridrivna verktyg (används endast för batteridrivna verktyg)**
- a. Ladda endast med den laddare som rekommenderas av tillverkaren.** En laddare som passar en batterityp kan medföra brandrisk om den används ihop med ett annat batteri.
- b. Använd elverktyget endast med batterier som är speciellt avsedda för ändamålet.** Användning av andra batterier kan leda till personsador eller eldsvåda.
- c. När batteripaket inte används bör det hållas borta från andra metallföremål som gem, mynt, nycklar, spikar, skruvar och andra små metallföremål som kan skapa kontakt mellan de två polerna.**
Kortslutning av batteripolerna kan leda till brännskador eller eldsvåda.
- d. Under olämpliga förhållanden kan vätska spruta ut från batteriet. Undvik kontakt. Vid oavsiktlig kontakt, spola med vatten. Om vätskan kommer i kontakt med ögonen, sök också läkarhjälp.** Vätska som sprutar ur batteriet kan orsaka sveda och brännskador.
- e. Använd inte ett batteripaket eller ett verktyg som är defekt eller modifierat.** Defekta eller modifierade batterier kan fungera oförutsägbart och ge upphov till brand, explosion eller risk för kroppsskador.
- f. Utsätt inte batteripaketet eller verktyget för eld eller höga temperaturer.** Utsättande för eld eller temperaturer över 130 °C kan orsaka en explosion.
- g. Följ alla instruktioner gällande laddningen och ladda inte batteripaketet eller verktyget utanför det temperaturintervall som anges i bruksanvisningen.**
Att ladda på fel sätt eller utanför det angivna temperaturintervallet kan skada batteriet och öka brandrisken.
- 6. Service**
- a. Se till att ditt elverktyg får service av en kvalificerad reparatör, som endast använder identiska ersättningsdelar.** Detta säkerställer att elverktygets säkerhet bibehålles.
- b. Gör aldrig service på skadade batteripaket.** Service av batteripaket bör endast genomföras av tillverkaren eller auktoriserade tjänsteleverantörer.
- Säkerhetsinstruktioner för alla sågar**
- Sågningsprocedurer**
- a. ⚠ FARA: Håll händerna borta från sågområdet och sågklingen. Håll andra handen på stödhandtaget eller motorhuset.** Om båda händerna hålls på sågen kan de inte skadas av sågklingen.

- b. **Sträck dig inte under arbetsstycket.** Skyddet kan inte skydda handen mot sågklingan under arbetsstycket.
- c. **Ställ in sågdjupet efter arbetsstyckets tjocklek.** Den synliga delen av en tand på sågbladet under arbetsstycket måste vara mindre än en hel tand.
- d. **Håll aldrig delar som kapas i handen eller tvärs över benen under kapningen.** Fäst arbetsstycket på ett stabilt underlag. Det är viktigt att arbetsstycket hålls fast ordentligt för att undvika kontakt med kroppen, inklämning av sågklingan eller förlorad kontroll över sågen.
- e. **Håll elverktyget i de isolerade handtagen när arbeten utförs där sågverktyget kan komma i kontakt med dolda strömförande ledningar.** Kontakt med en strömförande ledning kan orsaka att exponerade metalldelar på elverktyget blir strömförande och kan ge användaren en elektrisk stöt.
- f. **Använd alltid ett anhåll eller ett skydd med raka kanter när du klyvsågar.** Detta förbättrar snittnoggrannheten och minskar risken för att sågklingan kommer i kläm.
- g. **Använd alltid sågklingor med rätt storlek och lämpligt infästningshål (t.ex. i stjärnform eller rund).** Klingor som inte passar till sågens monteringskomponenter roterar ocentrerat och leder till att kontrollen förloras.
- h. **Använd aldrig skadade eller felaktiga klingbrickor eller bultar.** Klingbrickorna och bultarna har konstruerats speciellt för denna såg för optimal effekt och driftsäkerhet.

Ytterligare säkerhetsinstruktioner för alla sågar

Rekylorsaker och relaterade varningar

- Rekyl är en plötslig reaktion hos en sågklinga som hakat upp sig, klämts fast eller är fel inriktad och som leder till att sågen okontrollerat lyfts upp ur arbetsstycket och kastas mot användaren;
 - Om sågklingan hakar upp sig eller kläms fast i sågspåret som går ihop, kommer klingan att blockera varefter motorkraften kastar sågen i riktning mot användaren;
 - Om klingan blir vriden eller felriktad i sågskåran kan tänderna i bakkanten av klingan gräva sig in i övre ytan av träet och göra att klingan klättrar ut ur sågskåran och hoppar bakåt mot operatören.
- Rekyl är resultatet av felanvändning av verktyget och/eller felaktiga arbetsprocedurer eller arbetsförhållanden, och kan undvikas genom att vidta ordentliga försiktighetsåtgärder så som beskrivs här nedan:

- a. **Håll sågen ordentligt med båda händerna och placera armarna så att du håller emot de krafter som kastar sågen bakåt.**

- Placera kroppen på någon sida av klingan men inte i linje med klingan. Vid en rekyl kan cirkelsågen hoppa bakåt men användaren kan behärska rekylkraften om lämpliga åtgärder vidtagits.
- b. **Om bladet fastnar, eller om sågningen upphör av någon anledning, ska du släppa strömbrytaren och hålla sågen still i arbetsstycket tills bladet helt slutar att snurra. Försök aldrig att ta bort sågen från arbetsstycket eller att dra sågen bakåt medan klingan är i rörelse eftersom det kan bli en rekyl.** Undersök orsaken för inklämd sågklinga och avhjälj felet.
- c. **När en såg som sitter i arbetsstycket ska återstartas centrera sågklingan i sågspåret och kontrollera att sågklingans tänder inte hakat upp sig i materialet.** Är sågklingan inklämd kan den gå upp ur arbetsstycket eller orsaka rekyl vid återstart av sågen.
- d. **Stöd stora arbetsstycken för att minimera risken för kärvning och rekylor.** Stora arbetsstycken tenderar att svikta under sin egen vikt. Skivorna måste därför stödjäs på båda sidorna både i närheten av sågspåret och vid skivans kanter.
- e. **Använd inte slöa eller skadade blad.** Slöa eller felaktigt monterade klingor genererar smala sågspår, vilket leder till att friktionen ökar, klingan fastnar eller att sågen kastas bakåt.
- f. **Före sågning påbörjas dra stadigt fast inställningsanordningarna för sågdjup och snittvinkel.** Om klinginställningarna ändras medan du sågar kan klingan fastna eller sågen kastas bakåt.
- g. **Var extra försiktig vid sågning i befintliga väggar eller andra dolda områden.** Den inträngande sågklingan kan säga föremål som kan orsaka rekylor.

Säkerhetsinstruktioner för sågar med ett pendelbladskydd

Nedre skyddets funktion

- a. **Kontrollera att det nedre skyddet stänger ordentligt innan varje användning. Använd inte sågen om det undre klingskyddet inte är fritt rörligt och inte stängs omedelbart. Kläm aldrig fast eller bind det undre klingskyddet i öppet läge.** Om du tappar sågen av misstag kan det undre skyddet böjas. Öppna klingskyddet med återdragningsspaken och kontrollera att det är fritt rörligt och att det vid alla snittvinklar och snittdjup varken berör sågklingan eller andra delar.
- b. **Kontrollera att fjädern på det nedre skyddet fungerar som den ska. Om skyddet och fjädern inte fungerar rätt, måste de repareras före användning.** Skadade delar, klubbiga avlagringar eller anhopning av spån kan hindra det undre klingskyddets rörelse.

- c. Det undre skyddet får endast öppnas manuellt vid särskilda typer av sågning, t.ex. "instickssägning" och "kombinerad sågning". Öppna det undre klingskyddet med återdragningsspaken och släpp den så fort sågklingan gått in i arbetsstycket. Vid all annan sågning måste det undre klingskyddet fungera automatiskt.
- d. Se till att sågklingan skyddas av det undre klingskyddet när sågen läggs bort på arbetsbänk eller golv. En oskyddad och roterande skiva förflyttar sågen bakåt och kan såga allt som är i vägen. Var medveten om den tid det tar för klingan att stanna efter att avtryckaren släppts.

Ytterligare säkerhetsinstruktioner för cirkelsågar

- Använd hörselskydd. Att utsättas för buller kan leda till hörselskador.
- Använd en skyddsmask. Exponering för dammpartiklar kan orsaka andningsproblem och eventuella skador.
- Använd inte klingor med större eller mindre diameter än rekommenderat. För korrekt klingklassificering se tekniska data. Använd endast klingor som specificeras i denna manual som uppfyller EN 847-1.
- Använd endast sågklingor som är markerade med en hastighet som är lika med eller högre än hastigheten som är markerad på verktyget.
- Undvik överhettning av klingans spetsar.
- Installera dammutslagningsuttaget på sågen innan användning.
- Använd aldrig slipande kapskivor.
- Använd inte vattenmatningstillätsatser.
- Använd klämmor eller stöd arbetsstycket på något annat praktiskt vis mot ett stabilt underlag. Att hålla arbetet för hand eller mot kroppen är instabilt och kan göra att du förlorar kontrollen.

Återstående risker

Följande risker följer med användning av sågar:

- Skador kan uppstå vid kontakt med rörliga delar.
- Även om alla relevanta säkerhetsföreskrifter följs och säkerhetsanordningar används kan vissa ytterligare risker inte undvikas. De är:
- Hörselnedsättning.
 - Risk för olyckor orsakade av blottade delar av den roterande sågklingan.
 - Risk för skador då klingan byts ut.
 - Risk att fingrar kläms när skydden öppnas.
 - Hälsöfara orsakade av inandning av damm som uppkommer vid sågning av trä, särskilt ek, bok och MDF.

Säkerhet för andra

- Detta verktyg ska inte användas av personer (inklusive barn) med nedsatt fysisk eller mental förmåga eller bristande erfarenhet och kunskap om de inte får vägledning och övervakas av en person som ansvarar för deras säkerhet.
- Barn ska hållas under uppsikt så att de inte leker med verktyget.

Vibrationer

De vibrationsvärden som anges i avsnitten Tekniska data och deklarationen om överensstämmelse har uppmätts i enlighet med en standardtestmetod föreskriven i EN62841 och kan användas för jämförelse med andra verktyg. De deklarerade vibrationsvärdena kan också användas för en preliminär bedömning av exponering.



Varning! Vibrationsvärdet under faktisk användning av elverktyget kan skilja sig från det deklarerade värdet, beroende på hur verktyget används. Vibrationsnivån kan överstiga den angivna nivån.

Vid bedömningen av vibrationsexponering för att fastställa de säkerhetsåtgärder som enligt 2002/44 / EG krävs för att skydda personer som regelbundet använder elverktyg i arbetet, bör man beakta de faktiska användningsförhållandena, hur verktyget används och förutom den tid det är aktiverat, också beakta den tid som verktyget är avstängt och går på tomgång.

Etiketter på verktyget

Följande varningssymboler finns på verktyget, tillsammans med datumkoden:



Varning! För att minska risken för personskada, måste användaren läsa bruksanvisningen.

Ytterligare säkerhetsinstruktioner för batterier och laddare

Batterier

- Försök aldrig öppna batteriet.
- Låt inte batterierna komma i kontakt med vatten.
- Förvara inte på platser där temperaturen kan bli högre än 40 °C.
- Ladda endast vid temperaturer mellan 10 °C och 40 °C.
- Ladda endast med hjälp av laddare som medföljer verktyget.
- Följ instruktionerna som anges i avsnittet "Miljö" när du kastar batterierna.

Försök inte ladda skadade batterier.



Laddare

- Laddaren får bara användas för att ladda batteriet i det verktyg som laddaren levererades med. Andra batterier kan spricka och orsaka personskador och andra skador.
- Försök aldrig att ladda ej uppladdningsbara batterier.
- Byt defekta sladdar omgående.
- Låt inte batterierna komma i kontakt med vatten.
- Öppna inte laddaren.
- Gör ingen åverkan på laddaren.



Adaptorn är endast avsedd för användning inomhus.

Elektrisk säkerhet



Eftersom den sladdlösa laddaren är dubbelisolerad behövs ingen jordledare. Kontrollera alltid att spänningen på nätet motsvarar den spänning som finns angiven på märkplåten.

- Om nätsladden är skadad måste den bytas ut av tillverkaren eller ett auktoriserat STANLEY FATMAX-servicecenter för att undvika fara.

Beskrivning (bild A)



VARNING: Modifiera aldrig elverktyget eller någon del av det. Skada eller personskada kan uppstå.

1. Strömbrytare
2. Låsknapp
3. Huvudhandtag
4. Extrahandtag
5. Sågfot
6. Sågklinga
7. Nedre klingskydd
8. Handtag, undre skydd
9. Fasinställningsspak
10. Geringsvinkelskala
11. Yttre klingklämbricka
12. Klingläsbult
13. Djupinställningsspak
14. Spindelåsknapp
15. Batteri
16. Batterilåsknapp
17. Insexnyckel
18. Dammutsugningsöppning



VARNING: Kapa ingen metall, betong, glas, sten eller plast med denna såg. En slö klinga kommer att orsaka en långsam och ineffektiv sågning och resultera i överbelastning av sågmotorn, överdriven sprickbildning och kan öka risken för rekylar.

- **ANVÄND INTE** några slipskivor.
- Använd endast de skärblad som rekommenderas för träkapning.



VARNING: Sågning i kådigt trä eller annat material kan orsaka att smått material samlas på sågklingan och dess tänder, vilket ökar risken för att klingan överhettas och kärvar under sågningen.

ANVÄND INTE under våta förhållanden eller i närheten av lättantändliga vätskor eller gaser.

LÅT INTE barn komma i kontakt med verktyget. Övervakning krävs när oerfarna användare använder detta verktyg.

ANVÄND INTE under våta förhållanden eller i närheten av lättantändliga vätskor eller gaser.

LÅT INTE barn komma i kontakt med verktyget. Övervakning krävs när oerfarna användare använder detta verktyg.

- **Små barn och fysiskt svaga personer.** Denna apparat är inte avsedd att användas av små barn eller fysiskt svaga personer utan övervakning.
- Denna produkt är inte avsedd att användas av personer (inklusive barn) med reducerad fysisk, sensorisk eller mental förmåga eller med begränsad erfarenhet eller kunskap såvida inte de är under uppsikt av en person som är ansvarig för deras säkerhet. Barn skall aldrig lämnas ensamma med denna produkt.

Montera och ta bort batteriet (fig.B)

- ◆ Sätt i batteriet (15) genom att placera det i linje med kontakten på verktyget. Skjut in batteriet på dess plats och tryck tills batteriet snäpper på plats.
- ◆ Ta ur batteriet genom att trycka på lösgöringsknapparna (16) samtidigt som du drar ut batteriet från dess plats.

Användning



VARNING: Låt verktyget arbeta i sin egen takt. Överbelasta det inte. Verktyget kan hållas med antingen höger eller vänster hand.

Ladda batteriet (fig. B)

Batteriet måste laddas innan det används för första gången och sedan varje gång som det inte ger tillräckligt hög effekt för arbeten som annars brukar gå bra. Batteriet kan bli varmt när det laddas. Det är normalt och innebär inte att något är fel.



VARNING: Ladda inte batteriet om temperaturen i luften är lägre än 10 °C eller högre än 40 °C. Den rekommenderade laddningstemperaturen är cirka 24 °C.

Notera: Laddaren laddar inte batteriet om celltemperaturen är lägre än ca 10 °C eller högre än 40 °C. Låt batteriet sitta kvar i laddaren. Laddaren sätter automatiskt igång att ladda batteriet när celltemperaturen har stigit eller sjunkit.

- ◆ Vid laddning av batteriet (15) sätter du det i laddaren (24). Batteriet kan bara placeras i laddaren på ett sätt. Tvinga inte. Se till att batteriet sitter ordentligt i laddaren.
- ◆ Anslut laddaren till vägguttaget. Laddningsindikatorn (25) börjar blinka.

När batteriet är laddat börjar laddningsindikatorn (25) lysa med ett fast sken. Laddaren och batteriet kan lämnas anslutna hur länge som helst. Indikatorn tänds eftersom laddaren då och då fyller på batteriets laddning.

- ◆ Urladdade batterier bör laddas inom 1 vecka. Om batterierna inte laddas när de är urladdade förkortas batterilivslängden avsevärt.

Lämna batteriet i laddaren

Batteriet kan sitta kvar i laddaren och laddaren kan vara ansluten till vägguttaget hur länge som helst när indikatorn lysar. Laddaren ser till att batteriet hålls fräscht och fulladdat.

Laddardiagnostik

Om laddaren upptäcker ett svagt eller skadat batteri börjar laddningsindikatorn (25) att blinka rött snabbt. Gör så här:

- ◆ Sätt i batteriet (15) igen.
- ◆ Om laddningsindikatorerna fortsätter att blinka rött snabbt kan du använda ett annat batteri för att kontrollera om laddningsprocessen fungerar som den ska.
- ◆ Om det utbytta batteriet kan laddas utan problem är det gamla batteriet defekt och bör lämnas till ett servicecenter för återvinning.
- ◆ Om problemet kvarstår med det nya batteriet bör du ta med laddaren till ett auktoriserat servicecenter.

NOTERA: Det kan ta upp till 30 minuter att avgöra om batteriet är defekt. Om batteriet är för varmt eller för kallt blinkar indikatorn omväxlande rött snabbt och långsamt med en blinkning i varje hastighet.

Montera och ta bort klingan (fig. C)

1. Dra tillbaka det nedre skyddet och montera sågbladet (6) och den yttre klingklämbrickan (11) som visas i figuren C.
2. Tryck ner spindellåsknappen (14) medan klingan vrids med klingnyckeln bolt (12) (17) tills klingans lås aktiveras och klingan slutar att rotera.

NOTERA: Insexnyckeln lagras på sågen som visas i figur A. Dra åt klingklämskruven ordentligt med hjälp av insexnyckeln.
NOTERA: Skruven är högergångad. För att lossa, vrid moturs. För att dra åt, vrid merurs.

NOTERA: Vidrör aldrig klinglåset när sågen används, eller aktivera för att försöka stoppa verktyget. Slå aldrig på verktyget när klinglåset är aktiverat. Detta kan leda till allvarliga skador på sågen.

Stöd för stora paneler/säkring av arbetsstycket (fig. D-G)

Stora arbetsstycken bör ha stöd för att minimera risken för att bladet kläms fast och att sågen kastas bakåt. Stora arbetsstycken tenderar att svikta under sin egen vikt, se figur D.

Skivorna måste därför stödjas på båda sidorna både i närheten av sågspåret och vid skivans kanter (figur E).



WARNING: För att minska risken för skada, håll aldrig i stycket som skärs med händerna eller lägg det över benet (figur F).

Fäst arbetsstycket på ett stabilt underlag, se figur G. Det är viktigt att arbetsstycket hålls fast ordentligt för att undvika kontakt med kroppen, inklämning av sågklingan eller förlorad kontroll över sågen.

Sågdjupinställning (fig. G-I)

Sågdjupet ska anpassas efter tjockleken på arbetsstycket.

1. Lossa på djupinställningsspaken (13) för att låsa upp sågskon 5).
2. Rikta in sågskon med önskat skärdjup som anges på skalmarkeringarna på djupbandet.
3. Ställ in djupjustering på sågen så att en tand (19) av klingan skjuter ut under arbetsstycket (20) som visas i figur I.
4. Dra åt djupinställningsspaken för att låsa sågskon på plats.

Fasvinkelinställning (fig. J)

Det här verktyget kan ställas in på fasvinklar mellan 0° och 56°.

1. Lossa på fasinställningsspaken (9) för att låsa upp sågskon 5).
2. Flytta sågskon till önskat läge motsvarande avfasningsvinkelmarkeringarna på avfasningsvinkelskalan (10).
3. Dra åt fasinställningsspaken för att låsa sågskon på plats.
4. Bekräfta den korrekta inställningen genom att kontrollera fasvinkeln genom att säga i en skräpträbit.

Skjustering för 90° sågningar (fig. K)

Skon (5) har ställts in av fabriken för att säkerställa att bladet är vinkelrätt mot skon vid 0° avfasningsinställning.

Om omjustering behövs:

1. Ställ in sågen på 0° fasvinkel.
2. Dra ut det nedre klingskyddet (7).
3. Lossa fasinställningsspaken (9). Placera en vinkelhake mot klingan (6) och skon (5) och justera 90°-inställningen.
4. Vrid kalibreringsskruven (22) så att skon stoppar i korrekt vinkel.
5. Bekräfta den korrekta inställningen genom att kontrollera rätvinkligheten genom att säga i en skräpträbit.

Strömbrytare (fig. A)

På sågen sitter ett låsreglage som används för att förhindra att verktyget startas oavsiktligt.

1. För att använda verktyget trycker du in på låsknappen (2) från båda sidor om sågen och håller den intryckt när du trycker in avtryckaren (1).
2. När du har tryckt på avtryckaren och verktyget körs släpper du låsknappen. Verktyget fortsätter arbeta så länge som strömbrytaren hålls intryckt.


3. För att stänga av verktyget, släpp strömbrytaren.


NOTERA: Det är inte möjligt att låsa avtryckaren i påslaget läge och den bör aldrig låsas i påslaget läge med några andra metoder.


Automatisk elektrisk broms


Din såg är utrustad med en elektrisk klingbroms som stoppar klingan inom 1-2 sekunder efter det att avtryckaren släpps. Detta är automatiskt och kräver ingen justering.

Nedre klingskydd

 **WARNING:** Risk för skärsår. Det nedre klingskyddet är en säkerhetsfunktion som reducerar risken för allvarliga personskador. Använd aldrig sågen om det nedre klingskyddet saknas, är skadat eller inte fungerar korrekt. Lita inte på att det nedre klingskyddet alltid skyddar dig. Din säkerhet beror på att alla varningar och försiktighetsåtgärder följs samt att sågen hanteras korrekt. Kontrollera att det nedre klingskyddet stänger ordentligt innan varje användning såsom anges i **Säkerhetsinstruktioner för alla sågar**. Om det nedre klingskyddet saknas eller inte fungerar korrekt, lämna sågen på service innan den används. För att garantera produktens säkerhet och pålitlighet skall alltid reparationer och inställningar göras av ett auktoriserat servicecenter eller annan kvalificerad serviceorganisation och att alltid identiska reservdelar används.

 **WARNING:** För att minimera risken för skador skall alltid skyddsglasögon användas. Karbid är ett hårt men sprött material. Främmande föremål i ett arbetsstycke såsom en ledning eller spik kan göra att spetsen spricker eller bryts av. Använd endast sågen när korrekt sågklingskydd är monterat. Montera klingan säkert med korrekt rotation innan användning och använd alltid en ren och vass klinga.


 **WARNING:** Det är viktigt att stödja arbetsstycket ordentligt för att förhindra skador och att hålla fast sågen för att förhindra att kontrollen förloras vilket kan orsaka personskador. Figur L illustrerar typiskt handstöd.

 **WARNING:** För att minska risken för allvarliga personskador, se till att du har läst och förstått bruksanvisningen och följ alla viktiga säkerhetsanvisningar och instruktioner innan du använder verktyget.

Bladval

Din cirkelsåg är designad för användning med blad med 190 mm diameter som har en borning på 30 mm. Bladen måste vara klassificerade för 6000 varv/min (eller högre). ANVÄND INTE några slipskivor.


Generell sågning

 **WARNING:** För att minska risken för skador, ta bort batteriet och följ alla monterings-, justerings- och installationsanvisningar.

Se till att det nedre skyddet fungerar. Välj korrekt klinga för det material som skall sågas.

- Mät och markera var du ska såga.
- Stöd och säkra arbetsstycket korrekt (se *Stöd för stora paneler/säkring av arbetsstycket*).
- Använd lämplig säkerhetsutrustning som krävs (se *Ytterligare säkerhetsinformation*).
- Säkra och underhåll arbetsområdet (se *Säkerhetsinstruktioner för alla sågar*).
- Med batteriet isatt, se till att brytaren sätter på och stänger av sågen.

Sågning


 **WARNING:** För att minska risken för allvarlig personskada, håll alltid verktyget med båda händerna.

- Håll kroppen placerad på någon sida av klingan men inte i linje med sågklingan. Rekyll kan göra att sågen hoppar bakåt. Se *Ytterligare säkerhetsanvisningar för alla sågar* och *Rekylorsaker och relaterade varningar*.
- Låt sågbladet löpa fritt några sekunder innan du använder sågen.
- Tryck bara försiktigt på sågen medan du sågar.
- Arbeta med skon tryckt mot arbetsstycket.

Råd för bästa resultat

- Eftersom det inte helt går att undvika flisbildning i skärlinjen på arbetsstyckets ovansida ska du såga på den sida där det är mest acceptabelt med flisbildning.
- När man vill minimera flisbildningen, t.ex. när man sågar i laminat, kan man klämma fast ett stycke plywood ovanpå arbetsstycket.

Instickssågning (fig. M)

 **WARNING:** Fäst aldrig upp klingskyddet i upplyft position. Flytta aldrig sågen bakåt vid instickssågning. Detta kan göra att enheten reser sig upp från arbetsytan vilket kan orsaka skador.

Instickssågning är det som görs när kanten på materialet inte trycker det nedre skyddet öppet, utan den roterande klingans underkant skär i mitten av materialet.

1. Justera skon (5) så att klingan sågar på önskat djup.
2. Luta sågen framåt och vila fronten på skon mot materialet som skall sågas.
3. Använd återdragningspaken, dra tillbaka det nedre klingskyddet till en uppåtriktad position. Sänk bakdelen på skon tills klingans tänder nästan vidrör såglinjen.
4. Släpp klingskyddet (dess kontakt med arbetsstycket kommer att hålla det på plats för att öppnas fritt när sågningen startar). Ta bort handen från skyddsspaken och ta ett fast tag i extrahandtaget (4), som visas i figur M.

Placera kroppen och armen så att du kan stå emot rekylerna om de uppstår.

- Se till att klingan är i kontakt med sågytan innan sågen startas.
- Starta motorn, låt sågen komma upp i full hastighet och sänk gradvis sågen tills skon vilar plant på materialet som skall sågas. Fortsätt längs såglinjen tills sågningen är klar.
- Släpp avtryckaren och låt klingan stoppa helt och hållet innan klingan dras tillbaka från materialet.
- Vid start av varje ny sågning, upprepa ovanstående.

KLYVNING

Ett anhåll medföljer ditt verktyg.

Klyvning är processen att såga breda skivor i smala remsor - sågning på längden i fiberriktningen. Handstyrning är mycket svårt för denna typ av sågning och användning av anhåll rekommenderas.

Dammugning



WARNING: Risk för inandning av damm. För att minska risken för personsador bär **ALLTID** godkänd dammask.



WARNING: Använd **ALLTID** en dammsugare som fyller gällande föreskrifter gällande dammsläpp vid sågning av trä. Dammsugarslangar hos de flesta vanliga dammsugare passar direkt i dammsugningsuttaget.

Ett dammsugsuttag (18) medföljer verktyget.

Dammugsningsporten låter dig ansluta verktyget till en extern dammsugare.

Underhåll

Ditt STANLEY FATMAX-verktyg har tillverkats för att fungera under lång tid med ett minimum av underhåll. Kontinuerlig tillfredsställande drift beror på ordentlig verktygsvård och regelbunden rengöring.

Din laddare kräver ingen annan service än regelbunden rengöring.



Varning! Ta ut batteriet ur verktyget innan du utför något underhåll på verktyget. Dra ur sladden till laddaren innan du rengör den.

- Rengör regelbundet verktygets luftintag och laddaren med en mjuk borste eller torr trasa.
- Rengör motorkåpan regelbundet med en fuktig trasa. Använd inga slipande eller lösningsmedelhaltiga rengöringsmedel.

Att skydda miljön



Separat insamling. Produkter och batterier som är markerade med denna symbol får inte kastas in de vanliga hushållssoporna.

Produkterna och batterierna innehåller material som kan återvinnas eller återanvändas, vilket sänker behovet av råmaterial.

Återvinn elektriska produkter och batterier enligt lokala bestämmelser. Närmare information finns tillgänglig på www.2helpU.com

Tekniska specifikationer

SFMCS550		
Ingångsspänning	V _{dc}	18
Varvtal utan belastning	min ⁻¹	5 000
Maximalt sågningsdjup	mm	65
Maximalt sågningsdjup vid 45°	mm	50
fåsågningsvinkel		
Klingdiameter	mm	190
Håldiameter	mm	30
Tandtjocklek	mm	1,8
Vikt	kg	3,2
L _{PA} (ljudtryck) 84,5 dB(A), osäkerhet (K) 3 dB(A)		
L _{WA} (ljudeffekt) 95,5 dB(A), osäkerhet (K) 3 dB(A)		
Vibration totalvärde (triaxvektor-summa) enligt EN 62841:		
Träsågning (a _{h,W}) 1,4 m/s ² , osäkerhet (K) 1,5 m/s ²		
Laddare SFMCB11/SFMCB12/SFMCB14		
Inspänning	V _{ac}	230
Utspanning	V _{dc}	18
Strömstyrka	A	1,25/2,0/4,0
Batteri SFMCB201/202/204/206		
Spänning	V _{dc}	18
Kapacitet	Ah	1,5/2,0/4,0/6,0
Typ		Li-jon

EG-försäkran om överensstämmelse

MASKINDIREKTIVET



SFMCS550 Cirkelsåg

STANLEY FATMAX garanterar att produkterna som beskrivs under "Tekniska data" uppfyller: EN62841-1:2015, EN62841-2-5:2014.

Dessa produkter överensstämmer även med direktiven 2006/42/EG, 2014/30/EU och 2011/65/EU. För ytterligare information, kontakta STANLEY FATMAX på följande adress eller se baksidan av manualen.

Undertecknad är ansvarig för sammanställningen av tekniska data och gör denna försäkran för
STANLEY FATMAX.



Ed Higgins

VD – "Motordrivna konsumentverktyg"

STANLEY FATMAX Europe, Egide Walschaertsstraat 14-18,
2800 Mechelen, Belgien
25/11/2019

Garanti

STANLEY FATMAX är övertygad om denna produkts kvalitet och erbjuder kunder 12 månaders garanti från och med inköpsdatumet. Denna garanti är ett tillägg till dina lagstadgade rättigheter och påverkar inte dessa på något sätt. Garantin är giltig områden som tillhör medlemsstaterna i Europeiska unionen och det europeiska frihandelsområdet. För yrkande under garantin måste yrkandet vara i enlighet med STANLEY FATMAX villkor och du kommer att behöva skicka in bevis på köpet till försäljaren eller en auktoriserad reparatör.

Villkoren för STANLEY FATMAX ettåriga garanti och var du hittar din närmaste auktoriserade reparatör kan erhållas på internet på www.2helpU.com, eller genom att kontakta ditt lokala STANLEY FATMAX kontor på adressen som angetts i denna manual.

Besök vår webbplats www.stanleytools.eu/3 för att registrera din nya STANLEY FATMAX produkt samt för att få information om nya produkter och specialerbjudande.

Tiltenkt bruk

Din STANLEY FATMAX SFCM550 sag er konstruert for saging av tre og treprodukter. Dette verktøyet er tiltenkt både fagarbeidere og private brukere.

Sikkerhetsinstruksjoner

Generelle sikkerhetsadvarsler for elektriske verktøy



Advarsel! Les alle sikkerhetsanvisninger, instruksjoner, illustrasjoner og spesifikasjoner som følger dette elektriske verktøyet. Manglende overholdelse av instruksjonene som er listet opp under kan resultere i elektrisk støt, brann og/eller alvorlig personskade.

Lagre alle advarsler og instruksjoner for fremtidig bruk.

Begrepet "elektroverktøy" i advarslene gjelder nettdrevet elektroverktøy (med ledning) eller batteridrevet elektroverktøy (uten ledning).

1. Sikkerhet på arbeidsområdet

a. Hold arbeidsområdet rent og godt opplyst.

Rotete eller mørke områder er en invitasjon til ulykker.

b. Ikke bruk verktøy i eksplosive omgivelser, slik som i nærheten av antennelige væsker, gasser eller støv. Elektriske verktøy skaper gnister som kan antenne støv eller gasser.

c. Hold barn og tilskuere borte mens du bruker elektriske verktøy. Distraksjoner kan føre til at du mister kontrollen.

2. Elektrisk sikkerhet

a. Støpselet til elektriske verktøy må passe til stikkkontakten. Aldri modifierer støpselet på noen måte.

Ikke bruk adaptere med jordede elektriske verktøy. Umodifiserte støpsler og passende stikkontakter vil redusere risikoen for støt.

b. Unngå kroppskontakt med jordete overflater slik som rør, radiatorer, komfyrer og kjøleskap. Det er økt risiko for elektrisk støt dersom kroppen din er jordet.

c. Ikke eksponer elektriske verktøy for regn eller våte forhold. Dersom det kommer vann inn i et elektrisk verktøy vil det øke risikoen for elektrisk sjokk.

d. Ikke bruk ledningen feil. Aldri bruk ledningen til å bære, trekke eller dra ut støpselet til det elektriske verktøyet. Hold ledningen borte fra varme, olje, skarpe kanter eller bevegelige deler. Skadede eller innviklede ledninger øker risikoen for elektrisk sjokk.

e. Når du bruker et elektrisk verktøy utendørs, bruk en skjøteledning som er egnet for utendørs bruk. Bruk av en skjøteledning beregnet for utendørs bruk reduserer risikoen for elektrisk støt.

f. Dersom bruk av et elektrisk verktøy på et fuktig sted er uunnødvendig, bruk en strømkilde med jordfeilbryter (RCD). Bruk av jordfeilbryter (RCD) reduserer risikoen for elektrisk sjokk.

3. Personlig sikkerhet

a. Hold deg våken, hold øye med det du gjør og bruk sunn fornuft når du bruker et elektrisk verktøy. Ikke bruk et elektrisk verktøy dersom du er trøtt eller er påvirket av medikamenter, narkotika eller alkohol. Ett øyeblikks uoppmerksomhet under bruk av elektriske verktøy kan føre til alvorlig personskade.

b. Bruk personlig verneutstyr. Bruk alltid vernebriller. Verneutstyr slik som støvmaske, skliskure vernesko, hjelm, eller hørselsvern brukt under passende forhold vil redusere personskader.

- c. **Unngå utilsiktet oppstart. Sikre at bryteren er i av-stillingen før du kobler til strømkilden og/eller batteripakken, plukker opp eller bærer verktøyet.** Å bære elektriske verktøy med fingeren på bryteren eller å sette inn støpselet mens elektriske verktøy har bryteren på øker faren for ulykker.
- d. **Fjern eventuelle justeringsnøkler før du slår på det elektriske verktøyet.** En nøkkel som er festet til en roterende del av det elektriske verktøyet kan føre til personskaade.
- e. **Ikke strekk deg for langt. Ha godt fotfeste og stå støtt hele tiden.** Dette fører til at du har bedre kontroll over det elektriske verktøyet ved uventede situasjoner.
- f. **Bruk egnet antrekk. Ikke ha på deg løstsittende klær eller smykker. Hold hår, antrekk og hansker borte fra bevegelige deler.** Løstsittende klær, smykker og langt hår kan bli fanget opp av bevegelige deler.
- g. **Hvis apparatet er utstyrt for tilkobling av støvutsugings- og -oppsamlingsinnretning, må du sørge for at disse er koblet til og ordentlig sikret.** Bruk av støvoppsamlere kan redusere støvrelaterte farer.
- h. **Ikke la kunnskap som du har fått fra hyppig bruk av verktøy la deg bli for selvsikker slik at du ignorerer verktøyets sikkerhetsprinsipper.** En tankeløs handling kan føre til alvorlig personskaade på brøkdelen av et sekund.
4. **Bruk og vedlikehold av elektriske verktøy**
- a. **Ikke bruk kraft på verktøyet. Bruk det elektriske verktøyet som situasjonen krever.**
Det riktige elektriske verktøyet vil gjøre jobben bedre og tryggere ved den hastigheten det ble konstruert for.
- b. **Ikke bruk verktøyet hvis bryteren ikke kan slå verktøyet av eller på.** Ethvert elektrisk verktøy som ikke kan kontrolleres med bryteren er farlig og må repareres.
- c. **Koble støpselet fra strømkilden og/eller ta av batteripakken fra det elektriske verktøyet, hvis det er avtagbart, før du foretar noen justeringer, endrer tilbehør eller lagrer elektriske verktøy.** Slike preventive sikkerhetsforanstaltninger reduserer risikoen for å starte det elektriske verktøyet ved et uhell.
- d. **Lagre elektriske verktøy som ikke er i bruk, utilgjengelig for barn og la ikke personer som ikke er kjent med det elektriske verktøyet eller disse instruksjonene bruke det.** Elektriske verktøy er farlige i hendene på utrenede brukere.
- e. **Hold verktøy og tilbehør ved like. Kontroller om bevegelige deler er feiljustert eller fastskjært, om deler er ødelagt eller andre forhold som kan påvirke driften av verktøyet.**
- Dersom det er skadet, få verktøyet reparert før neste bruk. Mange ulykker forårsakes av dårlig vedlikeholdte verktøy.
- f. **Hold skjæreverktøy skarpe og rene.** Godt vedlikeholdte skjæreverktøy med skarpe skjærekanter setter seg mindre sannsynlig fast og er lettere å kontrollere.
- g. **Bruk verktøyet, tilbehøret og bittene osv. i samsvar med disse instruksjonene og ta i betraktning arbeidsforholdene og det arbeidet som skal utføres.**
Bruk av det elektriske verktøyet for oppgaver som er forskjellige fra de som er tiltenkt kan føre til en farlig situasjon.
- h. **Hold håndtak og gripeflater tørre, rene og fri for fett olje og fett.** Glatte håndtak og gripeområder gir utrygg håndtering og manglende kontroll over verktøyet i uventede situasjoner.
5. **Bruk og stell av batteridrevne verktøy (kun aktuelt for batteridrevne verktøy)**
- a. **Skal kun lades opp ved hjelp av batteriladeren spesifisert av produsenten.** En lader som passer for en type batteripakke kan føre til risiko for brann dersom den brukes på en annen batteripakke.
- b. **Bruk elektroverktøy bare med spesifikt angitte batteripakker.** Bruk av andre batteripakker kan føre til risiko for personskaade og brann.
- c. **Når batteripakken ikke er i bruk, hold den unna metallgjenstander som binderser, mynter, nøkler, filer, skruer eller andre små metallgjenstander som kan skape en kobling fra en pol til den andre.** Kortslutning av batteripolene mot hverandre kan føre til brannskader eller brann.
- d. **Ved feilaktig bruk kan det komme væske ut av batteriet, unngå kontakt med den. Dersom du kommer i kontakt med den, skyll av med vann. Dersom du får væsken i øynene, søk legehjelp.** Væske som kommer ut av batteriet kan føre til irritasjon eller brannskader.
- e. **Ikke bruk en batteripakke eller verktøy som er skadet eller modifisert.** Skadede eller modifiserte batterier kan oppføre seg uforutsigbart og føre til brann, eksplosjon eller fare for personskaade.
- f. **Ikke utsett en batteripakke eller et verktøy for ild eller for høy temperatur.** Ild eller temperatur over 130 °C kan føre til en eksplosjon.
- g. **Følg alle anvisninger for lading og lad ikke batteripakken eller verktøyet ved temperaturer som avviker fra området spesifisert i bruksanvisningen.** Feilaktig lading eller lading ved temperaturer utenfor det angitte område kan skade batteriet og øker brannfaren.

6. Service

- A få det elektriske verktøyet ditt vedlikeholdt av en kvalifisert reparatør som kun bruker originale reservedeler.** Dette vil sikre at verktøyet sikkerhet blir ivaretatt.
- Utfør aldri vedlikehold på skadede batteripakker.** Vedlikehold av batteripakker skal kun utføres av produsenten eller autoriserte serviceverksteder.

Sikkerhetsinstruksjoner for alle sager

Skjæreprosedyrer

- △ FARE: Hold hendene unna skjæreområdet og bladet. Hold den andre hånden på hjelpehåndtaket eller motorhuset.** Med begge hender på sagen kan de ikke kuttes av bladet.
- Ikke strekk hånden under arbeidsstykket.** Beskyttelsen kan ikke beskytte deg fra bladet under arbeidsstykket.
- Juster kuttdybden til arbeidsstykkets tykkelse.** Mindre enn en hel tann på bladet skal være synlig under arbeidsstykket.
- Hold aldri arbeidsstykket i hendene eller over benet ditt ved bruk. Fest arbeidsstykket på et stabilt grunnlag.** Det er viktig at arbeidsstykket støttes ordentlig for å minimere risikoen for personskade, at bladet setter seg fast eller at du mister kontrollen.
- Hold det elektriske verktøyet kun i isolerte gripeoverflater når du utfører operasjoner hvor skjæreverktøyet kan komme i kontakt med skjulte ledninger.** Kontakt med en strømførende ledning kan føre til at eksponerte metalldele på elektroverktøyet blir strømførende, og kan gi brukeren støt.
- Ved kløving, bruk alltid en føring eller en rett styrekant.** Dette forbedrer kuttets nøyaktighet og reduserer muligheten for at bladet setter seg fast.
- Bruk alltid blad med korrekt størrelse og form (diamant kontra rund) på festehullet.** Blad som ikke passer til festemekanismen på sagen vil gå eksentrisk, som fører til at du mister kontrollen.
- Bruk aldri skadede eller uriktige bladpakninger eller bolt.** Bladpakningene og bolt er spesialtilpasset sagen, for optimal ytelse og driftssikkerhet.

Ekstra sikkerhetsinstruksjoner for alle sager

Årsaker til tilbakeslag og tilhørende advarsler

- Tilbakeslag er en plutselig reaksjon på et fastklemt eller feiljustert sagblad og forårsaker at en ukontrollert sag reiser seg opp og ut av arbeidsstykket mot operatøren;
- Når bladet er fastklemt ved at snittet lukker seg, blir bladet sittende fast og motorens reaksjon fører enheten raskt tilbake mot operatøren;

- Dersom bladet blir vridd eller feilinnrettet i kuttet kan tennene bak på bladet grave seg inn i treverkets overflate og forårsake at bladet kommer ut av snittet og hopper tilbake mot operatøren.

Tilbakeslag er resultatet av feil bruk av sagen og/eller feil driftsprosedyrer eller betingelser, og kan unngås ved å treffe skikkelige forholdsregler, som angitt under:

- Hold et fast grep med begge hender på sagen og ha armene i en stilling som kan motstå tilbakeslagskraften. Posisjoner kroppen til den ene eller andre siden av bladet, ikke på linje med bladet.** Tilbakeslag kan føre til at sagen hopper bakover, men tilbakeslagskraften kan kontrolleres av operatøren dersom ordentlige forholdsregler treffes.
- Når bladet setter seg fast eller når du avbryter saging av noen grunn, slipp bryteren og hold sagen stille i materialet inntil bladet stopper helt. Forsøk aldri å fjerne sagen fra arbeidsstykket eller å dra sagen bakover mens bladet er i bevegelse, tilbakeslag kan skje.** Undersøk og sørg for å fjerne årsakene til fastklemming av bladet.
- Når du starter en sag på nytt i arbeidsstykket, senterer du sagbladet i sagsnittet og kontrollerer at sagtennene ikke griper i materialet.** Hvis sagbladet er blokkert, kan det klatre eller slå tilbake fra arbeidsstykket når sagen startes igjen.
- Støtt opp store arbeidsstykker for å redusere risikoen for tilbakeslag og at bladet setter seg fast.** Store arbeidsstykker har en tendens til å henge ned under sin egen vekt. Støtter må plasseres under arbeidsstykket på begge sider, nær skjærelinjen og nær kanten av arbeidsstykket.
- Ikke bruk sløve eller skadede blader.** Uskarpe eller feilstilte blad gir et smalt sagspor som gir for høy friksjon, fastkjøring av bladet eller tilbakeslag.
- Spaker for stilling av bladdybde og skråstilling skal være tilskrudd og festet før du sager.** Dersom bladets stilling endres ved saging, kan det føre til fastkjøring eller tilbakeslag.
- Vær ekstra varsom når du sager inn i eksisterende vegger eller andre steder der du ikke ser.** Det utstikkende bladet kan kutte objekter som kan forårsake tilbakeslag.

Sikkerhetsinstruksjoner for sager med pendelbladbeskyttelse

Funksjon av nedre beskyttelse

- Kontroller at nedre beskyttelsen lukker riktig før hvert bruk. Ikke bruk sagen dersom den nedre beskyttelsen ikke beveger seg fritt og lukker seg øyeblikkelig.** Den nedre beskyttelsen må aldri klemmes eller festes i åpen stilling.

Hvis du mister sagen ved et uhell, kan den nedre beskyttelsen bli bøyd. Løft den nedre beskyttelsen med det innskyvbare håndtaket og påse at den beveger seg fritt og ikke rører bladet eller noen annen del, i alle kuttvinkler og dybder.

- b. Kontroller funksjon av fjæren til nedre beskyttelsen. Dersom beskyttelsen og fjæren ikke fungerer riktig må de på service før bruk.** Nedre beskyttelse kan fungere tregt på grunn av skadede deler, gummibelegg eller oppbygging av avfall.
- c. Den nedre beskyttelsen skal trekkes tilbake manuelt bare ved spesielle kutt som “dykkekutt” og “sammensetningskutt”.** Løft nedre beskyttelsen med det innskyvbare håndtak, og så fort bladet går inn i materialet må den nedre beskyttelsen slippes. For all annen saging skal den nedre beskyttelsen fungere automatisk.
- d. Påse alltid at den nedre beskyttelsen dekker bladet for du setter fra deg sagen på benken eller gulvet.** Et ubeskyttet, frirullende blad får sagen til å bevege seg bakover, og den kutter alt som måtte være i veien. Vær oppmerksom på tiden det tar bladet å stoppe etter at bryteren slippes.

Ytterligere sikkerhetsinstrukser for sirkelsager

- **Bruk hørselvern.** Å bli utsatt for støy kan forårsake hørselstap.
- **Bruk en støvmaske.** Å bli utsatt for støvpartikler kan forårsake pustevansker og mulig skade.
- **Ikke bruk blader med større eller mindre diameter enn anbefalt.** For opplysninger om riktig skjærekapasitet, se tekniske data. Bruk kun sagblader spesifisert i denne manualen, som er i samsvar med EN 847-1.
- **Vennligst bruk bare sagblad som er merket med hastighet lik eller høyere enn merket på verktøyet.**
- **Unngå overoppheting av sagbladduppene.**
- **Monter støvsugertilkobling på sagen før bruk.**
- **Bruk aldri slipe/kappeskiver.**
- **Ikke bruk tilbehør for vanntilførsel.**
- **Bruk tvinger eller annen praktisk måte å sikre og holde arbeidsstykket på et stabilt underlag.** Å holde arbeidsstykket i hendene eller mot kroppen er ustabil og kan føre til at du mister kontroll.

Restrisikoer

Følgende risikoer er alltid tilstede ved bruk av sager:

- Personskader som oppstår ved berøring av roterende deler.

Selv om relevante sikkerhetsbestemmelser blir fulgt og sikkerhetstiltakene blir gjennomført, er visse former for risiko likevel uunngåelig. Disse er:

- Hørselskader.
- Fare for ulykker fra utilekkede deler av det roterende sagbladet.

- Fare for skade ved bytting av bladet.
- Risiko for klemte fingre ved åpning av beskyttelsen.
- Helsefare ved innånding av støv fra saging av treverk, spesielt eik, bøk og MDF.

Sikkerhet for andre

- Det er ikke meningen at dette verktøyet skal brukes av personer (inkludert barn) med reduserte fysiske, sansemessige eller mentale evner, eller personer som mangler erfaring og kunnskap, med mindre de har fått oppløpning eller instruksjoner for bruken av verktøyet fra en person som er ansvarlig for deres sikkerhet.
- Barn må holdes under oppsyn, sørg for at de ikke leker med apparatet.

Vibrasjon

Vibrasjonsemisjonsverdien som er angitt under tekniske data og samsvarserklæring, er blitt målt i henhold til en standard testmetode som er angitt i EN62841, og kan brukes til å sammenligne et verktøy med et annet. Den oppgitte vibrasjonsemisjonsverdien kan også brukes til en foreløpig vurdering av eksponering.



Advarsel! De virkelige vibrasjonsverdiene under bruk av elektroverktøyet kan avvike fra de oppgitte verdiene avhengig av hvordan verktøyet brukes.

Vibrasjonsnivået kan øke over nivået som er oppgitt.

Under vurdering av vibrasjonseksponering for å bestemme sikkerhetstiltak som kreves i 2002/44/EF for å beskytte personer som bruker elektroverktøy regelmessig i arbeidet, skal det tas hensyn til de faktiske bruksforholdene og måten verktøyet blir brukt på. Dette gjelder alle deler av brukssyklusen – også de gangene verktøyet er slått av, når det går på tomgang, samt tiden utløseren er inne.

Etiketter på verktøyet

Følgende advarselssymboler vises på verktøyet sammen med datokoden:



Advarsel! Brukeren må lese håndboken for å redusere risikoen for skade.

Ytterligere sikkerhetsinstruksjoner for batterier og ladere

Batterier

- Forsøk aldri å åpne av noen årsak.
- Ikke utsett batteriene for vann.
- Skal ikke oppbevares på steder der temperaturen kan overskride 40 °C.
- Lad bare ved temperaturer mellom 10°C og 40°C.
- Bruk bare laderen som følger med apparatet.
- Følg instruksene som finnes i avsnittet “Miljø” når du skal kaste batterier.



Ikke førøk å lade opp skadede batterier.

Ladere

- Laderen skal bare brukes til å lade batteriet i apparatet som laderen kom sammen med. Andre batterier kan sprekke og føre til personskade og materiell skade.
- Prøv aldri å lade ikke-oppladbare batterier.
- Skift ut defekte ledninger umiddelbart.
- Ikke utsett batteriene for vann.
- Ikke åpne laderen.
- Ikke stikk noe ned i laderen.



Laderen er bare beregnet for bruk innendørs.

Elektrisk sikkerhet



Denne laderen er dobbeltisolert. Jording er derfor ikke nødvendig. Kontroller alltid at strømforsyningen samsvarer med spenningen på merkeskiltet.

- Hvis strømfledningen blir skadet, må den skiftes av produsenten eller et autorisert STANLEY FATMAX-servicesenter så man unngår fare.

Beskrivelse (figur A)



ADVARSEL: Modifiser aldri det elektriske verktøyet eller noen del av det. Det kan føre til materielle skader eller personskader.

1. På-/av-bryter
2. Låseknapp
3. Hovedhåndtak
4. Hjelpéhåndtak
5. Sko
6. Sagblad
7. Nedre bladbeskyttelse
8. Nedre beskyttelse løftespak
9. Justeringsspak for skråvinkel
10. Skråvinkelskala
11. Ytre bladfesteskive
12. Bladfestebolt
13. Dybdejusteringsspake
14. Spindellåseknapp
15. Batteri
16. Festeknapp for batteriet
17. Sekskantnøkkel
18. Støvsugertilkobling



ADVARSEL: Ikke sag metall, murverk, glass, fliser eller plat med denne sagen. Et sløvt blad vil føre til ineffektiv kapping, vil overbelaste sagmotoren, føre til mye splinter og kan øke faren for tilbakeslag.

- **IKKE** bruk slipeskiver.
- Bruk kun skjærebled som er designet for denne maskinen.



ADVARSEL: Kutting av treverk med mye harpiks eller andre materialer kan føre til at smeltet materiale samler seg opp på bladet og bladtennene, dette øker risikoen for at bladet blir overopphetet og bøyer seg mens du sager.

IKKE bruk når det er vått eller i nærheten av antennelige væsker eller gasser.

IKKE la barn komme i kontakt med verktøyet. Tilsyn er nødvendig når uerfarne brukere skal bruke dette verktøyet. **SKAL IKKE BRUKES** under våte forhold eller i nærheten av antennelige væsker eller gasser.

IKKE la barn komme i kontakt med verktøyet. Tilsyn er nødvendig når uerfarne brukere skal bruke dette verktøyet.

- **Små barn og uføre.** Dette apparatet er ikke tiltenkt bruk av små barn eller uføre uten oppsyn.
- Dette produktet er ikke ment for bruk av personer (inkludert barn) med reduserte fysiske, sensoriske eller mentale evner, eller mangel på erfaring og kunnskap, med mindre de får tilsyn av en person ansvarlig for deres sikkerhet. Barn skal aldri forlates alene med dette produktet.

Sette inn og ta ut batteriet (Figur B)

- ◆ Når du skal sette inn batteriet (15), holder du det overfor kontakten på verktøyet. Skyv batteriet inn i kontakten, og skyv til det klikker på plass.
- ◆ Når du skal ta ut batteriet, trykker du på utløserknappene (16) og trekker samtidig batteriet ut av kontakten.

Bruk



ADVARSEL: La verktøyet jobbe i sin egen hastighet. Ikke overbelast det. Dette verktøyet kan brukes med høyre eller venstre hånd.

Lading av batteriet (figur B)

Batteriet må lades før første bruk og hver gang det ikke lenger gir nok strøm til jobber som tidligere lett ble utført. Batteriet kan bli varmt under lading. Dette er normalt og innebærer ikke feil.



ADVARSEL: Ikke lad batteriet ved omgivelsestemperaturer under 10 °C eller over 40 °C. Anbefalt ladetemperatur er ca. 24 °C.

Merk: Laderen vil ikke lade en batteripakke hvis celledemperaturen er under ca. 10 °C eller over 40 °C. Batteripakken bør stå i laderen, og laderen begynner å lade automatisk når celledemperaturen blir høyere eller lavere.

- ◆ Når du skal lade batteriet (15), setter du det inn i laderen (24). Batteriet kan bare settes i laderen på én måte. Ikke bruk kraft. Pass på at batteriet sitter helt inne i laderen.
- ◆ Plugg i laderen og slå på ved å koble til nettstrøm. Ladeindikatoren (25) vil blinke. Ladingen er fullført når ladeindikatoren (25) lyser kontinuerlig.

Laderen og batteriet kan være koblet til uten tidsbegrensning. LED-lampen tennes når laderen av og til "fyller på" batteriladningen.

- ◆ Lad utladete batterier innen 1 uke. Batterienes levetid blir mye kortere hvis de oppbevares utladet.

La batteriet være i laderen

Laderen og batteripakken kan forbli tilkoblet med lysende lampe i ubegrenset tid. Laderen vil holde batteripakken klar og fulladet.

Laderdiagnose

Hvis laderen oppdager et svakt eller skadet batteri, blinker ladningsindikatoren (25) rødt med rask takt. Du går frem slik:

- ◆ Sett inn batteriet (15) igjen.
- ◆ Hvis ladningsindikatoren fortsetter å blinke rødt med rask takt, bruker du et annet batteri til å finne ut om ladningsprosessen fungerer riktig.
- ◆ Hvis det andre batteriet lades korrekt, er det opprinnelige batteriet defekt og bør leveres til et servicesenter for resirkulering.
- ◆ Hvis det nye batteriet gir samme indikasjon som det opprinnelige batteriet, bringer du laderen til et autorisert servicesenter.

NOTE: Det kan ta så mye som 30 minutter å avgjøre om batteriet er defekt. Hvis batteriet blir for varmt eller for kaldt, blinker LED-lampen rødt, vekselvis raskt og langsomt, ett blink ved hver hastighet med gjentakelse.

Sette på og ta av bladet (figur C)

1. Trekk tilbake nedre beskyttelse og monter sagbladet (6) og ytre bladfesteskive (11) som vist i figur C.
2. Trykk ned spindellåsen (14) mens du dreier bladfestebolten (12) med sekskantnøkkelen (17) som følger med inntil bladlåsen går i lås og bladet slutter å rotere.

NOTE: Sekskantnøkkelen er festet på sagen som vist i figur A. Stram bladets festebolt godt ved bruk av sekskantnøkkelen.

NOTE: Bolten er høyregjenget. For å løsne, drei mot klokken. For å stramme til, drei med klokken.

NOTE: Du må aldri aktivere spindellåsen mens sagen er i gang eller på noen måte prøve å stoppe verktøyet. Slå aldri verktøyet på mens bladlåsen er låst. Dette vil føre til alvorlig skade på sagen.

Støtt opp store plater/feste arbeidsstykket (figur D-G)

Støtt opp store plater for å gjøre risikoen for klemming av bladet og tilbakeslag minst mulig. Store arbeidsstykker har en tendens til å henge ned under sin egen vekt, som vist i figur D. Støtter må plasseres under arbeidsstykket på begge sider, nær skjærelinjen og nær kanten av arbeidsstykket (figur E).



ADVARSEL: For å redusere risikoen for personskader, hold aldri delen som sages med hendene og legg den aldri over benet (figur F).

Fest arbeidsstykket på et stabilt grunnlag som vist i figur G. Det er viktig at arbeidsstykket støttes ordentlig for å minimere risikoen for personskade, at bladet setter seg fast eller at du mister kontroll.

Kuttedybdejustering (figur G-I)

Skjæredybden skal stilles inn i samsvar med tykkelsen på arbeidsstykket.

1. Løsne håndtaket (13) for å løsne sagfoten (5).
2. Rett inn sagskoen med ønsket sagedybde som indikert på skalamarkeringen på dybdemerket.
3. Sett dybdejustereren på sagen slik at en tann (19) på bladet stikker ned under arbeidsstykket (20) som vist i figur I.
4. Stram dybdejusteringsspaken for å feste sagfoten.

Skråvinkel justering (figur J)

Dette verktøyet kan stilles inn med sagedivinkler mellom 0° og 56°.

1. Løsne vinkeljusteringsspaken (9) for å løsne sagfoten (5).
2. Sett sagskoen i ønsket posisjon tilsvarende skråvinkelmekingen på skråvinkelskalaen (10).
3. Stram vinkeljusteringsspaken for å feste sagfoten.
4. Bekreft nøyaktigheten av innstillingen ved å kontrollere retthet av et prøvecutt på en stykke metall (avkapp).

Skojustering for 90° kutt (figur K)

Skoen (5) er fra fabrikk for å sikre at bladet er vinkelrett på skoene ved innstilling av 0° skråvinkel.

Dersom det må justeres:

1. Juster sagen til 0° skråvinkel.
2. Trekk tilbake nedre bladbeskyttelse (7).
3. Løsne justeringsspaken for skråvinkel (9). Plasser en vinkel mot bladet (6) og skoene (5) for å stille inn på 90°.
4. Vri kalibreringsskruen (22) slik at skoene stopper på passende vinkel.
5. Bekreft nøyaktigheten av innstillingen ved å kontrollere retthet av et prøvecutt på en stykke materiale (avkapp).

På/av-bryter (figur A)

Verktøyet er utstyrt med en låsebryterfunksjon for å hindre utilsiktet bruk.

1. For å bruke verktøyet, trykk inn låseknappen (2) fra en av sidene på sagen og hold den inne mens du trykker på avtrekkeren (1).
2. Etter at du har trykket inn avtrekkeren og verktøyet går, slipp låseknappen. Verktøyet fortsetter å gå så lenge avtrekkeren er trykt inn.
3. For å slå av verktøyet, slipp avtrekkeren.

NOTE: Dette verktøyet har ingen mulighet for å låse verktøyet PÅ, og skal aldri låses i PÅ ved noen andre metoder.

Automatisk elektrisk bremse

Sagen er utstyrt med en elektrisk bladbremse som stopper sagbladet innen 1–2 sekunder etter du slipper avtrekkeren. Dette skjer automatisk og krever ikke justering.

Nedre bladbeskyttelse



ADVARSEL: Fare for kuttskader. Nedre bladbeskyttelse er en sikkerhetsfunksjon som reduserer faren for alvorlige personskader. Bruk aldri sagen dersom nedre bladbeskyttelse mangler, er skadet, feilmontert eller ikke fungerer ordentlig. Ikke stol på at nedre bladbeskyttelse beskytter deg under alle forhold. Din sikkerhet avhenger av at alle advarsler og forsiktighetsregler følges, samt av korrekt bruk av sagen. Kontroller at nedre bladbeskyttelse lukker ordentlig før hver bruk, som beskrevet i **Ekstra sikkerhetsregler for alle sager**. Dersom nedre bladbeskyttelse mangler eller ikke fungerer ordentlig, få service på sagen før bruk. For å sikre at produktet er trygt og pålitelig, bør reparasjoner, vedlikehold og justeringer foretas av et autorisert servicesenter eller en annen kvalifisert serviceorganisasjon, og det skal alltid brukes identiske reservedeler.



ADVARSEL: For å redusere faren for øyeskader, bruk alltid øyeskyttelse. Karbid er et hardt, men sprøtt materiale. Fremmedlegemer i arbeidsstykket som ståltråd eller spikere kan føre til at bits sprekker eller brekker. Bruk kun sagen når korrekt sagbladbeskyttelse er satt på. Monter bladet godt med korrekt rotasjonsretning før bruk, og bruk alltid rene, skarpe blad.



ADVARSEL: For å redusere faren for personskader, er det viktig å støtte arbeidet skikkelig og holde sagen godt fast for å unngå tap av kontroll som kan føre til personskader. Figur L illustrerer typisk støtte for hånden.



ADVARSEL: For å redusere faren for alvorlig personskade, skal du lese, forstå og følge alle sikkerhetsanvisninger og instruksjoner før bruk av verktøyet.

Valg av blad

Sirkelsagen er designet for bruk med 190 mm diameter blad som har et 30 mm diameter hull. Bladene må være godkjent for 6000 o/min (eller høyere). IKKE bruk slipeskiver.

Generelle kutt



ADVARSEL: For å redusere faren for personskader, ta av batteriet og monter, juster og sett opp i henhold til alle anvisninger.

Pass på at nedre beskyttelse fungerer. Velg korrekt blad tilpasset materialet som skal sages.

- Mål opp og merk arbeidsstykket som skal sages.

- Støtt opp og fest arbeidsstykket ordentlig (se **Støtte opp store plater/feste arbeidsstykket**).
- Bruk riktig og påkrevd sikkerhetsutstyr (se **Ekstra sikkerhetsinstruksjoner**).
- Sikre og vedlikehold arbeidsområde (se **Sikkerhetsinstruksjoner for alle sager**).
- Med batteriet innsatt, sjekk at bryteren kan slå verktøyet på og av.

Saging



ADVARSEL: For å redusere faren for alvorlig personskade, skal du alltid verktøyet med begge hender.

- Posisjoner kroppen til den ene eller andre siden av bladet, ikke på linje med bladet. Tilbakeslag kan få sagen til å hoppe bakover. Se **Ekstra sikkerhetsinstruksjoner for alle sager** og **Årsaker til tilbakeslag og tilhørende advarsler**.
- La bladet gå fritt i noen få sekunder før du starter sagingen.
- Bruk bare et lett press på verktøyet når du sager.
- Arbeid med sagfoten trykt mot arbeidsstykket.

Råd for optimal bruk

- Da det er umulig å unngå noe oppflising langs skjærelinjen på oversiden av arbeidsstykket, sager du på den siden der oppflisingen kan aksepteres.
- Når oppflisingen skal være minimal, for eksempel ved saging av laminater, fester du et stykke finer oppå arbeidsstykket.

Lommesaging (figur M)



ADVARSEL: Lås aldri bladbeskyttelsen i løftet posisjon. Beveg aldri sagen bakover ved lommesaging. Dette kan føre til at enheten løfter seg fra arbeidsflaten og kan føre til personskader.

En lomme sages når kanten av materialet ikke skyver nedre beskyttelse åpen, men nedre kant av roterende blad kutter inn i senter av materialet.

1. Juster sagfoten (5) slik at bladet sager til ønsket dybde.
2. Vipp sagen forover og hvil fronten av sagskoen på materialet som skal sages.
3. Bruk løftespaken på nedre beskyttelse og trekk tilbake nedre bladbeskyttelse til en løftet posisjon. Senk bakkant av sagskoen til sagtennene nesten berører saglinjen.
4. Løsne bladbeskyttelsen (beskyttelsens kontakt med arbeidsstykket vil holde den slik at den åpnes når du starter sagingen). Fjern hånden fra beskyttelsesspaken og grip kraftig i ekstrahåndtaket (4) som vist i figur M. Plasser kroppen din og armen for å kunne motstå tilbakeslag dersom det skjer.
5. Pass på at bladet ikke er i kontakt med flaten som sages før du starter sagingen.

- Start motoren, la sagen nå full hastighet og senk sagen gradvis til bunnplaten hviler flatt mot materialet som skal sages. Før sagen langs sagelinjen til sagingen er ferdig.
- Slipp avtrekkeren og la bladet stoppe helt før du trekker bladet ut av materialet.
- Gjenta som over for hvert nytt kutt.

Kløving

En kløvføring følger med verktøyet.

Kløving brukes for å sage opp brede plater – saging på langs av veden. Håndstyring er vanskeligere for denne typen saging og det anbefales å bruke en kløvføring.

Støvsug



ADVARSEL: Fare for å puste inn støv. For å redusere faren for personskader, bruk **ALLTID** en godkjent støvmaske.



ADVARSEL: Bruk **ALLTID** en støvsuger som er designet i samsvar med gjeldende direktiver for støvutslipp ved saging av treverk. Støvsugerslangene på de fleste vanlige støvsugere kan festes direkte på støvsugertilkoblingen.

En støvsugertilkobling port (18) leveres med verktøyet. Støvsugerporten lar deg koble verktøyet til en ekstern støvsuger.

Vedlikehold

Ditt STANLEY FATMAX verktøy er konstruert for å være i drift over lengre tid med et minimum av vedlikehold. For at den skal fungere tilfredsstillende over tid, er det viktig å sørge for riktig stell og regelmessig renhold.

Laderen krever intet annet vedlikehold enn regelmessig rengjøring.



Advarsel! Før du utfører vedlikehold på verktøyet, må du fjerne batteriet fra verktøyet. Fjern laderen fra stikkkontakten før du rengjør den.

- Rengjør ventilasjonsåpningene i verktøyet og laderen jevnlig med en myk børste eller tørr klut.
- Rengjør motorhuset regelmessig med en ren, fuktig klut. Ikke bruk slipende eller løsemiddelbaserte rengjøringsmidler.

Beskyttelse av miljøet



Separat avfallshåndtering. Produkter og batterier merket med dette symbolet skal ikke kastes i vanlig husholdningsavfall.

Produkter og batterier inneholder materialer som kan gjenbrukes eller gjenvinnes for å redusere behovet for nye råmaterialer. Vennligst lever elektrisk utstyr og batterier til gjenbruk i henhold til lokale retningslinjer. Mer informasjon finner du på www.2helpU.com

Tekniske data

SFMC550		
Inngangsspenning	V _{dc}	18
Ubelastet hastighet	o/min	5 000
Maks. skjæredybde	mm	65
Maks. skjæredybde ved 45° skråvinkel	mm	50
Bladdiameter	mm	190
Bladåpning	mm	30
Bredde bladspiss	mm	1,8
Vekt	kg	3,2
L _{pA} (lydtrykk) 84,5 dB(A), usikkerhet (K) 3 dB(A)		
L _{WA} (lydeffekt) 95,5 dB(A), usikkerhet (K) 3 dB(A)		
Totalverdier vibrasjon (triax vector sum) bestemt iht. EN 62841:		
Sage i treverk (a _{h, W}) ¹ 1,4 m/s ² , usikkerhet (K) 1,5 m/s ²		
Lader	SFMCB11/SFMCB12/SFMCB14	
Inngangsspenning	V _{ac}	230
Utgangsspenning	V _{dc}	18
Strøm	A	1,25/2,0/4,0
Batteri	SFMCB201/202/204/206	
Spenning	V _{dc}	18
Kapasitet	Ah	1,5/2,0/4,0/6,0
Type	Li-ion	

EU-samsvarserklæring MASKINERIDIREKTIV



SFMC550 Sirkelsag

STANLEY FATMAX erklærer at de produktene som er beskrevet under «tekniske data» er i samsvar med: EN62841-1-2015, EN62841-2-5-2014.

Disse produktene er også i samsvar med direktiv 2006/42/EF, 2014/30/EU og 2011/65/EU. For mer informasjon, vennligst kontakt STANLEY FATMAX på følgende adresser eller se baksiden av håndboken.

Undertegnede er ansvarlig for utarbeidelsen av den tekniske dokumentasjonen og gir denne erklæringen på vegne av STANLEY FATMAX.

Ed Higgins

Director – Consumer Power Tools
STANLEY FATMAX Europe, Egide Walschaertsstraat 14-18,
2800 Mechelen, Belgia
25/11/2019

Garanti

STANLEY FATMAX er trygg på kvaliteten av produktene sine og tilbyr en 12 måneders garanti fra kjøpsdata. Denne garantien er et tillegg og endrer ikke dine rettigheter i henhold til loven. Garantien er gyldig innen områdene tilhørende medlemslandene i den Europeiske Union (EU) og det Europeiske Frihandelsområdet (EFTA).

For å ta garantien i bruk må kravet være i samsvar med kjøpsbetingelsene fra STANLEY FATMAX og du må vise kjøpskvittering til forhandleren eller til et autorisert serviceverksted.

Betingelsene for STANLEY FATMAX' 1-års garanti og adressen til din nærmeste autoriserte serviceverksted kan du finne på internett under www.2helpU.com, eller ved å kontakte ditt lokale STANLEY FATMAX-kontor, adressen er angitt i denne bruksanvisningen.

Besøk våre nettsider på www.stanleytools.eu/3 for å registrere ditt nye STANLEY FATMAX-produkt og for å få informasjon om nye produkter og spesialtilbud.

Tilsigtet brug

Din STANLEY FATMAX SFMCS550-sav er designet til at save i træ og træprodukter. Dette værktøj er beregnet til erhvervsmæssige brugere og private ikke-erhvervsmæssige brugere.

Sikkerhedsinstruktioner

Generelle sikkerhedsadvarsler for elektrisk værktøj



Advarsel! Læs alle sikkerhedsadvarsler, instruktioner, illustrationer og specifikationer, der følger med dette elværktøj. Manglende overholdelse af alle nedenstående instruktioner kan medføre elektrisk stød, brand og/eller alvorlige kvæstelser.

Gem alle advarsler og instruktioner til fremtidig reference.

Termen "elværktøj" i advarslerne refererer til dit elektroniske (ledning) eller batteribetjente (trådløse) elværktøj.

1. Sikkerhed i arbejdsområdet

- Sørg for, at arbejdsområdet er rent og godt oplyst.** Rodede eller mørke områder giver anledning til ulykker.
- Brug ikke elværktøjer i områder med eksplosionsfare som f.eks. nær letantændelige væsker, gasser eller støv.** Elværktøjer danner gnister, der kan antænde støv eller dampe.
- Hold børn og omkringstående på afstand, når der anvendes elektrisk værktøj.** Distractioner kan medføre, at du mister kontrollen.

2. El-sikkerhed

- Stik på elektrisk værktøj skal passe til stikkontakten. Stikket må aldrig modificeres på nogen måde.**
Undlad at bruge adapterstik sammen med (jordforbundet) elektrisk værktøj. Umodificerede stik og dertil passende stikkontakter reducerer risikoen for elektrisk stød.
- Undgå kropskontakt med jordforbundne overflader, såsom rør, radiatorer, komfurer og køleskabe.** Der er øget risiko for elektrisk stød, hvis din krop er jordforbundet.
- Undlad at udsætte elektrisk værktøj for regn eller våde forhold.** Hvis der trænger vand ind i et elektrisk værktøj, øges risikoen for elektrisk stød.
- Undlad at udsætte ledningen for overlast. Brug aldrig ledningen til at bære, trække værktøjet eller trække det ud af stikkontakten. Hold ledningen borte fra varme, olie, skarpe kanter og bevægelige dele.** Beskadigede eller sammenfiltrede ledninger øger risikoen for elektrisk stød.
- Når elektrisk værktøj benyttes udendørs, skal der anvendes en forlængerledning, som er egnet til udendørs brug.** Brug af en ledning, der er egnet til udendørs brug, reducerer risikoen for elektrisk stød.
- Hvis det ikke kan undgås at betjene et elektrisk værktøj i et fugtigt område, benyt en strømforsyning (RCD), der er beskyttet af en fejlstrømsafbryder.** Ved at benytte en fejlstrømsafbryder reduceres risikoen for elektrisk stød.

3. Personssikkerhed

- Vær opmærksom, pas på hvad du foretager dig, og brug sund fornuft, når du benytter et elektrisk værktøj.**
Betjen ikke værktøjet, hvis du er træt, påvirket af narkotika, alkohol eller medicin. Et øjeblikks uopmærksomhed under anvendelse af et elektrisk værktøj kan forårsage alvorlig personskade.
- Anvend personligt beskyttelsesudstyr. Bær altid beskyttelsesbriller.** Sikkerhedsudstyr, såsom støvmaske, skridsikre sikkerhedssko, sikkerhedshjelm eller høreværn, brugt når omstændighederne foreskriver det, reducerer omfanget af personskader.
- Undgå tilsigtet start. Sørg for, at der er slukket for kontakten, inden værktøjet tilslutes en strømkilde og/eller batterienhed, samles op eller bæres.** Når elektrisk værktøj bæres med fingeren på kontakten eller tilslutes, når kontakten er tændt, giver det anledning til ulykker.

- d. **Fjern eventuelle justerings- eller skruenøgler, før det elektriske værktøj startes.** En skruenøgle eller anden nøgle, der bliver siddende på en roterende del af elektrisk værktøj, kan give anledning til personskade.
- e. **Undlad at række for langt. Hold hele tiden en god fodstilling og balance.** Dette udgør at du har bedre kontrol over det elektriske værktøj, når uventede situationer opstår.
- f. **Bær hensigtsmæssig påklædning. Bær ikke løst tøj eller smykker. Hold dit hår, tøj og handsker væk fra bevægelige dele.** Løstsiddende tøj, smykker eller langt hår kan blive fanget i bevægelige dele.
- g. **Hvis der anvendes støvsugnings- eller støvsamlingsudstyr, skal dette tilsluttes og anvendes korrekt.** Anvendelse af støvsamlingsudstyr kan begrænse farer forårsaget af støv.
- h. **Lad ikke kendskab fra hyppig brug af værktøjer gøre dig uforsigtig og få dig til at ignorere principperne for værktøjsikkerhed.** En skødesløs handling kan forårsage alvorlig skade i en brøkdal af et sekund.
4. **Brug og pleje af elektrisk værktøj**
- a. **Undlad at bruge magt over for det elektriske værktøj. Brug det værktøj, der er bedst egnet til det arbejde, der skal udføres.**
Værktøjet vil klare opgaven bedre og mere sikkert med den ydelse, som det er beregnet til.
- b. **Undlad at benytte værktøjet, hvis kontakten ikke tænder og slukker for det.** Alt elektrisk værktøj, der ikke kan kontrolleres med kontakten, er farligt og skal repareres.
- c. **Træk stikket ud af stikkontakten og/eller fjern batteripakken, hvis aftagelig fra det elektriske værktøj, før det elektriske værktøj justeres, dets tilbehør udskiftes, eller det stilles til opbevaring.** Sådanne forebyggende sikkerhedsforanstaltninger mindsker risikoen for, at værktøjet startes utilsigtet.
- d. **Opbevar elektrisk værktøj uden for rækkevidde af børn, og tillad ikke personer, som ikke er bekendt med dette elektriske værktøj eller disse instruktioner, at betjene værktøjet.** El-værktøj er farligt i hænderne på personer, som ikke er instrueret i brugen deraf.
- e. **Elværktøj og tilbehør skal vedligeholdes. Kontroller, om bevægelige dele er skæve og ikke sidder fast, og om delene er brækket eller beskadiget, så elværktøjets funktion påvirkes. Hvis det elektriske værktøj er beskadiget, skal det repareres før brug.** Mange ulykker er forårsaget af dårligt vedligeholdt værktøj.
- f. **Hold skæreværktøjer skarpe og rene.** Ordentligt vedligeholdt skæreværktøj med skarpe skærekanter har mindre tilbøjelighed til at binde og er lettere at styre.
- g. **Brug elværktøjet, tilbehøret, indsatsværktøj osv. i overensstemmelse med disse instruktioner under hensyntagen til arbejdsforholdene og arbejdet, der skal udføres med værktøjet.**
Brug af elektrisk værktøj til andre opgaver end dem, det er beregnet til, kan resultere i en farlig situation.
- h. **Hold håndtag og gribeblader tørre, rene og fri for olie og fedt.** Glatte håndtag og gribeblader giver ikke mulighed for sikker håndtering og styring af værktøjet i uventede situationer.
5. **Brug og pleje af batteriværktøj (bruges kun til batteriværktøjer)**
- a. **Genoplad kun værktøjet ved brug af den oplader, der er angivet af producenten.** En oplader, der passer til en type batteripakke, kan udgøre en risiko for brand, når den bruges til en anden type.
- b. **Brug kun elværktøj sammen med batteripakker, der er specifikt beregnet hertil.** Brugen af andre batteripakker kan medføre personskade og brand.
- c. **Når batteripakken ikke er i brug, hold den på afstand af andre metalgenstande som fx papirclips, mønter, nøgler, søm, skruer eller andre små metalgenstande, som kan frembringe en kortslutning fra en pol til en anden.** Kortslutning af batteriet kan forårsage forbrændinger eller brand.
- d. **Under grove forhold kan væske sive ud fra batteriet; undgå kontakt. Hvis der opstår kontakt ved et uheld, skyl med vand. Hvis væske kommer ind i øjnene, søg omgående lægehjælp.** Væske, der siver ud fra batteriet, kan fremkalde irritationer eller forbrændinger.
- e. **Anvend ikke en batteripakke eller et værktøj, der er beskadiget eller ændret.** Beskadigede eller ændrede batterier kan udvise uforudsigelig adfærd og resultere i brand, eksplosion eller risiko for skader.
- f. **Udsæt ikke en batteripakke eller et værktøj for ild eller meget varme temperaturer.** Udsættelse for ild eller temperaturer over 130 °C kan medføre en eksplosion.
- g. **Følg alle opladningsinstruktionerne og oplad ikke batteripakken eller værktøjet uden for det temperaturområde, der er anført i instruktionerne.** Forkert opladning eller opladning ved temperaturer uden for det specificerede område kan beskadige batteriet og øge risikoen for brand.

6. Service

- a. Elektrisk værktøj skal serviceres af en kvalificeret servicetekniker, som udelukkende benytter identiske reservedele. Derved sikres det, at værktøjets driftssikkerhed opretholdes.
- b. Udfør aldrig service på beskadigede batteripakker. Service på batteripakker bør kun udføres af producenten eller autoriserede serviceudbydere.

Sikkerhedsinstruktioner for alle save

Skæreprocedurer

- a. **△ FARE: Hold hænderne væk fra skæreområdet og klingens. Hold din anden hånd på ekstrahåndtaget eller på motorhuset.** Hvis begge hænder holder på saven, kan de ikke blive skåret af klingens.
 - b. Ræk ikke ind under arbejdsemnet. Beskyttelsesskærmen kan ikke beskytte dig imod klingens under arbejdsemnet.
 - c. Justér skæredybden til tykkelsen på arbejdsemnet. Mindre end én hel tand på klingens må være synligt under materialet.
 - d. Hold aldrig det arbejdsemne, der skal skæres i dine hænder eller på tværs af din ben under skæring. Fastgør arbejdsemnet til et stabilt underlag. Det er vigtigt at understøtte arbejdsemnet ordentligt for at minimere, at klingens binder eller tab af kontrol og personskaade.
 - e. Hold kun fast i det elektriske værktøj på de isolerede håndtagsflader, når der skal saves i emner, hvor skæreværktøjet kan berøre skjulte ledninger. Ved kontakt med en strømførende ledning bliver elværktøjets blotlagte metaldele også strømførende, så brugeren får stød.
 - f. Brug et land eller en styreskinne når der saves på langs. Dette forbedrer skærenøjagtigheden og reducerer risikoen for, at klingens binder.
 - g. Brug altid klinger med den korrekte størrelse og form (diamant kontra rund) spændehuller. Klinger, som ikke passer til det monterede hardware på saven, vil køre skævt og medføre tab af kontrol.
 - h. Brug aldrig beskadigede eller ukorrekte klingspændeskiver eller bolte. Klingspændeskiverne og boltene er blevet specielt designet til din sav til optimal ydeevne og driftssikkerhed.

Ekstra sikkerhedsinstruktioner for alle save

Årsager til tilbageslag og relaterede advarsler

- Tilbageslag er en omgående reaktion på en savklinge, der er blokeret, fastklemt eller sidder skævt, og medfører en ukontrolleret sav, som kører ud og ind af arbejdsemnet imod operatøren;
- Når klingens er blokeret eller fastklemt, når skæringen lukker sammen, standser klingens, og motorreaktionen driver hurtigt enheden tilbage imod operatøren;
- Hvis klingens bliver forvredet eller skævvredet i savsnittet, kan tænderne på det bagerste hjørne af klingens grave ind i træets overflade og medføre, at klingens arbejder sig op af snittet og springer tilbage imod operatøren.

Et tilbageslag opstår som følge af forkert brug eller ved misbrug af saven. Det kan undgås ved at følge nedenstående forholdsregler:

- a. Hold godt fast i saven med begge hænder, og anbring armene, så de kan holde saven i tilfælde af et tilbageslag. Anbring din krop på den ene side af klingens, men ikke på linje med klingens. Tilbageslag kan få saven til at springe baglæns, men tilbageslagskræfterne kan styres af operatøren, hvis der tages korrekte forholdsregler.
- b. Slip startknappen, og hold saven stille i materialet, indtil klingens er helt stoppet, hvis klingens sætter sig fast, eller der opstår nogen form for uregelmæssighed under arbejdet. Forsøg aldrig at fjerne saven fra arbejdet eller at trække saven tilbage, mens klingens er i bevægelse, da der ellers kan forekomme et tilbageslag. Find ud af, hvorfor hjulet har sat sig fast, og træf passende forholdsregler, så det ikke kan ske igen.
- c. Når en sav genstartes i et arbejdsemne, centrér savklingens i snittet, således at savtænderne ikke sidder fast i materialet. Hvis en savklinge binder, kan den arbejde sig ud af arbejdsemnet eller forårsage tilbageslag, når saven genstartes.
- d. Understøt lange paneler for at minimere risikoen for, at klingens sidder fast og for tilbageslag. Store paneler har en tendens til at synke under deres egen vægt. Der skal placeres understøtninger under panelet på begge sider, tæt ved skærelinjen og tæt ved panelets hjørne.
- e. Brug ikke sløve eller beskadigede klinger. Uskarpe klinger eller klinger, der ikke er sat rigtigt fast, giver en smal skærerille, som medfører friktion og bevirker, at klingens kan sætte sig fast, og at der kan opstå tilbageslag.

- f. **Klingedybde og smigskårne regulerende låseudløbere skal være strammet og sikret, før der foretages et snit.** Hvis klingens forskubber sig under arbejdet, kan den sætte sig fast, eller der kan opstå et tilbageslag.
- g. **Vær især forsigtig, hvis der saves i eksisterende vægge eller andre steder, hvor du ikke kan se, hvad du skærer i.** Klingens, der skal dykke ned, kan skære genstande, som kan medføre tilbageslag.

Sikkerhedsinstruktioner for save med en pendulklinge beskyttelsesskærm

Funktion af nederste skærm

- a. **Kontrollér at den nederste klinges beskyttelsesskærm er ordentligt lukket før hver anvendelse.** Arbejd ikke med saven, hvis den nederste beskyttelsesskærm ikke kan bevæges frit og øjeblikkeligt kan omslutte klingens åbne position. Hvis saven ved et uheld tabes, kan den nederste skjold blive bøjet. Hæv den nederste beskyttelsesskærm med tilbagetrækningshåndtaget og sørg for, at den kan bevæges frit og ikke rører ved klingens eller andre dele, i alle hjørner og dybder af snittet.
- b. **Kontroller, at den nederste skærms fjeder fungerer.** Hvis beskyttelsesskærmen og fjederen ikke virker korrekt, skal de serviceres før brug. Den nederste beskyttelsesskærm kan virke træg på grund af ødelagte dele, klæbrige efterladenskaber eller opbygning af efterladenskaber.
- c. **Det nederste skjold må kun trækkes ud manuelt i forbindelse med særlige snit, f.eks. "indsnit" og "kombinerede snit".** Hæv den nederste beskyttelsesskærm med tilbagetrækningshåndtaget, og lige så snart klingens skærer ind i materialet, skal den nederste beskyttelsesskærm udløses. Ved al anden savning bør den nederste beskyttelsesskærm køre automatisk.
- d. **Kontrollér altid, at den laveste beskyttelsesskærm dækker klingens, før saven anbringes på bænken eller gulvet.** En ubeskyttet klinge under friløb vil få saven til at gå tilbage og skære alt, hvad den støder på i sin bane. Vær opmærksom på den tid, det tager for klingens at stoppe, efter der er slukket for kontakten.

Ekstra sikkerhedsinstruktioner for rundsave

- **Bær høreværn.** Udsættelse for støj kan medføre høretab.
- **Bær en støvmaske.** Udsættelse for støvpartikler kan medføre åndedrætsbesvær og mulige skader.

- **Anvend ikke klinger med længere eller mindre diameter end anbefalet.** For korrekt vurdering af klinger, se de tekniske data. Brug kun de klinger, der er angivet i denne manual, der opfylder EN 847-1.
- **Brug kun savklinger, der er mærket med en hastighed lig med eller højere end hastigheden angivet på værktøjet.**
- **Undgå at overophede savklingens spids.**
- **Installer støvudsugningsåbningen i saven inden brug.**
- **Brug aldrig slibeskæringshjul.**
- **Anvend ikke vandfødningstilbehør.**
- **Brug klemmer eller en anden praktisk måde på at sikre og understøtte arbejdsområdet til et stabilt underlag.** Hvis du holder fast i arbejdsområdet med din hånd eller krop, vil det være ustabil, og det kan medføre, at du mister kontrollen over det.

Restrisici

De følgende risici er uløseligt forbundet med brugen af save:

- Skader som følge af berøring af roterende dele.
- Selv ved overholdelse af relevante sikkerhedsforskrifter og anvendelse af sikkerhedsudstyr kan visse restrisici ikke undgås. Disse omfatter:
- Hørenedsættelse.
 - Risiko for ulykker på grund af udekkede dele ved den roterende savklinge.
 - Risiko for skade ved udskiftning af klingens.
 - Risiko for at klemme fingre ved åbning af beskyttelsesskærme.
 - Sundhedsfare på grund af indånding af støv, der udvikles ved savning i træ, specielt eg, bøg og MDF.

Andres sikkerhed

- Dette værktøj må ikke bruges af personer (herunder børn) med nedsatte fysiske, sensoriske eller mentale evner eller manglende erfaring og viden, medmindre det sker under overvågning, eller der gives instruktion i brugen af værktøjet af en person, der er ansvarlig for deres sikkerhed.
- Børn skal holdes under opsyn, så det sikres, at de ikke leger med værktøjet.

Vibration

De angivne værdier for udsendelse af vibration anført under de tekniske data og overensstemmelseserklæringen er målt i henhold til standardtestmetoden i EN62841 og kan bruges til at sammenligne ét værktøj med et andet. Den deklarerede vibrationsemissionsværdi kan også anvendes i en foreløbig vurdering af eksponeringen.



Advarsel! Vibrationsemissionsværdien kan under faktisk brug af elværktøjet afvige fra den angivne værdi afhængigt af de måder, hvorpå værktøjet anvendes. Vibrationsniveauet kan stige til over det angivne niveau.

Ved vurdering af vibrationseksponeringen til at fastlægge de sikkerhedsforanstaltninger, der kræves af 2002/44/EC for at beskytte personer der regelmæssigt benytter elværktøj på arbejde, bør en vurdering af vibrationseksponeringen overvejes, de faktiske anvendelsesbetingelser og den måde, hvorpå værktøjet anvendes, herunder under hensyntagen til alle dele af drifts cyklussen som f.eks. de tidspunkter, hvor værktøjet er slukket, og når det kører i tomgang, udover udløsnings tiden.

Mærkatet på værktøjet

Værktøjet er forsynet med følgende advarselssymboler samt datokoden:



Advarsel! Brugeren skal læse brugervejledningen for at reducere risikoen for kvæstelser.

Yderligere sikkerhedsvejledninger for batterier og ladere

Batterier

- Forsøg aldrig at åbne den af en eller anden grund.
- Udsæt ikke batteriet for vand.
- Opbevar ikke på steder, hvor temperaturen kan overstige 40 °C.
- Oplad kun ved omgivelsestemperaturer på mellem 10 °C og 40 °C.
- Oplad kun ved hjælp af den medfølgende lader.
- Følg ved bortskaffelse af batterier vejledningen i afsnittet "Miljøbeskyttelse".



Forsøg ikke at oplade beskadigede batterier.

Opladere

- Brug kun din oplader til at oplade batteriet i det værktøj, som den blev leveret sammen med. Andre batterier kan eksplodere og forårsage personskade og materiel skade.
- Forsøg aldrig at oplade ikke-genopladelige batterier.
- Udskift straks defekte ledninger.
- Udsæt ikke laderen for vand.
- Laderen må ikke åbnes.
- Undersøg ikke laderen.



Laderen er kun beregnet til indendørs brug.

EI-sikkerhed



Laderen er dobbelt isoleret. Derfor er jordledning ikke nødvendig. Kontrollér altid, at strømforsyningen svarer til spændingen på mærkepladen.

- Hvis netledningen beskadiges, skal den udskiftes af producenten eller et autoriseret STANLEY FATMAX-værksted, så farlige situationer undgås.

Beskrivelse (fig. A)



ADVARSEL: Modificér aldrig elektrisk værktøj eller dele på det. Det kan medføre materielle skader eller kvæstelser.

1. Tænd/sluk-kontakt
2. Låseknop
3. Hovedhåndtag
4. Sekundært håndtag
5. Sko
6. Savklinge
7. Beskyttelsesskærm til klinge nederst
8. Nederste beskyttelsesskærms tilbagetrækningsgreb
9. Justeringsgreb til smigsnit
10. Smigsnitvinkelskala
11. Ydre klingeklampeskive
12. Klingeholdebolt
13. Dybdejusteringsgreb
14. Spindellåseknop
15. Batteri
16. Batteriudløserknop
17. Sekskantnøgle
18. Støvsugningsåbning



ADVARSEL: Undlad at skære metaller, murværk, glas, flise eller plast med denne sav. En sløv klinge kan medføre langsom, ineffektiv savning med overbelastning af savmotoren, alt for mange splinter og kan øge risikoen for tilbageslag.

- Anvend den **IKKE** på sliberuller.
- Brug udelukkende klinger, der er designet til træskæring.



ADVARSEL: Skæring i safrigt træ og andre materialer kan forårsage, at smeltede stoffer akkumuleres på klingspidserne og selve savklingen, hvilket øger risikoen for, at klingens splinter bliver overophedet og binder under skæring.

Må **IKKE** anvendes under våde forhold eller i nærheden af brændbare væsker eller gasser.

LAD IKKE børn komme i kontakt med værktøjet. Uerfarne brugere må ikke anvende dette værktøj uden opsyn.

Må **IKKE** anvendes under våde forhold eller i nærheden af brændbare væsker eller gasser.

LAD IKKE børn komme i kontakt med værktøjet. Uerfarne brugere må ikke anvende dette værktøj uden opsyn.

- **Små børn og personer med fysisk eller psykisk funktionsnedsættelse.** Dette værktøj er ikke beregnet til at blive brugt af små børn og personer med fysisk eller psykisk funktionsnedsættelse uden opsyn.

- Dette produkt er ikke beregnet til anvendelse af personer (inklusive børn) med fysisk, sensorisk eller psykisk funktionsnedsættelse; mangel på erfaringer, viden eller færdigheder, medmindre de er under opsyn af en person, der er ansvarlig for deres sikkerhed. Børn må aldrig efterlades alene med dette produkt.

Montering og afmontering af batteriet (fig. B)

- ◆ Anbring batteriet (15) ud for værktøjets fatning, når batteriet skal monteres. Lad batteriet glide ind i fatningen, og skub, indtil batteriet går på plads.
- ◆ Tryk på udløserknapperne (16), og træk samtidigt batteriet ud af fatningen for at tage batteriet ud.

Brug



ADVARSEL: Lad værktøjet arbejde i sit eget tempo. Overbelast det ikke. Dette værktøj kan anvendes både med venstre eller højre hånd.

Opladning af batteriet (fig. B)

Batteriet skal oplades inden ibrugtagningen, og når det ikke leverer strøm nok til opgaver, der tidligere kunne udføres ubesværet. Batteriet kan blive varmt under opladningen. Det er normalt og ikke tegn på problemer.



ADVARSEL: Oplad ikke batteriet ved omgivende temperaturer på under 10 °C eller over 40 °C. Den anbefalede opladningstemperatur er ca. 24 °C.

Bemærk: Laderen kan ikke oplade et batteri, hvis celledtemperaturen er under ca. 10 °C eller over 40 °C. Lad batteriet stå i laderen. Laderen begynder automatisk at lade, når celledtemperaturen er varm eller kold nok.

- ◆ Sæt batteriet (15) i opladeren (24) for at lade det op. Batteriet passer kun i opladeren på én måde. Tving dem ikke.
- ◆ Tilslut laderen, og tænd på stikkontakten.

Ladeindikatoren (25) begynder at blinke.

Ladningen er afsluttet, når ladeindikatoren (25) begynder at lyse konstant. Laderen og batteriet kan være tilsluttet i længere perioder. LED'en tændes, når laderen en gang imellem "efterfylder" batteriet.

- ◆ Afladede batterier bør oplades inden for 1 uge. Batteriets levetid reduceres kraftigt, hvis batteriet opbevares i afladet tilstand.

Lad batteriet blive siddende i laderen

Du kan lade batteripakken sidde i laderen med tændt lysdiode, så længe det ønskes. Laderen holder batteripakken klar og fuldt opladet.

Fejlfinding ved laderen

Ladeindikatoren (25) blinker hurtigt rødt, hvis laderen registrerer et svagt eller beskadiget batteri. Fortsæt som følger:

- ◆ Sæt batteriet (15) i igen.
- ◆ Hvis ladeindikatorerne fortsætter med at blinke hurtigt rødt, skal du bruge et andet batteri til at kontrollere, om opladningen sker korrekt.
- ◆ Hvis det andet batteri lades korrekt, er det oprindelige batteri defekt og skal indleveres til genbrug på et servicecenter.
- ◆ Hvis det andet batteri giver samme fejlvisning som det oprindelige, skal laderen testes på et autoriseret servicecenter.

BEMÆRK: Det kan tage op til 30 minutter at konstatere, at batteriet er defekt. Hvis batteriet er for varmt eller koldt, blinker lysdioden rødt skiftevis hurtigt og langsomt med et blink ved hver frekvens, hvorefter sekvensen gentages.

På- og afmontering af klingen (fig. C)

1. Træk den nederste skærm tilbage og monter savklingen (6) og den ydre klingeklampekive (11) som vist i figur C.
2. Tryk på spindellåseknapen (14), mens du drejer klingeholdebolten (12) med den medfølgende sekskantnøgle (17), indtil spindellåsen falder i hak, og klingen stopper med at dreje rundt.

BEMÆRK: Sekskantnøglen er opbevaret på saven, som vist i figur A.

Spænd klingeholdebolten godt fast med sekskantnøglen.

BEMÆRK: Bolten har et højre gevind. Drej mod uret for at løsne den. Drej med uret for at spænde den.

BEMÆRK: Tag aldrig fat i klingelåsen, mens saven kører, eller for at stoppe værktøjet. Tænd aldrig for værktøjet, når klingelåsen har forbindelse. Det ødelægger saven.

Understøttelse af lange paneler/fastgørelse af arbejdsemne (fig. D-G)

Understøt større plader for at minimere risikoen for, at klingens klemmes fast, og der opstår et tilbageslag. Store paneler har en tendens til at synke under deres egen vægt, som vist i figur D.

Der skal placeres understøtninger under panelet på begge sider, tæt ved skærelinjen og tæt ved panelets hjørne (figur E).



ADVARSEL: For at reducere risikoen for personskade må du aldrig holde emnet, der skæres, med dine hænder eller lægge det over dit ben (figur F).

Fastgør arbejdsemnet til et stabilt underlag, som vist i figur G. Det er vigtigt at understøtte arbejdsemnet ordentligt for at minimere, at klingens binder eller tab af kontrol og personskade.

Skæredybdejustering (fig. G-I)

Skæredybden skal indstilles i overensstemmelse med materialets tykkelse.

1. Løsn dybdejusteringsgrebet (13) for at frigøre savskoens (5).

2. Flugt savskoen med den ønskede skæredybde, der er angivet på skalamarkeringerne på dybdestoppen.
3. Indstil dybdejusteringen af saven således, at én tand (19) af klingens stikker ud under arbejdsemnet (20), som vist i figur I.
4. Spænd dybdejusteringsgrebet fast for at holde savskoen på plads.

Justering af smignitvinkel (fig. J)

Dette værktøj kan indstilles til en skrå vinkel på mellem 0° og 56°.

1. Løsn justeringsgrebet til smignit (9) for at frigøre savskoen (5).
2. Flyt savskoen til den ønskede position svarende til smignitvinkelmærkerne på smignitvinkelskalaen (10).
3. Spænd justeringsgrebet til smignit fast for at holde savskoen på plads.
4. Bekræft indstillingens nøjagtighed ved at kontrollere smignitvinklen på et reelt snit af et stykke affaldsmateriale.

Justering af sko til 90° snit (fig. K)

Skoen (5) er blevet indstillet af fabrikken til at sikre, at klingens vinkelret med skoen ved en smignitindstilling på 0°.

Hvis der er brug for genjustering:

1. Justér saven til 0° smig.
2. Træk nederste klinges beskyttelsesskærm tilbage (7).
3. Løsn justeringsgrebet til smignit (9). Anbring en vinkelmåler imod klingens (6) og skoen (5) for at justere indstillingen på 90°.
4. Drej kalibreringssskruen (22), så skoen vil stoppe ved den rette vinkel.
5. Bekræft indstillingens nøjagtighed ved at kontrollere vinklen på et snit af et stykke affaldsmateriale.

Tænd/sluk-kontakt (fig. A)

Saven er udstyret med en låseknappfunktion for at forhindre utilsigtet drift.

1. For at betjene værktøjet skal du trykke ind på låseknappen (2) fra hver side af savens og holde den inde, mens du trykker på udløserkontakten (1).
2. Når du har trykket på udløserkontakten, og værktøjet kører, skal du slippe låseknappen. Værktøjet kører, så længe der trykkes på udløserkontakten.
3. Tryk på udløserkontakten for at slå værktøjet fra.

BEMÆRK: Dette værktøj kan ikke låse værktøjet til tændt funktion, og kontakten må aldrig låses til tændt på nogen som helst måde.

Automatisk elektrisk bremse

Din sav er udstyret med en elektrisk klingebræmme, som stopper savklingen, 1-2 sekunder efter udløseren er sluppet. Denne er automatisk og kræver ingen justering.

Nederste klinges beskyttelsesskærm



ADVARSEL: Fare for flænger. Den nederste klinges beskyttelsesskærm er en sikkerhedsfunktion, som nedsætter risikoen for alvorlig personskade. Anvend aldrig saven, hvis den nederste beskyttelsesskærm mangler, er beskadiget, forkert monteret eller ikke virker korrekt. Stol ikke på at den nederste klinges beskyttelsesskærm vil beskytte dig under alle omstændigheder. Din sikkerhed afhænger af de følgende advarsler og forholdsregler lige såvel som korrekt betjening af saven. Kontrollér den nederste sikkerhedsskærm for korrekt lukning før hver brug som forklaret i **Ekstra sikkerhedsinstruktioner for alle save**. Hvis den nederste klinges sikkerhedsskærm mangler eller ikke virker korrekt, skal du få saven undersøgt, før du bruger den. For at sikre produktsikkerhed og -pålidelighed skal reparationer, vedligeholdelse og justeringer udføres af et autoriseret serviceværksted eller en anden kvalificeret serviceorganisation, som altid bruger identiske udskiftningsdele.



ADVARSEL: For at minimere risikoen for øjenskader, bær altid beskyttelsesbriller. Karbid er et hårdt, men sprødt materiale. Fremmedlegemer i arbejdsemnet som fx ledninger eller negle kan få spidserne til at revne eller knække. Arbejd kun med saven, når den korrekte savklinges beskyttelsesskærm er på plads. Monter klingens korrekt med passende rotation før brug og anvend altid en ren, skarp klinge.



ADVARSEL: For at reducere risikoen for personskade er det vigtigt at understøtte arbejdet korrekt og at holde saven godt fast for at forhindre tab af kontrol, som kan forårsage personskade. Figur L viser typisk håndstøtte.



ADVARSEL: For at reducere risikoen for kvæstelser skal du have læst og forstået alle vigtige sikkerhedsadvarsler og instruktioner, inden værktøjet anvendes.

Valg af klinger

Din rundsav er designet til brug med klinger med en diameter på 190 mm, som har en borningsdiameter på 30 mm. Klinger skal være klassificeret til drift på 6000 o/min. (eller højere). Anvend den IKKE på silberuller.

Generelle snit



ADVARSEL: For at reducere risikoen for personskade skal du tage batteriet ud og følge alle monterings-, justerings- og opsætningsinstruktioner.

Sørg for, at den nederste sikkerhedsskærm virker. Vælg den korrekte klinge til det materiale, der skal skæres.

- Mål og marker arbejde til skæring.

- Understøt og fastgør arbejdsemne korrekt (se *Understøttelse af lange paneler/fastgørelse af arbejdsemne*).
- Brug passende og nødvendigt sikkerhedsudstyr (se *Yderligere sikkerhedsoplysninger*).
- Beskyt og vedligehold arbejdsområde (se *Sikkerhedsinstruktioner for alle save*).
- Når batteriet er isat, skal du kontrollere, at kontakten tænder og slukker for saven.

Savning



ADVARSEL: For at reducere risikoen for alvorlig personskade skal du altid holde værktøjet med begge hænder.

- Placér dig på den ene side af klingens, men ikke på linje med savklingen. Tilbageslaget kan forårsage, at saven springer tilbage. Se *Ekstra sikkerhedsinstruktioner for alle save og Årsager til tilbageslag og relaterede advarsler*.
- Lad klingens køre frit i få sekunder før start på savning.
- Tryk kun let med værktøjet, mens du skærer.
- Arbejd med skoen trykket mod materialet.

Gode råd til optimal brug

- Sav fra den side, hvor der må forekomme splinter, da det er umuligt at undgå, at oversiden af materialet splintrer.
- Anbring et stykke krydsfiner oven på materialet, hvis splinter er uønsket, f.eks. når der saves i laminat.

Lommesavning (fig. M)



ADVARSEL: Bind aldrig klingens beskyttelsesskærm i en hævet position. Flyt aldrig savens baglæns under lommesavning. Dette kan få enheden til at hæve sig op over overfladen, hvilket kan medføre personskader.

Et lommesnit er et snit, som foretages, når materialets kant ikke skubber den nederste beskyttelsesskærm åben, men den nederste kant af den roterende klinge skærer ind i midten af materialet.

1. Justér skoen (5), så klingens skærer med den ønskede dybde.
2. Vip saven fremad og lad forenden af skoen hvile på det materiale, der skal skæres.
3. Træk ved hjælp af tilbagetrækningsgrebet den nederste beskyttelsesskærm tilbage til en oprejst position. Sænk bagenden på skoen, indtil klingens tænder næsten rører ved skærelinjen.
4. Udløs klingens beskyttelsesskærm (dens kontakt med arbejdsemnet vil holde den i position, så den åbnes uhindret, når du starter med at skære). Flyt hånden fra beskyttelsesskærmgrebet og tag godt fast i det sekundære håndtag (4), som vist i figur M. Placer din krop og arm således, at du kan modstå et tilbageslag, hvis det kommer.

5. Kontroller at klingens ikke er i kontakt med skæreoerfladen, før du starter saven.
6. Start motoren, lad saven komme op i fuld hastighed, og sænk derefter gradvist saven, indtil dens sko hviler fladt på det materiale, der skal skæres. Før saven frem langs med skærelinjen, indtil snittet er afsluttet.
7. Slip udløseren og lad klingens stoppe helt, før klingens trækkes tilbage fra materialet.
8. Ved start på hvert nyt snit, gentag ovennævnte.

Langsnitning

Der følger også en styreskinne med dit værktøj. Langsnitning er processen med at skære brede plader til smalle strimler – og skærer årene tværgående. Styring med hånden er vanskeligere med denne savtype, og brug af en styreskinne til langsnitning anbefales.

Støvsopsamling



ADVARSEL: Risiko for indånding af støv. For at mindske risikoen for personskade, skal du **ALTI** bære en godkendt støvmaske.



ADVARSEL: Brug **ALTI** en støvsuger, der er fremstillet i overensstemmelse med de gældende bestemmelser vedrørende støvudsugning ved savning af træ. Vakuumsluger til de fleste støvsugere vil passe direkte ind i støvudsugningsudgangen.

En støvsamlings-åbning (18) leveres sammen med dit værktøj. Støvudsugningsåbningen lader dig forbinde værktøjet til en ekstern støvudsuger.

Vedligeholdelse

Dit STANLEY FATMAX-værktøj er beregnet til brug gennem lang tid med et minimum af vedligeholdelse. Vedvarende tilfredsstillende funktion er afhængig af, om værktøjet plejes korrekt og rengøres regelmæssigt. Din oplader kræver ingen vedligeholdelse bortset fra regelmæssig rengøring.



Advarsel! Tag batteriet ud af værktøjet, inden der foretages vedligeholdelse på værktøjet. Træk opladeren ud af stikkontakten, før den rengøres.

- Rens jævnligt værktøjets og laderens ventilationshuller med en blød børste eller en tør klud.
 - Rengør med jævne mellemrum motorhuset med en fugtig klud.
- Der må ikke bruges skuremidler eller opløsningsmidler.

Miljøbeskyttelse



Særskilt bortskaftelse. Produkter og batterier mærket med dette symbol må ikke bortskaftes sammen med normalt husholdningsaffald.

Produkter og batterier indeholder materialer, der kan genindvindes eller genanvendes, hvilket reducerer efterspørgslen efter råvarer.

Genbrug venligst elektriske produkter og batterier i henhold til lokale bestemmelser. Yderligere informationer findes på www.2helpU.com

Tekniske data

		SFMC550
Indgangsspænding	V _{DC}	18
Hastighed ved ingen belastning	min ⁻¹	5.000
Maks. skæredybde	mm	65
Maks. skæredybde ved 45°	mm	50
smigsnit		
Klangediameter	mm	190
Klingeboring	mm	30
Klingens spidsbredde	mm	1,8
Vægt	kg	3,2
L _{PA} (lydtryk) 84,5 dB(A), Usikkerhed (K) 3 dB(A)		
L _{WA} (lydeffekt) 95,5 dB(A), Usikkerhed (K) 3 dB(A)		
Samlede vibrationsværdier (trixvektorsum) i henhold til EN 62841:		
Savning i træ (a _{h, W}) 1,4 m/s ² , usikkerhed (K) 1,5 m/s ²		
Oplader		SFMCB11/SFMCB12/SFMCB14
Indgangsspænding	V _{ac}	230
Udgangsspænding	V _{DC}	18
Strømstyrke	A	1,25/2,0/4,0
Batteri		SFMCB201/202/204/206
Spænding	V _{DC}	18
Kapacitet	Ah	1,5/2,0/4,0/6,0
Type		Li-Ion

EF-overensstemmelseserklæring MASKINDIREKTIV



SFMC550 Rundsav

STANLEY FATMAX erklærer, at produkterne beskrevet under "tekniske data" er i overensstemmelse med: EN62841-1:2015, EN62841-2-5:2014.

Disse produkter er endvidere i overensstemmelse med direktiv 2006/42/EF, 2014/30/EU og 2011/65/EU. Kontakt STANLEY FATMAX på nedenstående adresse, eller se vejledningens bagside for at få flere oplysninger.

Undertegnede er ansvarlig for udarbejdelsen af den tekniske fil og fremsætter denne erklæring på vegne af STANLEY FATMAX.

Ed Higgins

Direktør – Consumer Power Tools

STANLEY FATMAX Europe, Egide Walschaertsstraat 14-18,
2800 Mechelen, Belgien
25/11/2019

Garanti

STANLEY FATMAX er sikker på kvaliteten af sine produkter og giver forbrugeren en garanti på 12 måneder fra købsdatoen. Denne garanti er en tilføjelse til dine lovbefalede rettigheder. Garantien er gyldig inden for medlemsstaterne af Den Europæiske Union og Det Europæiske Frihandelsområde.

Når du gør krav på garantien, skal kravet være i overensstemmelse med STANLEY FATMAX vilkår og betingelser, og du skal indsende dokumentation for købet til sælgeren eller til en autoriseret reparatør.

Vilkår og betingelser for STANLEY FATMAX 1 års garanti og placeringen af dit nærmeste autoriserede serviceværksted kan fås på internettet på www.2helpU.com, eller ved at kontakte dit lokale STANLEY FATMAX kontor på den adresse, der er angivet i denne vejledning.

Besøg venligst vores websted www.stanleytools.eu/3 for at registrere dit nye STANLEY FATMAX-produkt og modtage opdateringer om nye produkter og specielle tilbud.

(Alkuperäisten ohjeiden käännös)

SUOMI

Käyttötarkoitus

STANLEY FATMAX SFMC550 -saha on suunniteltu puun ja puutuotteiden sahaamiseen. Työkalu on tarkoitettu sekä ammatti- että yksityiskäyttöön.

Turvaohjeet

Sähkötyökalun yleiset turvallisuusvaroitukset



Varoitus! Lue kaikki tämän laitteen mukana toimitetut varoitukset, käyttöohjeet ja tekniset tiedot. Jos kaikkia ohjeita ei noudateta, on olemassa sähköiskun, tulipalon ja/tai vakavan henkilövahingon vaara.

Tallenna kaikki varoitukset ja ohjeet myöhempää tarvitta varten. Kaikissa alla olevissa varoituksissa on käytettävä sähkötyökaluilmaus viittaa verkkovirtaan yhdistettävään tai akkukäyttöiseen työkaluun.

1. Työalueen turvallisuus

- Pidä työskentelyalue siistinä ja varmista sen hyvä valaistus.** Onnettomuuksia sattuu herkemmin epäsiistissä tai huonosti valaistussa ympäristössä.

- b. Älä käytä sähkötyökaluja, jos on olemassa räjähdysvaara esimerkiksi syttyvien nesteiden, kaasujen tai pölyn vuoksi. Sähkötyökalujen aiheuttamat kipinät voivat sytyttää pölyn tai kaasut.
- c. Pidä lapset ja sivulliset kaukana käyttäessäsi sähkötyökaluja. Keskitymiskyvyn herpaantuminen voi aiheuttaa hallinnan menettämisen.
- ## 2. Sähköturvallisuus
- a. Pistokkeen ja pistorasian on vastattava toisiaan. Älä koskaan tee pistokkeeseen mitään muutoksia. Älä yhdistä maadoitettua sähkötyökaluja jatkojohtoon. Sähköiskun vaara vähenee, jos pistokkeisiin ei tehdä muutoksia ja ne yhdistetään vain niille tarkoitettuihin pistorasioihin.
- b. Älä kosketa maadoituksessa käytettäviin pintoihin, kuten putkiin, lämpöpattereihin ja jäähdytyslaitteisiin. Voit saada sähköiskun, jos kehosi on maadoitettu.
- c. Älä altista sähkötyökaluja sateelle tai kosteudelle. Sähkötyökaluun menevä vesi lisää sähköiskun vaaraa.
- d. Älä vaurioita sähköjohtoa. Älä kannata sähkötyökaluja sähköjohdosta tai vedä pistoketta pistorasiasta sähköjohdon avulla. Pidä sähköjohto kaukana kuumuudesta, öljystä, terävistä reunoista tai liikkuvista osista. Vaurioituneet tai sotkeutuneet johdot lisäävät sähköiskun vaaraa.
- e. Jos käytät sähkötyökaluja ulkona, käytä vain ulkokäyttöön tarkoitettua jatkojohtoa. Ulkokäyttöön tarkoitettun sähköjohdon käyttäminen vähentää sähköiskun vaaraa.
- f. Jos sähkötyökalu on käytettävä kosteassa paikassa, käytä vikavirtasuojaa. Tämä vähentää sähköiskun vaaraa.
- ## 3. Henkilökohtainen turvallisuus
- a. Käyttäessäsi sähkötyökaluja pysy valppaana, keskity työhön ja käytä tervettä järkeä. Älä käytä tätä sähkötyökaluja ollessasi väsynyt tai alkoholin, huumeiden tai lääkkeiden vaikutuksen alaisena. Keskitymisen herpaantuminen hetkeksikin sähkötyökaluja käytettäessä voi aiheuttaa vakavan henkilövahingon.
- b. Käytä henkilösuojausvarusteita. Käytä aina suojalaseja. Hengityssuojaimen, liukumattomien turvajalkineiden, kypärän ja kuulonsuojaimen käyttäminen vähentää henkilövahinkojen vaaraa.
- c. Estä tahaton käynnistäminen. Varmista, että virtakytkin on OFF-asennossa, ennen kuin kytket sähkötyökalan pistorasiaan, yhdistät siihen akun, nostat sähkötyökalan käteesi tai kannat sitä. Sähkötyökalan kantaminen sormi virtakytkimellä lisää onnettomuusvaaraa.
- d. Poista kaikki säätöavaimet tai vääntimet ennen sähkötyökalan käynnistämistä. Sähkötyökalan pyöriivään osaan jäänyt säätöavain tai väännin voi aiheuttaa henkilövahingon.
- e. Älä kurkottele. Huolehdi siitä, että sinulla on koko ajan tukeva jalansija ja hyvä tasapaino. Näin voit hallita sähkötyökaluja paremmin odottamattomissa tilanteissa.
- f. Pukeudu oikein. Älä käytä löysiä vaatteita tai koruja. Pidä hiukset, vaatteet ja kädet loitolla liikkuvista osista. Löysät vaatteet, korut tai pitkät hiukset voivat tarttua liikkuviin osiin.
- g. Jos käytettävissä on laitteita pölyn ottamiseksi talteen, käytä niitä. Pölyn ottaminen talteen voi vähentää pölyn aiheuttamia vaaroja.
- h. Vaikka käyttäisit usein työkaluja ja sinulla olisi niistä hyvä tuntemus, älä jätä lukematta työkalun turvallisuusohjeita. Epähuomiossa suoritettujen toimenpiteiden voi johtaa vakaviin henkilövahinkoihin sekunnin murto-osassa.
- ## 4. Sähkötyökaluista huolehtiminen
- a. Älä kohdista sähkötyökaluun liikaa voimaa. Valitse käyttötarkoituksen kannalta oikea sähkötyökalu. Sähkötyökalu toimii paremmin ja turvallisemmin, kun sitä käytetään sille suunniteltuun käyttötarkoitukseen.
- b. Älä käytä sähkötyökaluja, jos virtakytkin ei toimi. Jos sähkötyökaluja ei voi hallita kytkimen avulla, se on vaarallinen ja se on korjattava.
- c. Katkaise sähkötyökaluista virta ja/tai irrota sen pistoke pistorasiasta tai irrota akku (jos irrotettavissa) siitä ennen säätämistä, varusteiden vaihtamista tai sähkötyökalan asettamista säilytykseen. Näin voit vähentää vahingossa käynnistymisen aiheuttaman henkilövahingon vaaraa.
- d. Varasto sähkötyökaluja lasten ulottumattomissa. Älä anna sähkötyökaluihin tottumattomien tai näihin ohjeisiin perehtymättömien henkilöiden käyttää sähkötyökaluja. Sähkötyökalat ovat vaarallisia kouluttamattomien käyttäjien käsissä.
- e. Hoida sähkötyökaluasi ja lisävarusteita huolella. Tarkista, että liikkuvat osat toimivat moitteettomasti ja etteivät ne ole puristuksessa. Tarkista myös, ettei työkalussa ei ole murtuneita tai vahingoittuneita osia, jotka saattaisivat vaikuttaa haitallisesti sen toimintaan. Jos havaitset vaurioita, korjaa sähkötyökalu ennen niiden käyttämistä. Huonosti kunnossapidetyt sähkötyökalat aiheuttavat onnettomuuksia.
- f. Pidä leikkaavat pinnat terävinä ja puhtaina. Kunnossa pidettyjen leikkaavien teräviä reunoja sisältävien työkalut todennäköisyyden jumiutua vähenee, ja niitä on helpompi hallita.

g. Käytä sähkötyökaluja, tarvikkeita, vaihtotyökaluja jne. näiden ohjeiden mukaisesti. Ota tällöin huomioon työolosuhteet ja suoritettava toimenpide.

Jos sähkötyökalua käytetään näiden ohjeiden vastaisesti, voi syntyä vaaratilanne.

h. Pidä kahvat ja kädensijat kuivina ja puhtaina öljystä ja rasvasta. Liukkaat kahvat ja pinnat heikentävät laitteen hallinnan ja ohjauksen turvallisuutta odottamattomissa tilanteissa.

5. Akkutoimisen työkalun käyttö ja hoito (vain akkutyökaluissa)

a. Lataa vain valmistajan määrittämällä laturilla.

Laturi, joka on sopiva yhden tyypiselle akulle, voi aiheuttaa tulipalon vaaran, jos sitä käytetään toisen tyyppisellä akulla.

b. Käytä sähkötyökalussa ainoastaan kyseiseen sähkötyökaluun tarkoitettua akkua. Muun tyyppisen akun käyttö saattaa johtaa loukkaantumiseen ja tulipaloon.

c. Pidä irrallinen akku loitolla metalliesineistä, kuten paperiliittimistä, kolikoista, avaimista, nauloista, ruuveista tai muista pienistä metalliesineistä, jotka voivat aiheuttaa oikosulun akun navoissa. Akun napojen oikosulku voi aiheuttaa palovammoja tai tulipalon.

d. Väärin käytetystä akusta voi vuotaa nestettä. Älä kosketa sitä. Jos nesteen kanssa joutuu kosketuksiin, huuhtelee vedellä. Jos nestettä joutuu silmiin, hakeudu lisäksi lääkärin hoitoon. Akusta roiskunut neste saattaa aiheuttaa ärsytystä tai palovammoja.

e. Vaurioitunutta tai muokattua akkua tai laitetta ei saa käyttää. Vaurioituneissa tai muokatuissa akuissa voi esiintyä odottamattomia häiriöitä, jotka voivat aiheuttaa tulipaloja, räjähdysvaaroja tai henkilövahinkoja.

f. Akku ja laite tulee suojata tulelta sekä liian korkealta lämpötilalta. Mikäli akku altistuu tulelta tai yli 130 °C lämpötilalle, seurauksena voi olla räjähdys.

g. Noudata kaikkia latausohjeita, akkua tai laitetta ei saa ladata ohjeissa annettujen lämpötilavälien ulkopuolella. Virheellisen latauksen tai annettujen lämpötilavälien ulkopuolella lataamisen seurauksena akku voi vaurioitua ja tulipalovaara kasvaa.

6. Huolto

a. Korjauta sähkötyökalu valtuutetulla asentajalla. Varaosina on käytettävä vain alkuperäisiä vastaavia osia. Täten taataan sähkötyökalun turvallisuus.

b. Vaurioituneita akkuja ei saa koskaan huoltaa. Ainoastaan valmistaja tai valtuutetut huoltoliikkeet saavat huoltaa akkuja.

Turvallisuusohjeet kaikille sahoille

Leikkausmenettelyt

- △ VAARA: Pidä kädet poissa leikkausalueelta ja terästä. Tartu toisella kädellä apukahvasta tai moottorikotelosta.** Jos tartut saahan molemmin käsin, ne eivät pääse koskettamaan terää.
- Älä kurota työkappaleen alle.** Suojus ei suojaa terältä työkappaleen alapuolella.
- Säää leikkaussyvyys työkappaleen paksuuden mukaan.** Työkappaleen alapuolella tulee näkyä alle puolet terän hampaasta.
- Älä koskaan pidä työkappaletta käsissä tai jalkojen päällä leikkaamisen aikana. Kiinnitä työkappale tukevalle alustalle.** On tärkeää tukea työkappale oikein, jotta voitaisiin minimoida kehon vaarantuminen, terän juuttuminen kiinni tai hallinnan menettäminen.
- Tartu kiinni koneen eristetyistä tartuntapinnoista, jos leikkausvälinettä käyttäessä on vaara osua piilossa oleviin johtoihin.** Kiinnittimien osuminen jännitteeseen johtoon tekee sen paljaista metalliosista jännitteisiä, joten käyttäjä voi saada sähköiskun.
- Käytä aina halkaisusahasvastetta tai suoraa reunaohjainta halkaisusahauksessa.** Se antaa tarkemman leikkauksen ja vähentää terän kiinnijuttumisvaaraa.
- Käytä aina oikean kokoisia teriä, joissa on oikean muotoinen keskus (vinoneliö tai pyöreä).** Jos terä ei vastaa sahan asennuskiinnikkeitä, terä pyörii epäkeseisesti aiheuttaen hallinnan menetyksen.
- Älä koskaan käytä vahingoittunutta tai vääranlaista terän aluslevyä tai pulttia.** Terän aluslevyt ja pultit on suunniteltu tälle sahalle parasta suorituskykyä ja turvallista käyttöä silmällä pitäen.

Lisäturvallisuusohjeet kaikille sahoille

Takaiskun syyt ja vastaavat varoitukset

- Takaisku on äkinäinen reaktio, kun sahanterä juuttuu kiinni tai on kohdistettu väärin, jolloin saha nousee hallitsemattomasti ylös työkappaleesta käyttäjää kohti.
- Kun sahanterä juuttuu tiukasti kiinni uurrekseen, terä pysähtyy ja moottorin reaktio heittää sahan nopeasti takaisin käyttäjää kohti.
- Jos terä vääntyy tai kohdistuu väärin, terän takaosan hampaat voivat kaivautua puun yläpintaan ja aiheuttaa terän nousemisen ylös uurreksesta ja sahan hyppäämisen takaisin käyttäjää kohti.

Takaisku aiheutuu työkalun väärinlaisesta käytöstä ja/tai vääristä työmenetelmistä tai työolosuhteista, jotka voidaan välttää seuraavilla varoitoimenpiteillä:

- a. **Ota tukeva ote sahasta molemmin käsin ja pidä käsivartesi sellaisessa asennossa, että voit torjua takaiskuvoimat. Pidä vartalo jommallakummalla puolella terää, ei linjassa terän kanssa.** Takaisku voi saada sahan hyppäämään takaisin, mutta käyttäjä voi hallita takaiskun voimaa ottamalla huomioon oikeat varoimet.
- b. **Jos terä on jumitumassa tai jos sahaaminen keskeytetään mistä tahansa syystä, päästä irti liipaisimesta äläkä liikuta sahaa työkappaleessa, kunnes terä on kokonaan pysähtynyt. Älä koskaan yritä irrottaa sahaa työtettävästä materiaalista tai vetää sitä taaksepäin terän liikkeessa, koska tällöin voi syntyä takaisku.** Tutki terän juuttumisen syy ja suorita korjaustoimenpiteet.
- c. **Kun käynnistät sahan uudelleen työkappaleessa, keskitä terä uurttoon niin, etteivät hampaat ole kiinni materiaalissa.** Jos terä juuttuu kiinni, se saattaa lähteä nousemaan ylös tai iskeä taakse työkappaleesta, kun saha käynnistetään.
- d. **Tue isot levyt terän juuttumisen ja takaiskun vaaran vähentämiseksi.** Suuret paneelit pyrkivät taipumaan omasta painostaan. Aseta tuki levyn alle molemmin puolin lähelle leikkauslinjaa ja lähelle levyn reunaa.
- e. **Älä käytä tylsiä tai viioituneita teriä.** Teroittamattoman tai väärin asetetun terän sahaama leikkausura jää kapeaksi, ja siitä syntyy ylimääräinen kitka saattaa aiheuttaa terän juuttumisen tai takaiskun.
- f. **Teräsyvyuden ja -viistouden säädön lukitusvipujen tulee olla tiukasti kiinni ennen leikkaamiseen ryhtymistä.** Jos terän säädöt liikkuvat sahauksen aikana, voi tapahtua jumitumisia tai takaiskuja.
- g. **Ole erityisen varovainen, kun sahaat valmiiseen seinään tai muuhun tuntemattomaan paikkaan.** Esin tunkeutua terä voi kohdata vastuksen, joka aiheuttaa takaiskun.

Turvallisuusohjeet sahoille, joissa on heiluriterän suojus

Alasuojuksen toiminta

- a. **Tarkista alempi teräsuojaus oikeaoppisen sulkeutumisen varmistamiseksi ennen jokaista käyttökertaa. Älä käytä sahaa, jos alasuojaus ei liiku vapaasti ja sulkeudu terän ympärille välittömästi. Älä purista tai sido alasuojusta avoimeen asentoon.**

Jos saha tippuu vahingossa, alasuojaus saattaa taipua. Nosta alasuojaus taakse vedettävällä kahvalla ja varmista, että suojuus liikkuu vapaasti koskettamatta terää tai mitään muuta osaa missään kulmassa tai leikkaussyvytydessä.

- b. **Tarkista alasuojuksen jousen toiminta. Jos suojuus ja sen jousi eivät toimi oikein, ne täytyy huoltaa ennen seuraavaa käyttöä.** Alasuojaus voi toimia veltosti, koska sen osat ovat vaurioituneet, siinä on tahmeita jäämiä tai siihen on kertynyt likaa.
- c. **Alasuojusta tulee vetää käsin vain, jos ollaan tekemässä sukulussahauksia tai yhdistettyjä sahouksia.** Nosta alasuojusta taakse vedettävällä kahvalla ja heti kun terä uupoo materiaaliin, alasuojaus täytyy vapauttaa. Kaikessa muussa sahouksessa alasuojuksen tulisi toimia automaattisesti.
- d. **Tarkista aina, että alasuojaus peittää terän, ennen kuin asetat sahan työpöydälle tai lattialle.** Suojaamaton, vapaalla pyörivä terä aiheuttaa sahan kulkemisen taaksepäin, jolloin se leikkaa kaikkea eteen tulevaa. Ota huomioon aika, joka kuluu terän pysähtymiseen liipaisimen vapauttamisen jälkeen.

Pyörösaohjen lisäturväsäätöjä

- **Käytä kuulosuojia.** Melulle altistuminen voi aiheuttaa kuulon menetyksen.
- **Käytä pölysuojainta.** Pölyhiukkasille altistuminen voi aiheuttaa hengitysvaikeuksia ja mahdollisen vamman.
- **Älä käytä teriä, joiden halkaisija on suosituksia suurempi tai pienempi.** Katso terän sopivat tyyppiarvot teknisistä tiedoista. Käytä vain ohjekirjassa ilmoitettuja teriä EN 847-1-standardin mukaisesti.
- **Käytä ainoastaan sahanteriä, joiden nopeusmerkintä on vähintään yhtä suuri kuin työkaluun merkitty nopeusarvo.**
- **Vältä terän kärkien ylikuumentumista.**
- **Asenna pölynpoistoportti sahaan ennen käyttöä.**
- **Älä käytä leikkauslaikkoja.**
- **Älä käytä vettä syöttäviä liitososia.**
- **Käytä puristimia tai muuta käytännöllistä tapaa kiinnittää ja tukea työkappale tukevalle alustalle.** Työn pitäminen käsin tai vartaloa vasten on epävakaa ja saattaa johtaa kontrollin menetykseen.

Jäännösriskit

Seuraavat riskit liittyvät sahojen käyttöön:

- Työkalun pyörivien osien koskettamisesta aiheutuvat vammat.

Tiettyjä jäännösriskejä ei voi välttää, vaikka noudatetaan kaikkia turvamaäräyksiä ja käytetään turvalaitteita. Näitä ovat seuraavat:

- Kuulon heikkeneminen.
- Pyörivien sahanterien suojaamattomien osien aiheuttama onnettomuusriski.

- Terän vaihtamisen aikana aiheutuva vahingonvaara.
- Sormien puristumisen riski suojuksia vaihdettaessa.
- Terveysriskit, jotka aiheutuvat pölyn hengittämisestä sahattaessa puuta, erityisesti tammea, pyökkiä ja MDF-levyä.

Muiden henkilöiden turvallisuus

- Tätä työkalua ei ole tarkoitettu sellaisten henkilöiden käyttöön, joilla on fyysisiä tai älyllisiä rajoitteita tai aistirajoitteita, eikä laitteen toimintaan perehtymättömien henkilöiden käyttöön (lapset mukaan luettuina), paitsi valvonnan alaisina, tai jos he ovat saaneet työkalun käyttöön liittyvää opastusta heidän turvallisuudestaan vastaavalta henkilöltä.
- Lapsia tulee valvoa ja varmistaa, että he eivät leiki laitteella.

Tärinä

Teknisissä tiedoissa ja vaatimustenmukaisuusvakuutuksessa ilmoitettu tärinäpäästöarvo on mitattu EN62841-standardin testausmenetelmän mukaisesti, ja arvoa voi käyttää työkalujen keskinäiseen vertailuun. Ilmoitettua tärinän päästöarvoa voidaan käyttää myös alustavassa altistumisen arvioinnissa.



Varoitus! Todellinen tärinän päästöarvo sähkötyökalun käytön aikana voi poiketa ilmoitetusta arvosta työkalun käyttötavasta riippuen. Tärinätaaso voi olla ilmoitettua tasoa suurempi.

Kun tärinälle altistumista arvioidaan sen määrittämiseksi, mitä direktiivin 2002/44/EY mukaisia turvatoimenpiteitä vaaditaan sähkötyökaluja säännöllisesti käytävien henkilöiden suojelemiseksi, tärinälle altistumisen arvioinnissa on otettava huomioon todelliset käyttöolosuhteet ja työkalun käyttötavat. Todellisen käytön lisäksi on kiinnitettävä huomiota myös siihen, milloin työkalu on sammutettuna tai se käy tyhjäkäynnillä.

Työkalun tarrat

Työkaluun on merkitty päivämääräkoodi sekä seuraavat varoitusmerkinnät:



Varoitus! Käyttäjän on luettava käyttöohje vahinkojen välttämiseksi.

Akkua ja laturia koskevat lisäturvaohjeet

Akut

- Älä koskaan yritä avata mistään syystä.
- Älä anna akun kastua.
- Älä säilytä akkua tiloissa, joissa lämpötila voi nousta yli 40 °C:een.
- Lataa akku paikassa, jonka lämpötila on vähintään +10 °C ja enintään +40 °C.
- Lataa akku ainoastaan työkalun mukana toimitetulla laturilla.

- Noudata akkua hävittäessäsi kohdassa Ympäristönsuojelu annettuja ohjeita.



Älä koskaan yritä ladata viallisia akkua.

Laturit

- Käytä laturia vain laitteen mukana toimitetun akun lataamiseen. Muut akut voivat räjähtää ja aiheuttaa henkilövahinkoja tai aineellisia vahinkoja.
- Älä koskaan yritä ladata akkua, joita ei ole tarkoitettu ladattaviksi.
- Vaihda vialliset johdot välittömästi ejiin.
- Älä anna laturin kastua.
- Älä avaa laturia.
- Älä työnä mitään laturin sisään.



Laturi on tarkoitettu ainoastaan sisäkäyttöön.

Sähköturvallisuus



Tämä laturi on kaksoiseristetty, joten erillistä maadoitusta ei tarvita. Tarkista aina, että verkkovirran jännite vastaa tyypikkilpeen merkittyä jännitettä.

- Jos virtajohto vahingoittuu, sen vaihtaminen on turvallisuussyistä jätettävä valmistajan tai valtuutetun STANLEY FATMAX -huoltopalvelun tehtäväksi.

Kuvaus (kuva A)



VAROITUS: Älä tee laitteen tai sen osiin mitään muutoksia. Muutoin voi aiheutua omaisuus- tai henkilövahinkoja.

1. Virtakytkin
2. Lukituspainike
3. Pääkahva
4. Lisäkahva
5. Kenkä
6. Sahanterä
7. Alempi teräsuojus
8. Alasuojuksen taakse vedettävä kahva
9. Viisteen säätövipu
10. Viistekulman asteikko
11. Ulkoisen teräkiinnittimen aluslevy
12. Terän kiinnityspultti
13. Syvyyden säätövipu
14. Karan lukituspainike
15. Akku
16. Akun vapautuspainike
17. Kuusiokoloavain
18. Pölynpoistoportti



VAROITUS: Tällä sahalla ei saa leikata metallia, kiviainesta, lasia, laattoja tai muovia.

Tylsä terä aiheuttaa hitaan ja tehottoman leikkauksen, sahan moottorin ylikuormituksen, liiallisesti siruja, ja voi lisätä takaiskun mahdollisuutta.

- **ÄLÄ** käytä hiomalaikkoja.
- Käytä vain puun sahaamiseen tarkoitettuja teriä.



VAROITUS: Pihkan peittämän puun ja muiden materiaalien leikkaaminen voi aiheuttaa sulaneiden aineiden kerääntymisen terän kärkiin ja sahanterän runkoon, mikä voi lisätä terän ylikuumentumisen ja jumiutumisen riskiä leikattaessa.

ÄLÄ käytä kosteissa olosuhteissa tai jos laitteen lähellä on syttyviä nesteitä tai kaasuja.

ÄLÄ anna lasten koskea laitteeseen. Kokemattomat henkilöt saavat käyttää tätä laitetta vain valvotusti.

ÄLÄ käytä kosteissa olosuhteissa tai jos laitteen lähellä on syttyviä nesteitä tai kaasuja.

ÄLÄ anna lasten koskea laitteeseen. Kokemattomat henkilöt saavat käyttää tätä laitetta vain valvotusti.

- **Pienet lapset ja liikuntarajoitteiset.** Tätä laitetta ei ole tarkoitettu pienten lasten tai liikuntarajoitteisten henkilöiden käyttöön ilman valvontaa.
- Tämä tuote ei ole tarkoitettu henkilöiden (mukaan lukien lapset) käytettäväksi, joiden fyysiset, sensoriset tai henkiset kyvyt tai kokemus ja/tai tietämys tai taidot ovat rajalliset. Heidän turvallisuudestaan tulee huolehtia heistä vastuussa oleva henkilö. Lapsia ei koskaan saa jättää yksin tämän tuotteen kanssa.

Akun kiinnittäminen ja irrottaminen (kuva B)

- ◆ Kiinnitä akku (15) asettamalla se koneen liitännän kanssa samaan linjaan. Liu'uta akkua kiinnityssyvennykseen, kunnes akku lukittuu paikalleen.
- ◆ Irrota akku painamalla vapautuspainikkeita (16) samalla, kun vedät akun irti syvennyksestä.

Käyttö



VAROITUS: Anna laitteen käydä ilman kuormitusta. Vältä työkalun ylikuormittamista. Tätä konetta voidaan käyttää oikealla tai vasemmalla kädellä.

Akun lataaminen (kuva B)

Lataa akku ennen ensimmäistä käyttökertaa ja aina silloin, kun se ei enää tuota riittävästi virtaa toimintoihin, jotka aikaisemmin hoituivat helposti. Akku voi lämmetä ladattaessa. Tämä on normaalia, eikä se ole merkki mistään viasta.



VAROITUS: Älä lataa akkua alle 10 °C tai yli 40 °C asteen lämpötilassa. Suositeltava latauslämpötila on 24 °C.

Huomautus: Laturi ei lataa akkuja, jos akun kennon lämpötila on alle 10 °C tai yli 40 °C. Akut on kuitenkin jätettävä laturiin. Laturi aloittaa lataamisen automaattisesti, kun kennon lämpötila laskee tai nousee sallitulle lämpötila-alueelle.

- ◆ Lataa akku (15) asettamalla se laturiin (24). Akku sopii laturiin vain yhdessä asennossa. Älä pakota. Varmista, että akku on kunnolla latautissa.

- ◆ Kytke laturi pistorasiaan.

Lataustilan ilmaisin (25) vilkkuu.

Akku on ladattu, kun latauksen merkkivalo (25) palaa keskeytyksettä. Akku voidaan jättää laturiin vaikka kuinka pitkäksi aikaa. Merkkivalo alkaa vilkkua ns. täydennyslatauksen ajaksi.

- ◆ Lataa akut viikon kuluessa tyhjentyneistä. Akkujen käyttöikä lyhenee merkittävästi, jos ne jätetään tyhjiksi pitkäksi aikaa.

Akun jättäminen laturiin

Akku voidaan jättää laturiin, kun merkkivalo palaa. Laturi pitää akun käyttövalmiina ja ladattuna.

Laturin vianmääritys

Jos laturi havaitsee lähes tyhjän tai viallisen akun, latauksen merkkivalo (25) vilkkuu nopeasti punaisena. Toimi seuraavasti:

- ◆ Aseta akku (15) uudelleen laturiin.
- ◆ Jos merkkivalot vilkkuvat edelleen nopeasti punaisena, vaihda akku, jotta saat selville, toimiiko lataus asianmukaisesti.
- ◆ Jos toinen akku latautuu normaalisti, alkuperäinen akku on viallinen ja se on vietävä Black & Deckerin huoltopisteeseen kierrätettäväksi.
- ◆ Jos toinen akku antaa saman virheilmoituksen kuin alkuperäinen, vie laturi huoltopisteeseen testattavaksi.

HUOMAA: Akun kennon määrittäminen voi kestää 30 minuuttia. Jos akku on liian kuuma tai kylmä, latauksen merkkivalo vilkkuu punaisena vuoroin nopeasti ja hitaasti.

Terän kiinnittäminen ja irrottaminen (kuva C)

1. Vedä alasuojus sisään ja asenna sahanterä (6) sekä ulkoisen teräkiinnittimen aluslevy (11) kuvan C mukaisesti.
2. Paina karan lukituspainiketta (14) kääntämällä samalla terän kiinnityspulttia (12) kuusiokoloavaimella (17), kunnes terä lukittuu ja sen kierto loppuu.

HUOMAA: Kuusiokoloavainta säilytetään sahassa kuvan A mukaisesti.

Kiristä terän kiinnityspultti tiukkaan kuusiokoloavaimella.

HUOMAA: Pultissa on oikeanpuoleiset kierteet. Löysää pultti kiertämällä sitä vastapäivään. Kiristä kiertämällä myötäpäivään.

HUOMAA: Älä koskaan kytke terän lukkoa sahan käydessä tai yritä kytkeä sitä työkalun pysäyttämiseksi. Älä koskaan käynnistä työkalua, kun terän lukko on kytketty. Tämä aiheuttaa sahalle vakavia vahinkoja.

Suurien paneelien tukeminen/työstökappaleen kiinnittäminen (kuva D-G)

Kannattele suuria paneeleita terän jumiutumisen ja takapotkun riskin minimoimiseksi.

Suuret paneelit pyrkivät taipumaan omasta painostaa kuvan D mukaisesti.

Aseta tuki levyn alle molemmin puolin lähelle leikkauslinjaa ja lähelle levyn reunaa (kuva E).



VAROITUS: Henkilövahinkojen välttämiseksi sahattavaa työstökappaletta ei saa koskaan pitää käsillä tai jalkojen päällä (kuva F).

Kiinnitä työstökappale tukevalle alustalle kuvan G mukaisesti. On tärkeää tukea työkappale oikein, jotta voitaisiin minimoida kehon vaarantuminen, terän juuttuminen kiinni tai hallinnan menettäminen.

Leikkaussyvyyden säätäminen (kuva G-I)

Sahaussyvyys säädetään työstökappaleen paksuuden mukaisesti.

1. Löysää syvyyden säätövipua (13) sahausjalan (5) lukituksen avaamiseksi.
2. Kohdista sahausjalka haluamaasi leikkaussyvyyteen syvyysshihnan asteikon merkintöjen mukaisesti.
3. Aseta sahan syvyyden säätö niin, että yksi terän hammas (19) tulee ulos työstökappaleen (20) alta kuvan I mukaisesti.
4. Lukitse sahausjalka paikalleen kiristämällä syvyyden säätövipu.

Viistekulman säätö (kuva J)

Tämän koneen viistosahauskulma voidaan säätää välille 0° - 56°.

1. Löysää viisteen säätövipua (9) sahausjalan (5) lukituksen avaamiseksi.
2. Siirrä sahausjalka haluamaasi asentoon viistekulman asteikon (10) viistosahauskulman merkintöjen mukaisesti.
3. Lukitse sahausjalka paikalleen kiristämällä viisteen säätövipu.
4. Vahvista asetuksen tarkkuus tarkistamalla koekappaleeseen suoritettua leikkauksen viistosahauskulma.

Sahausjalan säätäminen 90° leikkauksiin (kuva K)

Sahausjalka (5) on asetettu tehtaalla niin, että terä on kohtisuorassa sahausjalkaan 0° viistosahauskulmassa.

Jos kolidistuksen säätö on tarpeen:

1. Säädä saha 0°:een viistosahauskulmaan.
2. Vedä alempi teräsuojus (7) sisään.
3. Löysää viisteen säätövipua (9). Laita nelikulmio terää (6) ja sahausjalkaa (5) vasten 90° asetuksen säätämiseksi.
4. Käännä säätöruuvia (22) niin, että sahausjalka pysähtyy oikeaan kulmaan.
5. Vahvista asetuksen tarkkuus tarkistamalla koekappaleeseen suoritettua leikkauksen suorakulmaisuus.

Virtakytin (kuva A)

Sahassa on lukituskytkin työkalun tahattoman käytön estämiseksi.

1. Voit käyttää työkalua painamalla lukituksen vapautuspainike (2) sisään sahan jommalla kummalla puolella ja pitämällä sitä alhaalla painaessa liipaisukytkintä (1).
2. Kun olet painanut liipaisukytkintä ja työkalu on käynnissä, vapauta lukituksen vapautuspainike. Työkalu käy niin kauan kuin liipaisukytkintä painetaan.
3. Sammuta työkalu vapauttamalla liipaisukytkin.

HUOMAA: Tässä työkalussa ei ole mahdollisuutta lukita työkalua päälle, eikä sitä saa koskaan lukita päälle millään muulla tavoin.

Automaattinen sähköjarru

Sahassa on terän sähköjarru, joka pysäyttää sahanterän 1–2 sekunnin kuluessa liipaisukytkimen vapauttamisesta. Se toimii automaattisesti eikä sen säätö ole tarpeen.

Alempi teräsuojus



VAROITUS: Leikkautumisvaara. Terän alasuojus on turvalaite, joka vähentää vakavan henkilövahingon vaaraa. Älä koskaan käytä sahaa, jos alasuojus puuttuu, on vaurioitunut, asennettu virheellisesti tai ei toimi oikein. Älä luota terän alasuojuksen suojaan kaikissa tilanteissa. Turvallisuutesi riippuu seuraavien varoitusten ja varoitoimenpiteiden noudattamisesta sekä sahan oikeaoppisesta käytöstä. Tarkista terän alasuojuksen virheetön sulkeutuminen ennen jokaista käyttökertaa osion ”**Kaikkien sahojen lisäturvallisuusohjeet**” ohjeiden mukaisesti. Jos terän alasuojus puuttuu tai toimii virheellisesti, saha tulee huoltaa ennen sen käyttöä. Tuotteen turvallisuuden ja luotettavuuden takaamiseksi tuotteen korjaamisen, huollon ja säädön saa suorittaa valtuutettu huoltopalvelu tai muu pätevä huolto-organisaatio samanlaisia varaosia käyttäen.



VAROITUS: Käytä aina suojalaseja silmävamman minimoimiseksi. Karbidi on kovaa, mutta murenevaa materiaalia. Työstökappaleessa olevat vieraat esineet, kuten johdot tai naulat, voivat aiheuttaa terien halkeamisen tai rikkoutumisen. Käytä sahaa ainoastaan silloin, kun sahanterän suoja on paikoillaan. Asenna terä tiukasti kiertämällä ennen käyttämistä, ja käytä aina puhdasta ja terävää terää.



VAROITUS: Henkilövahinkojen välttämiseksi työstökappaletta on tärkeää tukea oikeaoppisesti ja pitää sahaa tiukasti hallinnan menettämisen ja henkilövahinkojen välttämiseksi. Kuvassa L on esitetty tyypillinen käden tuki.



VAROITUS: Kaikki tärkeät varoitukset ja turvallisuusohjeet tulee lukea ja ymmärtää ennen työkalun käyttöä vakavien henkilövahinkojen välttämiseksi.

Terän valitseminen

Pyörösahas on tarkoitettu käytettäväksi halkaisijaltaan 190 mm:n terillä, joissa on halkaisijaltaan 30 mm:n reikä. Terien nimelliskiertonopeuden on oltava vähintään 6000 kierr./min. ÄLÄ käytä hiomalaikkoja.

Yleiset leikkaukset



VAROITUS: Henkilövahinkojen välttämiseksi poista akku ja noudata kaikkia asennus-, säätö- ja asetusohjeita.

Varmista, että alasuojus toimii. Valitse oikea terä leikattavalle materiaalille.

- Mittaa ja merkitse leikattavat kohdat.
- Tue työstökappaletta ja kiinnitä se oikeaoppisesti (katso kohta **Suurien paneelien tukeminen/työstökappaleen kiinnittäminen**).
- Käytä asianmukaisia ja vaadittuja turvavarusteita (katso kohta **Lisäturvaohjeet**).
- Suojaa ja ylläpidä työaluetta (katso kohta **Turvallisuusohjeet kaikille sahoille**).
- Varmista, että virtakytkin kytkee sahan päälle ja pois päältä akun ollessa asennettuna.

Sahaus



VAROITUS: Vähentääksesi vakavien henkilövahinkojen riskiä työkalua tulee pitää aina molemmilla käsillä.

- Pidä vartalo jommalla kummalla puolella terää, ei linjassa sahanterän kanssa. Takaisku voi aiheuttaa sahan takaiskun. Katso kohta **Lisäturvallisuusohjeet kaikille sahoille ja Takaiskun syyt ja vastaavat varoitukset**.
- Anna terän pyöriä vapaasti muutaman sekunnin ajan ennen leikkaamisen aloittamista.
- Paina työkalua vain kevyesti, kun sahaat.
- Paina sahausjalkaa työkappaletta vasten.

Näin saavutat parhaat tulokset

- Työstökappale voi lohkeilla sahattaessa. Sahaa siksi työstökappale se puoli päällimmäisenä, joka saa lohkeilla.
- Jos lohkeilun pitää olla mahdollisimman vähäistä, esim. sahattaessa laminaattia, kiinnitä pala vaneria työstökappaleen päälle.

Taskuleikkaus (kuva M)



VAROITUS: Älä koskaan sido teräsuojusta yläasentoon. Älä koskaan siirrä sahaa taaksepäin taskuleikkauksen aikana. Muutoin laite voi nousta pois työkappaleesta, jolloin on olemassa henkilövahinkovaara.

Taskuleikkaus toteutetaan, kun materiaalin reuna ei paina alasuojusta auki, vaan pyörivän terän alareuna leikkaa materiaalin keskelle.

1. Säädä sahausjalkaa (5) niin, että terä leikkaa haluamaltasi syvyydeltä.

2. Kallista sahaa eteenpäin ja ole leikattavan materiaalin sahausjalan edessä.
3. Vedä alempi teräsuojus yläasentoon sisäänvetovipua käyttäen. Laske sahausjalan takaosaa, kunnes terän hampaat lähes koskettavat leikkauslinjaa.
4. Vapauta terän suojus (se koskettaa työkappaleeseen ja pysyy täten paikoillaan sen vapaata avaamista varten leikkauksen aloittamiseksi). Poista käsi suojuksen vivusta ja tartu tiukasti lisäkahvaan (4) kuvan M mukaisesti. Aseta keho ja käsivarsit niin, että ne vastaavat mahdolliseen takaisiniskuun.
5. Varmista, että terä ei kosketa leikkauspintaan ennen sahaamisen aloittamista.
6. Käynnistä moottori, anna sahan saavuttaa täysi nopeus ja laske sitten sahaa asteittain, kunnes sen sahausjalka on tasaisesti leikattavassa materiaalissa. Vie sahaa leikkauslinjaa pitkin, kunnes leikkaus on suoritettu.
7. Vapauta liipaisin ja anna terän pysähtyä kokonaan ennen kuin poistat terän materiaalista.
8. Toista yllä mainitut toimenpiteet jokaisen uuden leikkauksen kohdalla.

Halkaisu

Työkalussa on reunaohjain.

Halkaisussa leikataan leveämmät reunat kapeampiin liuskoihin – pituussuunnassa leikkaaminen. Käsin ohjaaminen on vaikeampaa tämän tyyppisessä sahauskessa ja reunaohjaimen käyttö on suositeltavaa.

Pölynpoisto



VAROITUS: Pölyjen sisäänhengitysvaara.

Henkilövahinkojen välttämiseksi tulee **AINA** käyttää hyväksyttyä hengityssuojaa.



VAROITUS: Käytä **AINA** puuta sahattaessa pölynpoistolaitetta, joka on suunniteltu pölynpoistoa koskevien sovellettavien direktiivien mukaan.

Tavallisimpien pölynimureiden letkut sopivat suoraan pölynpoistoaukkoon.

Työkalun mukana toimitetaan pölynpoistoportti (18).

Pölynpoistoportin avulla työkalu voidaan liittää ulkoiseen pölynpoistolaitteeseen.

Huolto

STANLEY FATMAX -työkalu on suunniteltu toimimaan mahdollisimman pitkän aikaa mahdollisimman vähällä huollolla. Oikea käsittely ja säännöllinen puhdistus varmistavat laitteen ongelmattoman toiminnan.

Laturi ei vaadi huoltoa, ainoastaan säännöllisen puhdistuksen.



Varoitus! Poista akku ennen työkalun huoltamista. Irrota laturi pistorasiasta ennen laturin puhdistamista.

- Puhdista sahan ja laturin ilma-aukot säännöllisesti pehmeällä harjalla tai kuivalla kangasliinalla.
- Puhdista moottorikotelo säännöllisesti kostealla liinalla. Älä käytä hiovia tai liuotinohjaisia puhdistusaineita.

Ympäristön suojeleminen



Toimita tämä laite kierrätykseen. Tällä symbolilla merkityjä tuotteita ja akkuja/paristoja ei saa hävittää normaalin kotitalousjätteen mukana.

Tuotteissa ja akkuissa on materiaaleja, jotka voidaan ottaa talteen tai kierrättää uudelleen käyttöä varten. Kierrätä sähkölaitteet ja akut paikallisten määräyksien mukaan. Lisätietoa on saatavilla osoitteessa www.2helpU.com

Tekniset tiedot

SFMC550		
Tulojännite	V_{dc}	18
Kuormittamaton nopeus	min^{-1}	5 000
Suurin sahausvyvyys	mm	65
Suurin leikkuusvyvyys 45°	mm	50
kullmalla		
Terän läpimitta	mm	190
Terän reikä	mm	30
Terän hampaan leveys	mm	1,8
Paino	kg	3,2
L_{pA} (äänipaine) 84,5 dB(A), epävarmuus (K) 3 dB(A)		
L_{WA} (äänitehotaso) 95,5 dB(A), epävarmuus (K) 3 dB(A)		
Tärinän kokonaisarvot (vektorisumma) standardin EN 62841 mukaisesti:		
Leikattaessa puuta ($a_{h,w}$) 1,4 m/s ² , epävarmuus (K) 1,5 m/s ²		
Laturi SFMCB11/SFMCB12/SFMCB14		
Tulojännite	V_{ac}	230
Lähtöjännite	V_{dc}	18
Virta	A	1,25/2,0/4,0
Akku SFMCB201/202/204/206		
Jännite	V_{dc}	18
Teho	Ah	1,5/2,0/4,0/6,0
Tyyppi		Litiumioni

EU-vaatimustenmukaisuusvakuutus

KONEDIREKTIIVI



SFMC550 Pyörösaha

STANLEY FATMAX ilmoittaa, että tuotteet, jotka on kuvattu kohdassa "Tekniset tiedot" ovat seuraavien direktiivien vaatimusten mukaisia:
EN62841-1:2015, EN62841-2-5:2014.

Nämä tuotteet täyttävät myös direktiivien 2006/42/EY, 2014/30/EU ja 2011/65/EU vaatimukset. Lisätietoja saa ottamalla yhteyden STANLEY FATMAX seuraavassa osoitteessa. Tiedot ovat myös käyttöoppaan takakannessa. Allekirjoittanut vastaa teknisten tietojen kokoamisesta tehden tämän ilmoituksen STANLEY FATMAXin puolesta.

Ed Higgins

Johtaja – Sähkötyökälu kuluttajille
STANLEY FATMAX Europe, Egide Walschaertsstraat 14-18,
2800 Mechelen, Belgia
25/11/2019

Takuu

STANLEY FATMAX on vakuuttunut tuotteidensa korkeasta laadusta ja tarjoaa kuluttajille 12 kuukauden takuun, joka astuu voimaan ostopäivänä. Kyseinen takuu ei heikennä mitenkään lakisäätteisiä oikeuksia, se ainoastaan täydentää niitä. Tämä takuu on voimassa kaikissa EU- ja ETA-maissa. Edellytyksenä takuun saamiselle on, että vaade täyttää STANLEY FATMAX -ehdot ja että ostaja toimittaa ostotositteen jälleenmyyjälle tai valtuutetulle huoltoilikeelle. STANLEY FATMAX 1 vuoden takuun ehdot ja lähimmän valtuutetun korjauspalvelun yhteystiedot ovat saatavilla osoitteessa www.2helpU.com tai ottamalla yhteyttä paikalliseen STANLEY FATMAX -toimipisteeseen tässä ohjekirjassa ilmoitettuihin osoitteisiin. Käy verkkosivuiltamme osoitteessa www.stanleytools.eu/3 ja rekisteröi uusi STANLEY FATMAX -tuotteesi saadaksesi tietoa uusista tuotteista ja erikoistarjouksista.

(Μετάφραση των πρωτότυπων οδηγιών)

ΕΛΛΗΝΙΚΑ

Προβλεπόμενη χρήση

Το πριόνι STANLEY FATMAX SFMC550 έχει σχεδιαστεί για κοπή ξύλου και προϊόντων ξύλου. Αυτό το εργαλείο προορίζεται για επαγγελματική και ιδιωτική, μη επαγγελματική χρήση.

Οδηγίες ασφαλείας

Γενικές προειδοποιήσεις ασφαλείας για ηλεκτρικά εργαλεία



Προειδοποίηση! Διαβάστε όλες τις προειδοποιήσεις ασφαλείας, τις οδηγίες, τις απεικονίσεις και τις προδιαγραφές που συνοδεύουν αυτό το ηλεκτρικό εργαλείο. Η μη τήρηση οποιασδήποτε από τις οδηγίες που αναφέρονται παρακάτω μπορεί να έχει ως αποτέλεσμα ηλεκτροπληξία, πυρκαγιά και/ή σοβαρό τραυματισμό.

Φυλάξτε όλες τις προειδοποιήσεις και τις οδηγίες για μελλοντική αναφορά. Ο όρος "ηλεκτρικό εργαλείο" που χρησιμοποιείται σε όλες τις παρακάτω προειδοποιήσεις, αναφέρεται είτε σε εργαλείο που λειτουργεί με ρεύμα δικτύου (ρεύματος - με καλώδιο) είτε σε εργαλείο που λειτουργεί με μπαταρία (μπαταρίας - χωρίς καλώδιο).

1. Ασφάλεια χώρου εργασίας

- Διατηρείτε τον χώρο εργασίας καθαρό και καλά φωτισμένο.** Οι απακτοποίητοι ή σκοτεινοί χώροι γίνονται αιτίες ατυχημάτων.
- Μη χρησιμοποιείτε ηλεκτρικά εργαλεία σε περιβάλλον όπου υπάρχει κίνδυνος έκρηξης, όπως με παρουσία εύφλεκτων υγρών, αερίων ή σκόνης.** Τα ηλεκτρικά εργαλεία δημιουργούν σπινθήρες, οι οποίοι μπορεί να προκαλέσουν ανάφλεξη στη σκόνη ή τις αναθυμιάσεις.
- Όταν χρησιμοποιείτε ηλεκτρικό εργαλείο, κρατάτε τα παιδιά και άλλα άτομα μακριά.** Η απόσταση της προσοχής μπορεί να σας προκαλέσει απώλεια του ελέγχου.

2. Ασφαλής χρήση ηλεκτρικού ρεύματος

- Τα φως των ηλεκτρικών εργαλείων πρέπει να ταυρίζουν στην πρίζα. Δεν επιτρέπεται με κανέναν τρόπο η μετασκευή του φως.** Μη χρησιμοποιείτε φως προσαρμογής με γειωμένα ηλεκτρικά εργαλεία. Τα φως που δεν έχουν υποστεί τροποποιήσεις και οι κατάλληλες πρίζες μειώνουν τον κίνδυνο ηλεκτροπληξίας.
- Αποφεύγετε την επαφή του σώματός σας με γειωμένες επιφάνειες όπως σωλήνες, σώματα καλοριφέρ, κουζίνες και ψυγεία.** Υπάρχει αυξημένος κίνδυνος ηλεκτροπληξίας αν το σώμα σας είναι γειωμένο.
- Μην εκθέτετε τα ηλεκτρικά εργαλεία σε βροχή ή υγρασία.** Η εισχώρηση νερού σε ηλεκτρικό εργαλείο αυξάνει τον κίνδυνο ηλεκτροπληξίας.
- Μην κακομεταχειρίζεστε το καλώδιο. Ποτέ μη χρησιμοποιήσετε το καλώδιο για να μεταφέρετε, να τραβήξετε ή να αποσυνδέσετε από την πρίζα το ηλεκτρικό εργαλείο. Κρατάτε το καλώδιο μακριά από θερμότητα, λάδια, αιχμηρά άκρα ή κινούμενα μέρη.** Τα καλώδια που έχουν υποστεί ζημιά ή είναι μπερδεμένα αυξάνουν τον κίνδυνο ηλεκτροπληξίας.
- Όταν χρησιμοποιείτε ηλεκτρικό εργαλείο σε εξωτερικό χώρο, να χρησιμοποιείτε καλώδιο επέκτασης κατάλληλο για εργασία σε εξωτερικούς χώρους.** Η χρήση καλωδίου κατάλληλου για εργασία σε εξωτερικούς χώρους μειώνει τον κίνδυνο ηλεκτροπληξίας.

f. Αν είναι αναπόφευκτη η χρήση ενός ηλεκτρικού εργαλείου σε συνθήκες υγρασίας, χρησιμοποιήστε μια διάταξη προστασίας από ρεύμα διαρροής (RCD). Η χρήση μιας διάταξης RCD μειώνει τον κίνδυνο ηλεκτροπληξίας.

3. Ατομική ασφάλεια

- Όταν χρησιμοποιείτε ηλεκτρικό εργαλείο, να είστε σε εγρήγορση, να συγκεντρώνεστε στην εργασία που κάνετε και να επιστρατεύετε την κοινή λογική. Μη χρησιμοποιείτε ηλεκτρικό εργαλείο όταν είστε κουρασμένος/ή υπό την επήρεια ναρκωτικών ουσιών, οινοπνεύματος ή φαρμακευτικής αγωγής.** Μια στιγμή απροσεξίας κατά τη χρήση ηλεκτρικών εργαλείων μπορεί να επιφέρει σοβαρό τραυματισμό.
- Χρησιμοποιείτε εξοπλισμό ατομικής προστασίας. Πάντα να φοράτε προστασία ματιών.** Ο εξοπλισμός προστασίας, όπως μάσκα κατά της σκόνης, αντιολισθητικά παπούτσια ασφαλείας, κράνος ή προστασία ακοής, όταν χρησιμοποιείται για τις κατάλληλες συνθήκες, θα μειώσει τους τραυματισμούς και τις σωματικές βλάβες.
- Αποτρέψτε την ακούσια ενεργοποίηση. Βεβαιωθείτε ότι ο διακόπτης βρίσκεται στη θέση απενεργοποίησης πριν συνδέσετε το εργαλείο στην πηγή ρεύματος και/ή πριν τοποθετήσετε το πακέτο μπαταρίας, πριν πάρετε στα χέρια σας και πριν μεταφέρετε το εργαλείο.** Η μεταφορά ηλεκτρικών εργαλείων με το δάκτυλο στο διακόπτη ή η σύνδεση εργαλείων στην πηγή ρεύματος με το διακόπτη στη θέση ενεργοποίησης ενέχουν κίνδυνο ατυχήματος.
- Αφαιρέστε κάθε κλειδί ρύθμισης ή μηχανικό κλειδί πριν ενεργοποιήσετε το ηλεκτρικό εργαλείο.** Αν ένα μηχανικό κλειδί ή κλειδί ρύθμισης ξεχαστεί συνδεδεμένο σε περιστρεφόμενο εξάρτημα του ηλεκτρικού εργαλείου, αυτό μπορεί να έχει ως αποτέλεσμα τραυματισμό ατόμων.
- Μην τεντώνετε υπερβολικά. Διατηρείτε πάντα σταθερή στήριξη στα πόδια σας και καλή ισορροπία.** Έτσι μπορείτε να έχετε καλύτερο έλεγχο του ηλεκτρικού εργαλείου σε μη αναμενόμενες καταστάσεις.
- Να είστε ενδεδυμένοι κατάλληλα. Μη φοράτε ρούχα με φαρδιά εφαρμογή ή κοσμήματα. Κρατάτε τα μαλλιά, τα ρούχα και τα γάντια σας μακριά από κινούμενα μέρη.** Τα ρούχα με φαρδιά εφαρμογή, τα κοσμήματα και τα μακριά μαλλιά μπορούν να πιαστούν σε κινούμενα μέρη.
- Αν παρέχονται διατάξεις για τη σύνδεση εξοπλισμού απομάκρυνσης και συλλογής της σκόνης, να βεβαιώνετε ότι αυτές έχουν συνδεθεί και χρησιμοποιούνται σωστά.**

Η χρήση διατάξεων συλλογής της σκόνης μπορεί να μειώσει τους κινδύνους που προέρχονται από τη σκόνη.

- h. Μην αφήνετε την εξοικείωση που έχετε αποκτήσει από τη συχνή χρήση εργαλείων να σας επιτρέψει να εφησυχάσετε ώστε να αγνοείτε τις αρχές ασφαλούς χρήσης των εργαλείων.** Μια απρόσεκτη ενέργεια μπορεί να προκαλέσει βαρύ τραυματισμό μέσα σε κλάσματα του δευτερολέπτου.
- 4. Χρήση και φροντίδα ηλεκτρικών εργαλείων**
- a. Μην υπερφορτώνετε το ηλεκτρικό εργαλείο.** Χρησιμοποιείτε το σωστό ηλεκτρικό εργαλείο για την εφαρμογή σας.
Το σωστό ηλεκτρικό εργαλείο θα εκτελέσει την εργασία καλύτερα και ασφαλέστερα, με την ένταση χρήσης για την οποία σχεδιάστηκε.
- b. Μη χρησιμοποιείτε το ηλεκτρικό εργαλείο αν ο διακόπτης του δεν το ενεργοποιεί και απενεργοποιεί.** Οποιοδήποτε ηλεκτρικό εργαλείο του οποίου η λειτουργία δεν μπορεί να ελεγχθεί με το διακόπτη είναι επικίνδυνο και πρέπει να επισκευαστεί.
- c. Αποσυνδέστε το φως από την πηγή ρεύματος και/ή αφαιρέστε το πακέτο μπαταρίας, αν είναι αποσπώμενο, από το ηλεκτρικό εργαλείο πριν πραγματοποιήσετε οποιοδήποτε ρυθμίσεις, αλλάξετε αξεσουάρ, ή αποθηκεύσετε ηλεκτρικά εργαλεία.** Τέτοια προληπτικά μέτρα ασφαλείας μειώνουν το κίνδυνο αθέλητης εκκίνησης του ηλεκτρικού εργαλείου.
- d. Να φυλάσσετε μακριά από παιδιά τα ηλεκτρικά εργαλεία που δεν χρησιμοποιείτε και μην αφήνετε να χρησιμοποιήσουν ηλεκτρικό εργαλείο άτομα που δεν είναι εξοικειωμένα με αυτό ή άτομα που δεν έχουν διαβάσει αυτές τις οδηγίες χρήσης.** Τα ηλεκτρικά εργαλεία είναι επικίνδυνα στα χέρια μη εκπαιδευμένων χρηστών.
- e. Συντηρείτε τα ηλεκτρικά εργαλεία και τα αξεσουάρ.** Ελέγχετε για προβλήματα ευθυγράμμισης ή για μάγκωμα των κινούμενων εξαρτημάτων, θραύση εξαρτημάτων, καθώς και για οποιοδήποτε άλλο πρόβλημα μπορεί να επηρεάσει τη λειτουργία των ηλεκτρικών εργαλείων. Αν το ηλεκτρικό εργαλείο έχει υποστεί ζημιά, φροντίστε να επισκευαστεί πριν το χρησιμοποιήσετε. Η ανεπαρκής συντήρηση των ηλεκτρικών εργαλείων αποτελεί αιτία πολλών ατυχημάτων.
- f. Διατηρείτε τα κοπτικά εργαλεία κοφτερά και καθαρά.** Τα κατάλληλα συντηρημένα κοπτικά εργαλεία με αιχμηρά άκρα κοπής έχουν μικρότερες πιθανότητες να μαγκώσουν και ελέγχονται ευκολότερα.

- g. Να χρησιμοποιείτε τα ηλεκτρικά εργαλεία, τα αξεσουάρ, τις μύτες εργαλείων κλπ. σύμφωνα με τις παρούσες οδηγίες, λαμβάνοντας υπόψη σας τις συνθήκες εργασίας και την εργασία που θέλετε να εκτελέσετε.**

Η χρήση του ηλεκτρικού εργαλείου για εργασίες διαφορετικές από τις προβλεπόμενες θα μπορούσε να οδηγήσει σε επικίνδυνη κατάσταση.

- h. Διατηρείτε τις λαβές και τις επιφάνειες κρατήματος στεγνές, καθαρές και απαλλαγμένες από λάδι και γράσο.** Οι ολισθηρές λαβές και επιφάνειες κρατήματος δεν επιτρέπουν τον ασφαλή χειρισμό και έλεγχο του εργαλείου σε μη αναμενόμενες καταστάσεις.
- 5. Χρήση και φροντίδα του εργαλείου μπαταρίας (χρησιμοποιείται μόνο για εργαλεία μπαταρίας)**
- a. Να επαναφορτίσετε μόνο με τον φορτιστή που καθορίζει ο κατασκευαστής.** Ένας φορτιστής που είναι κατάλληλος για ένα τύπο πακέτου μπαταρίας μπορεί να δημιουργήσει κίνδυνο πυρκαγιάς όταν χρησιμοποιείται με άλλο πακέτο μπαταρίας.
- b. Χρησιμοποιείτε τα ηλεκτρικά εργαλεία αποκλειστικά και μόνο με τα καθοριζόμενα πακέτα μπαταρίας.** Η χρήση άλλων πακέτων μπαταρίας μπορεί να προκαλέσει κίνδυνο τραυματισμού και πυρκαγιάς.
- c. Όταν ένα πακέτο μπαταρίας δεν χρησιμοποιείται, μην το πλησιάζετε σε μεταλλικά αντικείμενα όπως συνδετήρες, κέρματα, κλειδιά, καρφιά, βίδες ή άλλα μικρά μεταλλικά αντικείμενα που μπορούν να βραχυκυκλώσουν τους δύο ακροδέκτες του.** Η βραχυκύκλωση των ακροδεκτών της μπαταρίας μπορεί να προκαλέσει εγκαύματα ή πυρκαγιά.
- d. Αν η μπαταρία υποστεί κακομεταχείριση, μπορεί να διαρρεύσει υγρό. Αποφύγετε την επαφή. Αν κατά λάθος έρθετε σε επαφή, ξεπλύνετε με νερό. Αν το υγρό έρθει σε επαφή με τα μάτια, ζητήστε επιπλέον και ιατρική βοήθεια.** Το υγρό που εξέρχεται από την μπαταρία μπορεί να προκαλέσει ερεθισμούς ή εγκαύματα.
- e. Μη χρησιμοποιήσετε πακέτο μπαταρίας ή εργαλείο που έχει υποστεί ζημιά ή τροποποίηση.** Οι μπαταρίες που έχουν υποστεί ζημιά ή τροποποίηση μπορεί να έχουν απρόβλεπτη συμπεριφορά, με αποτέλεσμα φωτιά, έκρηξη ή κίνδυνο τραυματισμού.
- f. Μην εκθέσετε ένα πακέτο μπαταρίας ή εργαλείο σε φωτιά ή υπερβολική θερμοκρασία.** Η έκθεση σε φωτιά ή σε θερμοκρασία πάνω από 130 °C μπορεί να προκαλέσει έκρηξη.

g. Τηρείτε όλες τις οδηγίες φόρτισης και μη φορτίζετε το πακέτο μπαταρίας ή το εργαλείο εκτός των ορίων θερμοκρασίας που ορίζονται στις προδιαγραφές. Η ακατάλληλη φόρτιση ή η φόρτιση σε θερμοκρασίες εκτός των προβλεπόμενων ορίων μπορεί να προξενήσει ζημιά στην μπαταρία και να αυξήσει τον κίνδυνο φωτιάς.

6. Σέρβις

- Το σέρβις του ηλεκτρικού σας εργαλείου πρέπει να αναλαμβάνει έμπειρος τεχνικός που χρησιμοποιεί μόνο γνήσια ανταλλακτικά. Έτσι θα εξασφαλίσετε τη διατήρηση της ασφάλειας του ηλεκτρικού εργαλείου.
- Ποτέ μην κάνετε σέρβις σε πακέτα μπαταρίας που έχουν υποστεί ζημιά. Το σέρβις των πακέτων μπαταριών πρέπει να γίνεται μόνο από τον κατασκευαστή ή από εξουσιοδοτημένους παρόχους σέρβις.

Οδηγίες ασφαλείας για όλα τα πριόνια

Διαδικασίες κοπής

- ⚠ ΚΙΝΔΥΝΟΣ:** Κρατάτε τα χέρια σας μακριά από την περιοχή κοπής και τη λεπίδα. Κρατάτε το δεύτερο χέρι σας πάνω στη βοηθητική λαβή ή στο περίβλημα του μοτέρ. Αν και τα δύο σας χέρια κρατούν το πριόνι, δεν μπορούν να κοπούν από τη λεπίδα.
- Μην περνάτε κανένα μέρος του σώματός σας κάτω από το αντικείμενο εργασίας. Ο προφυλακτήρας δεν μπορεί να σας προστατέψει από τη λεπίδα κάτω από το αντικείμενο εργασίας.
- Ρυθμίζετε το βάθος κοπής σύμφωνα με το πάχος του αντικείμενου εργασίας. Κάτω από το αντικείμενο εργασίας θα πρέπει να φαίνεται λιγότερο από ένα ολόκληρο δόντι της λεπίδας.
- Ποτέ μη συγκρατείτε το αντικείμενο εργασίας στα χέρια σας ή ανάμεσα στα πόδια σας κατά τη διάρκεια της κοπής. Στερεώνετε το αντικείμενο εργασίας σε ένα σταθερό υπόβαθρο. Είναι σημαντικό να υποστηρίζετε σωστά το τεμάχιο εργασίας για ελαχιστοποίηση της έκθεσης του σώματος, του μαγκώματος της λεπίδας ή της απώλειας ελέγχου.
- Κρατάτε το ηλεκτρικό εργαλείο από μονωμένες επιφάνειες λαβής όταν εκτελείτε μια εργασία όπου το εργαλείο κοπής μπορεί να έρθει σε επαφή με αθέατα καλώδια. Τυχόν επαφή με καλώδιο υπό τάση θα θέσει υπό τάση και τα εκτεθειμένα μεταλλικά μέρη του ηλεκτρικού εργαλείου και θα μπορούσε να προκαλέσει ηλεκτροπληξία του χειριστή.

f. Όταν εκτελείτε διαμήκη κοπή, πάντα χρησιμοποιείτε οδηγό κοπής ή έναν κανόνα. Έτσι αυξάνεται η ακρίβεια της κοπής και μειώνεται η πιθανότητα μαγκώματος της λεπίδας.

g. Πάντα χρησιμοποιείτε λεπίδες με σωστό μέγεθος και σχήμα οπών άξονα (σχήματος διαμαντιού ή κύκλου). Λεπίδες που δεν ταιριάζουν με τα υλικά στερήσεως στο πριόνι θα κινούνται εκτός κεντραρίσματος, προκαλώντας απώλεια ελέγχου.

h. Ποτέ μη χρησιμοποιείτε ροδέλες ή μπουλόνη λεπίδας που έχουν υποστεί ζημιά ή είναι ακατάλληλα. Οι ροδέλες και το μπουλόνη της λεπίδας έχουν σχεδιαστεί ειδικά για το πριόνι σας, για βέλτιστη απόδοση και ασφάλεια λειτουργίας.

Περαιτέρω Οδηγίες ασφαλείας για όλα τα πριόνια

Αιτίες της ανάδρασης και σχετικές προειδοποιήσεις

- Η ανάδραση είναι η απότομη αντίδραση σε λεπίδα πριονιού που έχει σφηνώσει, μαγκώσει ή ευθυγραμμιστεί λάθος, με αποτέλεσμα ανύψωση του πριονιού έξω από το αντικείμενο εργασίας προς την κατεύθυνση του χειριστή.
- Όταν η λεπίδα έχει σφηνώσει ή μαγκώσει λόγω κλεισίματος της εντομής, η λεπίδα σταματά να περιστρέφεται και η αντίδραση του μοτέρ κατευθύνει τη μονάδα ταχύτητα προς τα πίσω στο χειριστή.
- Αν η λεπίδα στραβώσει ή ευθυγραμμιστεί λάθος μέσα στην εντομή, τα δόντια στο πίσω άκρο της λεπίδας μπορεί να εισχωρήσουν στην πάνω επιφάνεια του ξύλου με αποτέλεσμα η λεπίδα να βγει από την εντομή και να αναπηδήσει πίσω προς το χειριστή.

Η ανάδραση είναι το αποτέλεσμα κακής χρήσης του πριονιού και/ή λανθασμένων διαδικασιών ή συνθηκών χειρισμού και μπορεί να αποφευχθεί με τη λήψη κατάλληλων μέτρων προφύλαξης, όπως αναφέρεται πιο κάτω:

- Κρατήστε το εργαλείο γερά και με τα δύο χέρια σας και τοποθετήστε τους βραχιόνες σας έτσι ώστε να αντιδρούν στις δυνάμεις ανάδρασης. Τοποθετήστε το σώμα σας σε μία από τις δύο πλευρές του πριονιού, αλλά όχι σε ευθεία με τη λεπίδα. Η ανάδραση θα μπορούσε να προκαλέσει αναπήδηση του πριονιού προς τα πίσω, αλλά οι δυνάμεις ανάδρασης μπορούν να ελεγχθούν από το χειριστή, αν ληφθούν κατάλληλα μέτρα προφύλαξης.
- Αν μαγκώσει η λεπίδα, ή σε περίπτωση διακοπής της κοπής για οποιονδήποτε λόγο, αφήστε τη σκανδάλη και κρατήστε το πριόνι ακίνητο μέσα στο αντικείμενο μέχρι να σταματήσει τελείως η λεπίδα. Ποτέ μην επιχειρήσετε να αφαιρέσετε το πριόνι από το τεμάχιο εργασίας ή να τραβήξετε προς τα πίσω το πριόνι ενώ κινείται η λεπίδα, αλλιώς μπορεί να προκληθεί ανάδραση.

Διερευνήστε και πάρτε διορθωτικά μέτρα για να απαλειψετε το αίτιο του μαγκώματος της λεπίδας.

- c. **Όταν επανεκκινείτε τη λειτουργία ενός πριονιού μέσα στο αντικείμενο εργασίας, κεντράρετε τη λεπίδα πριονιού στην εντομή και ελέγξτε ότι τα δόντια του πριονιού δεν έχουν εισχωρήσει στο υλικό.** Αν η λεπίδα πριονιού μαγκώσει, μπορεί να κινηθεί προς τα πάνω ή να τιναχτεί από το αντικείμενο εργασίας καθώς επανεκκινάτε το πριόνι.
- d. **Υποστηρίζετε μεγάλα φύλλα υλικού για να ελαχιστοποιήσετε τον κίνδυνο να σφηνώσει η λεπίδα και να προκληθεί ανάδραση.** Τα μεγάλα φύλλα τείνουν να κάμπτονται υπό το ίδιο τους το βάρος. Υποστηρίγματα πρέπει να τοποθετούνται κάτω από το φύλλο και στις δύο πλευρές, κοντά στη γραμμική κοπή και κοντά στην άκρη του φύλλου.
- e. **Μη χρησιμοποιείτε λεπίδες που είναι στομωμένες ή έχουν υποστεί ζημιά.** Οι απρόχιστες ή ακατάλληλα ρυθμισμένες λεπίδες παράγουν στενή εντομή, η οποία προκαλεί υπερβολική τριβή, μάγκωμα της λεπίδας και ανάδραση.
- f. **Οι μοχλοί ασφάλισης ρύθμισης βάθους λεπίδας και φαλτοσγωνιάς πρέπει να είναι σφιγμένοι και καλά στερεωμένοι πριν κάνετε μια κοπή.** Αν η ρύθμιση της λεπίδας αλλάξει κατά την κοπή, μπορεί να προκληθεί μάγκωμα και ανάδραση.
- g. **Να προσέχετε πάρα πολύ κατά την κοπή μέσα σε τοίχους ή άλλες επιφάνειες που δεν υπάρχει ορατότητα.** Η προεξέχουσα λεπίδα μπορεί να κόψει αντικείμενα που μπορούν να προκαλέσουν ανάδραση.

Οδηγίες ασφαλείας για πριόνια με περιστρεφόμενο προφυλακτήρα λεπίδας

Λειτουργία κάτω προφυλακτήρα

- a. **Ελέγχετε πριν από κάθε χρήση ότι κλείνει σωστά ο κάτω προφυλακτήρας.** Μη χρησιμοποιήσετε το πριόνι αν ο κάτω προφυλακτήρας δεν κινείται ελεύθερα και δεν κλείνει άμεσα. Ποτέ μη συσφίξετε ή δέσετε τον κάτω προφυλακτήρα στην ανοικτή θέση. Εάν κατά λάθος πέσει το δισκοπρίονο, ενδέχεται να στραβώσει ο κάτω προφυλακτήρας. Ανυψώστε τον κάτω προφυλακτήρα με τη λαβή ανάσχυσης και βεβαιωθείτε ότι κινείται ελεύθερα και δεν έρχεται σε επαφή με τη λεπίδα ή με οποιοδήποτε άλλο μέρος του εργαλείου, σε όλες τις γωνίες και όλα τα βάθη κοπής.
- b. **Ελέγξτε τη λειτουργία του ελατηρίου του κάτω προφυλακτήρα.** Αν ο προφυλακτήρας και το ελατήριο δεν λειτουργούν σωστά, πρέπει να επισκευαστούν πριν τη χρήση.

Ο κάτω προφυλακτήρας μπορεί να λειτουργεί βραδυκίνητα λόγω ζημιάς σε εξαρτήματα, κολλωδών αποθέσεων ή συσώρευσης υπολειμμάτων.

- c. **Ο κάτω προφυλακτήρας μπορεί να αποσύρεται χειροκίνητα μόνο για ειδικές κοπές όπως “κοπές με βύθισμα” και “σύνθετες κοπές”.** Ανυψώστε τον κάτω προφυλακτήρα από τη λαβή ανάσχυσης και μόλις η λεπίδα εισέλθει στο υλικό, ο κάτω προφυλακτήρας πρέπει να απελευθερωθεί. Για όλες τις άλλες κοπές, ο κάτω προφυλακτήρας θα πρέπει να λειτουργεί αυτόματα.
- d. **Πάντα να προσέχετε ο κάτω προφυλακτήρας να καλύπτει τη λεπίδα πριν αφήσετε το πριόνι στον πάγκο ή το δάπεδο.** Μια απροσάτευτη, ελεύθερα κινούμενη λεπίδα θα προκαλέσει κίνηση του πριονιού προς τα πίσω, κόβοντας οτιδήποτε στην πορεία του. Να έχετε υπόψη σας το χρόνο που χρειάζεται για να σταματήσει η λεπίδα μετά την απελευθέρωση του διακόπτη.

Πρόσθετες οδηγίες ασφαλείας για δισκοπρίονα

- **Φοράτε προστατευτικά ακοής.** Η έκθεση σε θόρυβο μπορεί να προκαλέσει απώλεια ακοής.
- **Φοράτε μάσκα προστασίας από σκόνη.** Η έκθεση σε σωματίδια σκόνης μπορεί να προκαλέσει δυσκολία στην αναπνοή και ενδεχομένως σωματική βλάβη.
- **Μη χρησιμοποιείτε λεπίδες μεγαλύτερης ή μικρότερης διαμέτρου από τη συνιστώμενη.** Για τη σωστή διαβάθμιση της λεπίδας ανατρέξτε στα τεχνικά χαρακτηριστικά. Χρησιμοποιείτε μόνο τις λεπίδες που προβλέπονται στο παρόν εγχειρίδιο, που συμμορφώνονται με το πρότυπο EN 847-1.
- **Χρησιμοποιείτε μόνο λεπίδες πριονιού που έχουν σήμανση ταχύτητας ίσης ή υψηλότερης από την ταχύτητα που επισημαίνεται πάνω στο εργαλείο.**
- **Αποφεύγετε να υπερθερμαίνονται οι μύτες των λεπίδων.**
- **Εγκαταστήστε το στόμιο εξαγωγής σκόνης πάνω στο πριόνι πριν τη χρήση.**
- **Ποτέ μη χρησιμοποιείτε λειαντικούς τροχούς κοπής.**
- **Μη χρησιμοποιείτε προσαρτήματα τροφοδοσίας νερού.**
- **Χρησιμοποιείτε σφιγκτήρες ή άλλο πρακτικό τρόπο για να στερεώσετε και να στηρίξετε το αντικείμενο εργασίας σε σταθερό υπόβαθρο.** Αν κρατάτε το αντικείμενο εργασίας με το χέρι σας ή κόντρα στο σώμα σας, αυτό δεν είναι σταθερό και μπορεί να προκληθεί απώλεια ελέγχου.

Υπολειπόμενοι κίνδυνοι

Οι κίνδυνοι που ακολουθούν είναι εγγενείς στη χρήση πριονιών:

- Τραυματισμοί λόγω επαφής με περιστρεφόμενα μέρη.

Ακόμα και με την τήρηση των σχετικών κανονισμών ασφαλείας και τη χρήση μέσων προστασίας, ορισμένοι κίνδυνοι δεν είναι δυνατό να εξαλειφθούν. Αυτοί είναι:

- Βλάβη της ακοής.
- Κίνδυνος ατυχημάτων από τα μη καλυπτόμενα μέρη της περιστρεφόμενης λεπίδας πριονιού.
- Κίνδυνος τραυματισμού κατά την αλλαγή της λεπίδας.
- Κίνδυνος σύνθλιψης των δακτύλων κατά το άνοιγμα των προφυλακτήρων.
- Κίνδυνοι για την υγεία προκαλούνται από την εισπνοή σκόνης που παράγεται κατά την κοπή ξύλου, ειδικά βελανιδιάς, οξιάς και MDF.

Ασφάλεια τρίτων

- Αυτό το εργαλείο δεν προορίζεται για χρήση από άτομα (στα οποία περιλαμβάνονται και τα παιδιά) με μειωμένες φυσικές, αντιληπτικές ή διανοητικές ικανότητες ή άτομα χωρίς εμπειρία και γνώσεις, παρά μόνο εφόσον επιτηρούνται ή τους έχουν δοθεί οδηγίες σχετικά με τη χρήση του εργαλείου από άτομο υπεύθυνο για την ασφάλειά τους.
- Τα παιδιά πρέπει να επιτηρούνται για να διασφαλίζεται ότι δεν παίζουν με το εργαλείο.

Κραδασμοί

Η δηλωμένη τιμή εκπομπής κραδασμών που αναφέρεται στα τεχνικά χαρακτηριστικά και τη δήλωση συμμόρφωσης έχει μετρηθεί σύμφωνα με τυποποιημένη μέθοδο δοκιμής που προβλέπεται από το πρότυπο EN62841 και μπορεί να χρησιμοποιηθεί για τη σύγκριση ενός εργαλείου με ένα άλλο. Η δηλωμένη τιμή εκπομπής κραδασμών μπορεί επίσης να χρησιμοποιηθεί σε έναν προκαταρκτικό προσδιορισμό της έκθεσης σε κραδασμούς.



Προειδοποίηση! Η τιμή εκπομπής κραδασμών κατά την πραγματική χρήση του ηλεκτρικού εργαλείου μπορεί να διαφέρει από τη δηλωμένη τιμή, ανάλογα με τον τρόπο που χρησιμοποιείται το εργαλείο. Το επίπεδο κραδασμών μπορεί να αυξηθεί πάνω από το επίπεδο που έχει δηλωθεί.

Κατά τον προσδιορισμό της έκθεσης σε κραδασμούς για τον καθορισμό των απαιτούμενων μέτρων ασφαλείας σύμφωνα με την οδηγία 2002/44/ΕΚ για την προστασία προσώπων που χρησιμοποιούν συχνά ηλεκτρικά εργαλεία στην εργασία τους, μια προσεγγιστική εκτίμηση της έκθεσης σε κραδασμούς πρέπει να λαμβάνει υπόψη τις πραγματικές συνθήκες χρήσης και τον τρόπο χρήσης του εργαλείου, συμπεριλαμβανομένων και όλων των επιμέρους τμημάτων του κύκλου εργασίας, όπως τα χρονικά διαστήματα που το εργαλείο ήταν εκτός λειτουργίας και τα διαστήματα λειτουργίας χωρίς φορτίο, επιπλέον του χρόνου πίεσης της σκανδάλης.

Ετικέτες πάνω στο εργαλείο

Το εργαλείο φέρει τα παρακάτω προειδοποιητικά σύμβολα μαζί με τον κωδικό ημερομηνίας:



Προειδοποίηση! Για να μειωθεί ο κίνδυνος τραυματισμού, ο χρήστης πρέπει να διαβάσει το χειρίδιο οδηγιών.

Συμπληρωματικές οδηγίες ασφαλείας για τις μπαταρίες και τους φορτιστές

Μπαταρίες

- Ποτέ μην επιχειρήσετε να ανοίξετε το προϊόν για κανένα λόγο.
- Μην εκθέτετε την μπαταρία σε νερό.
- Μη φυλάσσετε την μπαταρία σε χώρους όπου η θερμοκρασία μπορεί να υπερβεί τους 40 °C.
- Η φόρτιση πρέπει να γίνεται μόνο σε θερμοκρασίες περιβάλλοντος μεταξύ 10 °C και 40 °C.
- Φορτίζετε μόνο με τη χρήση του φορτιστή που παρέχεται με το εργαλείο.
- Όταν απορρίπτετε τις μπαταρίες, ακολουθήστε τις οδηγίες που δίνονται στην ενότητα "Προστασία του περιβάλλοντος".



Μην επιχειρήσετε να φορτίσετε κατεστραμμένες μπαταρίες.

Φορτιστές

- Χρησιμοποιείτε τον φορτιστή σας μόνο για τη φόρτιση της μπαταρίας του εργαλείου το οποίο συνοδεύει. Αν χρησιμοποιηθεί για άλλες μπαταρίες, αυτές μπορεί να εκραγούν, προκαλώντας τραυματισμό και ζημιές.
- Μην επιχειρείτε να φορτίσετε μη επαναφορτιζόμενες μπαταρίες.
- Φροντίζετε να αντικαθίστανται άμεσα τα καλώδια που παρουσιάζουν βλάβη.
- Μην εκθέτετε το φορτιστή σε νερό.
- Μην ανοίγετε το φορτιστή.
- Μην επεμβαίνετε στο φορτιστή.



Ο φορτιστής προορίζεται για χρήση σε εσωτερικούς χώρους μόνο.

Ασφαλής χρήση ηλεκτρικού ρεύματος



Αυτός ο φορτιστής φέρει διπλή μόνωση, επομένως δεν απαιτείται αγωγός γείωσης. Πάντα να ελέγχετε ότι η παροχή ρεύματος αντιστοιχεί στην τάση που αναφέρεται στην πινακίδα τεχνικών χαρακτηριστικών.

- Αν το καλώδιο ρεύματος έχει υποστεί ζημιά, πρέπει να αντικατασταθεί από τον κατασκευαστή ή εξουσιοδοτημένο κέντρο σέρβις STANLEY FATMAX, για την αποφυγή κινδύνου.

Περιγραφή (Εικ. Α)

ΠΡΟΕΙΔΟΠΟΙΗΣΗ: Ποτέ μην τροποποιήσετε το ηλεκτρικό εργαλείο ή οποιοδήποτε μέρος του. Θα μπορούσε να προκαλέσει ζημιά ή τραυματισμός.

1. Διακόπτης ενεργοποίησης/απενεργοποίησης (on/off)
2. Διακόπτης απασφάλισης
3. Κύρια λαβή
4. Δευτερεύουσα λαβή
5. Πέδιλο
6. Λεπίδα πριονιού
7. Κάτω προφυλακτήρας λεπίδας
8. Μοχλός ανάσχυσης κάτω προφυλακτήρα
9. Μοχλός ρύθμισης φαιλτοσκοπής
10. Γωνία λοξής κοπής
11. Εξωτερική ροδέλα σφιγκτήρα λεπίδας
12. Μπουλόνι συγκράτησης λεπίδας
13. Μοχλός ρύθμισης βάθους
14. Κομπι ασφάλισης άξονα
15. Μπαταρία
16. Κομπι απελευθέρωσης μπαταρίας
17. Κλειδί Άλεν
18. Στόμιο εξαγωγής σκόνης



ΠΡΟΕΙΔΟΠΟΙΗΣΗ: Μην κόβετε με αυτό το πριόνι μέταλλα, τοιχοποιία, υαλί, κεραμίδια ή πλαστικό. Μια στομωμένη λεπίδα θα προκαλέσει αργή και μη αποδοτική κοπή με αποτέλεσμα υπερφόρτωση του μοτέρ του πριονιού και υπερβολική δημιουργία σκληθρών, και θα μπορούσε να αυξήσει την πιθανότητα ανάδρασης (κλωστήματος).

- **ΜΗ** χρησιμοποιήσετε κανενός είδους τροχούς λείανσης.
- Χρησιμοποιείτε μόνο λεπίδες σχεδιασμένες για κοπή ξύλου.



ΠΡΟΕΙΔΟΠΟΙΗΣΗ: Η κοπή ξύλου που καλύπτεται από φυτικό χυμό και άλλων υλικών μπορεί να προκαλέσει τη συσσώρευση λιωμένων ουσιών στις μύτες των λεπίδων και στον κορμό της λεπίδας πριονιού, αυξάνοντας τον κίνδυνο υπερθέρμανσης και μαγκώματος της λεπίδας κατά τη διάρκεια της κοπής.

ΜΗΝ χρησιμοποιείτε υπό υγρές συνθήκες ή με την παρουσία εύφλεκτων υγρών ή αερίων.

ΜΗΝ αφήνετε παιδιά να έρθουν σε επαφή με το εργαλείο. Απαιτείται επίβλεψη όταν το εργαλείο το χρησιμοποιούν άπειροι χρήστες.

ΜΗ χρησιμοποιείτε το προϊόν υπό υγρές συνθήκες ή με την παρουσία εύφλεκτων υγρών ή αερίων.

ΜΗΝ αφήνετε παιδιά να έρθουν σε επαφή με το εργαλείο. Απαιτείται επίβλεψη όταν το εργαλείο το χρησιμοποιούν άπειροι χρήστες.

- **Μικρά παιδιά και εξασθενημένα άτομα.** Αυτή η συσκευή δεν προορίζεται για χρήση χωρίς επίβλεψη από μικρά παιδιά ή εξασθενημένα άτομα.

- Το προϊόν αυτό δεν προορίζεται για χρήση από άτομα (περιλαμβανομένων παιδιών) που έχουν μειωμένες σωματικές, αισθητηριακές ή διανοητικές ικανότητες, ή έλλειψη εμπειρίας, γνώσης ή δεξιοτήτων, εκτός αν τα άτομα αυτά επιβλέπονται από άτομο υπεύθυνο για την ασφάλειά τους. Τα παιδιά δεν πρέπει να μένουν ποτέ μόνα τους με αυτό το προϊόν.

Τοποθέτηση και αφαίρεση της μπαταρίας (εικ. Β)

- ◆ Για να τοποθετήσετε την μπαταρία (15), ευθυγραμμίστε την με την υποδοχή στο εργαλείο. Ολισθήστε την μπαταρία μέσα στην υποδοχή και σπρώξτε την μέχρι να ασφαλίσει στη θέση της.
- ◆ Για να αφαιρέσετε τη μπαταρία, πατήστε τα κουμπιά απασφάλισης (16) και ταυτόχρονα τραβήξτε τη μπαταρία έξω από την υποδοχή.

Χρήση

ΠΡΟΕΙΔΟΠΟΙΗΣΗ: Αφήστε το εργαλείο να λειτουργήσει με το δικό του ρυθμό. Μην το υπερφορτώνετε. Το εργαλείο αυτό μπορεί να χρησιμοποιηθεί με το δεξί ή με το αριστερό χέρι.

Φόρτιση της μπαταρίας (Εικ. Β)

Η μπαταρία πρέπει να φορτίζεται πριν από την πρώτη χρήση και όποτε αδυνατεί να παρέχει επαρκή ισχύ σε εργασίες που παλιά ήταν εύκολη η εκτέλεσή τους. Η μπαταρία μπορεί να θερμαίνεται κατά τη φόρτιση. Κάτι τέτοιο είναι φυσιολογικό και δεν υποδηλώνει πρόβλημα.



ΠΡΟΕΙΔΟΠΟΙΗΣΗ: Μη φορτίζετε την μπαταρία σε θερμοκρασίες περιβάλλοντος κάτω από 10 °C ή πάνω από 40 °C. Η συνιστώμενη θερμοκρασία φόρτισης είναι περίπου 24 °C.

Σημείωση: Ο φορτιστής δε θα φορτίσει μια μπαταρία με θερμοκρασία κυψέλης κάτω από περίπου 10 °C ή πάνω από 40 °C. Η μπαταρία θα πρέπει να παραμείνει στο φορτιστή και αυτός θα αρχίσει να τη φορτίζει αυτόματα μόλις η θερμοκρασία κυψέλης αυξηθεί ή μειωθεί αντίστοιχα.

- ◆ Για να φορτίσετε την μπαταρία (15), τοποθετήστε την στο φορτιστή (24). Η μπαταρία μπορεί να τοποθετηθεί στο φορτιστή μόνο με έναν τρόπο. Μην ασκείτε άσκοπη δύναμη. Βεβαιωθείτε ότι η μπαταρία είναι τοποθετημένη σωστά στο φορτιστή.
- ◆ Συνδέστε το φορτιστή και συνδέστε στο ρεύμα. Η ενδεικτική λυχνία φόρτισης (25) θα αναβοσβήσει. Η φόρτιση έχει ολοκληρωθεί όταν η ενδεικτική λυχνία φόρτισης (25) ανάβει σταθερά. Ο φορτιστής και η μπαταρία μπορεί να μείνουν συνδεδεμένα για αόριστο χρονικό διάστημα. Η ενδεικτική λυχνία LED θα ανάβει καθώς ο φορτιστής αναπληρώνει περιστασιακά το φορτίο της μπαταρίας.

- ◆ Φορτίζετε τις αποφορτισμένες μπαταρίες εντός 1 εβδομάδας. Η διάρκεια ζωής μιας μπαταρίας μειώνεται σημαντικά αν αποθηκευτεί σε αποφορτισμένη κατάσταση.

Παραμονή της μπαταρίας στο φορτιστή

Ο φορτιστής και το πακέτο μπαταρίας μπορούν να παραμείνουν συνδεδεμένα επί αόριστον με τη λυχνία LED αναμμένη. Ο φορτιστής θα διατηρήσει το πακέτο μπαταρίας πλήρως φορτισμένο.

Διαγνωστικά φορτιστή

Εάν ο φορτιστής εντοπίσει μια μπαταρία που είναι εξασθενημένη ή έχει υποστεί ζημιά, η ενδεικτική λυχνία φόρτισης (25) θα αρχίσει να αναβοσβήνει γρήγορα με κόκκινο χρώμα. Προχωρήστε ως εξής:

- ◆ Επανατοποθετήστε την μπαταρία (15).
- ◆ Εάν η ενδεικτική λυχνία φόρτισης συνεχίσει να αναβοσβήνει γρήγορα με κόκκινο χρώμα, χρησιμοποιήστε άλλη μπαταρία για να εξακριβώσετε εάν η διαδικασία φόρτισης εκτελείται σωστά.
- ◆ Εάν η νέα μπαταρία φορτίζεται σωστά, αυτό σημαίνει ότι η αρχική μπαταρία είναι ελαττωματική και θα πρέπει να επιστραφεί σε ένα κέντρο σέρβις για ανακύκλωση.
- ◆ Εάν η νέα μπαταρία δίνει την ίδια ένδειξη με την αρχική μπαταρία, πηγαίετε το φορτιστή για έλεγχο σε ένα εξουσιοδοτημένο κέντρο σέρβις.

ΣΗΜΕΙΩΣΗ: Μπορεί να χρειαστούν μέχρι και 30 λεπτά για να εξακριβωθεί εάν η μπαταρία είναι ελαττωματική. Εάν η μπαταρία είναι αναλόγως θερμή ή πολύ κρύα, η ενδεικτική λυχνία LED θα αναβοσβήνει με κόκκινο χρώμα σε γρήγορο και αργό ρυθμό εναλλάξ, μια αναλαμπή σε κάθε ρυθμό και κατ' επανάληψη.

Τοποθέτηση και αφαίρεση της λεπίδας (Εικ. C)

1. Τραβήξτε το πίσω προστατευτικό και συναρμολογήστε τη λεπίδα πριονιού (6) και την εξωτερική ροδέλα σφιγκτήρα λεπίδων (11) όπως φαίνεται στην Εικόνα C.
2. Πατήστε το κουμπί ασφάλισης άξονα (14) ενώ γυρίζετε το μπουλόνι συγκράτησης της λεπίδας (12) με το εξάγωνο κλειδί (17) έως ότου κουμπώσει η ασφάλεια της λεπίδας και η λεπίδα σταματήσει να περιστρέφεται.

ΣΗΜΕΙΩΣΗ: Το εξάγωνο κλειδί αποθηκεύεται στο πριόνι όπως φαίνεται στην Εικόνα A.

Σφίξτε καλά το μπουλόνι συγκράτησης της λεπίδας με το εξάγωνο κλειδί.

ΣΗΜΕΙΩΣΗ: Το μπουλόνι έχει δεξιόστροφο σπείρωμα. Για να το χαλαρώσετε, γυρίστε αριστερόστροφα. Για να σφίξτε, γυρίστε το προς τα δεξιά.

ΣΗΜΕΙΩΣΗ: Σε καμία περίπτωση μη συμπλέξετε την ασφάλιση της λεπίδας ενώ είναι σε λειτουργία το πριόνι και μην τη συμπλέξετε προσπαθώντας να σταματήσετε το εργαλείο.

Ποτέ μην ενεργοποιείτε το εργαλείο ενώ η ασφάλιση της λεπίδας είναι στη θέση της. Θα προκληθεί σοβαρή ζημιά στο πριόνι.

Υποστήριξη μεγάλων φύλων υλικού / Ασφάλιση του τεμαχίου εργασίας (Εικ. D-G)

Να στηρίζετε μεγάλες επιφάνειες προς κοπή για να ελαχιστοποιηθεί ο κίνδυνος σφηνώματος της λεπίδας πριονιού και ανάδρασης (κλωστήματος). Τα μεγάλα φύλλα τείνουν να πέφτουν κάτω από το βάρος τους όπως φαίνεται στην Εικόνα D.

Υποστηρίγματα πρέπει να τοποθετούνται κάτω από το φύλλο και στις δύο πλευρές, κοντά στη γραμμή κοπής και κοντά στην άκρη του φύλλου (Εικόνα E).



ΠΡΟΕΙΔΟΠΟΙΗΣΗ: Για να μειώσετε τον κίνδυνο τραυματισμού Ποτέ μην κρατάτε το κομμάτι που κόβεται με τα χέρια σας ή το βάλετε απέναντι από το πόδι σας (Εικόνα F).

Ασφαλίστε το τεμάχιο εργασίας σε μια σταθερή πλατφόρμα όπως φαίνεται στην Εικόνα G. Είναι σημαντικό να υποστηρίξετε σωστά το τεμάχιο εργασίας για ελαχιστοποίηση της έκθεσης του σώματος, του μαγκώματος της λεπίδας ή της απώλειας ελέγχου.

Ρύθμιση βάθους κοπής (Εικ. G-I)

Το βάθος κοπής θα πρέπει να ρυθμιστεί ανάλογα με το πάχος του αντικειμένου εργασίας.

1. Χαλαρώστε τον μοχλό ρύθμισης βάθους (13) για να ξεκλειδώσετε το πέλαμα του πριονιού (5).
2. Ευθυγραμμίστε το πέλαμα του πριονιού με το επιθυμητό βάθος κοπής που υποδεικνύεται στα σημάδια της κλίμακας στον ιμάντα βάθους.
3. Ορίστε τη ρύθμιση του βάθους του πριονιού έτσι ώστε ένα δόντι (19) της λεπίδας προβάλλει κάτω από το τεμάχιο εργασίας (20) όπως φαίνεται στην Εικόνα I.
4. Σφίξτε τον μοχλό ρύθμισης βάθους για να ασφαλίσετε το πέλαμα του πριονιού στη θέση του.

Ρύθμιση γωνίας φάλτσας κοπής (Εικ. J)

Το εργαλείο αυτό μπορεί να ρυθμιστεί για γωνίες λοξής κοπής μεταξύ 0° και 56°.

1. Χαλαρώστε τον μοχλό ρύθμισης φάλτσας κοπής (9) για να ξεκλειδώσετε το πέλαμα του πριονιού (5).
2. Μετακινήστε το πέλαμα του πριονιού στην επιθυμητή θέση που αντιστοιχεί στα σημάδια γωνίας κλίσης στην κλίμακα της κλίσης (10).
3. Σφίξτε τον μοχλό ρύθμισης κλίσης για να ασφαλίσετε το πέλαμα του πριονιού στη θέση του.
4. Επιβεβαιώστε την ακρίβεια της ρύθμισης ελέγχοντας την κλίση της κοπής στην πράξη χρησιμοποιώντας ένα άχρηστο κομμάτι υλικού.

Ρύθμιση του πέδιλου για κοπές 90° (Εικ. Κ)

Το πέλαμα (5) έχει ρυθμιστεί από το εργοστάσιο για να εξασφαλιστεί ότι η λεπίδα είναι κάθετη προς το πέλαμα σε ρύθμιση κλίσης 0°.

Εάν απαιτείται επανευθυγράμμιση:

1. Ρυθμίστε το πριόνι σε φалσoγωνία 0°.
2. Ανασύρετε την κάτω προφύλαξη λεπίδας (7).
3. Χαλαρώστε τον μοχλό ρύθμισης της κλίσης (9). Τοποθετήστε μια γωνιά σε επαφή με τη λεπίδα (6) και το πέδιλο (5) για να επιτύχετε τη ρύθμιση 90°.
4. Περιστρέψτε τη βίδα βαθμονόμησης (22) ώστε το πέδιλο να σταματήσει στη σωστή γωνία.
5. Επιβεβαιώστε την ακρίβεια της ρύθμισης ελέγχοντας την καθετότητα της κοπής στην πράξη χρησιμοποιώντας ένα άχρηστο κομμάτι υλικού.

Διακόπτης On/Off (Εικ. Α)

Το πριόνι διαθέτει διακόπτη λειτουργίας ασφάλισης για την αποτροπή ακούσιας ενεργοποίησης του εργαλείου.

1. Για να χειριστείτε το εργαλείο, πατήστε το κουμπί κλειδώματος (2) από οποιαδήποτε πλευρά του πριονιού και κρατήστε το πατημένο καθώς πιέζετε το διακόπτη σκανδάλης (1).
2. Αφού πατήσετε την σκανδάλη και το εργαλείο λειτουργεί, αφήστε το κουμπί κλειδώματος. Το εργαλείο θα συνεχίσει να λειτουργεί όσο πιέζετε τη σκανδάλη.
3. Για να απενεργοποιήσετε το εργαλείο, ελευθερώστε το διακόπτη σκανδάλης.

ΣΗΜΕΙΩΣΗ: Το εργαλείο αυτό δεν έχει πρόβλεψη για ασφάλιση της σκανδάλης στη θέση ενεργοποίησης και ο διακόπτης δεν πρέπει να ασφαρίζεται ποτέ στη θέση ενεργοποίησης με άλλα μέσα.

Αυτόματο ηλεκτρικό φρένο

Το πριόνι σας είναι εξοπλισμένο με ηλεκτρικό φρένο λεπίδας, που σταματά τη λεπίδα πριονιού σε 1-2 δευτερόλεπτα από την απελευθέρωση του διακόπτη σκανδάλης. Αυτό είναι αυτόματο και δεν απαιτεί καμία προσαρμογή.

ΚΑΤΩ ΠΡΟΦΥΛΑΚΤΗΡΑΣ ΛΕΠΙΔΑΣ

ΠΡΟΕΙΔΟΠΟΙΗΣΗ: Κίνδυνος κοιμμάτων. Ο κάτω προφυλακτήρας λεπίδας είναι ένα χαρακτηριστικό ασφαλείας με το οποίο μειώνεται ο κίνδυνος σοβαρού τραυματισμού. Σε καμία περίπτωση μη χρησιμοποιήσετε το πριόνι αν ο κάτω προφυλακτήρας λείπει, έχει υποστεί ζημία, αν δεν έχει συναρμολογηθεί σωστά ή αν δεν λειτουργεί σωστά. Μη βασίζεστε στον κάτω προφυλακτήρα λεπίδας για προστασία σας υπό κάθε συνθήκη. Η ασφάλειά σας εξαρτάται από την τήρηση όλων των προειδοποιήσεων και των προφυλάξεων καθώς και από το σωστό χειρισμό του πριονιού. Ελέγχετε ότι ο κάτω προφυλακτήρας έχει κλείσει σωστά πριν από κάθε χρήση, όπως περιγράφεται στο τμήμα

Οδηγίες ασφαλείας για όλα τα πριόνια. Αν ο κάτω προφυλακτήρας της λεπίδας λείπει ή δεν λειτουργεί σωστά, δώστε το πριόνι για σέρβις πριν τη χρήση του. Για να διασφαλίσετε την ασφάλεια και την αξιοπιστία του προϊόντος, οι εργασίες επισκευής, συντήρησης και ρύθμισης θα πρέπει να εκτελούνται από εξουσιοδοτημένο κέντρο σέρβις ή άλλο εξειδικευμένο οργανισμό σέρβις, με χρήση πάντα ακριβώς ίδιων ανταλλακτικών με τα εξαρτήματα που αντικαθίστανται.



ΠΡΟΕΙΔΟΠΟΙΗΣΗ: Για να ελαχιστοποιήσετε τον κίνδυνο τραυματισμού των ματιών, χρησιμοποιείτε πάντα μέσα προστασίας των ματιών. Το καρβίδιο είναι σκληρό αλλά εύθραυστο υλικό. Ξένα αντικείμενα μέσα στο τεμάχιο εργασίας όπως σύρμα ή καρφιά μπορούν να προκαλέσουν ράγισμα ή θραύση των μυτών της λεπίδας. Χρησιμοποιείτε το πριόνι μόνον όταν έχει τοποθετηθεί κατάλληλος προφυλακτήρας στη λεπίδα πριονιού. Τοποθετήστε τη λεπίδα σταθερά σε κατάλληλη κατεύθυνση περιστροφής πριν τη χρησιμοποιήσετε, και πάντα να χρησιμοποιείτε μια καθαρή, αιχμηρή λεπίδα.



ΠΡΟΕΙΔΟΠΟΙΗΣΗ: Για να μειώσετε τον κίνδυνο τραυματισμού, είναι σημαντικό να υποστηρίξετε σωστά το τεμάχιο εργασίας και να κρατάτε το πριόνι σταθερά, για να αποτρέψετε απώλεια του ελέγχου που θα μπορούσε να προκαλέσει τραυματισμό. Η εικόνα L απεικονίζει την τυπική στήριξη χεριών.



ΠΡΟΕΙΔΟΠΟΙΗΣΗ: Για να μειώσετε τον κίνδυνο τραυματισμού, διαβάστε, κατανοήστε και ακολουθήστε όλες τις σημαντικές προειδοποιήσεις και οδηγίες ασφαλείας πριν από τη χρήση του εργαλείου.

Επιλογή λεπίδας

Το κυκλικό σας πριόνι έχει σχεδιαστεί για χρήση με λεπίδες διαμέτρου 190 mm που έχουν οπή διαμέτρου 30 mm. Οι λεπίδες πρέπει να έχουν ονομαστική ισχύ 6000 RPM (ή υψηλότερη). ΜΗ χρησιμοποιήσετε κανενός είδους τροχούς λείανσης.

Γενικές κοπές

ΠΡΟΕΙΔΟΠΟΙΗΣΗ: Για να μειώσετε τον κίνδυνο τραυματισμού, αφαιρέστε την μπαταρία και ακολουθήστε όλες τις οδηγίες συναρμολόγησης, και ρύθμισης.

Βεβαιωθείτε ότι λειτουργεί το κάτω προστατευτικό κάλυμμα. Επιλέξτε την κατάλληλη λεπίδα για το υλικό που πρόκειται να κόψετε.

- Μετρήστε και επισημάνετε την εργασία για κοπή.
- Υποστηρίξτε και ασφαλίστε την εργασία σωστά (ανατρέξτε στην ενότητα **Υποστήριξη μεγάλων φύλων υλικού / Ασφάλιση του τεμαχίου εργασίας**).

- Χρησιμοποιήστε τον κατάλληλο και απαιτούμενο εξοπλισμό ασφαλείας (βλ **Πρόσθετες πληροφορίες ασφαλείας**).
- Ασφαλίστε και συντηρήστε τον χώρο εργασίας (ανατρέξτε στην ενότητα **Οδηγίες ασφαλείας για όλα τα πριόνια**).
- Με την μπαταρία τοποθετημένη, βεβαιωθείτε ότι ο διακόπτης ενεργοποιεί και απενεργοποιεί το πριόνι.

Πριόνισμα



ΠΡΟΕΙΔΟΠΟΙΗΣΗ: Για να μειώσετε τον κίνδυνο σοβαρού τραυματισμού, κρατάτε πάντα το εργαλείο και με τα δύο χέρια.

- Διατηρείτε το σώμα σας σε μία από τις δύο πλευρές της λεπίδας, αλλά όχι σε ευθεία με τη λεπίδα του πριονιού. Η ανάδραση θα μπορούσε να κάνει το πριόνι να πηδήξει προς τα πίσω. Ανατρέξτε στις **Περισσότερες οδηγίες ασφαλείας για όλα τα πριόνια και Αιτίες κλωστήματος και συναφείς προειδοποιήσεις**.
- Αφήντε τη λεπίδα να κινείται ελεύθερα για λίγα δευτερόλεπτα πριν αρχίσετε την κοπή.
- Κατά την εκτέλεση της κοπής, εφαρμόζετε μόνο μικρή πίεση στο εργαλείο.
- Εργαστείτε με το πέδιλο να πιέζεται πάνω στο τεμάχιο εργασίας.

Συμβουλές για άριστη χρήση

- Επειδή δεν μπορείτε να αποφύγετε κάποιες σχίξεις κατά μήκος της γραμμής κοπής στην επάνω πλευρά του αντικειμένου, κόψτε από την πλευρά που είναι αποδεκτές οι σχίξεις.
- Σε περιπτώσεις που πρέπει να ελαχιστοποιηθούν οι σχίξεις, π.χ. κατά την κοπή καπλαμάδων, σφίξτε ένα κομμάτι κόντρα πλακέ επάνω στην άνω επιφάνεια του αντικειμένου.

Κοπή εσωτερικού ανοίγματος (Εικ. Μ)



ΠΡΟΕΙΔΟΠΟΙΗΣΗ: Ποτέ μην προσδέσετε τον προφυλακτήρα λεπίδας σε ανυψωμένη θέση. Ποτέ μην κινήσετε το πριόνι προς τα πίσω όταν εκτελείτε κοπή εσωτερικού ανοίγματος. Έτσι μπορεί να προκληθεί ανύψωση της μονάδας από το τεμάχιο εργασίας με ενδεχόμενο αποτέλεσμα τον τραυματισμό.

Μια κοπή εσωτερικού ανοίγματος είναι εκείνη που γίνεται όταν η άκρη του υλικού δεν ωθεί το κάτω προστατευτικό κάλυμμα να ανοίξει, αλλά το κάτω άκρο της περιστρεφόμενης λεπίδας κόβει στο μέσον του υλικού.

1. Ρυθμίστε το πέδιλο (5) έτσι ώστε η λεπίδα να κόβει το επιθυμητό βάθος.
2. Γείρετε το πριόνι προς τα εμπρός και ακουμπήστε το μπροστινό μέρος του πέδilu του πάνω στο υλικό που πρόκειται να κοπεί.
3. Χρησιμοποιώντας το μοχλό ανάσχυσης, ανασύρετε τον κάτω προφυλακτήρα της λεπίδας σε μια προς τα πάνω θέση.

4. Χαμηλώστε το πίσω μέρος του πέδilu έως ότου τα δόντια της λεπίδας σχεδόν να αγγίζουν τη γραμμή κοπής.
5. Ελευθερώστε τον προφυλακτήρα της λεπίδας (η επαφή του με το τεμάχιο εργασίας θα τον διατηρήσει σε θέση ώστε να ανοίγει ελεύθερα καθώς ξεκινάτε την κοπή). Πάρτε το χέρι από το μοχλό προφυλακτήρα και κρατήστε σταθερά τη δευτερεύουσα λαβή (4), όπως δείχνει η Εικόνα Μ. Τοποθετήστε το σώμα σας και το βραχιόνι σας ώστε να μπορείτε να αντισταθείτε σε ανάδραση αν τυχόν προκύψει.
5. Βεβαιωθείτε ότι η λεπίδα δεν είναι σε επαφή με την επιφάνεια κοπής, πριν θέσετε σε λειτουργία το πριόνι.
6. Ξεκινήστε τον κινήτρα, αφήστε το πριόνι να έρθει σε πλήρη ταχύτητα και στη συνέχεια χαμηλώστε σταδιακά το πριόνι έως ότου το πέδιλο του ακουμπήσει στο υλικό που πρόκειται να κοπεί. Προχωρήστε το πριόνι κατά μήκος της γραμμής κοπής έως ότου ολοκληρωθεί η κοπή.
7. Απελευθερώστε τη σκανδάλη και επιτρέψτε στη λεπίδα να σταματήσει τελείως, πριν αποσύρετε τη λεπίδα από το υλικό.
8. Όταν ξεκινάτε κάθε νέα κοπή, επαναλάβετε όπως αναφέρεται πιο πάνω.

ΔΙΑΜΗΚΗΣ ΚΟΠΗ

Ένας οδηγός κοπής παρέχεται μαζί με το εργαλείο σας. Διαμήκης κοπή είναι η εργασιακή κοπή πλατύτερων σανιδών σε πιο στενές λωρίδες – κοπή κατά μήκος των νερών. Η καθοδήγηση με το χέρι είναι πιο δύσκολη για αυτόν τον τύπο κοπής με το πριόνι και επομένως συνιστάται η χρήση του οδηγού κοπής.

Απομάκρυνση σκόνης



ΠΡΟΕΙΔΟΠΟΙΗΣΗ: Κίνδυνος εισπνοής σκόνης. Για να μειώσετε τον κίνδυνο σωματικής βλάβης, **ΠΑΝΤΑ** φοράτε εγκεκριμένη μάσκα προστασίας από σκόνη.



ΠΡΟΕΙΔΟΠΟΙΗΣΗ: **ΠΑΝΤΑ** όταν κόβετε ξύλο, χρησιμοποιείτε διάταξη εξαγωγής σκόνης με αναρρόφηση, σχεδιασμένη σύμφωνα με τις εφαρμοσμένες Οδηγίες που αφορούν την εκπομπή σκόνης. Οι εύκαμπτοι σωλήνες αναρρόφησης από τις περισσότερες ηλεκτρικές σκούπες μπορούν να προσαρμοστούν απ' ευθείας στην έξοδο εξαγωγής σκόνης.

Το εργαλείο σας συνοδεύεται από στόμιο εξαγωγής σκόνης (18). Το στόμιο εξαγωγής σκόνης σας επιτρέπει να συνδέσετε το εργαλείο σε εξωτερικό απορροφητήρα σκόνης.

Συντήρηση

Αυτό το εργαλείο STANLEY FATMAX έχει σχεδιαστεί έτσι ώστε να λειτουργεί για μεγάλο χρονικό διάστημα με την ελάχιστη δυνατή συντήρηση. Η συνεχής ικανοποιητική λειτουργία του εργαλείου εξαρτάται από τη σωστή φροντίδα και τον τακτικό καθαρισμό του.

Ο φορτιστής σας δεν χρειάζεται οποιαδήποτε συντήρηση πέραν του τακτικού καθαρισμού.



Προειδοποίηση! Πριν πραγματοποιήσετε κάποια συντήρηση στο εργαλείο, αφαιρέστε την μπαταρία από το εργαλείο. Αποσυνδέστε τον φορτιστή από την πρίζα πριν τον καθαρίσετε.

- Να καθαρίζετε τακτικά τις εγκοπές αερισμού του εργαλείου και του φορτιστή με μια μαλακή βούρτσα ή με ένα στεγνό πανί.
- Καθαρίζετε τακτικά το περίβλημα του μοτέρ με ένα ελαφρά υγρό πανί.
Μην χρησιμοποιείτε λειαντικά υγρά καθαρισμού ή καθαριστικά που περιέχουν διαλυτικά.

Προστασία του περιβάλλοντος



Χωριστή συλλογή. Τα προϊόντα και οι μπαταρίες που επισημαίνονται με αυτό το σύμβολο δεν πρέπει να απορρίπτονται μαζί με τα κανονικά οικιακά απορρίμματα.

Τα προϊόντα και οι μπαταρίες περιέχουν υλικά που μπορούν να ανακτηθούν ή να ανακυκλωθούν ώστε να μειωθούν οι ανάγκες για πρώτες ύλες. Παρακαλούμε να ανακυκλώνετε τα ηλεκτρικά προϊόντα και τις μπαταρίες σύμφωνα με τους τοπικούς κανονισμούς. Περισσότερες πληροφορίες διατίθενται στον ιστότοπο www.2helpU.com

Τεχνικά χαρακτηριστικά

		SFMC550
Τάση εισόδου	V _{dc}	18
Ταχύτητα χωρίς φορτίο	min ⁻¹	5.000
Μέγιστο βάθος κοπής	mm	65
Μέγ. βάθος κοπής για λοξή γωνία κοπής 45°	mm	50
Διάμετρος λεπίδας	mm	190
Οπή λεπίδας	mm	30
Πλάτος μυτιών λεπίδας	mm	1,8
Βάρος	kg	3,2
L _{PA} (ηχητική πίεση) 84,5 dB(A), Αβεβαιότητα (Κ) 3 dB(A)		
L _{WA} (ηχητική πίεση) 95,5 dB(A), Αβεβαιότητα (Κ) 3 dB(A)		
Συνολικές τιμές κραδασμών (διανυσματικό άθροισμα τριών αξόνων) κατά EN 62841:		
Κοπή ξύλου (a _{h, W}) 1.4 m/s ² , αβεβαιότητα (Κ) 1.5 m/s ²		
Φορτιστής		SFMCB11/SFMCB12/SFMCB14
Τάση εισόδου	V _{ac}	230
Τάση εξόδου	V _{dc}	18
Ρεύμα	A	1.25/2.0/4.0
Μπαταρία		SFMCB201/202/204/206
Τάση	V _{dc}	18
Χωρητικότητα	Ah	1.5/2.0/4.0/6.0
Τύπος		Ιόντων λιθίου

Δήλωση συμμόρφωσης ΕΚ

ΟΔΗΓΙΑ ΠΕΡΙ ΜΗΧΑΝΗΜΑΤΩΝ



SFMC550 Δυσκοπρίονο

H STANLEY FATMAX δηλώνει ότι τα προϊόντα αυτά που περιγράφονται στα "τεχνικά χαρακτηριστικά" συμμορφώνονται με τα ακόλουθα: EN62841-1:2015, EN62841-2-5:2014.

Αυτά τα προϊόντα συμμορφώνονται επίσης με την Οδηγία 2006/42/ΕΚ, 2014/30/ΕΕ και 2011/65/ΕΕ. Για περισσότερες πληροφορίες, επικοινωνήστε με την STANLEY FATMAX στην παρακάτω διεύθυνση ή να ανατρέξετε στο πίσω μέρος του εγχειριδίου.

Ο κάτωθι υπογεγραμμένος είναι υπεύθυνος για την κατάρτιση του τεχνικού φακέλου και δηλώνει τα παρόντα εκ μέρους της STANLEY FATMAX.

Ed Higgins

Διευθυντής - Ηλεκτρικά εργαλεία καταναλωτών
STANLEY FATMAX Europe, Egide Walschaertsstraat 14-18,
2800 Mechelen, Βέλγιο
25/11/2019

Εγγύηση

H STANLEY FATMAX είναι σίγουρη για την ποιότητα των προϊόντων της και προσφέρει στους καταναλωτές εγγύηση 12 μηνών από την ημερομηνία αγοράς. Αυτή η εγγύηση αποτελεί πρόσθετο δικαίωμά σας και δεν ζημιώνει τα νόμιμα δικαιώματά σας. Η εγγύηση ισχύει εντός της επικράτειας των χωρών μελών της Ευρωπαϊκής Ένωσης και της Ευρωπαϊκής Ζώνης Ελευθέρων Συναλλαγών.

Για να υποβάλετε αξίωση βάσει της εγγύησης, η αξίωση θα πρέπει να είναι σύμφωνη με τους Όρους και τις Προϋποθέσεις της STANLEY FATMAX και θα χρειαστεί να υποβάλετε απόδειξη αγοράς στον πωλητή ή σε εξουσιοδοτημένο αντιπρόσωπο επισκευών.

Μπορείτε να αποκτήσετε τους Όρους και προϋποθέσεις της εγγύησης STANLEY FATMAX 1 έτους και να μάθετε την τοποθεσία του πλησιέστερου εξουσιοδοτημένου αντιπροσώπου επισκευών στο Internet στο www.2helpU.com, ή επικοινωνώντας με το τοπικό σας γραφείο STANLEY FATMAX στη διεύθυνση που υποδεικνύεται στο παρόν εγχειρίδιο.

Επισκεφθείτε τον ιστότοπό μας www.stanleytools.eu/3 για να καταχωρίσετε το καινούργιο προϊόν STANLEY FATMAX που αποκτήσατε και για να λαμβάνετε ενημερώσεις σχετικά με νέα προϊόντα και ειδικές προσφορές.

België/Belgique	Stanley Fat Max E. Walschaertstraat 14-16 2800 Mechelen Belgium	De. Tel. +32 70 220 065 Fr. Tel. +32 70 220 066 Fax +32 15 473 799 www.stanleytools.eu Enduser.be@SBDinc.com
Danmark	Stanley Fat Max Farveland 1B 2600 Glostrup	Tel. 70 20 15 10 Fax 70 22 49 10 www.stanleyworks.dk
Deutschland	Stanley Fat Max Richard Klinger Str. 11, D - 65510 Idstein	Tel. 06126 21-1 Fax 06126 21-2770
Ελλάδα	Stanley Fat Max. Στράβωνος 7 & Λεωφ. Βουλιαγμένης 159 Γλυφάδα 166 74 - Αθήνα	Τηλ. +30 210 8981-616 Φαξ +30 210 8983-285 www.stanleyworks.gr
España	Stanley Fat Max. Parc de Negocis "Mas Blau" Edificio Muntadas, c/Bergadá, 1, Of. A6 08820 El Prat de Llobregat (Barcelona)	Tel. 934 797 400 Fax 934 797 419 respuesta.postventa@sbdinc.com www.stanleyworks.es
France	Stanley Fat Max 5 allée des Hêtres B.P. 30084 69579 Limonest Cédex	Tel. 04 72 20 39 20 Fax 04 72 20 39 00 www.stanleyouillage.fr
Helvetia	Stanley Fat Max In der Luberzen 40 8902 Urdorf	Tel. 01 730 67 47 Fax 01 730 70 67 www.stanleyworks.de
Italia	Stanley Fat Max EnergyPark-Building 03 sud, Via Monza 7/A 20871 Vimercate (MB)	Tel. 039-9590200 Fax 039-9590313 www.stanley.it
Nederland	Stanley Fat Max Joulehof 12, 4600 RG Bergen op Zoom	Tel. +31 164 283 065 Fax +31 164 283 200 Enduser.NL@SBDinc.com
Norge	Stanley Fat Max Postboks 4613, Nydalen 0405 Oslo	Tlf. 45 25 13 00 Fax 45 25 08 00
Österreich	Stanley Fat Max Oberlaaerstraße 248, A-1230 Wien	Tel. 01 66116-0 Fax 01 66116-614 www.stanleyworks.de
Portugal	Stanley Fat Max Centro de Escritórios de Sintra Avenida Almirante Gago Coutinho, 132/134, Edifício 142710-418 Sintra 2710-418 Lisboa	Tel. 214667500 Fax 214667575 resposta.posvenda@sbdinc.com
Suomi	Stanley Fat Max Tekniikantie 12, 02150 Espoo	Puh. 010 400 430 Faksi 0800 411 340 www.stanleyworks.fi
Sverige	Stanley Fat Max Box 94, 431 22 Mölndal	Tel. 031-68 61 00 Fax 031-68 60 08
Türkiye	Stanley Fat Max KALE Hırdavat ve Makina A.Ş. Defterdar Mah. Savaklar Cad. No:15 Edirnekapı / Eyüp / İSTANBUL 34050	Puh. 0212 533 52 55 Faks 0212 533 10 05 www.stanleyworks.fi
United Kingdom	Stanley Fat Max 270 Bath Road Slough, Berkshire SL1 4DX	Tel. +44 (0)1753 511234 Fax +44 (0)1753 551155 www.stanleytools.co.uk
Middle East & Africa	Stanley Fat Max P.O.Box - 17164 Jebel Ali (South Zone), Dubai, UAE	Tel. +971 4 8127400 Fax +971 4 8127036 www.stanleyworks.ae